

A collection of Miller welding tools and parts is displayed against a dark grey background. The tools include a blue Miller torch with a copper nozzle, a black torch with a copper nozzle, a pair of copper tongs, a black torch handle with "UT-40 CE" printed on it, and several small brass and silver fittings. A thick black cable is also visible.

Parts Catalog | **2016**
MillerWelds.com

Phone: 1 (866) 931-9730 | Fax: 1 (800) 637-2315

MILLER SIGNATURE SERVICE PERFORMANCE YOU CAN COUNT ON...

Welcome to the 2016 Parts Catalog! Once again there are many additions that have been made to Miller's product line as a direct response to your customers' needs. For all the latest product and promotional information, stay tuned to MillerWelds.com.

Once you've had a chance to look through this year's edition, take advantage of the total convenience of one-stop shopping from Miller Service parts by utilizing our "Call Teams" listed below. Your order will then be processed by the most responsive parts delivery system in the business: Signature Service: Warranty and replacement parts support so good... it's guaranteed!

Miller Service Parts — Phone 1-866-931-9730, then depending on your needs:

| | | | |
|------------------------------|---|--|------------------------------------|
| Option 1 | This option will get you to our experts in Customer Service. Here our team can help you with placing an order, checking status of previous orders, returning a product, and availability of product. Customer Service can also check orders or availability for TIG torches and oxy-fuel related items. | | |
| Option 2 | Select this option for assistance with determining which machine or accessories will work with your job or application. You can obtain help with safety products, helmets, Oxy Fuel Systems, Regulators, TIG torches and accessories, and with looking up part numbers. | | |
| Option 2 Sub-Menu | 1 Machines & Accessories 4 Oxy Fuel Systems & Regulators | 2 Parts Look-Up 5 TIG Torches | 3 Safety Products & Helmets |
| Option 3 | If you are looking for service warranty information or technical guidance with your Miller Machine this is the option that will get you help. After pressing 3, you will then be connected to one of our friendly switchboard team members. They will direct you to the correct area that can assist you. | | |
| Option 8 | This option allows you to look up a person by name. Simply speak the persons first and last name, confirm that you have the correct person, and you will be automatically connected! | | |
| Option 0 | If you are unsure of which option to choose, you can press 0 and be connected with an operator who can direct your call. | | |

Signature Service 24-Hour Performance Pledge for In-Stock Items

For participating distributors, we promise to ship all in-stock items within 24 hours, or we'll upgrade to Next Day UPS at no charge.¹ This saves time for you and your customer, and reduces your expediting costs, too.

Warranty Parts Shipped Second Day UPS

We ship all available items the same day your order is received. And where applicable, we upgrade all shipments up to 35 lb to Second Day UPS, free of charge.¹

Signature Service Parts Orders Shipped Second Day UPS

Where applicable, we upgrade all requested shipments up to 35 lb to Second Day UPS, free of charge.¹ As an added enhancement, all Signature Service back orders are now shipped Second Day UPS!

90% Fill Rates Save You Time and Money

90% first pass factory fill rates reduce back orders, and saves you a lot of receiving and accounts payable activity.

Miller's Rapid Response Helps Control Your Bottom Line

With our 24-hour response and fast shipping of in-stock parts, you don't have to stock large quantities of items to meet demand — just order as you need them! Your cash spends more time in your pocket and less time "on the shelf," reducing your overall inventory costs, or use the same dollars to stock a much greater variety of parts.

45-Day Return Policy Eliminates Excess Inventory

Our liberal 45-day return policy on standard items lets you return overages and items that are ordered in error at no charge.

¹Based on UPS standard ground delivery schedules, Second Day & Next Day upgrades aren't applicable in these states: IA, IL, IN, KY, MI, MN, MO, OH, TN, WI and WV.

SERIAL NUMBER REFERENCE

The letters of the serial numbers are very significant. Please supply the letters along with the numbers.

| Yr/Month | Serial # | Style # | Yr/Month | Serial # | Style # |
|-----------|-----------|---------|-----------|-----------------------|---------|
| 1968/Jan. | T-436102 | T1 | 1999/July | KK173909 | KK26 |
| 1968/July | T-452888 | T6 | 2000/Jan. | LA000200 | LA01 |
| 1969/Jan. | U-472600 | U1 | 2000/July | LA210095 | LA27 |
| 1969/July | U-493984 | U6 | 2001/Jan. | LB000200 | LB01 |
| 1970/Jan. | W-517910 | W1 | 2001/July | LB195125 | LB26 |
| 1970/July | 70-539663 | 70-6 | 2002/Jan. | LC000201 | LC01 |
| 1971/Jan. | 71-559155 | 71-1 | 2002/July | LC230270 | LC26 |
| 1971/July | 71-581468 | 71-6 | 2003/Jan. | LC361720 | LD01 |
| 1972/Jan. | 72-604096 | 72-1 | 2003/July | LC528000 ² | LD26 |
| 1972/July | 72-626994 | 72-6 | 2004/Jan. | LE020006 | LE02 |
| 1973/Jan. | HD655498 | HD1 | 2004/July | LE260001 | LE26 |
| 1973/July | HD689465 | HD6 | 2005/Jan. | LF010001 | LF01 |
| 1974/Jan. | HE730188 | HE1 | 2005/July | LF260001 | LF26 |
| 1974/July | HE778187 | HE6 | 2006/Jan. | LG010001 | LG01 |
| 1975/Jan. | HF821067 | HF1 | 2006/July | LG260001 | LG26 |
| 1975/July | HF860240 | HF6 | 2007/Jan. | LH010001 | LH01 |
| 1976/Jan. | HG000500 | HG1 | 2007/July | LH260001 | LH26 |
| 1976/July | HG044257 | HG6 | 2008/Jan. | LJ010001 | LJ01 |
| 1977/Jan. | HH000500 | HH1 | 2008/July | LJ260001 | LJ26 |
| 1977/July | HH050101 | HH6 | 2009/Jan. | LK010001 | LK01 |
| 1978/Jan. | HJ106001 | HJ1 | 2009/July | LK260001 | LK26 |
| 1978/July | HJ169391 | HJ6 | 2010/Jan. | MA010001 | MA01 |
| 1979/Jan. | HK220001 | HK1 | 2010/July | MA260001 | MA26 |
| 1979/July | HK286000 | HK27 | 2011/Jan. | MB010001 | MB01 |
| 1980/Jan. | JA356001 | JA1 | 2011/July | MB260001 | MB26 |
| 1980/July | JA410000 | JA28 | 2012/Jan. | MC010001 | MC01 |
| 1981/Jan. | JB465001 | JB1 | 2012/July | MC0270001 | MC27 |
| 1981/July | JB522459 | JB26 | 2013/Jan. | MD010001 | MD01 |
| 1982/Jan. | JC585001 | JC1 | 2013/July | MD270001 | MD27 |
| 1982/July | JC626075 | JC26 | 2014/Jan. | ME010001 | ME01 |
| 1983/Jan. | JD660001 | JD1 | 2014/July | ME2700001 | ME27 |
| 1983/July | JD688500 | JD26 | 2015/Jan. | MF010001 | MF01 |
| 1984/Jan. | JE732465 | JE1 | 2015/July | MF270001 | MF27 |
| 1984/July | JE783729 | JE27 | 2016/Jan. | MG010001 | MG01 |
| 1985/Jan. | JF835606 | JF1 | 2016/July | MG280001 | MG28 |
| 1985/July | JF905000 | JF26 | | | |
| 1986/Jan. | JG000500 | JG1 | | | |
| 1986/July | JG071437 | JG26 | | | |
| 1987/Jan. | JH146311 | JH16 | | | |
| 1987/July | JH229162 | JH41 | | | |
| 1988/Jan. | JJ319663 | JJ15 | | | |
| 1988/July | JJ413787 | JJ41 | | | |
| 1989/Jan. | JK529151 | JK15 | | | |
| 1989/July | JK636569 | JK41 | | | |
| 1990/Jan. | KA737051 | KA15 | | | |
| 1990/July | KA824820 | KA41 | | | |
| 1991/Jan. | KB000500 | KB15 | | | |
| 1991/July | KB089898 | KB41 | | | |
| 1992/Jan. | KC170500 | KC15 | | | |
| 1992/July | KC262180 | KC41 | | | |
| 1993/Jan. | KD341750 | KD15 | | | |
| 1993/July | KD449472 | KD41 | | | |
| 1994/Jan. | KE550001 | KE01 | | | |
| 1994/July | KE668695 | KE26 | | | |
| 1995/Jan. | KF780420 | KF01 | | | |
| 1995/July | KF923923 | KF26 | | | |
| 1996/Jan. | KG041900 | KG01 | | | |
| 1996/July | KG173969 | KG26 | | | |
| 1997/Jan. | KH300251 | KH01 | | | |
| 1997/July | KH438994 | KH26 | | | |
| 1998/July | KJ000100 | KJ01 | | | |
| 1998/July | KJ165696 | KH26 | | | |
| 1999/Jan. | KK000100 | KK01 | | | |

Letter Business





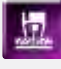







| | |
|---|--------------------------------|
| A | Advanced Technologies Prod. |
| B | Light Industrial Products |
| C | 3-Phase Industrial Products |
| E | Industrial Engine Driven Prod. |
| F | ITW Cooling Systems |
| G | Pipe Welding Products |
| H | Portable Power Products |
| K | Component Products |
| L | TIG Industrial Products |
| M | Fast Switch Products |
| N | Small Integrated MIG Systems |
| P | Plasma Products |
| Q | Performance Engine Drive |
| R | Commercial Power Products |
| S | WCC/Parts Business |
| T | Tregakiss |
| U | Advanced Manufacturing Sys. |
| W | Wire Feed Systems |
| Y | Troy Equipment |
| Z | Other |

Some serial numbers STARTING in 2003 have a letter at the end of the serial number. See chart below for business unit letter designations. Serial number example: LG360937P

LG = 2006, 36 = Week 36, 0937 = Item 937 manufactured in week 36, P = manufactured by Plasma Products

²Maxstar 150 models used the LD serial number prefix in 2003. Note: Style number replaces serial numbers on some models.

Contents

| | | | |
|------------|---|--|-----|
| 4 |  | Welding Protection | |
| | | Head and Face | 4 |
| | | Heat Stress and Respiratory | 8 |
| 11 |  | MIG Guns | |
| | | Miller MIG Gun/Machine Reference | 11 |
| | | M-Series MIG Gun Parts/Consumables | 12 |
| | | Roughneck MIG Gun Parts/Consumables | 17 |
| | | Bernard MIG Gun Parts/Consumables | 19 |
| | | Pipeworx MIG Gun Parts/Consumables | 24 |
| | | PipePro Dura-Flux XC Parts/Consumables | 25 |
| | | Bernard MIG S-Gun Parts/Consumables | 26 |
| | | Bernard Dura-Flux Parts/Consumables | 27 |
| | | Ironmate Flux Cored Gun Parts/Consumables | 28 |
| | | Hobart MIG Gun/Machine Reference | 31 |
| | | Hobart MIG Gun Parts/ Reference | 31 |
| | | Millermatic Service Parts | 35 |
| 36 |  | Spool Guns | |
| | | Miller Spool Gun Parts/Consumables | 36 |
| 46 |  | Drive Rolls | |
| | | Miller Drive Rolls, Guides and Kits | 46 |
| | | Hobart Drive Rolls, Guides and Kits | 50 |
| 52 |  | Submerged Arc | |
| | | Torch Parts/Consumables | 52 |
| 55 |  | Plasma Cutting | |
| | | Plasma Torches/Machine Reference | 55 |
| | | XT Torch Parts/Consumables | 58 |
| | | ICE Torch Parts/Consumables | 62 |
| | | HP Torch Parts/Consumables | 73 |
| 74 |  | Gas Equipment | |
| | | Hose Fittings | 74 |
| | | Pressure Gauges & Filters | 71 |
| | | Gas Hoses | 72 |
| | | Repair Parts | 77 |
| | | Smith Equipment | 78 |
| 84 |  | Engine Drives | |
| | | Portable Engine Drive Service Parts | 84 |
| | | Portable Engine Drive Tune-Up Components | 85 |
| | | Industrial Engine Drive Tune-Up Kit Components | 89 |
| 91 |  | Spot Welders | |
| | | Tongs and Tips | 91 |
| 93 |  | TIG Torches | |
| | | TIG Connectors | 93 |
| | | Weldcraft TIG Torch Parts/Consumables | 94 |
| 115 |  | Welding Related Products | |
| | | Paint/Scrubs/Welpers | 115 |
| 116 |  | Service Parts | |
| | | Connectors/Plugs/Receptacles | 116 |
| | | Cable Connectors | 118 |
| | | Electrode Holders/Work Clamps | 120 |
| | | Labels | 121 |
| | | Power Terminal Parts/Receptacles and Plugs | 122 |
| | | True Blue Warranty | 123 |

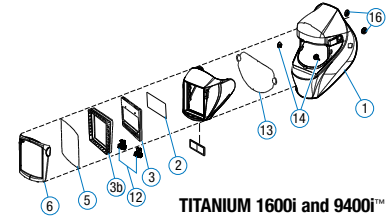
WELDING PROTECTION

Titanium Series™

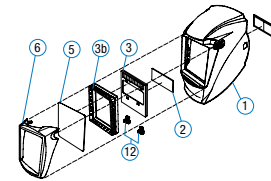
| Item # | Description | TITANIUM 1600™ | TITANIUM 1600i™ | TITANIUM 7300™ | | TITANIUM 9400™ | | TITANIUM 9400i™ | |
|--------|--|----------------|-----------------|----------------|------------|----------------|------------|-----------------|------------|
| | | | | ANALOG | DIGITAL | ANALOG | DIGITAL | ANALOG | DIGITAL |
| 1 | Helmet Shell, Titanium (QR) | 243530 | 245820 | 243530 | 258601 | 243530 | 258601 | 245820 | 245820 |
| 2 | Inside Lens Cover (5 1/4 x 4 1/2 in) (5-Pkg) | 235628 | 235628 | - | - | - | - | - | - |
| | Inside Lens Cover (4 1/4 x 2 in) (5-Pkg) | - | - | 770237 | 770237 | - | - | - | - |
| | Inside Lens Cover (4 1/4 x 2 1/2 in) (5-Pkg) | - | - | - | - | 216327 | 216327 | 216327 | 216327 |
| 3 | Auto-Darkening Lens Assembly | - | - | 245816 | 256358 | 245817 | 256359 | 245817 | 256360 |
| | Filter Plate | 235630 | 235630 | - | - | - | - | - | - |
| 3b | Gasket, Lens Assembly (QR) | 245813 | 245813 | 245814 | 241977 | 241977 | 241977 | 241977 | 241977 |
| 5 | Front Lens Cover (4 11/16 x 5 5/8 in) (5-Pkg) | 216326 | 216326 | 216326 | 216326 | 216326 | 216326 | 216326 | 216326 |
| 6 | Front Lens Holder, Titanium | 243396 | 245815 | 243396 | 243396 | 243396 | 243396 | 245815 | 245815 |
| 8 | Ratchet Headgear Assembly (Includes #9 & #10) | 770246 | 770246 | 770246 | 256174 | 770246 | 256174 | 770246 | 256174 |
| 9 | Adjustment Angle/Stop Hardware Kit | 770248 | 770248 | 770248 | 256178 | 770248 | 256178 | 770248 | 256178 |
| 10 | Fabric Headband | 770249 | 770249 | 770249 | 770249 | 770249 | 770249 | 770249 | 770249 |
| | Replacement O-Rings For Kits 258178 & 770248 (5 Per Pkg) | 079975 | 079975 | 079975 | 079975 | 079975 | 079975 | 079975 | 079975 |
| 11 | Comfort Cushion | 216336 | 216336 | 216336 | - | 216336 | - | 216336 | - |
| 12 | Battery Tray, Kit (Left/Right) | - | - | 216339 | 216339 | 216339 | 216339 | 216339 | 216339 |
| | Battery, Lithium CR2450 (Not Shown) | - | - | 217043 | 217043 (2) | 217043 (2) | 217043 (2) | 217043 (2) | 217043 (2) |
| 13 | Lens, Grinding Shield (Clear) | - | 245818 | - | - | - | - | 245818 | 245818 |
| 14 | Clips, Retaining Grinding Shield | - | 245819 | - | - | - | - | 245819 | 245819 |
| 15 | Button, Replacement External Grind | - | - | - | 256179 | - | 256179 | - | - |
| 16 | Clips, Visor Hinge (I-Series Shell) | - | 255070 | - | - | - | - | 255070 | 255070 |
| 17 | Lens Tear-Off, Grind Shield (Clear) (Not Shown) | - | 254278 | - | - | - | - | 254278 | 254278 |
| 18 | Kit, Weld Shield Hinge | - | 269929 | - | - | - | - | 269929 | 269929 |



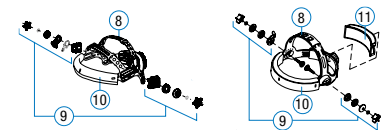
9400i™ 256177 9400™ 256176 7300™ 256175 1600i™ 255519 1600™ 245799



TITANIUM 1600i and 9400i™



TITANIUM 1600™, 7300 and 9400™



ALL TITANIUM SERIES™ MODELS

Digital Infinity Series™

| Item # | Part # | Description | Quantity |
|--------|--------|--|----------|
| 1 | 271340 | Helmet Shell, Black Ops | 1 |
| 1 | 271335 | Helmet Shell, Black | 1 |
| 1 | 271336 | Helmet Shell, Stars & Stripes | 1 |
| 1 | 271337 | Helmet Shell, Camo | 1 |
| 1 | 271339 | Helmet Shell, Departed | 1 |
| 2 | 271319 | Lens Cover, Inside 4-3/4 in x 3-1/4 in | 1 |
| 3 | 271321 | Lens Assembly, Auto-Darkening | 1 |
| 4 | 271320 | Lens Cover, Front 6 in x 5-5/8 in | 1 |
| 5 | 271322 | Holder, Front Lens (Black) | 1 |
| 5 | 271323 | Holder, Front Lens (Silver) | 1 |
| 5 | 271324 | Holder, Front Lens (Camo) | 1 |
| 6 | 271325 | Headgear, Gray (Gen III) (Includes) | 1 |
| 7 | 256178 | Kit, Adjustment Angle/Stop Hardware | 1 |
| 8 | 770249 | Headband, Fabric | 1 |
| 9 | 271326 | Cushion, Top Headgear | 1 |
| 10 | 271327 | Tray, Battery (Left/Right) (Infinity) | 2 |
| | 217043 | Battery, Lithium (CR2450) | 1 |
| 11 | 770250 | Bag, Helmet (Miller Logo) | 1 |
| 12 | 271328 | Adapter, Magnification Lens (XI) | 1 |
| 13 | 212235 | Lens, 0.75 Magnification | 1 |
| 13 | 212236 | Lens, 1.00 Magnification | 1 |
| 13 | 212237 | Lens, 1.25 Magnification | 1 |
| 13 | 212238 | Lens, 1.50 Magnification | 1 |
| 13 | 212239 | Lens, 1.75 Magnification | 1 |
| 13 | 212240 | Lens, 2.00 Magnification | 1 |
| 13 | 212241 | Lens, 2.25 Magnification | 1 |
| 13 | 212242 | Lens, 2.50 Magnification | 1 |
| | 222003 | Adapter, Hard Hat | 1 |
| | 259637 | Adapter, Hard Hat, Slotted QR | 1 |



Black
271329



Stars & Stripes™
271330



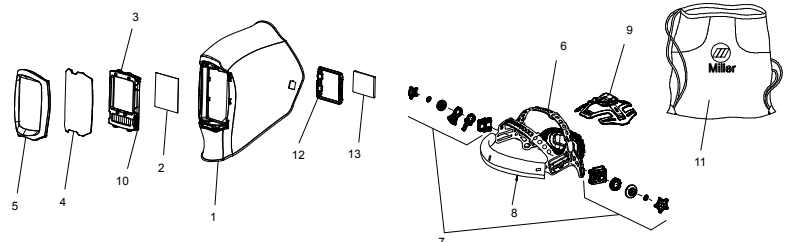
Camouflage
271331



Departed™
271332



Black Ops™
271333





Digital Elite™ Series

| Item # | Description | Elite Analog | Elite Digital |
|----------------------------------|--|--------------|---------------|
| 1 | Helmet Shell, Black | 216331 | 216331 |
| | Helmet Shell, Black (QR) | 241976 | 241976 |
| | Helmet Shell, Red Flame | 216332 | 216332 |
| | Helmet Shell, Camouflage | 227190 | 227190 |
| | Helmet Shell, Stars and Stripes III | 265709 | 265709 |
| | Helmet Shell, Inferno | 223454 | 223454 |
| | Helmet Shell, Lucky's Speed Shop | 237872 | 237872 |
| | Helmet Shell, Pink Camo | 273954 | 273954 |
| | Helmet Shell, Joker (Black) | 247058 | 247058 |
| | Helmet Shell, Dig Camo | 248261 | 248261 |
| | Helmet Shell, Fury | 256172 | 256172 |
| | Helmet Shell, Vintage Roadster | 260086 | 260086 |
| Helmet Shell, Not Forgotten | 260128 | 260128 | |
| Helmet Shell, Cat® - 1st Edition | 268619 | 268619 | |
| Helmet Shell, Blue Flame | 269274 | 269274 | |
| Helmet Shell, Hot Rod Garage | 269947 | 269947 | |
| 2 | Inside Lens Cover (4 1/4 x 2 1/2 in) (5-Pkg) | 216327 | 216327 |
| | Auto-Darkening Lens Assembly | 216328 | 256469 |
| 3 | Lens Assembly, Digital Elite (Cat) | - | 269504 |
| | Gasket, Auto-Darkening Lens Assy | 234758 | 234758 |
| 3a | Gasket, Lens Assembly (QR) | 241977 | 241977 |
| 3b | Gasket, Front Lens | 216337 | 216337 |
| 4 | Front Lens Cover (4 11/16 x 5 5/8 in) (5-pkg) | 216326 | 216326 |
| 5 | Front Lens Holder, Black, Flat | 241978 | 241978 |
| 6 | Frame, Lens Holding | 216335 | 234759 |
| 7 | Ratchet Headgear Assembly (includes #9 & #10) | 770246 | 256174 |
| 8 | Adjustment Angle/Stop Hardware Kit | 770248 | 256178 |
| 9 | Fabric Headband | 770249 | 770249 |
| 10 | Replacement O-Rings For Kits 258178 & 770248 (5 Per Pkg) | 079975 | 079975 |
| 11 | Comfort Cushion | 216336 | - |
| 12 | Battery Tray, Kit (Left/Right) | 216339 | 216339 |
| | Battery, Lithium Cr2450 (Not Shown) | 217043 (2) | 217043 (2) |



Stars and Stripes™ III
264852



CAT® - First Edition
268618

CAT

©2014 Caterpillar. CAT, CATERPILLAR, BUILT FOR IT and their design marks are registered trademarks of Caterpillar. Miller Electric Mfg. CO., a licensee of Caterpillar Inc.



Not Forgotten™
260127



Lucky's Speed Shop™
257214



Vintage Roadster™
259485



Pink Camo
273953



Hot Rod Garage™
269946



Inferno™
257217



Fury™
256158



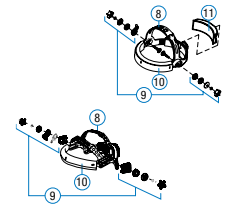
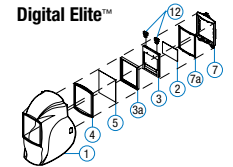
Camouflage
256173



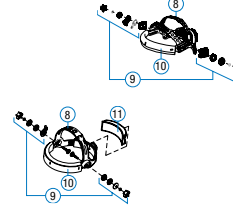
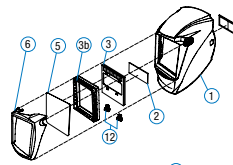
Black
257213



Blue Flame
269273



Elite Analog (QR) Series



Digital Performance Series™

| Item # | Description | Performance Series | | |
|--------|---|--|------------|--------|
| | | ANALOG | DIGITAL | |
| 1 | Helmet Shell, Black | 232020 | 232020 | |
| | Helmet Shell, American Eagle | 232021 | 232021 | |
| | Helmet Shell, Millermatic | 232023 | 232023 | |
| | Helmet Shell, Blue Flame | 237160 | 237160 | |
| | Helmet Shell, Camouflage | 241461 | 241461 | |
| | Helmet Shell, American Eagle II | 265708 | 265708 | |
| | Helmet Shell, Blue Rage | 241459 | 241459 | |
| | Helmet Shell, Illusion | 256171 | 256171 | |
| | Helmet Shell, '64 Custom | 250533 | 250533 | |
| | Helmet Shell, Velocity | 260937 | 260937 | |
| | Helmet Shell, Cat® - 1st Edition | 268740 | 268740 | |
| | 2 | Inside Lens Cover (4 1/4 x 2 in) (5-Pkg) | 770237 | 770237 |
| 3 | Auto-Darkening Lens Assembly | 232026 | 256468 | |
| 3 | Lens Assembly, Performance Series (Cat) | - | 269505 | |
| | Gasket, Front Lens | 232028 | 232028 | |
| 5 | Front Lens Cover (4 1/2 x 5 1/2 in) (5-Pkg) | 231921 | 231921 | |
| 6 | Front Lens Holder, Black, Flat | 232030 | 232030 | |
| | Front Lens Holder, Gray | 232031 | 232031 | |
| | Front Lens Holder, Red | 203586 | 203586 | |
| | Front Lens Holder, Gloss Black | 232032 | 232032 | |
| | Front Lens Holder, Blue | 232033 | 232033 | |
| | Front Lens Holder, Camouflage | 243395 | 243395 | |
| | Front Lens Holder, Light Blue | 251278 | 251278 | |
| | Front Lens Holder, White | 257041 | 257041 | |
| | 8 | Ratchet Headgear Assembly (Includes #9 & #10) | 770246 | 256174 |
| | 9 | Adjustment Angle/Stop Hardware Kit | 770248 | 256178 |
| | 10 | Fabric Headband | 770249 | 770249 |
| | | Replacement O-Rings For Kits 258178 & 770248 (5 Per Pkg) | 079975 | 079975 |
| 11 | Comfort Cushion | 216336 | - | |
| 12 | Battery Tray, Kit (Left/Right) | 232027 | 256730 | |
| | Battery, Lithium CR2450 (Not Shown) | 217043 | 217043 (2) | |



America's Eagle™ II
264851



Blue Rage™
256164



Illusion™
256165



Camouflage
256163



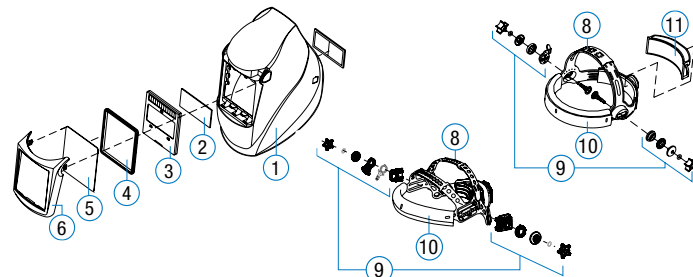
Black
256159



CAT® - First Edition
268739



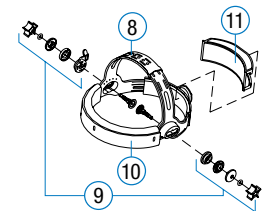
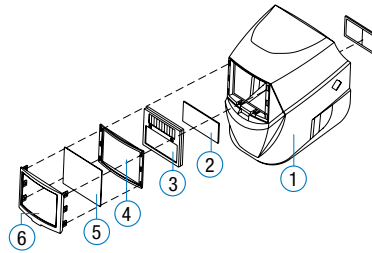
©2014 Caterpillar. CAT, CATERPILLAR, BUILT FOR IT and their design marks are registered trademarks of Caterpillar. Miller Electric Mfg. CO., a licensee of Caterpillar Inc.



WELDING PROTECTION

Digital Pro-Hobby™ Series

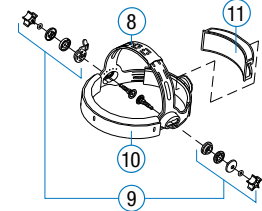
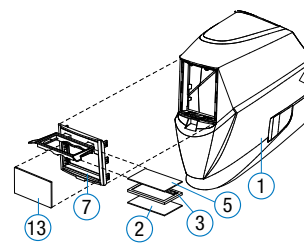
| Item # | Description | Pro-Hobby Series | |
|--------|--|------------------|------------|
| | | ANALOG | DIGITAL |
| 1 | Helmet Shell, Black | 231415 | 231415 |
| | Helmet Shell, American Eagle | 231416 | 231416 |
| | Helmet Shell, Red Flame | 231419 | 231419 |
| | Helmet Shell, Camouflage | 231418 | 231418 |
| | Helmet Shell, American Eagle II | 265707 | 265707 |
| | Helmet Shell, Blue Heat | 250367 | 250367 |
| | Helmet Shell, Metalworks | 260087 | 260087 |
| 2 | Inside Lens Cover (4 1/4 x 1 3/4 in) (5-Pkg) | 231410 | 231410 |
| 3 | Auto-Darkening Lens Assembly | 231409 | 256467 |
| 4 | Gasket, Front Lens | 231412 | 231412 |
| 5 | Front Lens Cover (4 1/2 x 3 3/4 in) (5-Pkg) | 231411 | 231411 |
| 6 | Front Lens Holder, Black, Flat | 231572 | 231572 |
| | Front Lens Holder, Gray | 231573 | 231573 |
| | Front Lens Holder, Red | 231574 | 231574 |
| | Front Lens Holder, Blue | 231575 | 231575 |
| | Front Lens Holder, Camouflage | 231576 | 231576 |
| 8 | Ratchet Headgear Assembly (Includes #9 & #10) | 770246 | 256174 |
| 9 | Adjustment Angle/Stop Hardware Kit | 770248 | 256178 |
| 10 | Fabric Headband | 770249 | 770249 |
| | Replacement O-Rings For Kits 258178 & 770248 (5 Per Pkg) | 079975 | 079975 |
| 11 | Comfort Cushion | 216336 | - |
| 12 | Battery Tray, Kit (Left/Right) | - | 256729 |
| | Battery, Lithium CR2450 (Not Shown) | AAA Alkaline | 217043 (2) |
| | Battery Cover (Not Shown) | 231413 | - |



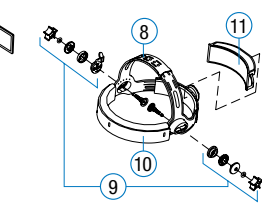
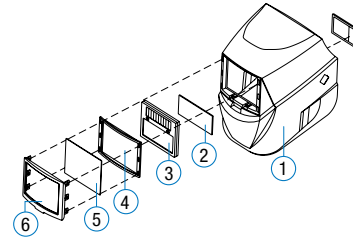
Digital/Analog Pro-Hobby™ Series

Classic Series

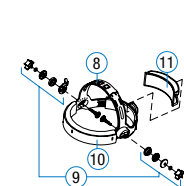
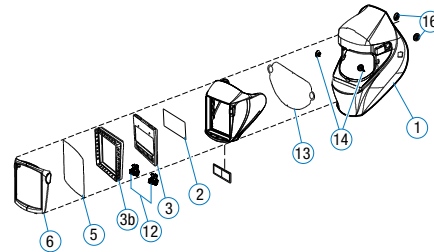
| Item # | Description | Classic Series | | | |
|--------|--|----------------|--------------|--------|---------------|
| | | FS#10 | VS | VSi™ | FS#10 Flip-Up |
| 1 | Helmet Shell, Black | 231415 | 231415 | 261824 | 231415 |
| | Helmet Shell, Stars & Stripes | - | 265707 | - | - |
| | Helmet Shell, Red Flame | - | 231419 | - | - |
| | Helmet Shell, Metalworks | - | 260087 | - | - |
| | Helmet Shell, Camouflage | - | 231418 | - | - |
| 2 | Inside Lens Cover (4 1/4 x 2 in) (5-Pkg) | - | - | - | 770237 |
| | Inside Lens Cover (4 1/4 x 1 3/4 in) (5-Pkg) | 231410 | 231410 | 231410 | - |
| 3 | Auto-Darkening Lens Assembly | 231571 | 251293 | 261826 | 770226 |
| 3b | Gasket, Lens Assembly (QR) | - | - | 261827 | - |
| 4 | Gasket, Front Lens | 231412 | 231412 | - | - |
| 5 | Front Lens Cover (4 1/4 x 2 in) (5-Pkg) | - | - | - | 770237 |
| | Front Lens Cover (4 1/2 x 3 3/4 in) (5-Pkg) | 231411 | 231411 | - | - |
| | Front Lens Cover (5 1/4 x 4 1/2 in) (5-Pkg) | - | - | 235628 | - |
| 6 | Front Lens Holder, Black, Flat | 231572 | 231572 | 261828 | - |
| 7 | Frame, Lens Holding | - | - | - | 261829 |
| 8 | Ratchet Headgear Assembly (Includes #9 & #10) | 770246 | 770246 | 770246 | 770246 |
| 9 | Adjustment Angle/Stop Hardware Kit | 770248 | 770248 | 770248 | 770248 |
| 10 | Fabric Headband | 770249 | 770249 | 770249 | 770249 |
| | Replacement O-Rings For Kits 258178 & 770248 (5 Per Pkg) | 079975 | 079975 | 079975 | 079975 |
| 11 | Comfort Cushion | 216336 | 216336 | 216336 | 216336 |
| 12 | Battery, Lithium CR2450 (Not Shown) | - | AAA Alkaline | 217043 | - |
| | Battery Cover (Not Shown) | - | 231413 | 266781 | - |
| 13 | Lens, Grinding Shield (Clear) | - | - | 245818 | 261830 |
| 14 | Clips, Retaining Grinding Shield | - | - | 245819 | - |
| 16 | Clips, Visor Hinge (I-Series Shell) | - | - | 255070 | - |
| 17 | Lens Tear-Off, Grind Shield (Clear) (Not Shown) | - | - | 254278 | - |



Classic Series FS#10 Flip-Up



Classic Variable Shade & FS#10



Classic VSi™





MP-10™ Series

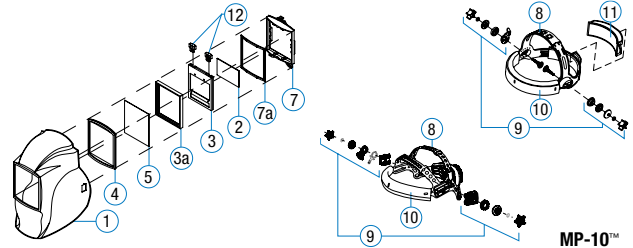
| Item # | Description | MP-10 Series |
|--------|--|--------------|
| 1 | Helmet Shell, Black | 216331 |
| | Helmet Shell, Inferno | 223454 |
| 2 | Inside Lens Cover (5 1/4 x 4 1/2 in) (5-Pkg) | 235628 |
| 3 | Filter Plate | 235630 |
| 4 | Gasket, Front Lens | 216337 |
| 5 | Front Lens Cover (4 11/16 x 5 5/8 in) (5-Pkg) | 216326 |
| 7 | Frame, Lens Holding | 216335 |
| 7a | Spacer, Lens Holding (MP-10) | 235629 |
| 8 | Ratchet Headgear Assembly (Includes #9 & #10) | 770246 |
| 9 | Adjustment Angle/Stop Hardware Kit | 770248 |
| 10 | Fabric Headband | 770249 |
| | Replacement O-Rings For Kits 258178 & 770248 (5 Per Pkg) | 079975 |
| 11 | Comfort Cushion | 216336 |



Inferno™
238496 (Each)



Black
238497 (Each); 235626 (6 Pk)



MP-10™

Helmet Accessories and Packages



Gen II Headgear
256174
Extensive adjustability setting and a pivoting top for better fit and comfort



Gen III Headgear
271325
Oversized comfort cushion provides extensive adjustability, settings, and enhanced support



Helmet Hook
251018
• Holds welding helmets, grinding shields or other helmets with a headgear
• Silicone strap secures the helmet in place



Helmet Bib
253882
Attaches to bottom of the helmet with hook-and-loop fasteners for added neck coverage



Protection Paks
• **Starter Pak** - Includes 251292 Classic VS helmet and Classic Cloth jacket
255848 Large
255850 X-Large
255851 2X-Large
• **Performance Pak** - Includes 256159 Performance helmet and Indura® Cloth jacket
240886 Large
240887 X-Large
240888 2X-Large



Slotted Hard Hat Adapter
259637
Compatible with most slotted hard hats. Helmet and hat not included



Hard Hat Adapter
213110 (XI and XLi)
222003 (All other Miller Series)
Compatible with Fibre Metal and MSA hats. Other brands may fit depending on size and shape. Helmet and hat not included



Jobsite Tool Bag
228028
• Over twenty separate pockets
• Opening of 12 x 18.5 inches (305 x 470 mm)



2x4 Auto-Darkening Lens
770660 Shade 8
770659 Shade 9
770226 Shade 10
770961 Shade 11
• Fits all 2x4-inch windows
• Solar powered, two arc sensors
• Light state shade 3
• Two-year warranty

Lenses

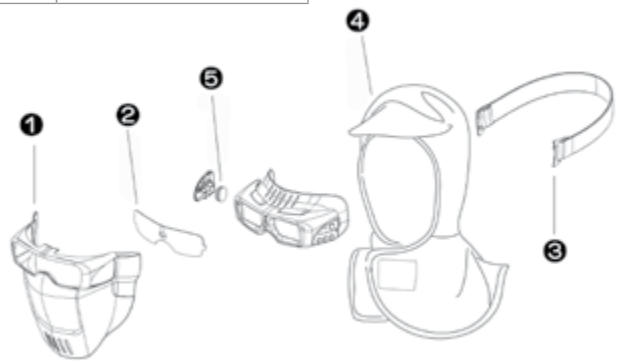
| Bulk Cover Lenses | | |
|-------------------|--------------------------------|----------|
| Part # | Description | Quantity |
| 216326B | Front: Elite, Titanium, MP-10 | 50 pkg. |
| 216327B | Inside: Elite, Titanium, 9400i | 50 pkg. |
| 231921B | Front: Performance | 50 pkg. |
| 770237B | Inside: Performance | 50 pkg. |
| 231411B | Front: Pro-Hobby, Classic | 50 pkg. |

| Magnifying Lenses for All Miller Helmets (Lens size is 4 1/2" x 2" x 5/23) | |
|--|--------------------|
| Part # | Strength |
| 212235 | 0.75 Magnification |
| 212236 | 1.00 Magnification |
| 212237 | 1.25 Magnification |
| 212238 | 1.50 Magnification |
| 212239 | 1.75 Magnification |
| 212240 | 2.00 Magnification |
| 212241 | 2.25 Magnification |
| 212242 | 2.50 Magnification |

Weld-Mask™

| Item # | Part # | Description | Quantity |
|--------|---------------|-----------------------------------|---------------|
| | 267370 | Weld-Mask™ Unit | |
| 1 | 267422 | Guard, Face | 1 |
| 2 | 267420 | Cover, Lens | 1 (5 per pkg) |
| 3 | 270053 | Band, Head | 1 |
| 4 | 267421 | Cover, Head Fr. | 1 |
| 5 | 270055 | Battery, Non-Rechargeable CR2032 | 2 (1 per pkg) |
| | 272150 | Auto-Darkening Frame w/Lenses | |
| | 272116 | Lens Cover Retainer | |
| | 272117 | Cover, Battery | |
| | 272118 | Cover, Control | |
| | 272119 | Silicon Eye Skirt | |
| | 272120 | Retainer Frame, Silicon Eye Skirt | |
| | 272131 | Suction Cup, Lens Cover | |
| | 272124 | Magnifying Lens Frame | |
| | 272137 | Anti-Fog Film | |

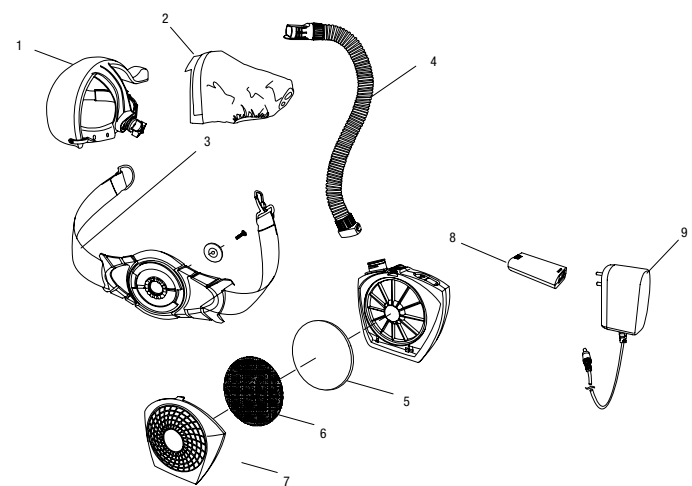
| Weld-Mask Lens Options | |
|------------------------|-----------------------------------|
| Part # | Description |
| 273763 | Magnifying Lenses, Diopter .75 |
| 273764 | Magnifying Lenses, Diopter 1.00 |
| 273765 | Magnifying Lenses, Diopter 1.25 |
| 273766 | Magnifying Lenses, Diopter 1.50 |
| 273767 | Magnifying Lenses, Diopter 1.75 |
| 273768 | Magnifying Lenses, Diopter 2.00 |
| 273769 | Magnifying Lenses, Diopter 2.25 |
| 273770 | Magnifying Lenses, Diopter 2.50 |
| 272120 | Retainer Frame, Silicon Eye Skirt |
| 272116 | Retainer, Lens Cover |



CoolBelt™

Service Parts/Consumables

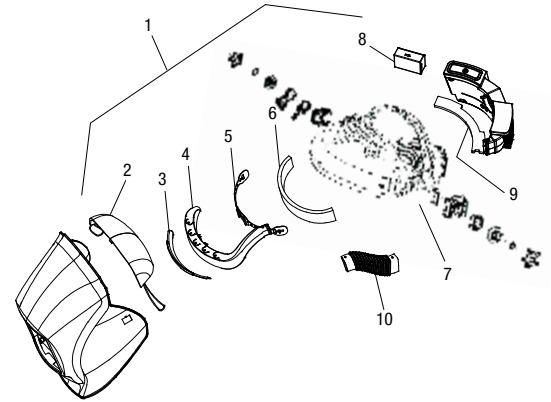
| Item # | Part # | Description | Quantity |
|--------|--------|---------------------|---------------|
| | 245230 | CoolBelt unit | |
| 1 | 245235 | Headgear (includes) | 1 |
| | 079975 | Replacement O-rings | 1 (5 per pkg) |
| | 770249 | Fabric headband | 1 |
| 2 | 245236 | Head shroud (hood) | 1 |
| 3 | 245232 | Belt | 1 |
| 4 | 245231 | Hose assembly | 1 |
| 5 | 245233 | Filter | 1 (6 per pkg) |
| 6 | 247921 | Spark Arrestor | 1 |
| 7 | 245234 | Filter cover | 1 |
| 8 | 245237 | Battery, blower | 1 |
| 9 | 245238 | Charger | 1 |
| | 246964 | Hose cover | 1 |





CoolBand II™ Service Parts/Consumables

| Item # | Part # | Description | Quantity |
|--------|--------|---|----------------|
| 1 | 261970 | CoolBand II (entire system - helmet not included) | 1 |
| 2 | 261971 | Shroud, head | 1 |
| 3 | 243930 | Deflector, air | 1 |
| 4 | 261972 | Manifold | 1 |
| 5 | 261973 | Bracket, manifold | 1 |
| 6 | 770249 | Headband, fabric | 1 |
| 7 | 261974 | Headgear set (includes all knobs, headband, screws, and manifold bracket) | 1 |
| 8 | 243927 | Battery, rechargeable lithium polymer | 1 |
| 9 | 243932 | Filter | 1 (10 per pkg) |
| 10 | 261975 | Tubing, stretch | 1 |
| | 261976 | Charger, Battery | 1 |
| | 261977 | Battery Door | 1 |
| | 262685 | Rubber Gasket Filter Holder | |

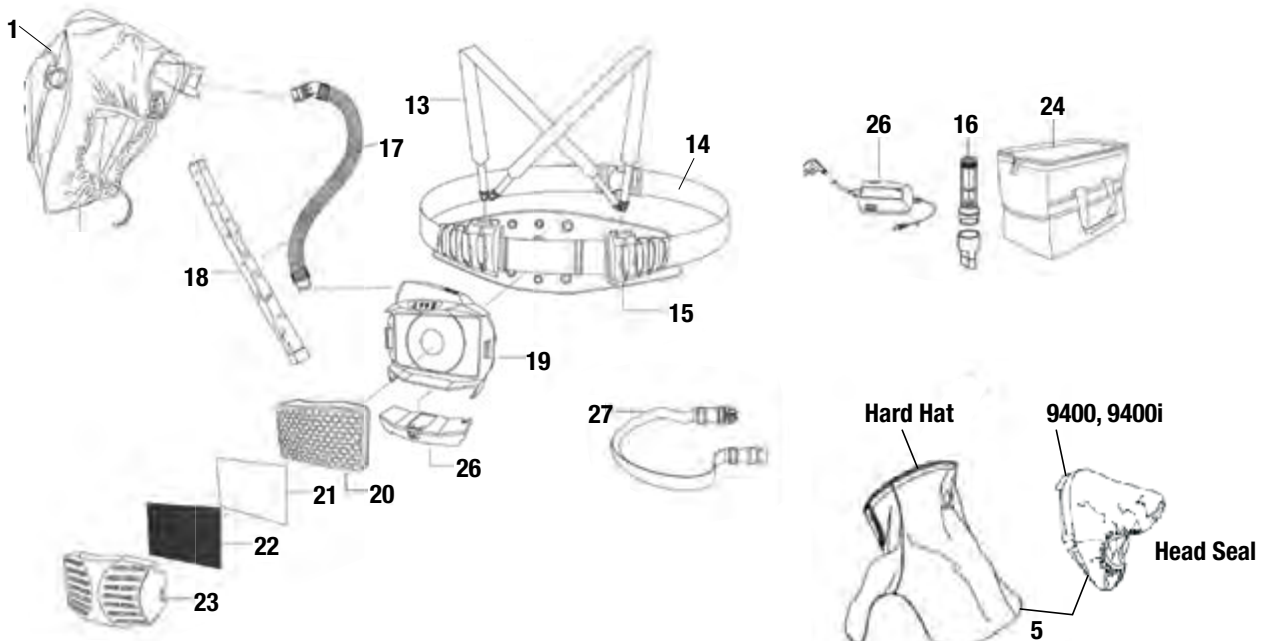


LPR-100 Half Mask Respirator

| Description | Part # |
|--|---------|
| LPR-100 Half Mask Respirator, Small/Medium | ML00894 |
| LPR-100 Half Mask Respirator, Medium/Large | ML00895 |
| LPR-100 Half Mask Respirator with Nuisance Level OV Filter, Small/Medium | ML00994 |
| LPR-100 Half Mask Respirator with Nuisance Level OV Filter, Medium/Large | ML00995 |
| Consumables/Accessories | |
| P100 Filters | SA00818 |
| P100 Nuisance Level OV Relief Filters | SA00819 |
| Quantitative Face-Fit Test Kit | 261 086 |



PAPR Service Parts/Consumables



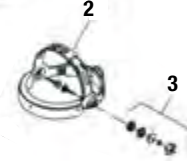
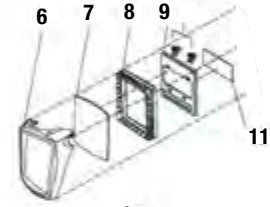
WELDING PROTECTION

PAPR Service Parts/Consumables

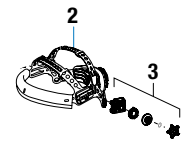
| Item # | Description | PAPR w/ Titanium 9400™ | PAPR w/ Titanium 9400 (New Headgear) | PAPR w/ Titanium 9400i™ | PAPR w/ Titanium 9400i (New Headgear) | PAPR w/ Hard Hat |
|--------|---|------------------------------|---|-------------------------------|---|---|
| | PAPR (Complete System w/ Helmet) | 247533 262615* | 264879 | 247531 | 264877 | 259385 (w/9400 Helmet) 261659 (w/9400i Helmet) |
| | PAPR (Complete System w/out Auto-Darkening Lens) | 247534 262616* | 264882 | 247532 | 264878 | - |
| | PAPR (Complete System w/out Helmet) | - | - | - | - | 259386 |
| 1 | Helmet Assy. (Shell, Headgear and Headseal) | 245217 262623 | 264883 | 247471 | 264884 | - |
| | Helmet Assy. (Hard Hat, Headgear and Headseal) | - | - | - | - | 259387 |
| 2 | Headgear (Includes: Fabric Headband) | 223430 770249 | 256174 770249 | 247472 770249 | 256174 770249 | - |
| 3 | Adjustment angle/stop hardware kit (w/O-rings) | 770248 | 256178 | 770248 | 256178 | - |
| | Replacement O-rings for kit 770248 (5 pack) | 079975 | - | 079975 | - | - |
| 4 | Headgear (Hard Hat) | - | - | - | - | 259388 |
| 5 | Headseal | 247470 | 265629 | 247473 | 265628 | 259389 |
| 6 | Lens holder, Front | 243396 | 243369 | 245815 | 245815 | 243396 (9400) 245815 (9400i) |
| 7 | Outside Cover Lens (4-11/16 x 5-5/8) | 216326 | 216326 | 216326 | 216326 | 216326w |
| 8 | Frame/Gasket, ADF lens holding | 241977 | 241977 | 241977 | 241977 | 241977 |
| 9 | Auto-Darkening Lens Assembly (Titanium) (Infotrak) | 256360 256359' | 256359' | 256360 | 256360 | 256359' |
| 10 | Battery tray kit (left/right) | 216339 | 216339 | 216339 | 216339 | 216339 |
| | Battery, Lens (Lithium CR2450) | 217043 (2) | 217043 (2) | 217043 (2) | 217043 (2) | 217043 (2) |
| 11 | Inside Cover Lens (4-1/4 x 2-1/2) (5 pack) | 216327 | 216327 | 216327 | 216327 | 216327 |
| 12 | Lens, Grinding Shield (Titanium 9400i) | - | - | 245818 | 245818 | - |
| | Tear-away, Grinding Shield | - | - | 254278 | 254278 | 259391 |
| | Clip, Retaining Grinding shield (left/right) | - | - | 245819 | 245819 | - |
| | Kit, Weld Shield Hinge | - | - | 269929 | 269929 | - |
| 13 | Shoulder Straps | 235680 | 235680 | 235680 | 235680 | 235680 |
| 14 | Belt | 235679 | 235679 | 235679 | 235679 | 235679 |
| 15 | Belt Pad | 239636 | 239636 | 239636 | 239636 | 239636 |
| 16 | Flowmeter | 245219 | 245219 | 245219 | 245219 | 260890 |
| 17 | Breathing Tube Assembly | 245218 | 245218 | 247474 | 245218 | 259392 |
| 18 | Breathing Tube Cover, Flame-resistant | 245367 | 245367 | 239571 | 245367 | 239571 |
| | O-ring, Breathing Tube | 237452 | 237452 | 237452 | 237452 | 259394 |
| 19 | Blower Assembly | 235672 | 235672 | 235672 | 235672 | 235672 |
| | Kit, Battery Contact | 269930 | 269930 | 269930 | 269930 | 269930 |
| 20 | Filter, Particulate (HEPA) (2 pack) | 235673-2 | 235673-2 | 235673-2 | 235673-2 | 235673-2 |
| | Filter, Particulate (HEPA) (6 pack) | 235673-6 | 235673-6 | 235673-6 | 235673-6 | 235673-6 |
| | Filter, Particulate (HEPA) (36 pack) | 235673-36 | 235673-36 | 235673-36 | 235673-36 | 235673-36 |
| 21 | Filter, Prefilter (foam) | 235674 | 235674 | 235674 | 235674 | 235674 |
| 21 | Filter, Prefilter NUIS OV | 268841 | 268841 | 268841 | 268841 | 268841 |
| 22 | Spark Guard | 235676 | 235676 | 235676 | 235676 | 235676 |
| 23 | Filter Cover | 235677 | 235677 | 235677 | 235677 | 235677 |
| 24 | Tool Bag | 228028 | 228028 | 228028 | 228028 | 228028 |
| 25 | Battery, Blower | 244131 | 244131 | 244131 | 244131 | 244131 |
| 26 | Charger | 244132 | 244132 | 244132 | 244132 | 244132 |
| 27 | Belt Extension | 244151 | 244151 | 244151 | 244151 | 244151 |
| 28 | Hard Hat (for PAPR) | - | - | - | - | 259460 |
| 29 | Slotted Hard Hat Adapter | - | - | - | - | 259637 |
| | Lens, Clear (Hard Hat Headseal) | - | - | - | - | 259390 |
| | Button, Replacement External Grind | - | 256179 | - | - | 256179 |
| | Kit PAPR Battery Contact Replacement | 269930 | 269930 | 269930 | 269930 | 269930 |
| | Fabric Sweatband, HH | - | - | - | - | 270176 |

* Indicates part number features external grind control button.

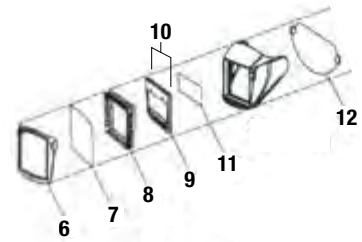
PAPR w/ Titanium 9400 Helmet



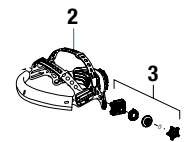
w/ New Headgear



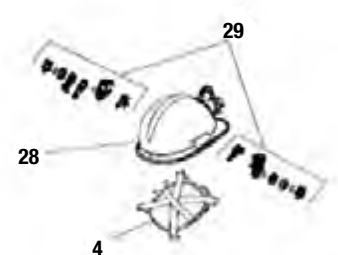
PAPR w/ Titanium 9400i Helmet



w/ New Headgear



PAPR w/Hard Hat





Miller® MIG Gun History

| Model Name | Serial Number Effective | Original Gun Breakdown | Recommended Replacement Gun (S) | Amperage of Gun | Wire Size | Replacement Gun Breakdown |
|---|-------------------------|------------------------|---|-------------------------|------------------------|---------------------------|
| Sidekick™ XL/ Cricket® | All Serial Numbers | GA-16C N/A | M-100 part number 248282 10 ft | 100A at 100% Duty Cycle | .030-.035 (0.8-0.9 mm) | pg 15 |
| Cricket® | All Serial Numbers | GA-16C1 N/A | M-100 W/Friction terminals part number 220606 10 ft | 100A at 100% Duty Cycle | .030-.035 (0.8-0.9 mm) | pg 15 |
| Sidekick™ XL/ Cricket®/ Millermatic® 90 | All Serial Numbers | GA-17C N/A | M-100 part number 248282 10 ft | 100A at 100% Duty Cycle | .030-.035 (0.8-0.9 mm) | pg 15 |
| | | | M-150 10 ft part number 249039 | 150A at 100% Duty Cycle | .030-.035 (0.8-0.9 mm) | pg 15 |
| | | | M-150 12 ft part number 249040 | | | |
| Millermatic®120/130/150 | Prior to KF849783 | GA-17C N/A | M-150 10 ft part number 249039 | 150A at 100% Duty Cycle | .030-.035 (0.8-0.9 mm) | pg 15 |
| | Effective with KF849783 | M-15 N/A | M-150 12 ft part number 249040 | | | |
| Millermatic® 125 | All Serial Numbers | M-80 | M-80 | 100A at 100% Duty Cycle | .023-.045 (0.6-1.1 mm) | pg 14 |
| Millermatic®130 XP | Prior to KK110539 | 10-A N/A | M-100 part number 273618 10 ft | 100A at 100% Duty Cycle | .030-.035 (0.8-0.9 mm) | pg 15 |
| | Effective with KK110539 | M-10 | M-150 10 ft part number 249039 | 150A at 100% Duty Cycle | .030-.035 (0.8-0.9 mm) | pg 15 |
| | | | M-150 12 ft part number 249040 | | | |
| Millermatic®135/140s/175/180/DVI™s/211 | All Serial Numbers | M-10 N/A | M-100 part number 248282 10 ft | 100A at 100% Duty Cycle | .030-.035 (0.8-0.9 mm) | pg 15 |
| | | pg 12 | M-150 10 ft part number 249039 | 150A at 100% Duty Cycle | .030-.035 (0.8-0.9 mm) | pg 15 |
| | | | M-150 12 ft part number 249040 | | | |
| Millermatic® 141/190 | All Serial Numbers | M-100 | M-100 part number 248282 10 ft | 100A at 100% Duty Cycle | .030-.035 (0.8-0.9mm) | pg 15 |
| Millermatic® Challenger™ | All Serial Numbers | M-15 N/A | M-100 part number 248282 10 ft | 100A at 100% Duty Cycle | .030-.035 (0.8-0.9 mm) | pg 15 |
| | | pg 12 | M-150 10 ft part number 249039 | 150A at 100% Duty Cycle | | |
| | | | M-150 12 ft part number 249040 | | | |
| Millermatic® Challenger™ 172 | Prior to KK118238 | 10-A N/A | M-100 part number 248282 10 ft | 100A at 100% Duty Cycle | .030-.035 (0.8-0.9 mm) | pg 15 |
| | Effective with KK118238 | M-10 N/A | M-150 10 ft part number 249039 | 150A at 100% Duty Cycle | .030-.035 (0.8-0.9 mm) | pg 15 |
| | | pg 12 | M-150 12 ft part number 249040 | | | |
| Millermatic®185 | All Serial Numbers | M-15 N/A | M-150 10 ft part number 249039 | 150A at 100% Duty Cycle | .030-.035 (0.8-0.9 mm) | pg 15 |
| | | pg 12 | M-150 12 ft part number 249040 | | | |
| Millermatic®200 | GA-20C | M-25 | M-25 10 ft part number 169594 | 250A at 100% Duty Cycle | .030-.035 (0.8-0.9 mm) | pg 13 |
| | | pg 13 | M-25 12 ft part number 169596 | | | |
| | | | M-25 15 ft part number 169598 | | | |
| Millermatic®210/212/250X/251/252 | All Serial Numbers | M-25 | M-25 10 ft part number 169594 | 250A at 100% Duty Cycle | .030-.035 (0.8-0.9 mm) | pg 13 |
| | | pg 13 | M-25 12 ft part number 169596 | | | |
| | | | M-25 15 ft part number 169598 | | | |
| Millermatic® 250 | Prior to KF851980 | GA-21C N/A | M-25 10 ft part number 169594 | 250A at 100% Duty Cycle | .030-.035 (0.8-0.9 mm) | pg 13 |
| | Effective with KF851980 | M-25 pg 13 | M-25 12 ft part number 169596 | | | |
| | | | M-25 15 ft part number 169598 | | | |
| Millermatic®Vintage | All Serial Numbers | GA-20C; N/A | M-25 10 ft part number 169594 | 250A at 100% Duty Cycle | .030-.035 (0.8-0.9 mm) | pg 13 |
| | | GA-21C; N/A | M-25 12 ft part number 169596 | | | |
| | | M-25 pg 13 | M-25 15 ft part number 169598 | | | |
| Millermatic®300 | All Serial Numbers | M-40 N/A | Q4010TE5EMC | 400A at 100% Duty Cycle | .035-.045 (0.9-1.2 mm) | pg 18 |
| | | | Q4010TE5EMC | | | |
| | | | Q4010TE5EMC | | | |
| Millermatic® 300 without gun | | No Gun | Q4010TE5EMC | 400A at 100% Duty Cycle | .035-.045 (0.9-1.2 mm) | pg 18 |
| Millermatic® 350 | Prior to LE443589 | Roughneck C-4012 | Q4010TE5EMC | 400A at 100% Duty Cycle | .035-.045 (0.9-1.2 mm) | pg 18 |
| | Effective with LE443589 | Q3015AE8XM | Q3015AE8XM | | .035-.045 (0.9-1.2 mm) | pg 21 |
| Millermatic® Passport™/ Passport™ Plus | All Serial Numbers | M-10 N/A | M-100 part number 248282 10 ft | 150A at 100% Duty Cycle | .030-.035 (0.8-0.9 mm) | pg 15 |
| | | pg 12 | M-150 10 ft part number 249039 | 150A at 100% Duty Cycle | | pg 15 |
| | | | M-150 12 ft part number 249040 | | | |
| | | | M-150 15 ft part number 249041 | | | |
| Millermatic® Pulser | All Serial Numbers | M-15 N/A | M-150 10 ft part number 249039 | 150A at 100% Duty Cycle | .035-.045 (0.9-1.2 mm) | pg 15 |
| | | pg 12 | M-150 12 ft part number 249040 | | | |
| | | | M-150 15 ft part number 249041 | | | |

Optional Gun: M-25 Gun, Part Number 169598, 15ft. 250A at 100% Duty Cycle, Wire Size (.035-.045in)



MIGmatic™ M-Series
100–250 Amp, Semi-Automatic,
Air-Cooled MIG Welding Guns



M-Series Consumable Kits
(234607, 234608, 234609)

To better serve you, Miller® has introduced six improved, affordable MIG consumable kits that are compatible with the M-Series guns. Each kit contains consumables that are specific to your welding application, including gun type and wire size.

- 234607 – M-10/15, M-100/150 Gun, .023" Wire
- 234608 – M-10/15, M-100/150 Gun, .030" Wire
- 234609 – M-10/15, M-100/150 Gun, .035" Wire

Consumable Kits 234607, 234608 and 234609 contain 10 contact tips, 1 nozzle and 1 contact tip adapter.

- 234610 – M-25 Gun, .030" Wire
- 234611 – M-25 Gun, .035" Wire
- 234612 – M-25 Gun, .045" Wire

Consumable kits 234610, 234611 and 234612 contain 10 contact tips, 1 nozzle, 1 contact tip adapter and 1 nozzle adapter.

Accessories

For a complete listing of gun consumables information, please refer to pages 12–16.

M-10/M-15 Service Parts/Consumables

| Item # | Part # | Description | Quantity | |
|--------|--------------|---|----------|----------------|
| | | | M-10 | M-15 |
| | 195605 (N/A) | M-10 Gun, 10 ft (3 m), 100A, .030-.035 (0.8-0.9 mm) | | |
| | 169589 (N/A) | M-15 Gun, 10 ft (3 m), 150A, .030-.035 (0.8-0.9 mm) | | |
| | 169591 (N/A) | M-15 Gun, 12 ft (3.7 m), 150A, .030-.035 (0.8-0.9 mm) | | |
| | 169593 (N/A) | M-15 Gun, 15 ft (4.6 m), 150A, .030-.035 (0.8-0.9 mm) | | |
| 1 | 169715 | Nozzle, slip type, .500 (12.7 mm) orf flush | 1 | 1 (2 per pkg) |
| | 226190 | Nozzle, slip type, flux cored | 1 | 1 |
| 2 | 087299 | Tip, contact scr, .023 (0.6 mm) wire x 1.125 | 1 | 1 (10 per pkg) |
| | 000067 | Tip, contact scr, .030 (0.8 mm) wire x 1.125 | 1 | 1 (10 per pkg) |
| | 000068 | Tip, contact scr, .035 (0.9 mm) wire x 1.125 | 1 | 1 (10 per pkg) |
| | 000069 | Tip, contact scr, .045 (1.2 mm) wire x 1.125 | 1 | 1 (10 per pkg) |
| 3 | 169716 | Adapter, contact tip | 1 | 1 (2 per pkg) |
| 4 | 170470 | Ring, retaining | 1 | 1 |
| 5 | 169718 | Tube, head | 1 | 1 |
| 6 | 169738 | Nut, locking handle | 1 | 2 |
| 7 | 169719 | Nut, jam (gun end) | 1 | 1 |
| 8 | 169737 | Handle | 1 | 2 |
| 9 | 169741 (N/A) | Strain Relief, cable | — | 2 |
| 10 | 227800 | Cord Assembly | 1 | 1 |
| 11 | 209495 | Connector, feeder—M-10 (includes) NA | 1 | — |
| 11 | 209486 | Connector, feeder—M-15 (includes) | — | 1 |
| 12 | 079974 | O-Ring, .500 ID x .103CS rbr | 2 | 2 |
| 13 | 194010 | Kit, liner monocoil .023/.025 (0.6 mm) wire x 15 ft (includes) | 1 | 1 |
| 13 | 194011 | Kit, liner monocoil .030-.035 (0.8-0.9 mm) wire x 15 ft (includes) | 1 | 1 |
| 14 | 079975 | O-Ring, .187 ID x .103CS rbr | 1 | 1 |
| 15 | 227798 | Switch, Red trigger | 1 | 1 |
| 16 | 079878 | Housing Plug and Pins | 1 | — |
| | 079531 | Connector, circ cpc clamp str rif | 1 | — |
| 17 | 169736 | Terminal Block | — | 1 |

M-Series MIG Guns

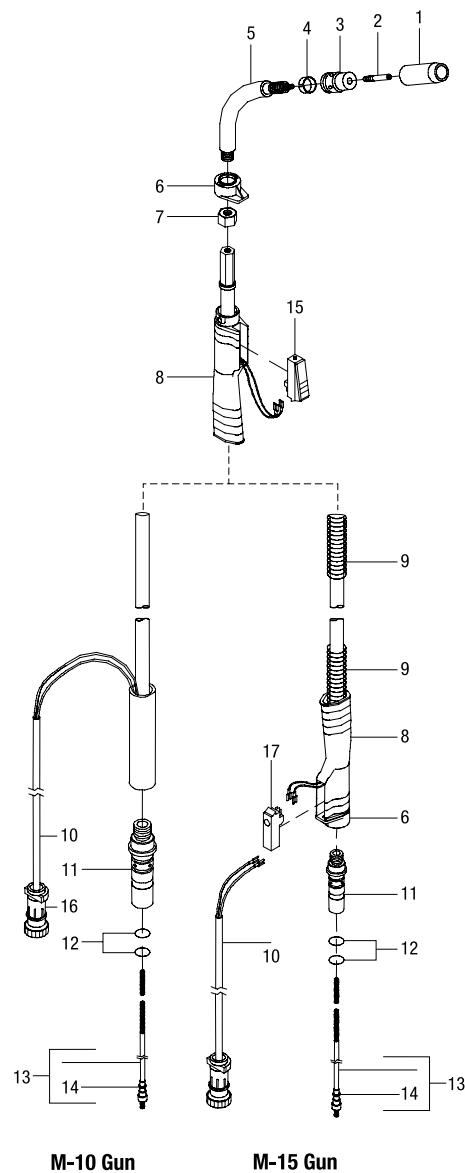
*For a detailed listing, please reference page 11.

| Model | Stock # | Length | Rating and Duty Cycle (C0 ₂) ¹ | Wire Size |
|-------|---------------------|---------------|---|---------------------------------|
| M-80 | 273618 ⁴ | 8 ft (2.4 m) | 100 A at 100% Duty Cycle | .023-.045 in (0.6 to 1.1 mm) |
| M-100 | 248282 | 10 ft (3 m) | 100 A at 100% Duty Cycle | .030-.035 in (0.8-0.9 mm) |
| | 220606 ² | | | |
| M-150 | 249039 | 10 ft (3 m) | 150 A at 100% Duty Cycle | .030-.035 in (0.8-0.9 mm) |
| | 249040 | 12 ft (3.7 m) | | |
| | 249041 | 15 ft (4.6 m) | | |
| M-25 | 169594 | 10 ft (3 m) | 250 A at 100% Duty Cycle | .030-.035 in (0.8-0.9 mm) |
| | 169596 | 12 ft (3.7 m) | | |
| | 194805 ³ | 12 ft (3.7 m) | | |
| | 169598 | 15 ft (4.6 m) | | |
| | 169599 | 15 ft (4.6 m) | 250 A at 100% Duty Cycle | .035-.045 in (0.9-1.2 mm) |

¹60% with mixed gases ²220606 is an M-100 gun with friction terminals for the Miller® Cricket®

³194805 is an M-25 gun with friction lugs for the Hobart Beta-MIG 2510.

⁴273618 is an M-80 gun for the Millermatic® 125 Hobby.



M-10 Gun

M-15 Gun



M-25

Service Parts/Consumables

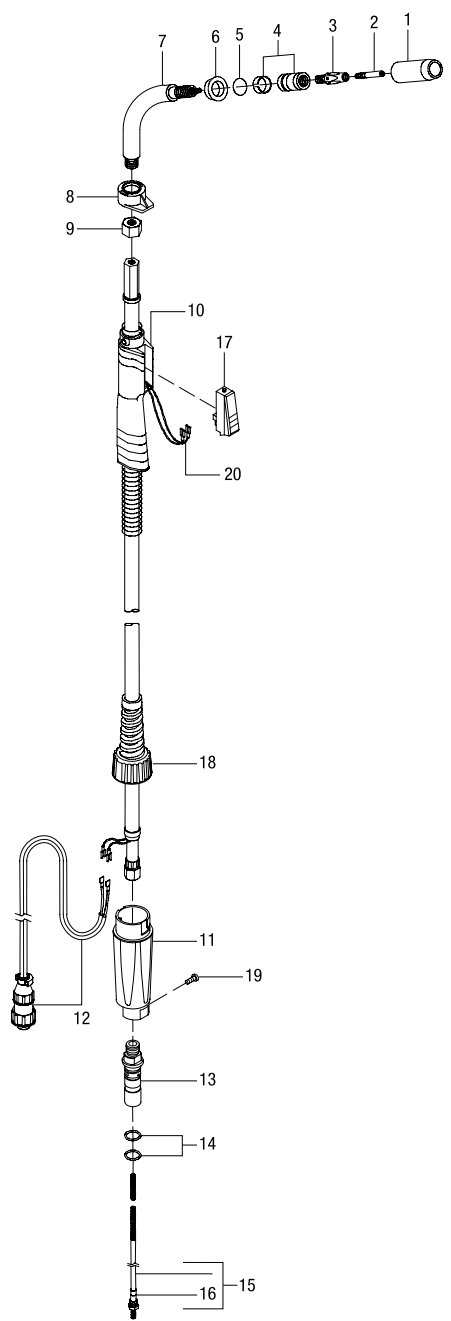
| Item # | Part # | Description | Quantity |
|--------|---------------------|---|----------------|
| | 169594 | M-25 Gun, 10 ft (3 m), 250A, .030-.035 (0.8-0.9 mm) | |
| | 169596 | M-25 Gun, 12 ft (3.7 m), 250A, .030-.035 (0.8-0.9 mm) | |
| | 169598 | M-25 Gun, 15 ft (4.6 m), 250A, .030-.035 (0.8-0.9 mm) | |
| | 169599 | M-25 Gun, 15 ft (4.6 m), 250A, .035-.045 (0.9-1.2 mm) | |
| 1 | 169724 | Nozzle, slip type, .500 (12.7 mm) orf .125 recess | 1 |
| | 169725 ¹ | Nozzle, slip type, .625 (15.9 mm) orf .125 recess | 1 |
| | 200258 | Nozzle, slip type, .500 (12.7 mm) orf flush | 1 |
| | 169726 ² | Nozzle, slip type, .625 (15.9 mm) orf flush | 1 |
| | 169727 | Nozzle, slip type, .625 (15.9 mm) orf .125 stickout | 1 |
| 2 | 087299 | Tip, contact scr, .023 (0.6 mm) wire x 1.125 | 1 (10 per pkg) |
| | 000067 | Tip, contact scr, .030 (0.8 mm) wire x 1.125 | 1 (10 per pkg) |
| | 000068 | Tip, contact scr, .035 (0.9 mm) wire x 1.125 | 1 (10 per pkg) |
| | 000069 | Tip, contact scr, .045 (1.2 mm) wire x 1.125 | 1 (10 per pkg) |
| | 172034 ¹ | Tip, contact scr 3/64 (1.19 mm) wire x 1.125 | 1 (10 per pkg) |
| 3 | 169728 | Adapter, contact tip | 1 (2 per pkg) |
| 4 | 169729 | Adapter, nozzle | 1 (2 per pkg) |
| 5 | 170468 | O-Ring | 1 (10 per pkg) |
| 6 | 169730 | Washer, shock | 1 |
| 7 | 169731 | Tube, head | 1 |
| 8 | 169738 | Nut, locking handle | 2 |
| 9 | 169732 | Nut, jam | 1 |
| 10 | 169737 | Handle, front | 1 |
| 11 | 227799 | Handle, rear | 1 |
| 12 | 227800 | Cord, trigger assembly | 1 |
| 13 | 209495 | Connector, feeder (includes) | 1 |
| 14 | 079974 | O-Ring, .500 ID x .103CS rbr | 2 |
| 15 | 194010 | Kit, liner monocoil | 1 |
| | | .023/.025 (0.6 mm) wire x 15 ft (includes) | |
| 15 | 194011 | Kit, liner monocoil | 1 |
| | | .030 - .035 (0.8 - 0.9 mm) wire x 15 ft (includes) | |
| 15 | 194012 | Kit, liner monocoil | 1 |
| | | .035 - .045 (0.9 - 1.2 mm) wire x 15 ft (includes) | |
| 15 | 194014 ¹ | Kit, liner monocoil | 1 |
| | | 3/64 (1.19 mm) aluminum wire x 15 ft (includes) | |
| 16 | 079975 | O-Ring, .187 ID x .103CS rbr | 1 |
| 17 | 227798 | Switch, trigger | 1 |
| 18 | 2520033 | Cable strain relief 2 & 3 | 1 |
| 19 | 2280056 | Screw | 1 |
| 20 | 169746 | Terminal | 1 |

¹Included with 172136 Kit, Aluminum Conversion .047 in (1.2 mm)
²Standard on all guns.

M-25 can be used on:*

- Millermatic® 200
- Millermatic® 210/212/250x/251/252
- Millermatic® 250
- Millermatic® Vintage
- Millermatic® Reach Wire Feeder

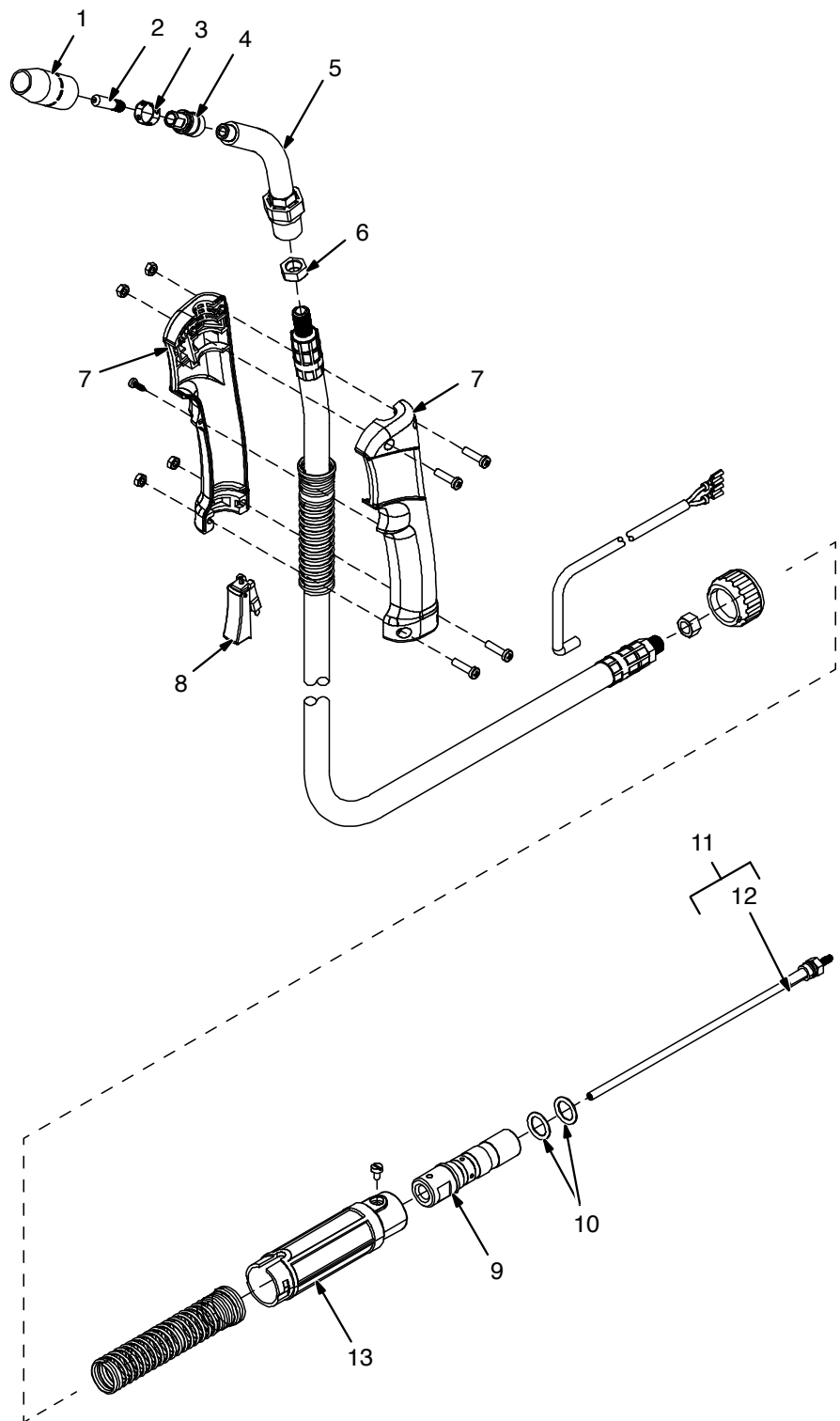
*For a detailed listing, please reference page 11.



M-25 Gun

M-80 Service Parts/Consumables

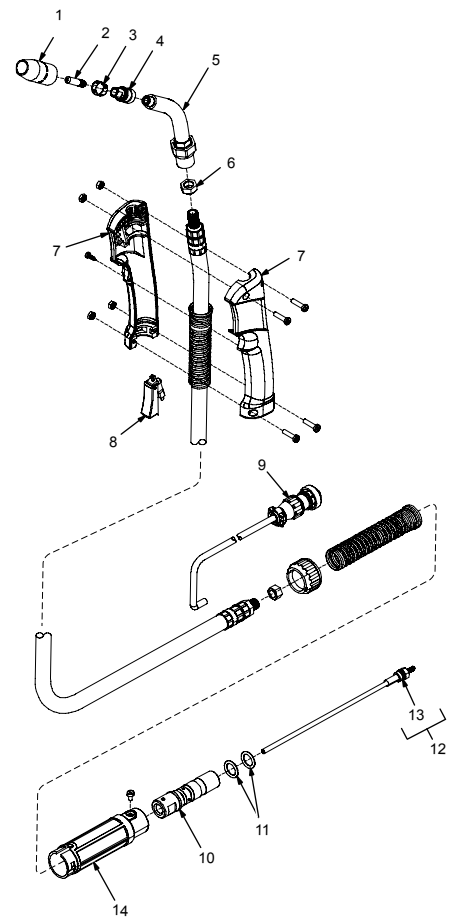
| Item # | Part # | Description | Quantity |
|--------|--------|---|----------|
| | 273618 | M-80 Gun, 8 ft (2.4 m), 100A, .030-.035 (0.8-0.9 mm) | |
| 1 | 246372 | Nozzle, slip type .500 orf flush | 1 |
| 1 | 226190 | Nozzle, flux cored slip type | 1 |
| 2 | 087299 | Tip, contact scr, .023 (0.6 mm) wire x 1.125 | 1 |
| 2 | 000067 | Tip, contact scr, .030 (0.8 mm) wire x 1.125 | 1 |
| 2 | 000068 | Tip, contact scr, .035 (0.9 mm) wire x 1.125 | 1 |
| 2 | 000069 | Tip, contact scr, .045 (1.2 mm) wire x 1.125 | 1 |
| 3 | 170470 | Ring, retaining | 1 |
| 4 | 169716 | Adapter, contact tip | 1 |
| 5 | 246373 | Tube, head | 1 |
| 6 | 243865 | Nut, jam | 2 |
| 7 | 246082 | Handle | 1 |
| 8 | 246376 | Switch, trigger | 1 |
| 9 | 242833 | Connector, feeder | 1 |
| 10 | 079974 | O-Ring, .50 ID X .103CS rbr | 2 |
| 11 | 194010 | Liner, monocoil .023/.025 (0.6 mm) wire x 15 ft (includes) | 1 |
| 11 | 194011 | Liner, monocoil .030-.035 (0.8-0.9 mm) wire x 15 ft (includes) | 1 |
| 11 | 194012 | Liner, monocoil .035-.045 (0.9-1.2 mm) wire x 15 ft (includes) | 1 |
| 12 | 079975 | O-Ring, .187 ID x .103CS rbr | 1 |
| 13 | 246380 | Housing, power pin M-100 | 1 |





M-100/M-150 Service Parts/Consumables

| Item # | Part # | Description | Quantity M-100 / M-150 | |
|--------|--------|---|---------------------------|----------------|
| | 248282 | M-100 Gun, 10 ft (3 m), 100A, .030-.035 (0.8-0.9 mm) | | |
| | 249039 | M-150 Gun, 10 ft (3 m), 150A, .030-.035 (0.8-0.9 mm) | | |
| | 249040 | M-150 Gun, 12 ft (3.7 m), 150A, .030-.035 (0.8-0.9 mm) | | |
| | 249041 | M-150 Gun, 15 ft (4.6 m), 150A, .030-.035 (0.8-0.9 mm) | | |
| 1 | 246372 | Nozzle, slip type, .500 (12.7 mm) orf flush | 1 | 1 (2 per pkg) |
| | 226190 | Nozzle, slip type, flux cored | 1 | 1 |
| 2 | 087299 | Tip, contact scr, .023 (0.6 mm) wire x 1.125 | 1 | 1 (10 per pkg) |
| | 000067 | Tip, contact scr, .030 (0.8 mm) wire x 1.125 | 1 | 1 (10 per pkg) |
| | 000068 | Tip, contact scr, .035 (0.9 mm) wire x 1.125 | 1 | 1 (10 per pkg) |
| | 000069 | Tip, contact scr, .045 (1.2 mm) wire x 1.125 | 1 | 1 (10 per pkg) |
| 3 | 170470 | Ring, retaining | 1 | 1 |
| 4 | 169716 | Adapter, contact tip | 1 | 1 (2 per pkg) |
| 5 | 246373 | Tube, head | 1 | 1 |
| 6 | 243865 | Nut, jam | 2 | 2 |
| 7 | 246082 | Handle | 1 | 1 |
| 8 | 246376 | Switch, Blue trigger | 1 | 1 |
| 9 | 079878 | Housing Plug and Pins | 1 | 1 |
| 10 | 242833 | Connector, feeder | 1 | 1 |
| 11 | 079974 | O-Ring, .500 ID x .103CS rbr | 2 | 2 |
| 12 | 194010 | Kit, liner monocoil .023/.025 (0.6 mm) wire x 15 ft (includes) | 1 | 1 |
| | 194011 | Kit, liner monocoil .030-.035 (0.8-0.9 mm) wire x 15 ft (includes) | 1 | 1 |
| | 194012 | Kit, liner monocoil .035-.045 (0.9-1.2 mm) wire x 15 ft (includes) | 1 | 1 |
| 13 | 079975 | O-Ring, .187 ID x .103CS rbr | 1 | 1 |
| 14 | 246380 | Housing, power pin | 1 | 1 |



M-100 can be used on:*

- SideKick™
- SideKick™ XL/Cricket® XL/Millermatic® 90
- Millermatic® 130
- Millermatic® 130 XP
- Millermatic® 135/140s/175/180s/DVİS®/211
- Millermatic® Challenger™
- Millermatic® Challenger™ 172
- Millermatic® Passport™/Passport™ Plus
- Millermatic® 141
- Millermatic® 190

M-150 can be used on:*

- SideKick™ XL/Cricket® XL/Millermatic® 90
- Millermatic® 120/150
- Millermatic® 130
- Millermatic® 130 XP
- Millermatic® 135/140s/175/180s/DVİS®/211
- Millermatic® Challenger™
- Millermatic® Challenger™ 172
- Millermatic® 185
- Millermatic® Pulsar

*For a detailed listing, please reference page 11.

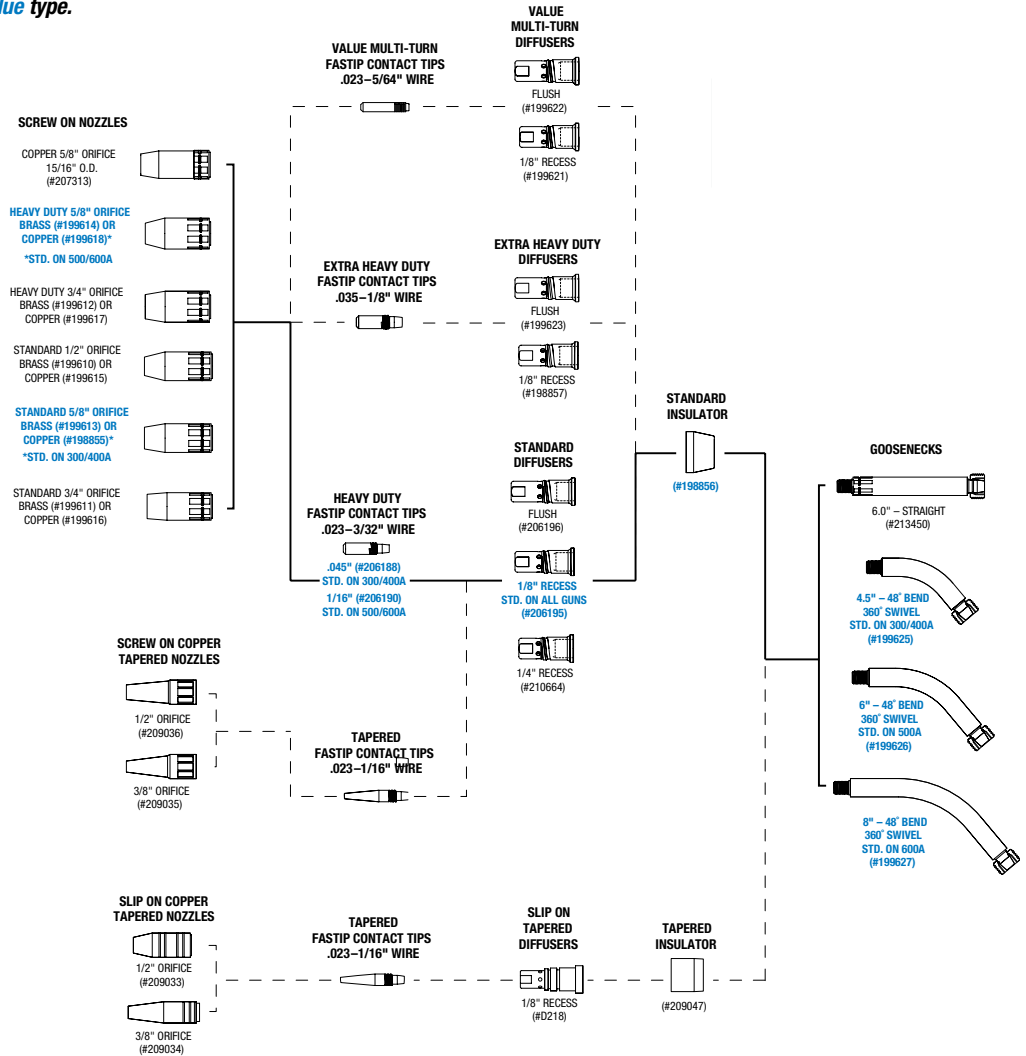
Optional M-Series Gun Nozzles and Tips

| Part # | Description | Quantity |
|--------|--|----------|
| | M-25 and M-40 Tapered Nozzles | |
| 176243 | Nozzle, Tapered 3/8 in (9.5 mm) | 1 |
| 178386 | Nozzle, Tapered 11/32 in (8.7 mm) | 1 |
| | M-25 and M-40 Tapered Contact Tips (1/4 in OD x 1.312 in) | |
| 176797 | Contact Tip, Tapered .030 in (0.8 mm) | 10 |
| 176793 | Contact Tip, Tapered .035 in (0.9 mm) | 10 |
| 176794 | Contact Tip, Tapered .045 in (1.2 mm) | 10 |
| | M-25 and M-40 Heavy-Duty Spray Contact Tips (5/16 in OD x 1.125 in) | |
| 187117 | Contact Tip, Heavy Duty .035 in (0.9 mm) | 25 |
| 187118 | Contact Tip, Heavy Duty .045 in (1.2 mm) | 25 |



Roughneck® Consumables

Note: Standard gun components are in blue type.

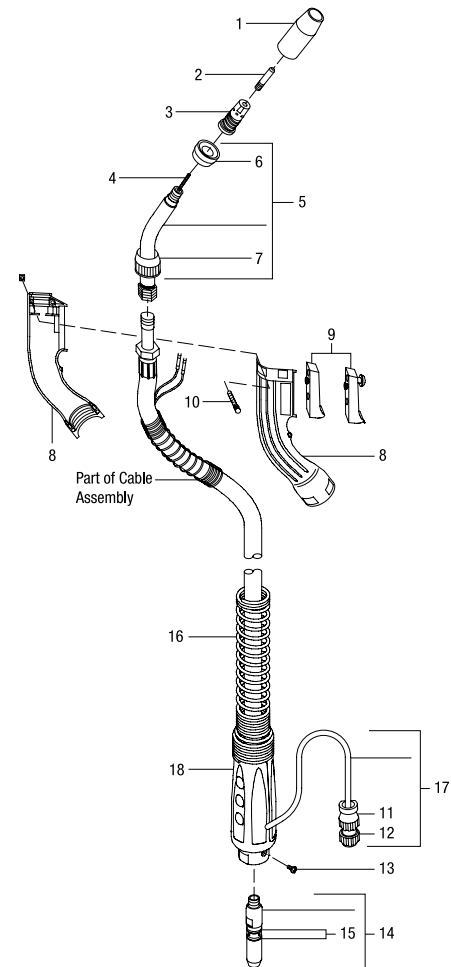


Roughneck® Contact Tips

| (10 p/pkg) | (25 p/pkg) | Description | (10 p/pkg) | (25 p/pkg) | Description |
|---------------------------------|---------------------|--|----------------------------------|------------|----------------------------|
| Heavy-Duty FasTip™ | | | Tapered FasTip™ | | |
| — | 206184 | .023 in (0.6 mm) | — | 209024 | .023 in (0.6 mm) |
| — | 206185 | .030 in (0.8 mm) | — | 209025 | .030 in (0.8 mm) |
| 223016 | 206186 | .035 in (0.9 mm) | — | 209026 | .035 in (0.9 mm) |
| 223017 | 206187 | .040 in (1.0 mm) | — | 209027 | .045 in (1.2 mm) |
| 223018 ¹ | 206188 ¹ | .045 in (1.2 mm) | — | 209028 | 3/64 in (1.2 mm) |
| 223019 | 206189 | .052 in (1.3 mm) or 3/64 in (1.2 mm) alum wire | — | 209029 | .052 in (1.3 mm) |
| 223200 ² | 206190 ² | 1/16 in (1.6 mm) | — | 209030 | 1/16 in (1.6 mm) |
| — | 206191 | .068 in (1.7 mm) | Value Multi-Turn | | |
| — | 206192 | 5/64 in (2.0 mm) | — | 087300 | .023 in (0.6 mm) |
| — | 206193 | 3/32 in (2.4 mm) | — | 071825 | .030 in (0.8 mm) |
| Extra Heavy-Duty FasTip™ | | | — | 054202 | .035 in (0.9 mm) |
| — | 199605 | .035 in (0.9 mm) | — | 054201 | .045 in (1.2 mm) |
| — | 199606 | .040 in (1.0 mm) | — | 199593 | 3/64 in (1.2 mm) alum wire |
| — | 198851 | .045 in (1.2 mm) | — | 047566 | 1/16 in (1.6 mm) |
| — | 198852 | .052 in (1.3 mm) or 3/64 in (1.2 mm) alum wire | — | 199594 | .068 in (1.8 mm) |
| — | 198853 | 1/16 in (1.6 mm) | ¹ Optional | | |
| — | 198854 | .068 in (1.7 mm) | ² For all gun lengths | | |
| — | 199609 | 7/64-1/8 in (2.8 mm) | | | |

Roughneck® C-Series Service Parts/Consumables

| Item # | Part # | Description | Quantity |
|--------------|---------------|---|---|
| 1 | 198855 | Nozzle, scr type copper 5/8 in orifice | 1 |
| | 199618 | Nozzle, scr type copper 5/8 in orifice heavy-duty | 1 |
| 2 | 223018 | Tip, contact, .045 in (1.2 mm) heavy-duty FasTip™ | 1 (10 per pkg) |
| | 206188 | Tip, contact, .045 in (1.2 mm) heavy-duty FasTip™ | 1 (25 per pkg) |
| | 223200 | Tip, contact, 1/16 in (1.6 mm) heavy-duty FasTip™ | 1 (10 per pkg) |
| | 206190 | Tip, contact, 1/16 in (1.6 mm) heavy-duty FasTip™ | 1 (25 per pkg) |
| 3 | 206195 | Diffuser, gas 1/8 in tip recess – for standard and heavy-duty FasTip™ | 1 |
| 4 | 202889 | Liner, monocoil .023–.030 wire x 15 ft round wound | 1 |
| | 202890 | Liner, monocoil .035–.045 wire x 15 ft round wound | 1 |
| | 202891 | Liner, monocoil .052–1/16 wire x 15 ft round wound | 1 |
| | 202892 | Liner, monocoil 1/16–.078 wire x 15 ft flat wound | 1 |
| | 202893 | Liner, monocoil 5/64–3/32 wire x 15 ft flat wound | 1 |
| | 202894 | Liner, monocoil 7/64–1/8 wire x 15 ft flat wound | 1 |
| | 202895 | Liner, monocoil 3/64–1/16 wire x 15 ft aluminum wires | 1 |
| | 5 | 199625 | Gooseneck, jacketed 4.5 in/50° wrench swivel (C-30 / C-40) (includes) |
| 199626 | | Gooseneck, jacketed 6 in/50° wrench swivel (C-50) (includes) | 1 |
| 199627 | | Gooseneck, jacketed 8 in/50° wrench swivel (C-60) (includes) | 1 |
| 213450 | | Gooseneck, jacketed 6 in/straight (optional for C-30 / C-40 / C-50 / C-60) (includes) | 1 |
| 6 | | 198856 | Insulator, rubber |
| 7 | 202292 | Cover, nut | 1 |
| 8 | 199630 | Handle, small pair flared P style (C-30 / C-40 includes) | 1 |
| | 199631 | Handle, large pair (C-50 / C-60 includes) | 1 |
| | 199634 | Screw, M3 x 11 (for 199630 C-30 / C-40 Handle only) | 1 |
| | 199635 | Nut, M3 Hex (for 199630 C-30 / C-40 Handle only) | 1 |
| | 199632 | Screw, M4 x 18 | 4 |
| | 199633 | Nut, M4 square | 4 |
| | 199647 (N/A) | Label, gun handle Miller® Roughneck | 2 |
| | 9 | 199628 | Switch, blue trigger |
| 199661 (N/A) | | Switch, locking trigger (optional) | 1 |
| 10 | 199629 | Switch, contact pin | 2 |
| 11 | 079531 | Conn, circ cpc clamp str rlf size 11.453 OD | 1 |
| 12 | 079878 | Housing plug + pins (service kit) | 1 |
| 13 | 199637 | Screw, machine binding head | 1 |
| 14 | 199640 | Adapter, Miller® power pin (includes) | 1 |
| | 079974 | O-ring, Miller® power pin | 2 |
| 16 | 2520033 | Cable Strain Relief 2 & 3 (300 Amp) | 1 |
| | 2520041 (N/A) | Strain Relief Assy – Contact Bernard (400, 500, 600 Amp) | |
| 17 | GN2021 | Electrical Plug – Non D/S (Includes items 11 & 12) | 1 |
| 18 | 227650 | Strain Relief, Rear (works on all Amp guns) | 1 |



Aluminum Adapter Kit 202895

Steel wrapped nylon liner allows 10 ft Roughneck welding guns to feed 3/64–1/16 in (1.2–1.6 mm) aluminum wire.

Note: For a complete listing of Roughneck consumables see page 17.

Please see chart to the right for a complete listing of replacement Roughneck C-Series MIG Guns with Bernard BTB MIG Guns.

Roughneck MIG Gun Replacement

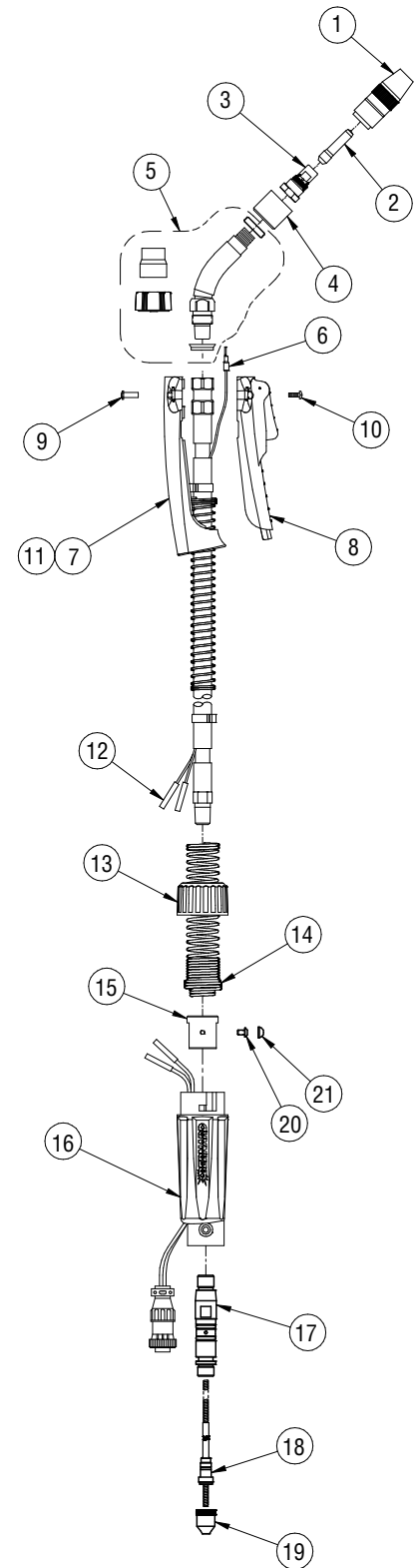
| Stock No. | Model No. | Length | Replaced by Bernard BTB MIG Guns |
|-----------|-----------|--------------|----------------------------------|
| 194751 | C-3010 | 10 ft (3m) | Q3010TE5EMC |
| 194752 | C-3012 | 12 ft (3.7m) | Q3012TE5EMC |
| 194753 | C-3015 | 15 ft (4.6m) | Q3015TE5EMC |
| 194754 | C-4010 | 10 ft (3m) | Q4010TE5EMC |
| 194755 | C-4012 | 12 ft (3.7m) | Q4012TE5EMC |
| 194756 | C-4015 | 15 ft (4.6m) | Q4015TE5EMC |
| 194757 | C-5010 | 10 ft (3m) | S5010GH5IMC |
| 194758 | C-5012 | 12 ft (3.7m) | S5012GH5IMC |
| 194759 | C-5015 | 15 ft (4.6m) | S5015GH5IMC |

Bernard™ 150 Amp MIG Gun Service Parts/Consumables

| Item # | Part 235570 | Description 150A 10 ft. |
|--------|-------------------|---|
| 1 | NS-1200B | Centerfire™ Nozzle Assy |
| 2 | T-030 | Centerfire Contact Tip |
| 3 | DS-1 | Centerfire Gas Diffuser |
| 4 | 4523R | Cap |
| 5 | QT2-45 | Neck |
| 6 | 2660001 | Terminal, Quick Disconnect (2 Req'd) |
| 7 | 1780062 | Handle Half, Lower |
| 8 | 2620054 | Switch Assy, Handle Half, Upper |
| 9 | 4207 | Post Fastener (2 Req'd) |
| 10 | 4209 | Handle Screw (2 Req'd) |
| 11 | 1880194' (N/A) | Handle Kit - (Includes: (1) #8, (1) #9, (2) #10, (2) #11) |
| 12 | 4932' (N/A) | Butt Connector (2 Req'd) |
| 13 | 2520007 | Cap, Rigid Strain Relief |
| 14 | 2520048 | Spring, Strain Relief |
| 15 | M1010027-1' (N/A) | Adaptor Block |
| 16 | 2520047M' (N/A) | Strain Relief with Trigger Cable |
| 17 | 2200137' (N/A) | Miller® Power Pin |
| 18 | 194011 | Liner |
| 19 | 214-9' (N/A) | Miller® Power Pin Tip |
| 20 | 2280065 | Screw, Strain Relief (Not Req'd on Bernard Direct Plug) |
| 21 | 1620003' (N/A) | Screw Cover, Strain Relief (1 Req'd) |

Part is only available through Bernard 1-855-MIGWELD (644-9353).

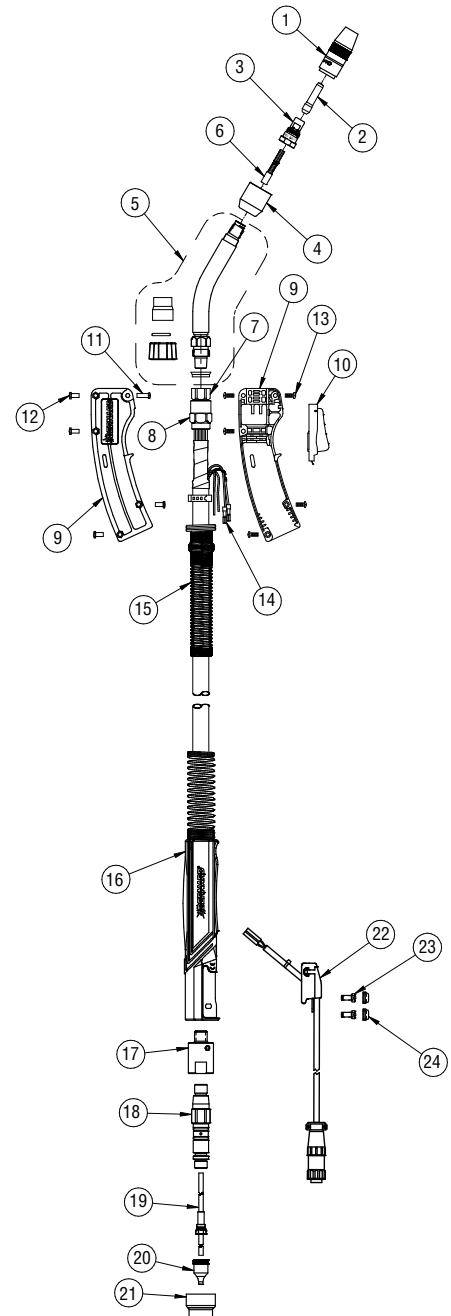
| Part # | Integrated Miller® Product | Standard Configuration | Cable Length | Duty Cycle |
|--------|----------------------------|------------------------|----------------|------------|
| 235570 | Multimatic™ 200 | .030 in (.8mm) | 10 ft (3.05 m) | 100% |



For other products not listed in catalog, please contact Bernard at 1-855-MIGWELD (644-9353) or visit BernardWelds.com

Bernard™ 200 Amp BTB MIG Gun Service Parts/Consumables

| Item # | Part Q2012AD8RMC | Description |
|--------|------------------|--|
| 1 | NS-1218B | Centerfire™ Nozzle |
| 2 | T-047AL | Centerfire Contact Tip |
| 3 | DS-1 | Centerfire Gas Diffuser |
| 4 | 4523R | Insulator Cap |
| 5 | QT3-30 | Neck |
| 6 | 415-25 | Jump Liner |
| 7 | 4213B | Stay-Tite™ End Fitting |
| 8 | 4305 | Stay-Tite Cone Nut |
| NS | 4992 | Conduit Clamp (2 Req'd) |
| NS | 4939 | Jacket Clamp (2 Req'd) |
| 9 | 1880155 | Handle Kit, Standard Trigger (Includes Halves, Screws & Posts) |
| 10 | 5662 | Trigger, Standard |
| 11 | 4207 | Post Fastener (1 Req'd - Q300) |
| 12 | 2030004 | Post Fastener, Short (4 Req'd) |
| 13 | 4209 | Handle Screw (5 Req'd) |
| 14 | 2660001 | Terminal, Quick Disconnect (2 Req'd) |
| 15 | 2520074 | Handle Spring |
| 16 | 410 | Straight Rear Strain Relief |
| 17 | 414-400 | Adaptor Block |
| 18 | 2200137 | Miller® Power Pin Assembly |
| 19 | 415-45-03 | Liner |
| 20 | 214-9 | Power Pin tip |
| 21 | 414-400-20 | Power Pin Insulator |
| 22 | 1810053 | Rear Terminal Housing/Plug |
| 23 | 411-3M | Screw, Trigger Housing (2 Req'd) |
| 24 | 1620004 | Cover, Rear Screw (2 Req'd) |



200 Amp MIG Gun, Miller® Connection

| Part # | Integrated Miller® Product | Standard Configuration | Cable Length | Duty Cycle |
|--------|--|------------------------|----------------|------------|
| 271030 | Millermatic® 350P Auto Body Aluminum Package | 3/64 in (1.2 mm) | 12 ft (3.66 m) | 100% |

Gun can be converted to run .035" (0.9 mm) wire by simply changing the contact tip.

Duty cycle measured using CO₂. Ratings with mixed gas are reduced by 10 - 50% depending on gas mixture and welding parameters.



For other products not listed in catalog, please contact Bernard at 1-855-MIGWELD (644-9353) or visit BernardWelds.com

Bernard™ 300 Amp BTB MIG Gun Service Parts/Consumables

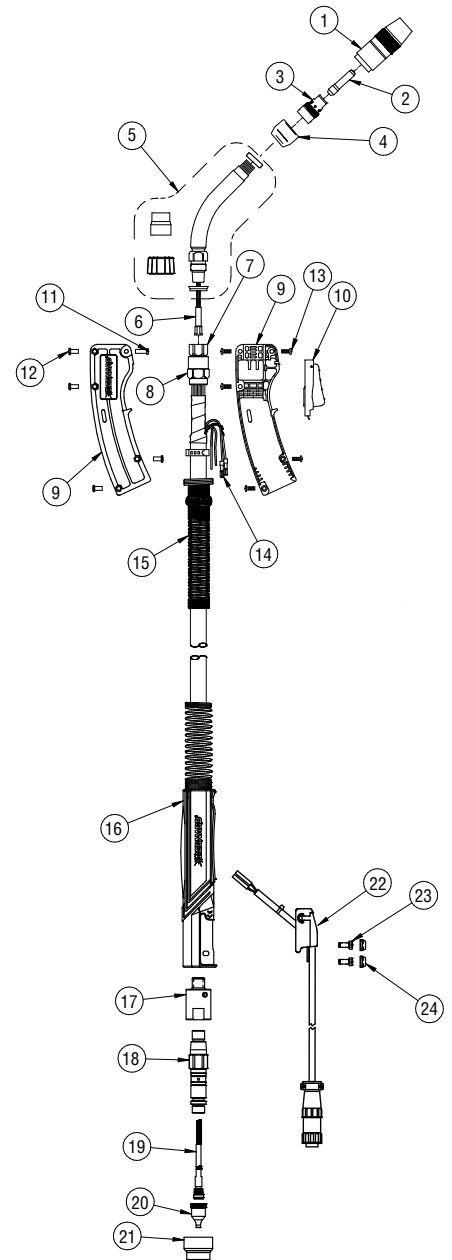
| Item # | Part Q3015AE8XMC | Part Q3015AE8HMC | Description |
|--------|-------------------|------------------|--------------------------------------|
| 1 | N-5800C | NS-5818C | Centerfire™ Nozzle |
| 2 | T-045 | T-052 | Centerfire Contact Tip |
| 3 | D-1 | DS-1 | Centerfire Gas Diffuser |
| 4 | 4423R | 4323R | Insulator Cap |
| 5 | QT3-45 | | Neck |
| 6 | QJL-3545 | QJL-116 | Jump Liner |
| 7 | 4213B | | Stay-Tite™ End Fitting |
| 8 | 4305 | | Stay-Tite™ Cone Nut |
| NS | 4991' (N/A) | | Conduit Clamp (2 Req'd) |
| NS | 4939' (N/A) | | Jacket Clamp (2 Req'd) |
| 9 | 1880155 | | Handle Kit, Standard |
| 10 | 5662 | | Trigger, Standard |
| 11 | 4207 | | Post Fastener (1 Req'd) |
| 12 | 2030004' (N/A) | | Post Fastener, Short (4 Req'd) |
| 13 | 4209 | | Handle Screw (5 Req'd) |
| 14 | 2660001 | | Terminal, Quick Disconnect (2 Req'd) |
| 15 | 2520074' (N/A) | | Handle Spring |
| 16 | 410' (N/A) | | Straight Rear Strain Relief |
| 17 | 414-400' (N/A) | | Adaptor Block |
| 18 | 2200137' (N/A) | | Miller® Power Pin Assembly |
| 19 | L3A-15 | L4A-15 | Liner |
| 20 | 214-116' (N/A) | | Power Pin Tip |
| 21 | 414-400-20' (N/A) | | Power Pin Insulator |
| 22 | 1810053 | | Rear Terminal Housing/Plug |
| 23 | 411-3M' (N/A) | | Screw, Trigger Housing (2 Req'd) |
| 24 | 1620004' (N/A) | | Cover, Rear Screw (2 Req'd) |

**Part is only available through Bernard 1-855-MIGWELD (644-9353).*

300 Amp BTB MIG Gun, Miller® Connection

| Part # | Integrated Miller® Product | Standard Configuration | Cable Length | Duty Cycle |
|-------------|---|-----------------------------|----------------|------------|
| Q3015AE8XMC | 22A and 24A Feeders, Millermatic® 350/350P | .045 in (1.2 mm), Flush Tip | 15 ft (4.57 m) | 100% |
| Q3015AE8HMC | Suitcase 8RC, 8VS, X-TREME 8VS, 12RC, X-TREME 12VS MIG Packages | .052 in (1.4 mm) | 15 ft (4.57 m) | 100% |

*Q3015AE8XMC can be converted to run .035" (0.9 mm) wire by simply changing the contact tip.
Q3015AE8HMC can be converted to run .045" (1.2 mm) or 1/16" (1.6 mm) wire.*



For other products not listed in catalog, please contact Bernard at 1-855-MIGWELD (644-9353) or visit BernardWelds.com

Bernard™ 400 Amp BTB MIG Gun Service Parts/Consumables

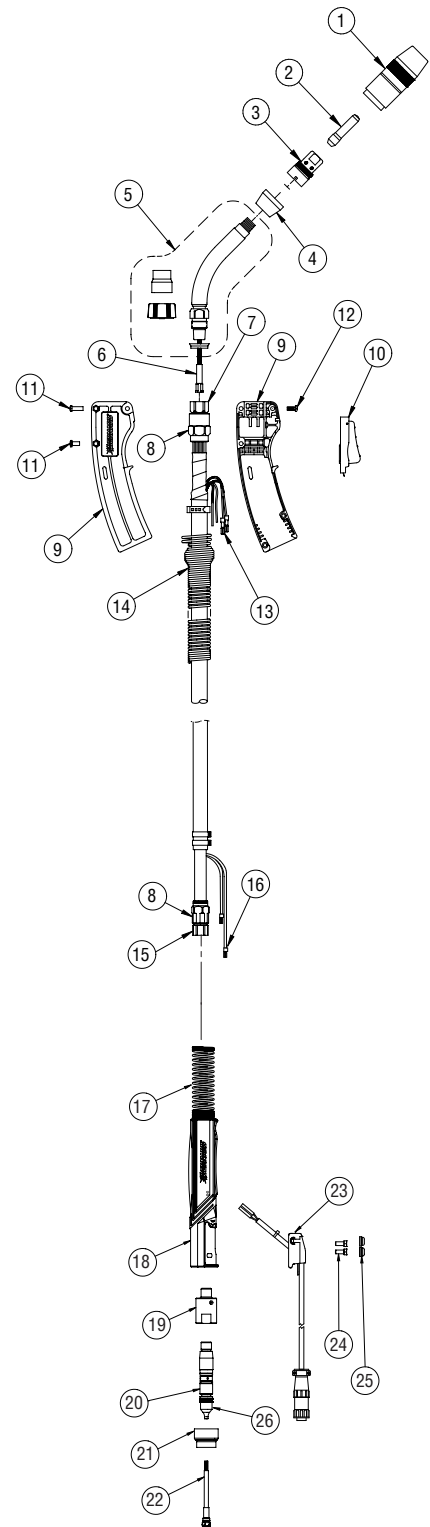
| Item # | Part Q4015AE8EMC | Description | Quantity |
|--------|------------------|--------------------------------------|----------|
| 1 | N-5818C | Centerfire™ Nozzle | |
| 2 | T-045 | Centerfire Contact Tip | |
| 3 | D-1 | Centerfire Gas Diffuser | |
| 4 | 4423R | Insulator Cap | |
| 5 | QT3-45 | Neck | |
| 6 | QJL-3545 | Jump Liner | |
| 7 | 4313B | Stay-Tite™ End Fitting | |
| 8 | 1540003 | Stay-Tite™ Cone Nut | |
| NS | 4992 | Conduit Clamp (2 Req'd) | |
| NS | 4939' | Jacket Clamp (2 Req'd) | |
| 9 | 1880198 | Handle Kit, Standard | |
| 10 | 5662 | Trigger, Standard | |
| 11 | 4207 | Post Fastener (1 Req'd) | |
| 12 | 4209 | Handle Screw (5 Req'd) | |
| 13 | 2660001 | Terminal, Quick Disconnect (2 Req'd) | |
| 14 | 2520042' | Handle Spring | |
| 15 | 1680088' | End Fitting, Rear | |
| 16 | 412-1' | Switch Connector (2 Req'd) | |
| 17 | 2520041' | Spring, Strain Relief | |
| 18 | 410 | Straight Rear Strain Relief | |
| 19 | 414-400' | Adaptor Block | |
| 20 | 2200137' | Miller® Power Pin | |
| 21 | 414-400-20' | Power Pin Insulator | |
| 22 | L3A-15 | Liner | |
| 23 | 1810053' | Terminal Housing/Plug | |
| 24 | 411-3M' | Screw, Trigger Housing (2 Req'd) | |
| 25 | 1620004' | Screw, Cover Rear Housing (2 Req'd) | |
| 26 | 214-116 | Power Pin Tip | |

¹ Part is only available through Bernard 1-855-MIGWELD (644-9353).

400 Amp BTB MIG Gun, Miller® Connection

| Part # | Integrated Miller® Product | Standard Configuration | Cable Length | Duty Cycle |
|-------------|--|------------------------|----------------|------------|
| Q4015AE8EMC | 70 Series, R-115 Feeders, All Access feeders | .045 in (1.2 mm) | 15 ft (4.57 m) | 100% |

Gun can be converted to run .035" (0.9 mm) by simply changing the contact tip.



For other products not listed in catalog, please contact Bernard at 1-855-MIGWELD (644-9353) or visit BernardWelds.com

Liners for Bernard™

200, 300, 400 & 500 Amp BTB MIG Guns
Service Parts/Consumables

Universal Conventional Liner Part Numbers

| Wire Size | Liner Color | 10' (3.05m) | 15'(4.57m) |
|------------|-------------|-----------------------------|---------------------------|
| .023-.030 | Yellow | -- | L1A-15 |
| .030-.035 | Green | -- | L2A-15 (N/A) ¹ |
| .035-.045 | White | L3A-10** ¹ (N/A) | L3A-15* |
| 045-1/16 | Red | L4A-10** ¹ (N/A) | L4A-15** |
| 5/64 | Blue | -- | L6A-15 |
| 3/32 | Grey | -- | L7A-15 |
| 7/64 - 1/8 | Black | -- | L8A-15 |

¹Standard Liner for .035 & .045 Guns

²Standard Liner for 1/16 Guns

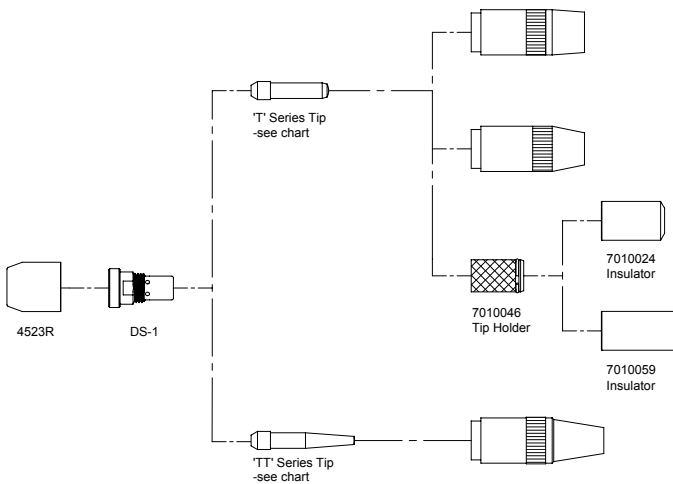
³Part is only available through Bernard 1-855-MIGWELD (644-9353).

Contact Bernard 1-855-MIGWELD (644-9353) for Optional Aluminum/Soft Wire Liners.

Centerfire™ Consumable Series for

200, 300, 400 & 500 Amp BTB MIG Guns
Service Parts/Consumables

Small Centerfire™ Gas Diffusers and Nozzles



NS-5800C (5/8" I.D., Flush, Copper)
NS-5818C (5/8" I.D., 1/8" Rec., Copper)
NS-5800B (5/8" I.D., Flush, Brass)
NS-5818B (5/8" I.D., 1/8" Rec., Brass)

NS-1218C (1/2" I.D., 1/8" Rec., Copper)
NS-1200B (1/2" I.D., Flush, Brass)
NS-1218B (1/2" I.D., 1/8" Rec., Brass)

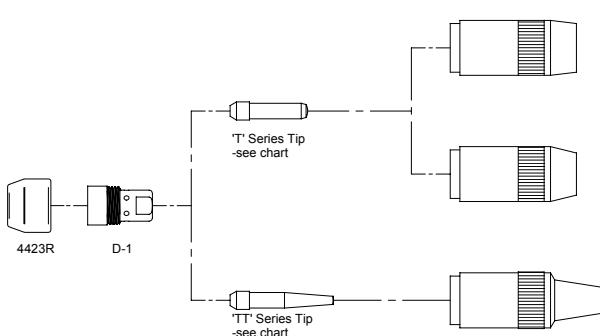
NS-FLX Self-Shielded Conversion Kit
(Includes tip holder and both insulators)

NST-3800B (3/8" I.D., Flush, Brass)
NST-3818B (3/8" I.D., 1/8" Rec., Brass)
NST-38XTB (3/8" I.D., 1/8" Extension, Brass)

T Series Tip

| | |
|-------|----------------|
| T-023 | .023" (.6 mm) |
| T-030 | .030" (.8 mm) |
| T-035 | .035" (.9 mm) |
| T-039 | .039" (1.0 mm) |
| T-045 | .045" (1.2 mm) |
| T-052 | .052" (1.4 mm) |
| T-062 | 1/16" (1.6 mm) |
| T-072 | .072" (1.8 mm) |
| T-078 | 5/64" (2.0 mm) |
| T-094 | 3/32" (2.4 mm) |
| T-109 | 7/64" (2.8 mm) |
| T-125 | 1/8" (3.2 mm) |

Large Centerfire™ Gas Diffusers and Nozzles



N-3400C (3/4" I.D., Flush, Copper)
N-3418C (3/4" I.D., 1/8" Rec., Copper)
N-3414C (3/4" I.D., 1/4" Rec., Copper)
N-3418B (3/4" I.D., 1/8" Rec., Brass)
N-3414B (3/4" I.D., 1/4" Rec., Brass)

N-5800C (5/8" I.D., Flush, Copper)
N-5818C (5/8" I.D., 1/8" Rec., Copper)
N-5814C (5/8" I.D., 1/4" Rec., Copper)
N-5818B (5/8" I.D., 1/8" Rec., Brass)
N-5814B (5/8" I.D., 1/4" Rec., Brass)

NT-3800C (3/8" I.D., Flush, Copper)

TT Series Tip

| | |
|--------|----------------|
| TT-023 | .023" (.6 mm) |
| TT-030 | .030" (.8 mm) |
| TT-035 | .035" (.9 mm) |
| TT-039 | .039" (1.0 mm) |
| TT-045 | .045" (1.2 mm) |
| TT-052 | .052" (1.4 mm) |
| TT-062 | 1/16" (1.6 mm) |

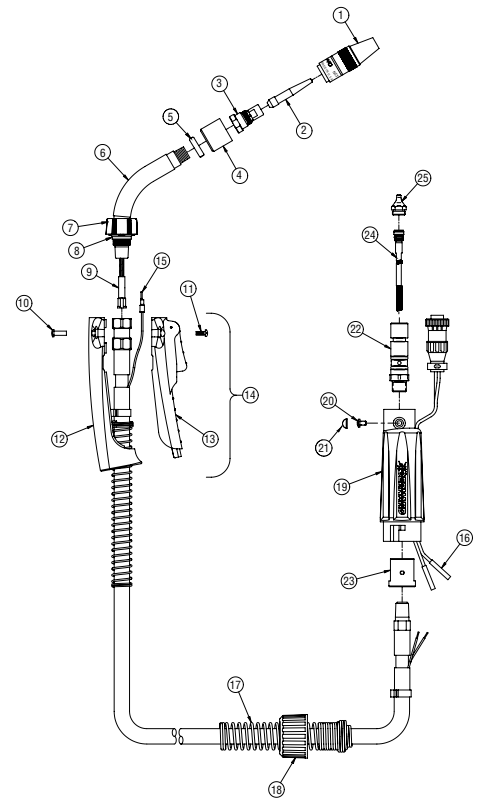


For other products not listed in catalog, please contact Bernard at 1-855-MIGWELD (644-9353) or visit BernardWelds.com

Pipeworx

MIG Gun Part 195399 - 250 Amp 15ft Gun
Service Parts/Consumables

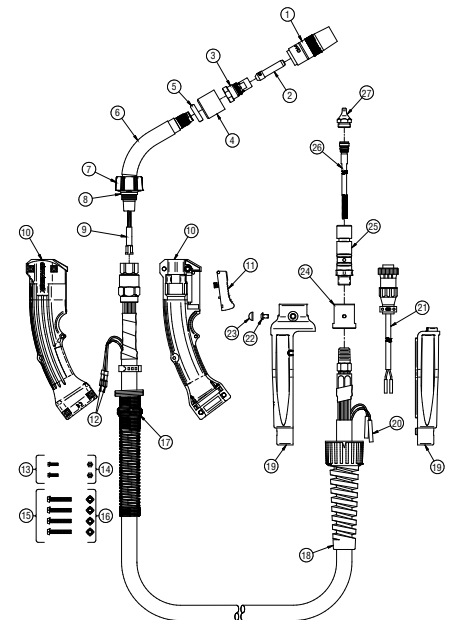
| Item # | Part # | Description |
|--------|------------|--|
| 1 | NST-3800B | Centerfire™ Nozzle |
| 2 | TT-035 | Centerfire Contact Tip |
| 3 | DS-1 | Centerfire Gas Diffuser |
| 4 | 4323R | Insulator Cap |
| 5 | 1840057-2' | Q-Nut Insulator, Front |
| 6 | QT2-60' | Neck |
| 7 | 1840057' | Q-Neck Cover |
| 8 | 1840031 | Q-Neck Insulator, Rear |
| 9 | QJL-3545 | Jump Liner |
| 10 | 4207 | Nut |
| 11 | 4209 | Screw |
| 12 | 1780062 | Handle Half, Upper |
| 13 | 2620054 | Lower Handle Half & Switch Assy. |
| 14 | 1880194' | Handle Kit (Includes items #10, #11, #12, #13) |
| 15 | 2660001 | Terminal |
| 16 | 4932' | Butt Connector |
| 17 | 2520048 | Spring |
| 18 | 2520007' | Strain Relief |
| 19 | 2520047M' | Strain Relief Set with plug |
| 20 | 2280056 | Screw |
| 21 | 1620003 | Screw Cover |
| 22 | 2200101 | Cover, Rear Screw (2 Req'd) |
| 23 | 1010027 | Trigger Control Plug |
| 24 | L3B-15 | Liner |
| 25 | 2200135' | Power Pin Tip |



Pipeworx

MIG Gun Part 195400 - 300 Amp 15ft Gun
Service Parts/Consumables

| Item # | Part # | Description |
|--------|-------------|---|
| 1 | NS-5818C | Centerfire™ Nozzle |
| 2 | T-045 | Centerfire Contact Tip |
| 3 | DS-1 | Centerfire Gas Diffuser |
| 4 | 4323R | Insulator Cap |
| 5 | 1840057-2' | Q-Nut Insulator, Front |
| 6 | QT2-60 | Neck |
| 7 | 1840057' | Q-Neck Cover |
| 8 | 1840031 | Q-Neck Insulator, Rear |
| 9 | QJL-3545 | Jump Liner |
| 10 | 1880219' | Handle Kit (Includes handle and items # 13, 14, 15, 16) |
| 11 | 177488' | Trigger |
| 12 | 177271' | Terminal |
| 13 | 2280044' | Screw |
| 14 | 2030029 | Nut |
| 15 | 203296-005 | Screw |
| 16 | 177272' | Nut |
| 17 | M169700-12' | Handle Spring |
| 18 | 2520033 | Strain Relief |
| 19 | 2520066 | Strain Relief Set |
| 20 | 4932 | Butt Connector |
| 21 | GN2021 | Electrical Connection |
| 22 | 2280056 | Screw |
| 23 | 1620003' | Screw Cover |
| 24 | 1010027 | Adaptor Block |
| 25 | 2200101 | Power Pin Assy. |
| 26 | L3B-15 | Liner |
| 27 | 2200135' | Power Pin Tip |



For other products not listed in catalog, please contact Bernard at 1-855-MIGWELD (644-9353) or visit BernardWelds.com

**Part is only available through Bernard 1-855-MIGWELD (644-9353).*

PipePro® Dura-Flux™ XC Service Parts/Consumables

| Item # | Part 301011 | Description |
|--------|----------------------|---|
| 1 | 7010062 | Insulator Tip |
| 2 | T1116 | Contact Tip, Quik Tip™, 1/16 in (1.6 mm) (Installed On Gun) |
| 3 | 1370240 | Q Neck, Sleeved 6 in x 60 in deg. |
| 4 | QJL-116 | Jump Liner, .045-1/16 in (Installed on Gun) |
| | QJL-564 | Jump Liner, 5/64 in (Included with Gun) |
| 5 | 1760011 | Heat Shield |
| 6 | 2280047 ¹ | Screw, #8-32 x 1-1/2 (2 req'd) |
| 7 | 2030030 ¹ | Nut, #8-32 (2 req'd) |
| 8 | 4209 | Handle Screw (4 Req'd) |
| 9 | 4207 | Post Fastener (4 Req'd) |
| 10 | 5662 | Switch Assy, Trigger |
| 11 | 1880256 ¹ | Handle Kit, Dual Schedule (Includes Handle Halves) |
| 12 | 2660001 | Terminal, Quick Disconnect (2 Req'd) |
| 13 | 2520056 | Spring, Strain Relief |
| 14 | 4932 ¹ | Butt Connector, (2 Req'd) |
| 15 | 1010027 | Adapter Block |
| 16 | 20006A | Electrical Plug - Dual Schedule |
| 17 | 2520066 | Rigid Strain Relief |
| 18 | 2280056 | Screw, Strain Relief |
| 19 | 1620003 ¹ | Screw Cover, Strain Relief |
| 20 | 1880251 ¹ | Miller® Power Pin Kit |
| 21 | 2200131 ¹ | Power Pin, Miller® |
| 22 | 396 ¹ | Set Screw, Liner |
| 23 | 444710 | Liner, .045"-1/16", 10 ft (3.05) Installed on Gun |
| | 444815 | Liner, 5/16", 15 ft (4.57) Included with Gun |

¹Part is only available through Bernard 1-855-MIGWELD (644-9353).
For additional parts call Bernard at 1-855-MIGWELD (644-9353).

Liner Replacement Service and Instructions

Removing Existing Liner

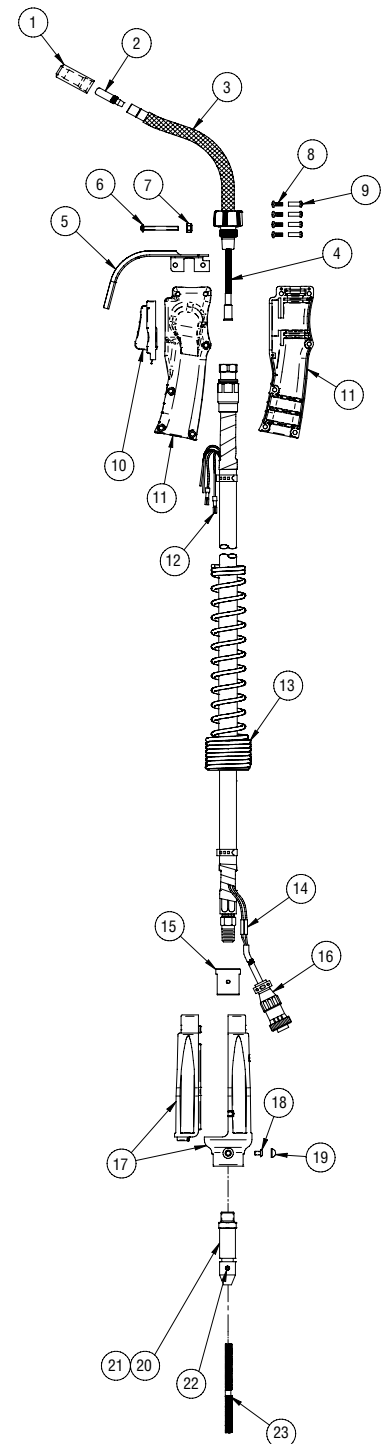
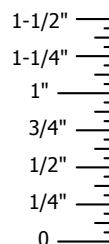
Turn off power. Remove neck from gun assembly. Lay cable straight. Loosen liner retention set screw on the power pin. Grasp liner which protrudes from power pin and remove from cable assembly.

Install Replacement Liner

Insert liner into power pin with cable laying straight. Position the liner so that it extends approximately 1" (25.4 mm) beyond the gun handle. Tighten liner retention set screw to secure liner to cable assembly. Make sure cable is straight before trimming liner. Trim and deburr the front of the liner with 1/4" (6.4 mm) extending beyond the gun handle and reinstall neck. Trim and deburr the back end of the liner with 1/8" (3.2 mm) extending beyond the power pin.

Service

Inspect for excessive wear and debris on the inside diameter. Do not dip liner in solvents for cleaning. Liner may be periodically blown out with shop air. Replace with new liner when excessive wear or debris produces poor electrode feed.

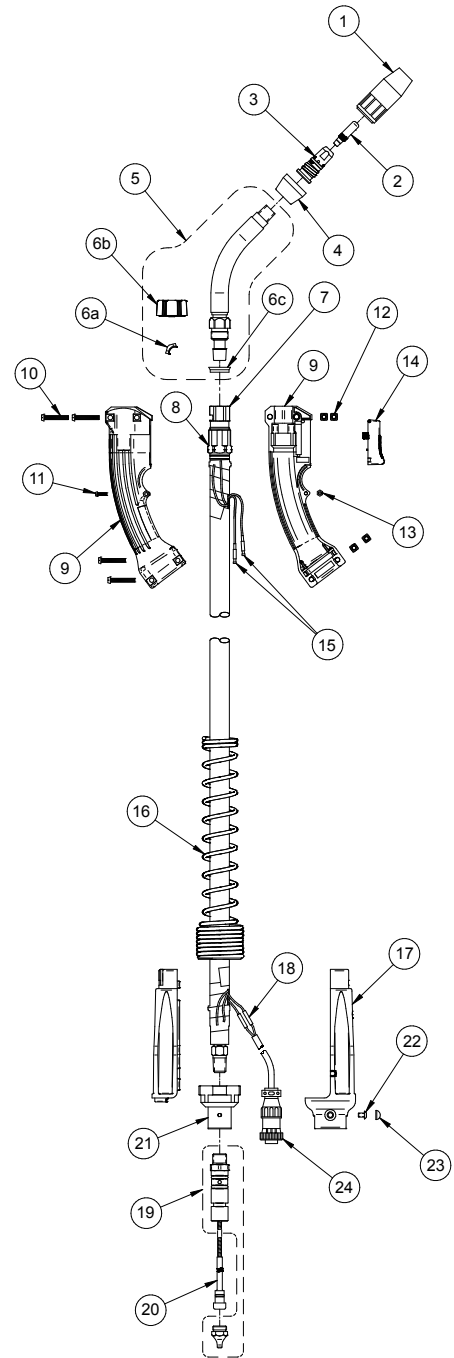


For other products not listed in catalog, please contact Bernard at 1-855-MIGWELD (644-9353) or visit BernardWelds.com

Bernard™ S-Gun™

250 Amp MIG Gun
Service Parts/Consumables

| Item # | Part S2515TE5EM | Description |
|--------|-------------------------|--|
| 1 | N1C58Q ¹ | Nozzle Assy |
| 2 | T1045 | Contact Tip, Quik Tip™, .045 in (1.2 mm) Installed on Gun |
| | T1052 | Contact Tip, Quik Tip™, .052 in (1.4 mm) Included with gun |
| 3 | D118Q | Gas Diffuser |
| 4 | 10012 | Cap |
| 5 | QT3-45L ¹ | Neck, Rotatable/Locking, Medium |
| 6A | 1680074-2 ¹ | End Fitting Lock (Included with Neck) |
| 6B | 1840057 ¹ | Hand Nut (Included with Neck) |
| 6C | 1840031 | Insulator (Included with Neck) |
| 7 | 1680074-1 ¹ | Stay-Tite™ End Fitting |
| 8 | 1540007 ¹ | Stay-Tite Cone Nut |
| NS | 407709-013 ¹ | Jacket Clamp (2 Req'd) |
| 9 | 1880219 ¹ | Handle Kit - Std. Trigger |
| 10 | 203296-005 | Handle Screw, Large (4 Req'd) |
| 11 | 2280044 ¹ | Handle Screw, Small |
| 12 | 177272 ¹ | Handle Nut, (4 Req'd) |
| 13 | 2030029 ¹ | Handle Nut, Small |
| 14 | 177488 ¹ | Trigger, Standard |
| 15 | 177271 ¹ | Trigger Pin (2 Req'd) |
| 16 | 2520056 | Spring Strain Relief |
| 17 | 2520066 | Strain Relief |
| 18 | 4932 | Butt Connector |
| 19 | 1199M ¹ | Miller® Power Pin Assembly |
| 20 | L4A-15 | Liner |
| 21 | 1010036 ¹ | Adapter Block |
| 22 | 2280056 | Screw, Strain Relief |
| 23 | 1620003 ¹ | Screw Cover, Strain Relief |
| 24 | GN2021 | Electrical Plug - Non D/S |



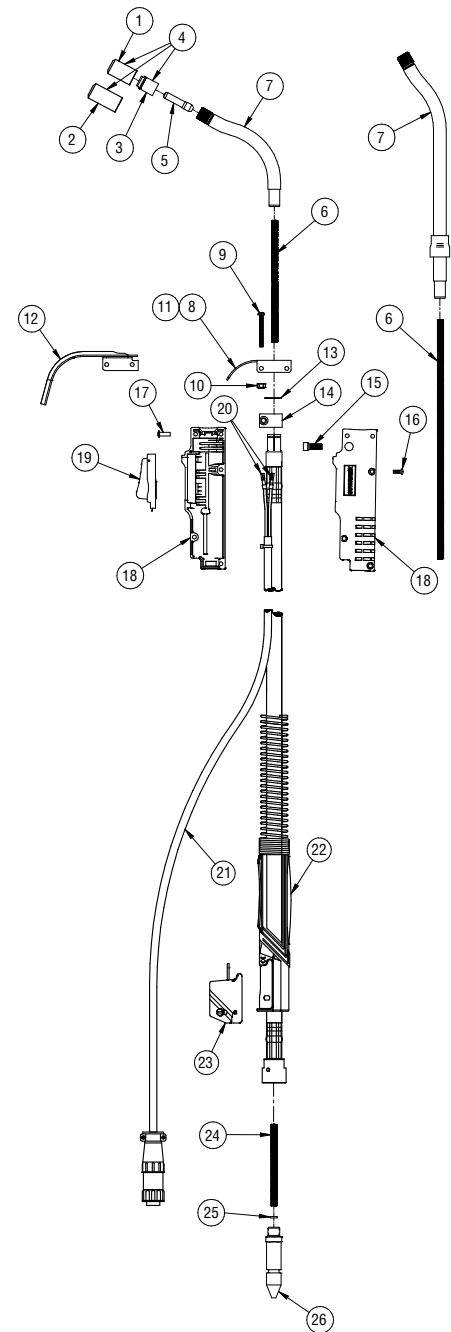
For other products not listed in catalog, please contact Bernard at 1-855-MIGWELD (644-9353) or visit BernardWelds.com

¹ Part is only available through Bernard 1-855-MIGWELD (644-9353).
For additional parts call Bernard at 1-855-MIGWELD (644-9353).



Bernard™ Dura-Flux™ with Fixed Power Cable Liner Service Parts/Consumables

| Item # | Part # FLX3515AM | Description |
|--------|------------------|---|
| 1 | 7010024 | Insulator Tip |
| 2 | 7010059' | Heavy-Duty Insulator Tip |
| 3 | 7010026 | Tip Holder, Slip-On |
| 4 | 1880229 | Tip Holder Kit (Includes: (1) #1, (1) #2, (1) #3) |
| 5 | T-062 | Centerfire™ Contact Tip, 1/16" (1.6 mm) (Included w/Gun) |
| | T-072 | Centerfire Contact Tip, .072" (1.8 mm) (Included w/Gun) |
| | T-078 | Centerfire Contact Tip, 5/64" (2.0 mm) (Included w/Gun) |
| | T-094 | Centerfire Contact Tip, 3/32" (2.4 mm) (Included w/Gun) |
| 6 | 7010031 | Neck Liner, 6" (15.2 cm) |
| | 7010032 | Neck, Liner, 12" (30.5 cm) |
| 7 | | Neck Replacement Kit (Includes: (1) #6, (1) #7) |
| | 1880232 | Sleeved, 6" (15.2 cm) x 30° |
| | 1880222 | Sleeved, 6" (15.2 cm) x 60° |
| | 1880230' | Sleeved, 8" (20.3 cm) x 90° |
| | 1880223 | Sleeved, 12" (30.5 cm) x 30° |
| | 1880231 | Sleeved, 12" (30.5 cm) x 60° |
| | 1880236' | Aluminum Armored, 6" (15.2 cm) x 30° |
| | 1880233 | Aluminum Armored, 6" (15.2 cm) x 60° |
| | 1880235 | Aluminum Armored, 8" (20.3 cm) x 90° |
| | 1880234 | Aluminum Armored, 12" (30.5 cm) x 30° |
| | 1880237' | Aluminum Armored, 12" (30.5 cm) x 60° |
| 8 | 7010034 | Trigger Guard |
| 9 | 2280047' | Screw, #8-32 x 1-1/2 (2 Req'd) |
| 10 | 2030030' | Nut, #8-32 (2 Req'd) |
| 11 | 1880224' | Trigger Guard Kit (Includes: (1) #8, (2) #9, (2) #10) |
| 12 | 1760002 | Heat Shield (Optional) |
| 13 | 2250017 | Snap Ring |
| 14 | 198820 | Clamp |
| 15 | 2280046 | Screw, 1/4-20, Hex Socket |
| 16 | 4209 | Handle Screw (3 Req'd) |
| 17 | 2030004' | Post Fastener (3 Req'd) |
| 18 | 1880225 | Handle Kit (Includes: Handle Halves, (2) #9, (2) #10, (3) #16, (3) #17) |
| 19 | 5662 | Switch Assy, Trigger |
| 20 | 2660001 | Terminal, Quick Disconnect (2 Req'd) |
| 21 | 7010015 | Cord Assembly, 15' (4.57 m) |
| 22 | 610' | Rigid Strain Relief |
| 23 | 416-15' | Housing, Rigid Strain Relief |
| 24 | 7010035 | Liner, Power Pin, Miller® |
| 25 | 4421' | O-Ring |
| 26 | 1880226 | Miller® Power Pin Kit (Includes: Miller® Power Pin, (1) #24, (1) #25) |



For additional parts call Bernard at 1-855-MIGWELD (644-9353).



For other products not listed in catalog, please contact Bernard at 1-855-MIGWELD (644-9353) or visit BernardWelds.com

MIG GUNS



Ironmate™ FC-1150
450-Amp, Self-Shielded
Flux Cored Welding Gun



Ironmate™ FC-1260
350-Amp, Self-Shielded
Flux Cored Welding Gun

Ironmate™ Flux Cored Guns

| Model | Part # | Length | Weight | Rating and Duty Cycle | Wire Size |
|-------------|--------|---------------|-----------------|----------------------------|---|
| FC-1260 | 195732 | 10 ft (3 m) | 8.5 lb (3 kg) | 350 A at 60% Duty Cycle | 1/16–3/32 in (1.6–2.4 mm) ¹ |
| | 195729 | 15 ft (4.6 m) | 11 lb (5 kg) | | |
| FC-1260 90° | 237410 | 10 ft (3 m) | 8.5 lb (3 kg) | 350 A at 60% Duty Cycle | 1/16–3/32 in (1.6–2.4 mm) ¹ |
| | 213439 | 15 ft (4.6 m) | 11 lb (5 kg) | | |
| FC-1260LM | 194912 | 10 ft (3 m) | 8.5 lb (3 kg) | 350 A at 60% Duty Cycle | 1/16–3/32 in (1.6–2.4 mm) ¹ |
| | 194911 | 15 ft (4.6 m) | 11 lb (5 kg) | | |
| FC-1150 | 194864 | 10 ft (3 m) | 9.5 lb (4.3 kg) | 450 A at 60% Duty Cycle | 3/32–1/8 in (2.4–3.2 mm) |
| | 194863 | 15 ft (4.6 m) | 12 lb (5.4 kg) | | |

¹.035 and .045 in (0.9 and 1.2 mm) are available via optional Conversion Kit 199178.

Consumables

| Contact Tips (25 per package) | FC-1260 | FC-1150 |
|--|---------------------|---------------------|
| .035 in (0.9 mm) | 209248 ² | — |
| .045 in (1.2 mm) | 198784 ² | — |
| 1/16 in (1.6 mm) | 198785 | — |
| .068–.072 in (1.7–1.8 mm) | 198786 | — |
| 5/64 in (2.0 mm) | 198788 | — |
| 3/32 in (2.4 mm) | 198790 | 201256 |
| 7/64 in (2.8 mm) | — | 201257 |
| .120 in (3.0 mm) | — | 201258 |
| 1/8 in (3.2 mm) | — | 201259 |
| Insulated Thread Protector (5 per package) | 198800 ³ | — |
| Nozzles | | |
| Insulated Flush | 198801 | 201261 |
| Insulated 2 in (51 mm) Stickout | 198802 | — |
| Insulated 2-3/4 in (70 mm) Stickout | 198803 | 201262 ³ |
| Replacement Liners | | |
| 1/16–3/32 in (1.6–2.4 mm) for Cable | 195731 | — |
| 1/16–3/32 in (1.6–2.4 mm) for Gooseneck (Short) | 198791 | — |
| 1/16–3/32 in (1.6–2.4 mm) for Gooseneck (Medium) | 198792 | — |
| 1/16–3/32 in (1.6–2.4 mm) for Gooseneck (Long) | 198793 | — |
| .045 in (1.2 mm) Conversion for Cable and Gooseneck | 199178 | — |
| 3/32–1/8 in (2.4–3.2 mm) for Cable | — | 201246 |
| 3/32–1/8 in (2.4–3.2 mm) for Gooseneck | — | 201260 |

²Use .045 in Conversion Kit 199178.

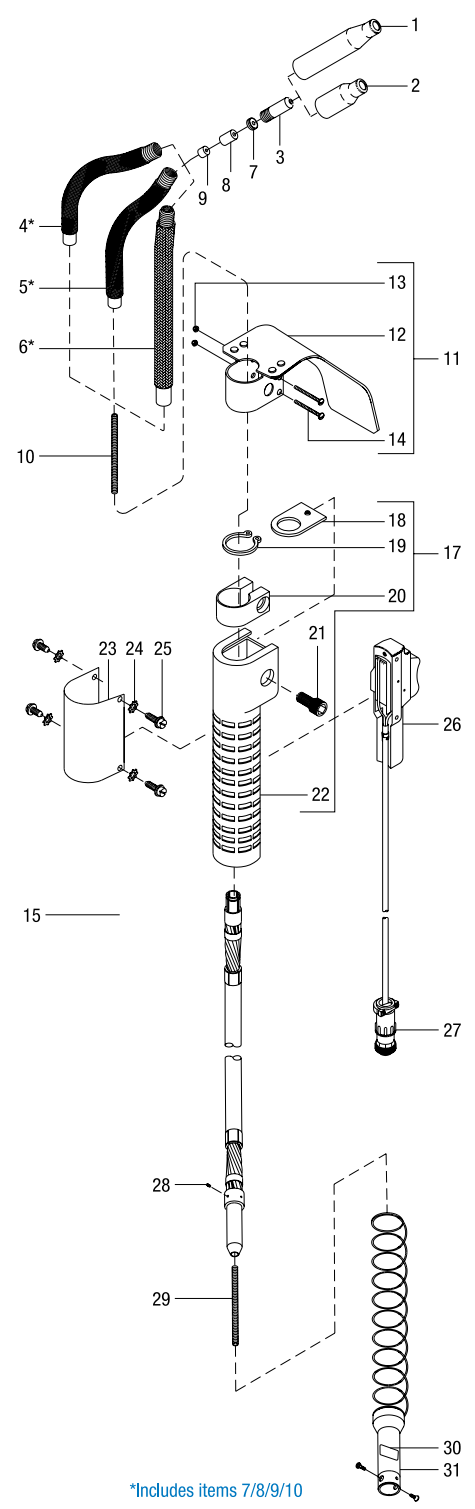
³Standard



Ironmate™ FC-1150 Service Parts/Consumables

| Item # | Part # | Description | Quantity |
|--------|---------------------|--|----------------|
| 1 | 201262 | Nozzle, insulated 2-3/4 in stickout | 1 |
| 2 | 201261 | Nozzle, insulated 2 in stickout | 1 |
| 3 | 201256 | Tip, contact 3/32 in | 1 (25 per pkg) |
| | 201257 | Tip, contact 7/64 in | 1 (25 per pkg) |
| | 201258 | Tip, contact .120 in | 1 (25 per pkg) |
| | 201259 | Tip, contact 1/8 in | 1 (25 per pkg) |
| 4 | 201250 ¹ | Gooseneck, 82° bend (includes) | 1 |
| 4 | 201251 ¹ | Gooseneck, 82° bend, aluminum jacketed (includes) | 1 |
| 5 | 201247 | Gooseneck, 25° bend (includes) | 1 |
| 5 | 201248 ¹ | Gooseneck, 45° bend, (includes) | 1 |
| 5 | 201249 ¹ | Gooseneck, 45° bend, aluminum jacketed (includes) | 1 |
| 6 | 201252 ¹ | Gooseneck, straight 5° bend, (includes) | 1 |
| 7 | 201253 (N/A) | Liner, locking screw 3/8 in – 16 | 1 |
| 8 | 201254 | Insert, steel | 1 |
| 9 | 201255 | Insert, ceramic | 1 |
| 10 | 201260 | Liner, gooseneck replacement (short, for 6 in goose) | 1 |
| 11 | 201245 | Shield Kit, heat (consists of) | 1 |
| 12 | — | Shield, heat (not available separately) | 1 |
| 13 | 198681 | Nut, 008-32 .34 hex .23h stl pld elastic stop nut | 2 |
| 14 | 135646 | Screw, 008-32 x 1.50 rnd hd-phl stl pld | 2 |
| 15 | 224083 | Housing Kit with Hardware — less switch | 1 |
| 16 | 224083 | Housing assembly, trigger | 1 |
| 17 | 194714 (N/A) | Handle Kit, assembly (consists of) | 1 |
| 18 | 198821 | Shield, spatter | 1 |
| 19 | 081664 | Ring, rtng ext .625 shaft grv x .042 thk e style | 1 |
| 20 | 198820 | Clamp | 1 |
| 21 | 133774 | Screw, cap stl sch .250-20 x .625 pld | 1 |
| 22 | 198819 | Handle | 1 |
| | 000369 | Switch, limit 10 amp, 125/250 VAC | 1 |
| 23 | 198743 (N/A) | Clamp, switch housing | 1 |
| 24 | 602202 | Washer, tooth .168 id x .340 od x .023 t stl pld | 4 |
| 25 | 070001 | Screw, 008-32 x .25 hexwhd-pln stl pld | 4 |
| 26 | 194713 | Switch Kit, assembly 15 ft (consists of) | 1 |
| 26 | 195735 | Switch Kit, assembly 10 ft (consists of) | 1 |
| 27 | 079878 | Housing Plug and Pins (service kit) | 1 |
| 28 | 198894 (N/A) | Screw, set #8-32 x .312 — liner locking | 1 |
| 29 | 201246 | Kit, replacement standard liner 15 ft (includes) | 1 |
| 30 | 201276 (N/A) | Label, FC-1150 gun, 10 ft | 1 |
| 30 | 201277 (N/A) | Label, FC-1150 gun, 15 ft | 1 |
| 31 | 195733 | Kit, insulator sleeve with spring and screws | 1 |

¹Optional

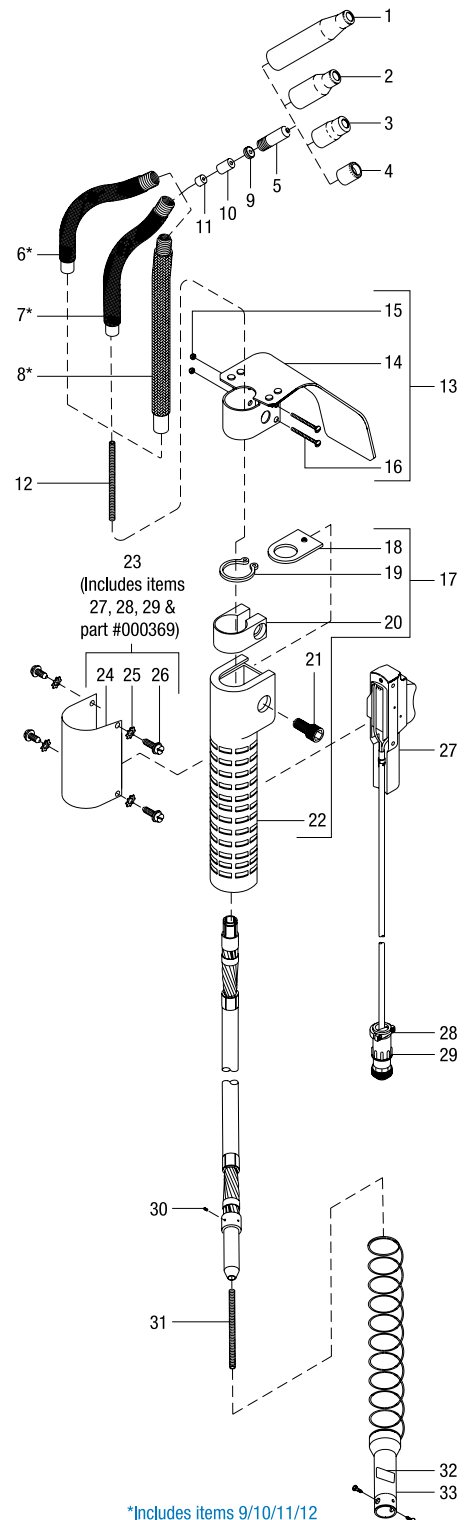


*Includes items 7/8/9/10

Ironmate FC-1150 Gun

Ironmate™ FC-1260 and FC-1260LM Service Parts/Consumables

| Item # | Part # | Description | Quantity |
|--------|---------------------|--|----------------|
| 1 | 198803 | Nozzle, insulated 2-3/4 in stickout | 1 |
| 2 | 198802 | Nozzle, insulated 2 in stickout | 1 |
| 3 | 198801 | Nozzle, insulated | 1 |
| 4 | 198800 ¹ | Protector, thread | 1 (5 per pkg) |
| 5 | 209248 ² | Tip, contact .035 (0.9 mm) | 1 (25 per pkg) |
| | 198784 ² | Tip, contact .045 (1.2 mm) | 1 (25 per pkg) |
| | 198785 | Tip, contact 1/16 (1.6 mm) | 1 (25 per pkg) |
| | 198786 | Tip, contact .068 - .072 (1.7 - 1.8 mm) | 1 (25 per pkg) |
| | 198788 | Tip, contact 5/64 (2.0 mm) | 1 (25 per pkg) |
| | 198790 | Tip, contact 3/32 (2.4 mm) | 1 (25 per pkg) |
| 6 | 198794 ¹ | Gooseneck, 6 in, 50° bend (includes) | 1 |
| | 199332 | Gooseneck, 6 in, 50° bend, aluminum jacketed (includes) | 1 |
| | 198795 | Gooseneck, 12 in, 50° bend (includes) | 1 |
| | 199333 | Gooseneck, 12 in, 50° bend, aluminum jacketed (includes) | 1 |
| | 198798 | Gooseneck, 6 in, 90° bend (includes) | 1 |
| | 199334 | Gooseneck, 6 in, 90° bend, aluminum jacketed (includes) | 1 |
| 7 | 198796 | Gooseneck, 6 in, 30° bend (includes) | 1 |
| | 199335 | Gooseneck, 6 in, 30° bend, aluminum jacketed (includes) | 1 |
| | 198797 | Gooseneck, 12 in, 30° bend (includes) | 1 |
| | 199336 | Gooseneck, 12 in, 30° bend, aluminum jacketed (includes) | 1 |
| 8 | 198799 | Gooseneck, 8 in straight with 5° bend (includes) | 1 |
| 9 | 198752 ³ | Liner, locking screw 5/16 in - 18 | 1 |
| 10 | 198758 ³ | Insert, steel | 1 |
| 11 | 198806 ³ | Insert, ceramic | 1 |
| 12 | 198791 | Liner, gooseneck replacement (short, for 6 in goose) | 1 |
| | 198792 | Liner, gooseneck replacement (med, for 8 in goose) | 1 |
| | 198793 | Liner, gooseneck replacement (long, for 12 in goose) | 1 |
| 13 | 194712 | Shield Kit, heat (consists of) | 1 |
| 14 | — | Shield, heat (not available separately) | 1 |
| 15 | 198681 | Nut, 008-32 .34 hex .23h stl pld elastic stop nut | 2 |
| 16 | 135646 | Screw, 008-32 x 1.50 rd hd-phl stl pld | 2 |
| 17 | 194714 (N/A) | Handle Kit, assembly (consists of) | 1 |
| 18 | 198821 | Shield, spatter | 1 |
| 19 | 081664 | Ring, rtng ext .625 shaft grv x .042 thk e style | 1 |
| 20 | 198820 | Clamp | 1 |
| 21 | 133774 | Screw, cap stl sch .250-20 x .625 pld | 1 |
| 22 | 198819 | Handle | 1 |
| 23 | 194713 | Switch Kit, assembly 15 ft (consists of) | 1 |
| | 195735 | Switch Kit, assembly 10 ft (consists of) | 1 |
| 24 | 198743 (N/A) | Clamp, switch housing | 1 |
| 25 | 602202 | Washer, tooth .168 id x .340 od x .023 t stl pld | 4 |
| 26 | 070001 | Screw, 008-32 x .25 hexwhd-pln stl pld | 4 |
| 27 | 224083 | Aluminum Housing Kit with Hardware — less switch | 1 |
| 28 | 079531 | Conn, circ cpc clamp str rlf size 11 .453 od | 1 |
| 29 | 079878 | Housing Plug and Pins (service kit) | 1 |
| | 000369 | Switch, limit 10 amp, 125/250 VAC | 1 |
| 30 | 198894 (N/A) | Screw, set #8-32 x .312 — liner locking | 1 |
| 31 | 195731 | Kit, replacement standard liner 15 ft (includes) | 1 |
| 31 | 199178 | Kit, .045 conversion monocoil liner 15 ft (includes) | 1 |
| | 166575 | Wrench, hex .078 across flat | 1 |
| 32 | 198759 (N/A) | Label, FC-1260 gun, 10 ft | 1 |
| | 198767 (N/A) | Label, FC-1260 gun, 15 ft | 1 |
| 33 | 195733 | Kit, insulator sleeve with spring | 1 |
| | 202295 | Insulator, phenolic (FC-1260LM only) | 1 |
| | 202294 | Adapter, Miller® feeder (FC-1260LM only) | 1 |
| | 202692 | Adapter, Miller® to Lincoln trigger leads (FC-1260LM only) | 1 |



*Includes items 9/10/11/12

Ironmate FC-1260 Gun

¹Standard

²Use .045 in Conversion Kit

³Items recessed in Gooseneck

Note: Each Gooseneck includes locking screw liner, inserts, and appropriate gooseneck liner.



Hobart MIG Gun History

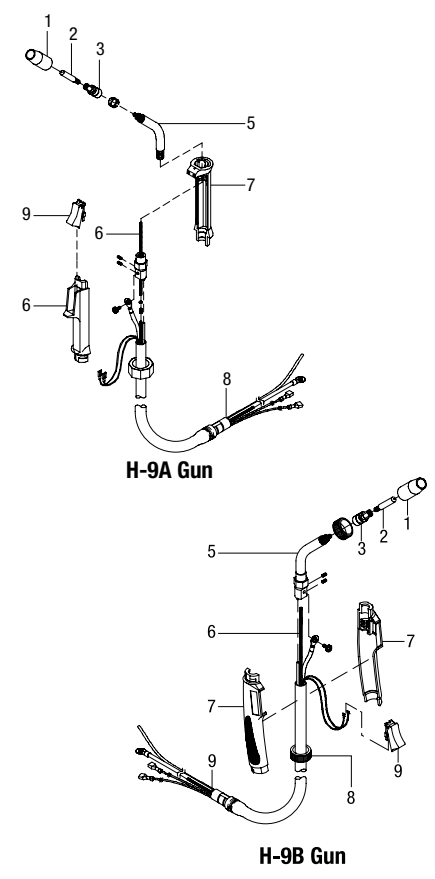
| Machine | Spec # / Stock # | Original Gun | Recommended Replacement Gun |
|------------------|-----------------------|-------------------------|--|
| Handler® | 6969-1 | GAL-90 | Bernard TGX Series XS1815 and 2200143 Power Pin' |
| | All Other 6969 Series | GAL-100 | Bernard TGX Series XS1815 and 2200143 Power Pin' |
| Handler® 120 | 7144-1 and 71441A-1 | GAL-100 | Bernard TGX Series XS1815 and 2200143 Power Pin' |
| | All Other | Piecemaker® 14-A | Bernard TGX Series XS1815 and 2200143 Power Pin' |
| Handler® 125 | All | H-9A, pg 31; H-9, pg 31 | H-9 195157R, pg 31 |
| Handler® 125EZ | All | H-9A, pg 31 | H-9 195157R, pg 31 |
| Handler® 130 | All | H-9B, pg 31 | H-9B 195157R, pg 31 |
| Handler® 130XL | All | GA-16CA | H100S2-10 245924, pg 33 Plus Gun connector 193189 |
| Handler® 135/140 | All | H-10, pg 32 | H100S2-10 245924, pg 33 |
| Handler® 150 | All | Piecemaker® 14-A | Bernard TGX Series XS1815 and 2200143 Power Pin' |
| Handler® 175/180 | All | H-10, pg 32 | H100S2-10 245924, pg 33 |
| Handler® 187 | All | H-10, pg 32 | H100S2-10 245924, pg 33 |
| Handler® 190 | All | H100S4-10, pg 32 | H100S4-10 245926, pg 33 |
| Handler® 210 | All | H-14, pg 32 | H100S4-10 245926, pg 33 |
| Handler® 210MVP | All | H100S4-10, pg 32 | H100S4-10 245926, pg 33 |
| IronMan™ 210 | All | M-10, pg 12 | H100S4-10 245926, pg 33 |
| IronMan™ 230 | All | H200L4-15, pg 32 | H200L4-15 239173, pg 33 |
| IronMan™ 250/270 | All | M-25, pg 13 | M-25, pg 13 |
| Trek 180 | All | H100L4-10, pg 32 | H100L4-10 243864, pg 33 |

'Part is only available through Bernard 1-855-MIGWELD (644-9353).

H-9A/9B Service Parts/Consumables

| Item # | Part H-9A* | Part H-9B | Description | Quantity |
|--------|---------------------|---------------------|--|----------------|
| | 195157R | — | H-9A Gun 8 ft (2.4 m), 100 A, .030-.035 (0.8-0.9 mm) | |
| | — | 195157R | H-9B Gun 8 ft (2.4 m), 100 A, .030-.035 (0.8-0.9 mm) | |
| 1 | 169715 | 169715 | Nozzle, slip type .500 (12.7 mm) orf flush | 1 (2 per pkg) |
| | 226190 | 226190 | Nozzle, slip type flux cored | 1 (1 per pkg) |
| 2 | 087299 ¹ | 087299 ¹ | Tip, contact scr .023 (0.6 mm) wire x 1.125 | 1 (10 per pkg) |
| | 000067 | 000067 | Tip, contact scr .030 (0.8 mm) wire x 1.125 | 1 (10 per pkg) |
| | 000068 | 000068 ¹ | Tip, contact scr .035 (0.9 mm) wire x 1.125 | 1 (10 per pkg) |
| 3 | 169716 | 169716 | Adapter, contact tip | 1 (2 per pkg) |
| 4 | 170470 | — | Ring, retaining | 1 |
| 5 | 210969 (N/A) | 226079 | Tube, head | 1 |
| 6 | 210970 | 210970 | Kit, liner, monocoil .023-.035 (0.6-0.9 mm) wire x 8 ft | 1 |
| 7 | 211450 (N/A) | 226080 | Handle Assembly | 1 |
| 8 | — | 226010 | Nut, liner retainer | 2 |
| 9 | — | 225410 | Switch, trigger | 1 |

*¹Optional *H9B replaces H9A*



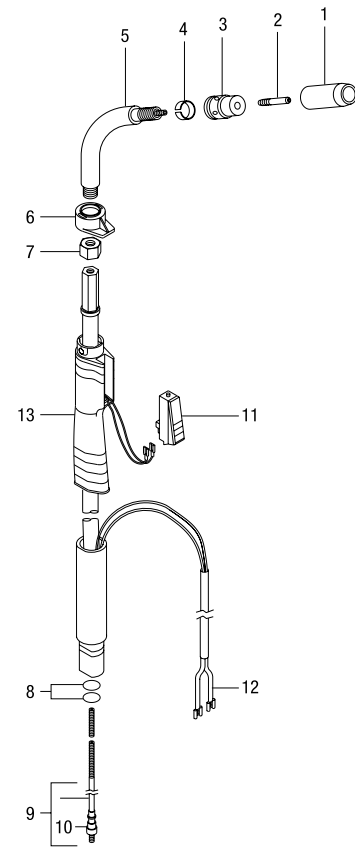
MIG GUNS

H-10

Service Parts/Consumables

| Item # | Part # | Description | Quantity |
|--------|---------------------------|--|----------------|
| | 195957 | H-10 Gun 10 ft (3 m), 100 A, .030-.035 (0.8-0.9 mm) | |
| 1 | 169715 | Nozzle, slip type .500 (12.7 mm) orf flush | 1 (2 per pkg) |
| | 226190 | Nozzle, slip type flux cored | 1 (1 per pkg) |
| 2 | 087299¹ | Tip, contact scr .023 (0.6 mm) wire x 1.125 | 1 (10 per pkg) |
| | 000067 | Tip, contact scr .030 (0.8 mm) wire x 1.125 | 1 (10 per pkg) |
| | 000068 | Tip, contact scr .035 (0.9 mm) wire x 1.125 | 1 (10 per pkg) |
| | 000069¹ | Tip, contact scr .045 (1.2 mm) wire x 1.125 | 1 (10 per pkg) |
| 3 | 169716 | Adapter, contact tip | 1 (2 per pkg) |
| 4 | 170470 | Ring, retaining | 1 |
| 5 | 169718 | Tube, head | 1 |
| 6 | 169738 | Nut, locking handle | 1 |
| 7 | 194524 | Nut, jam | 1 |
| 8 | 197123 | O-Ring, .312 ID x .062 70 BUNA-N | 2 |
| 9 | 194010¹ | Kit, liner, monocoil .023 - .025 (0.6 mm) wire x 15 ft (includes) | 1 |
| | 194011 | Kit, liner, monocoil .030 - .035 (0.8 - 0.9 mm) wire x 15 ft (includes) | 1 |
| | 194012¹ | Kit, liner, monocoil .035 - .045 (0.9 - 1.2 mm) wire x 15 ft (includes) | 1 |
| 10 | 079975 | O-Ring, .187 ID x .103CS rbr | 1 |
| 11 | 227798 | Switch, trigger | 1 |
| 12 | 604464 | Terminals, friction | 2 |
| 13 | 169737 | Handle | 1 |
| | 209494 | Power Pin | 1 |

¹Optional

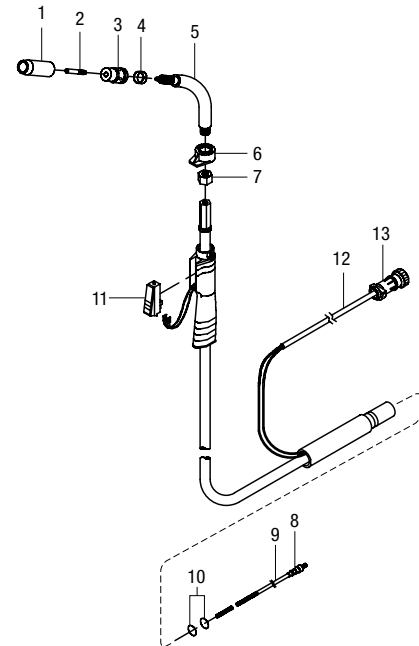


H-14

Service Parts/Consumables

| Item # | Part # | Description | Quantity |
|--------|---------------------------|--|----------------|
| | 231204 | H-14 Gun 10 ft (3 m), 100 A, .030-.035 (0.8-0.9 mm) | |
| 1 | 169715 | Nozzle, slip type .500 (12.7 mm) orf flush | 1 (2 per pkg) |
| | 226190 | Nozzle, slip type flux cored | 1 (1 per pkg) |
| 2 | 087299¹ | Tip, contact scr .023 (0.6 mm) wire x 1.125 | 1 (10 per pkg) |
| | 000067 | Tip, contact scr .030 (0.8 mm) wire x 1.125 | 1 (10 per pkg) |
| | 000068¹ | Tip, contact scr .035 (0.9 mm) wire x 1.125 | 1 (10 per pkg) |
| 3 | 169716 | Adapter, contact tip | 1 (2 per pkg) |
| 4 | 170470 | Ring, retaining | 1 |
| 5 | 169718 | Tube, head | 1 |
| 6 | 169738 | Nut, locking handle | 1 |
| 7 | 169719 | Nut, jam | 1 |
| 8 | 079975 | O-Ring, .187 ID x .103CS rbr | 1 |
| 9 | 194010¹ | Kit, liner, monocoil .023 - .025 (0.6 mm) wire x 15 ft | 1 |
| | 194011 | Kit, liner, monocoil .030 - .035 (0.8 - 0.9 mm) wire x 15 ft (includes) | 1 |
| | 194012¹ | Kit, liner, monocoil .035 - .045 (0.8 - 0.9 mm) wire x 15 ft | 1 |
| | 194014¹ | Kit, liner, monocoil .023 - .035 (0.6 - 0.9 mm) wire x 15 ft (includes) | 1 |
| 10 | 079975 | O-Ring, .187 ID x .103CS rbr | 1 |
| 11 | 227798 | Switch, trigger | 1 |
| 12 | 227800 | Cord, trigger assembly | 1 |
| 13 | 079878 | Housing Plug & Pins | 1 |
| | 209494 | Power Pin | 1 |

¹Optional



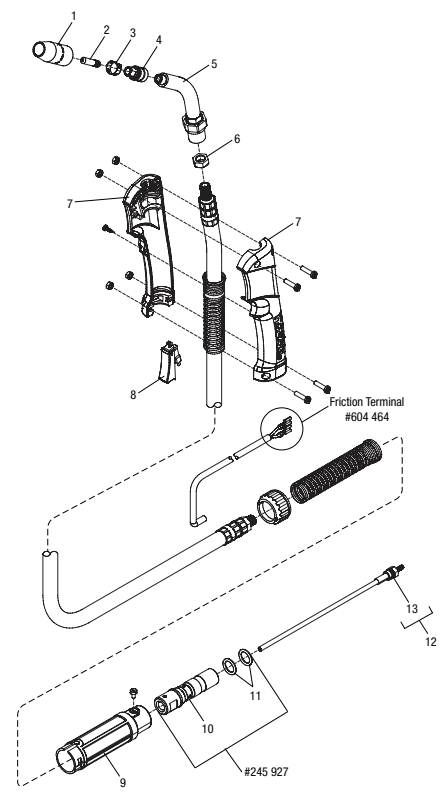


H100S2-10

Service Parts/Consumables

| Item # | Part # | Description | Quantity |
|--------|---------------------|--|----------|
| | 245924 | H100S2-10 Gun .30-.035 10 ft | |
| 1 | 169715 | Nozzle, slip type .500 orf flush | 1 |
| | 226190 | Nozzle, flux cored slip type | 1 |
| 2 | 087299 ¹ | Tip, contact scr .023 (0.6 mm) wire x 1.125 | 1 |
| | 000067 ¹ | Tip, contact scr .030 (0.8 mm) wire x 1.125 | 1 |
| | 000068 ¹ | Tip, contact scr .035 (0.9 mm) wire x 1.125 | 1 |
| | 000069 ¹ | Tip, contact scr .045 (1.2 mm) wire x 1.125 | 1 |
| 3 | 170470 | Ring, retaining | 1 |
| 4 | 169716 | Adapter, contact tip | 1 |
| 5 | 246373 | Tube, head | 1 |
| 6 | 243865 | Nut, jam | 1 |
| 7 | 242832 | Handle | 1 |
| 8 | 225410 | Switch, trigger | 1 |
| 9 | 246380 | Housing, power pin | 1 |
| 10 | 245927 | Connector, feeder | 1 |
| 11 | 197123 | O-Ring, .312 ID x .062 70 duro buna-n | 2 |
| 12 | 194010 ¹ | Liner, monocoil .023 – .025 wire x 15 ft (consisting of) | 1 |
| | 194011 ¹ | Liner, monocoil .030 – .035 wire x 15 ft (consisting of) | 1 |
| | 194012 ¹ | Liner, monocoil .035 – .045 wire x 15 ft (consisting of) | 1 |
| 13 | 079975 | O-Ring, .187 ID x .103CS rbr | 1 |

¹Optional



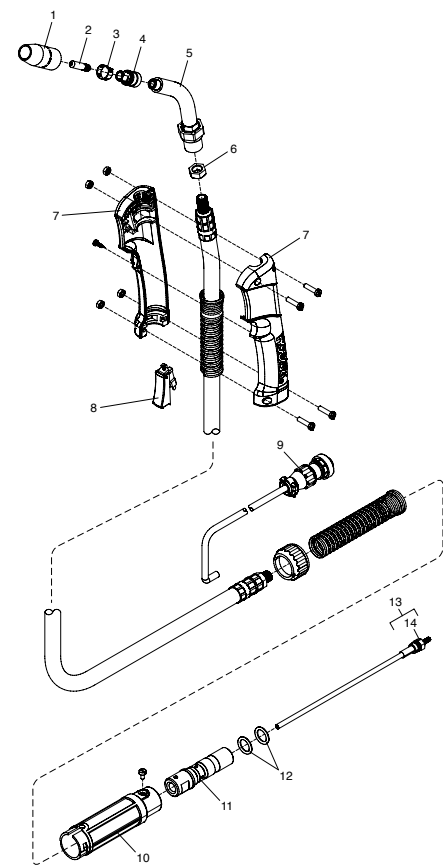
H100S4-10

Service Parts/Consumables

| Item # | Part # | Description | Quantity |
|--------|---------------------|---|----------------|
| | 245926 | H100S4-10 | |
| 1 | 169715 | Nozzle, slip type .500 (12.7 mm) orf flush | 1 (2 per pkg) |
| | 226190 | Nozzle, slip type flux cored | 1 (1 per pkg) |
| 2 | 087299 ¹ | Tip, contact scr .023 (0.6 mm) wire x 1.125 | 1 (10 per pkg) |
| | 000067 | Tip, contact scr .030 (0.8 mm) wire x 1.125 | 1 (10 per pkg) |
| | 000068 ¹ | Tip, contact scr .035 (0.9 mm) wire x 1.125 | 1 (10 per pkg) |
| | 000069 ¹ | Tip, contact scr .045 (1.2 mm) wire x 1.125 | 1 (10 per pkg) |
| 3 | 170470 | Ring, retaining | 1 |
| 4 | 169716 | Adapter, contact tip | 1 (2 per pkg) |
| 5 | 246373 | Tube, head | 1 |
| 6 | 243865 | Nut, jam | 1 |
| 7 | 242832 | Handle | 1 |
| 8 | 225410 | Switch, trigger | 1 |
| 9 | 079878 | Housing plug and pins | 1 |
| 10 | 246380 | Housing, power pin | 1 |
| 11 | 245927 | Connector, feeder | 1 |
| 12 | 197123 | O-Ring, .312 ID x .062 duro buna-n | 2 |
| 13 | 194010 ¹ | Kit, liner, monocoil .023 – .025 (0.6 mm) wire x 15 ft | 1 |
| | 194011 | Kit, liner, monocoil .030 – .035 (0.8 – 0.9 mm) wire x 15 ft | 1 |
| | 194012 ¹ | Kit, liner, monocoil .035 – .045 (0.6 – 0.9 mm) wire x 15 ft | 1 |
| 14 | 079975 | O-Ring, .187 ID x .103CS rbr | 1 |

¹Optional

*H9B replaces H9A

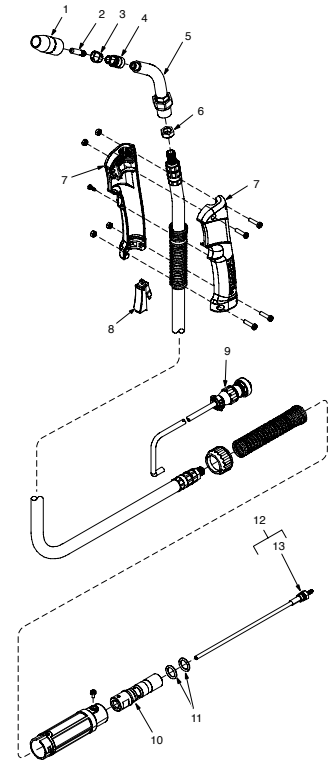


H100L4-10

Service Parts/Consumables

| Item # | Part # | Description | Quantity |
|--------|---------------------|--|----------|
| | 243864 | H100L4-10 Gun 10 ft (3 m), 100 A, .030-.035 (0.8-0.9 mm) | 1 |
| 1 | 169715 | Nozzle, slip type, .500 orf flush | 1 |
| | 226190 ¹ | Nozzle, flux cored slip type | 1 |
| | 087299 ¹ | Tip, contact scr .023 wire x 1.125 | 1 |
| | 000067 ¹ | Tip, contact scr .030 wire x 1.125 | 1 |
| 2 | 000068 ¹ | Tip, contact scr .035 wire x 1.125 | 1 |
| | 000069 ¹ | Tip, contact scr .045 wire x 1.125 | 1 |
| | 170470 | Ring, retaining | 1 |
| 3 | 170470 | Ring, retaining | 1 |
| 4 | 169716 | Adapter, contact tip | 1 |
| 5 | 242831 | Tube, head | 1 |
| 6 | 243865 | Nut, jam | 1 |
| 7 | 242832 | Handle | 1 |
| 8 | 225410 | Switch, trigger | 1 |
| 9 | 079878 | Housing plug & pins | 1 |
| 10 | 242833 | Connector, feeder | 1 |
| 11 | 079974 | O-Ring, .500 ID x .103CS rbr | 2 |
| 12 | 194010 ¹ | Liner, monocoil .023/.025 wire x 15 ft (consisting of) | 1 |
| | 194011 ¹ | Liner, monocoil .030/.035 wire x 15 ft (consisting of) | 1 |
| | 194012 ¹ | Liner, monocoil .035/.045 wire x 15 ft (consisting of) | 1 |
| 13 | 079975 | O-Ring, .187 ID x .103CS rbr | 1 |

¹Optional

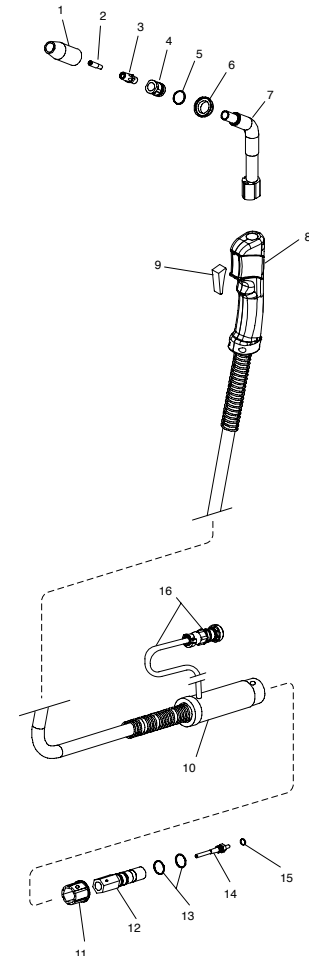


H200L4-15

Service Parts/Consumables

| Item # | Part # | Description | Quantity |
|--------|---------------------|--|---------------|
| | 239173 | H200L4-10 Gun 15 ft (4.6 m), 200 A, .030-.035 (0.8-0.9 mm) | 1 |
| 1 | 200258 | Nozzle, slip type, .500 orf flush | 1 |
| | 169724 ¹ | Nozzle, slip type, .500 orf .125 recess | 1 |
| | 169725 ¹ | Nozzle, slip type, .625 orf .125 recess | 1 |
| | 169726 ¹ | Nozzle, slip type, .625 orf flush | 1 |
| | 169727 ¹ | Nozzle, slip type, .625 orf .125 stitch out | 1 |
| 2 | 087299 ¹ | Tip, contact scr .023 wire x 1.125 | 1 |
| | 000067 ¹ | Tip, contact scr .030 wire x 1.125 | 1 |
| | 000068 ¹ | Tip, contact scr .035 wire x 1.125 | 1 |
| | 000069 ¹ | Tip, contact scr .045 wire x 1.125 | 1 |
| 3 | 169728 | Adapter, contact tip | 1 |
| 4 | 169729 | Adapter, nozzle w/retaining ring | 1 |
| 5 | 170468 | O-Ring | 1 |
| 6 | 169730 | Washer, shock | 1 |
| 7 | 242585 | Tube head assembly | 1 |
| 8 | 242635 | Handle, front H-20 welding gun | 1 |
| 9 | 225410 | Switch, trigger | 1 |
| 10 | 242597 | Handle, rear H-20 welding gun | 1 |
| 11 | 242598 | Collar, adapter feeder connector | 1 |
| 12 | 242604 | Connector, feeder H-20 welding gun | 1 |
| 13 | 079974 | O-Ring, .500 ID x .103 cs rbr | 1 (2 per pkg) |
| 14 | 194010 | Liner, monocoil .023/.025 wire x 15 ft (consisting of) | 1 |
| | 194011 | Liner, monocoil .030/.035 wire x 15 ft (consisting of) | 1 |
| | 194012 | Liner, monocoil .035/.045 wire x 15 ft (consisting of) | 1 |
| 15 | 079975 | O-Ring, .187 ID x .103CS rbr | 1 |
| 16 | 227800 | Cord, trigger assembly | 1 |

¹Optional





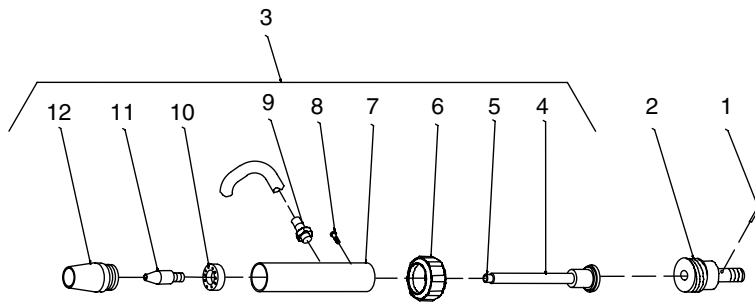
Millermatic Service Parts

| Model | Serial # Effective | On/Off Switch # | Contactora # | Gas Valve # | Wire Speed Pot/Rheostat # | Wire Speed Knob # | Fan Motor # | Fan Blade # | Drive Motor # | CR-1 Relay # | Range Switch # |
|----------------------------------|--------------------|----------------------------------|--------------|-------------|---------------------------|-------------------|-------------|-------------|---------------|--------------|----------------|
| Challenger™ | KG171523 | 116830 | 252676 | 218422 | 000101 | 097922 | 495429 | 005656 | 173446 | — | — |
| Challenger™ 172 | KH511668 | 116830 | 252676 | 218422 | See Manual | 097922 | 495429 | 005656 | 186212 | 006393 | 250658 |
| MM 90/130 | KB102926 | 111997 (115 V) 116830 (230 V) | 252676 | 218421 | 000101 | 097922 | 111931 | 005656 | 173446 | 006393 | — |
| MM 120/150 | KB100704 | 116830 | 252676 | 218422 | 072623 | 097922 | 495429 | 005656 | 090087 | 072817 | — |
| MM 130 XP | KH418495 | 111997 | 252676 | 218421 | 186207 | 097922 | 495428 | 005656 | 186212 | See Manual | 250658 |
| MM 135 | LB204281 | 196575 | — | 218421 | See Manual | 171007 | 196063 | 409953-001 | 202708 | — | 202663 |
| MM 140/ 140 with Auto-Set™ | LG320643 | 196575 | — | 218421 | 207415 | 171007 | 196063 | 409953-001 | 202708 | — | 202663 |
| MM 175 | LB204053 | 196574 | — | 218422 | See Manual | 207078 | 196064 | 409953-001 | 202708 | — | 202663 |
| MM 180 | LG320643 | 196574 | — | 218422 | 207415 | 207078 | 196064 | 409953-001 | 202708 | — | 202663 |
| MM 185 | KG171523 | 124511 | See Manual | 222837 | 035897 | 171007 | 123468 | 005656 | See Manual | 072817 | 153197 |
| MM 200 | HK240615 | See Manual | See Manual | See Manual | 030943 | 171007 | 081373 | 081372 | — | See Manual | 049280 |
| MM 210 | LC218652 | 124511 | 196600 | See Manual | See Manual | See Manual | 188706 | 148809 | 202888 | — | 192373 |
| MM 211 | LJ330001N | 196575 | — | 232516 | 207415 | 207078 | See Manual | See Manual | 202708 | — | 202663 |
| MM 212 | LH131786B | 124511 | 196600 | 246753 | 228104 | 207077 | 188706 | 148809 | 233009 | — | — |
| MM 212 w/Auto-Set™ | LJ180754B | 124511 | — | 246753 | 238100 | 238122 | 188706 | 148809 | 233009 | — | — |
| MM 250 | KB054828 | 250006 | — | 222837 | 035897 | 171007 | 148808 | 148809 | See Manual | 006393 | 035 897 |
| MM 250MP | KB054828 | 250006 | — | 222837 | — | — | 148808 | 148809 | See Manual | 006393 | — |
| MM 250X w/o meters | KJ081597 | 250006 | — | 222837 | 035897 | 171007 | 188706 | 148809 | 227117 | 006393 | 035 897 |
| MM 250X w/ meters | KK227730 | 250006 | — | 222837 | See Manual | 171007 | 188706 | 148809 | 227117 | 006393 | See Manual |
| MM 251 | LB170597 | 250006 | — | See Manual | See Manual | See Manual | 188706 | 148809 | 227117 | 052964 | See Manual |
| MM 252 | LG290851B | 250006 | — | 246753 | — | 218764 | 188706 | 148809 | 225341 | — | — |
| MM 300 w/o meters | KH457123 | 244920 | — | 222837 | 035897 | 171007 | 148808 | 148809 | 227117 | — | 035897 |
| MM 300 w/meters | KK310628 | 244920 | — | 222837 | 035897 | 171007 | 148808 | 148809 | 227117 | — | 035897 |
| MM 350/350P | LC447907 | See Manual | 248620 | See Manual | — | — | 213043 | — | 223541 | 106462 | — |
| MM DVI™ | LE204883 | 219552 | 196600 | 216396 | 198087 | 207077 | 188706 | 148809 | 202888 | 072817 | 153197 |
| MM DVI-2™ | LH021271B | 219552 | 196600 | 246753 | 198087 | 207077 | 188706 | 148809 | 230496 | — | 192373 |
| MM Passport | LE444123 | — | — | 220011 | — | 174992 | 234728 | — | 202708 | — | — |
| MM Passport Plus | LH380053N | — | — | 220011 | — | 174992 | 234728 | — | 202708 | — | — |
| MM Pulser | LA259996 | 250006 | 196600 | 218494 | 035897 | 171007 | 188706 | 148809 | 227117 | — | 192373 |
| MM Reach | LK220947N | — | — | 244300 | — | 238873 | — | — | 223541 | — | — |
| Vintage | KF806591 | 250006 | See Manual | 218421 | 035897 | 171007 | See Manual | See Manual | See Manual | 080388 | 153197 |

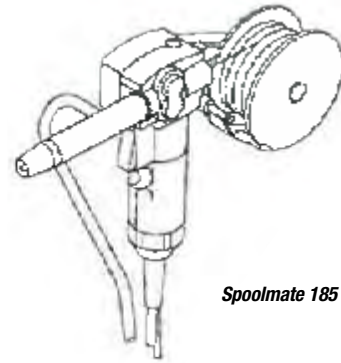
SPOOL GUNS

Spoolmate™ 185 & 3035 Series

| Item # | Part # | Description | Quantity |
|--------|--------|------------------------------|----------|
| 1 | 197570 | Anti-Rotation Pin | 1 |
| 2 | 196848 | Contact Adapter | 1 |
| 3 | 196827 | Gun Tube Assembly (Includes) | 1 |
| 4 | 196849 | Head Tube Assembly | 1 |
| 5 | 206363 | Liner Kit | 1 |
| 6 | 196847 | Locking Nut | 1 |
| 7 | 194633 | Barrel | 1 |
| 8 | 209080 | Screw, M4 x 0.7 x 6 mm | 1 |
| 9 | 186408 | Gas Nipple | 1 |
| 10 | 186409 | Gas Diffuser | 1 |
| 11 | 186419 | Contact Tip .030 | 1 |
| 11 | 186406 | Contact Tip .035 | 1 |
| 11 | 199730 | Contact Tip .023 | 1 |
| 12 | 186405 | Nozzle | 1 |



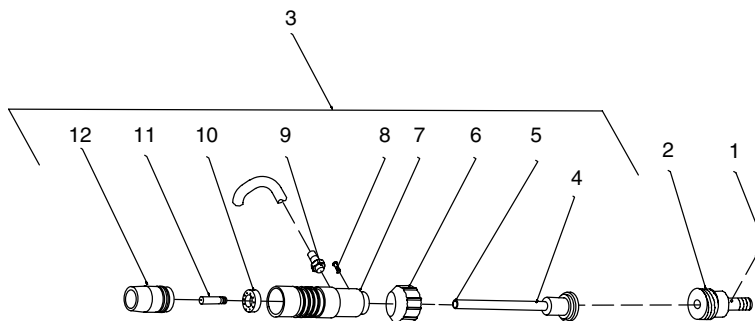
Spoolmate 3035 Spool Gun



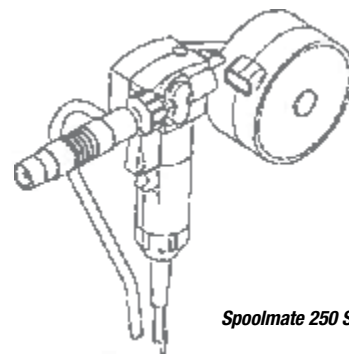
Spoolmate 185 Spool Gun

Spoolmate™ 250 & 3545 Series

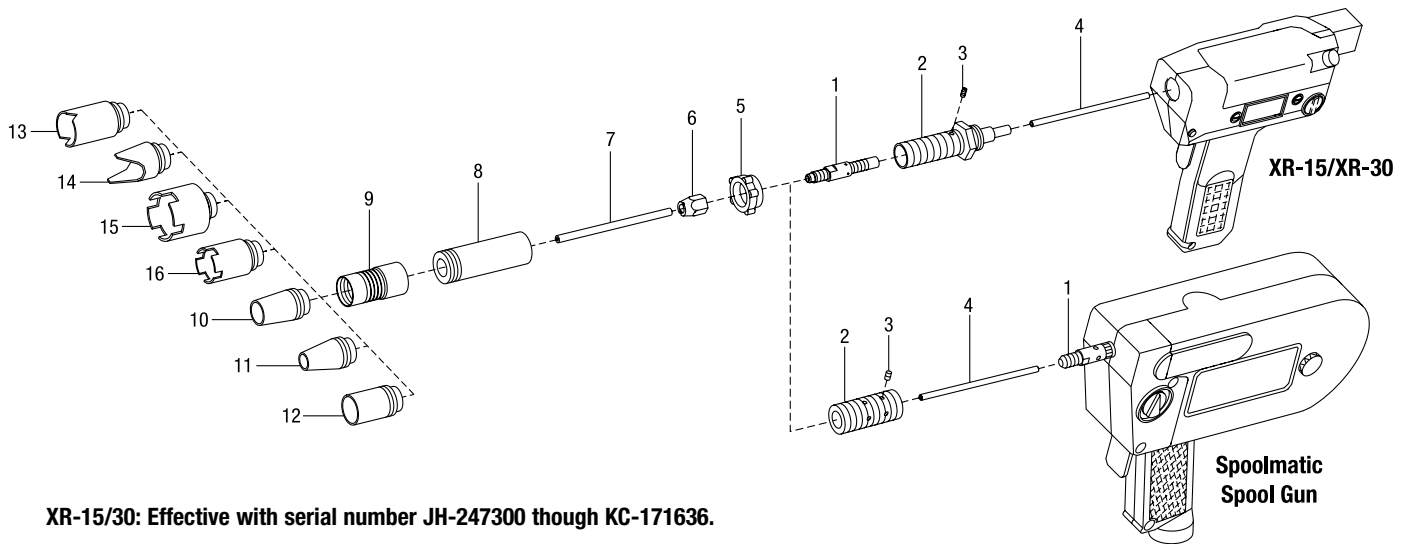
| Item # | Part # | Description | Quantity |
|--------|--------|-----------------------------------|----------|
| 1 | 197570 | Anti-Rotation Pin | 1 |
| 2 | 196848 | Contact Adapter | 1 |
| 3 | 199385 | Gun Tube Assembly (consisting of) | 1 |
| 4 | 199394 | Head Tube Assy | 1 |
| 5 | 206363 | Liner Kit | 1 |
| 6 | 196847 | Locking Nut | 1 |
| 7 | 199393 | Barrel | 1 |
| 8 | 209080 | Screw, M5 x 0.7 x 6 mm | 1 |
| 9 | 199391 | Gas Nipple | 1 |
| 10 | 199390 | Gas Diffuser | 1 |
| 11 | 199387 | Contact Tip .030 | 1 |
| 11 | 199388 | Contact Tip .035 | 1 |
| 11 | 199389 | Contact Tip .047 | 1 |
| 12 | 050622 | Nozzle | 1 |



Spoolmate 3545 Spool Gun



Spoolmate 250 Spool Gun



XR-15/30: Effective with serial number JH-247300 through KC-171636.

XR-15™/XR-30™ and Spoolmatic® 1,2,3

Service Parts/Consumables

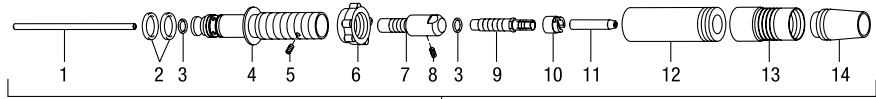
| Item # | Part # XR-15/30 | Part # Spoolmatic 1,2,3 | Description | Quantity |
|--------|---------------------|----------------------------|--|---------------|
| 1 | 112704 | 058678 | Adapter, contact tube | 1 |
| 2 | 112885 (N/A) | 009541 (N/A) | Adapter, barrel | 1 |
| 3 | 602172 | — | Screw, set stl sch 10-32 x .187 cup point | 1 |
| | — | 604771 | Screw, set stl sch 10-32 x .125 cup point | 4 |
| 4 | 112708 | — | Liner, teflon .030 – .035 (0.8 – 0.9 mm) wire x 4.125 | 1 |
| | 112707 | — | Liner, teflon .047 – 1/16 (1.2 – 1.6 mm) wire x 4.125 | 1 |
| | — | 058681 | Liner, teflon .030 – .035 (0.8 – 0.9 mm) wire x 5.187 | 1 |
| | — | 058682 | Liner, teflon .047 – 1/16 (1.2 – 1.6 mm) wire x 5.187 | 1 |
| 5 | 058685 | 058685 | Nut, jam nozzle extension | 1 |
| 6 | 058676 | 058676 | Nut, brs cprsn .438-20 | 1 |
| 7 | 050638 | 050638 | Tube, cont sl .030 (0.8 mm) wire x 4.000 | 1 (5 per pkg) |
| | 094259 | 094259 | Tube, cont sl .035 (0.9 mm) wire x 4.000 | 1 (5 per pkg) |
| | 094260 | 094260 | Tube, cont sl .047 (1.2 mm) wire x 4.000 | 1 (5 per pkg) |
| | 050637 | 050637 | Tube, cont sl 1/16 (1.6 mm) wire x 4.000 | 1 (5 per pkg) |
| 8 | 156821 | 156821 | Extension, barrel 2.875 lg | 1 |
| 9 | 144862 | 144862 | Extension, nozzle | 1 |
| 10 | 050622 | 050622 | Nozzle, 5/8 orf (15.9 mm) x 1-5/8 lg | 1 (2 per pkg) |
| 11 | 050115 | 050115 | Nozzle, 1/2 orf (12.7 mm) x 1-5/8 lg | 1 (2 per pkg) |
| 12 | 050116 | 050116 | Nozzle, 13/16 (20.6 mm) orf x 1-5/8 lg | 1 (2 per pkg) |
| 13 | 009925 (N/A) | 009925 (N/A) | Nozzle, spot outside corner .937 ID x 2.375 | 1 |
| 14 | 000443 (N/A) | 000443 (N/A) | Nozzle, spot inside corner | 1 |
| 15 | 004466 | 004466 | Nozzle, spot flat, 1-3/8 orf (35 mm) | 1 |
| 16 | 000442 (N/A) | 000442 (N/A) | Nozzle, spot flat, 15/16 orf (24 mm) | 1 |
| | 050960 | 050960 | Wrench | 1 |
| | 053131 | 053131 | Drive Roll, V-knurrl .030–1/16 (0.8–1.6 mm) | 1 |
| | 194405 ¹ | — | Complete Conduit Assemblies with Liner and Fittings (replaces 112 715) | 15 ft |
| | 194410 ¹ | — | Complete Conduit Assemblies with Liner and Fittings (replaces 112 716) | 30 ft |
| | 191065 | — | Replacement Liner, gun feed cable .187 OD x .110 ID | 32 ft |
| | 191066 | — | Replacement Liner, gun feed cable .187 OD x .110 ID | 50 ft |
| | 197440 | — | Replacement Liner, bulk gun feed cable .187 OD x .110 ID | 500 ft |
| | 191061 | — | Replacement Tubing, gun liner carrier | 15 ft |
| | 191062 | — | Replacement Tubing, gun liner carrier | 30 ft |
| | 191063 (N/A) | — | Replacement Tubing, gun liner carrier | 50 ft |
| | 156486 (N/A) | — | Conversion Kit, converts XRs with 4" contact tubes to 1-7/16" tubes | 1 |

¹Updates XRs from one-piece conduit (112715 or 112716) to new style configuration that features replaceable feed cable liners and improved feedability.

SPOOL GUNS

Spoolmatic serial numbers
KD376404 - LC259177

XR prior to serial number LC373469



#193 142 Barrel Assembly



- | | | | |
|--------------------------------|-------------------|-----------------------------------|-------------------|
| 1. Head Tube Liner | (See chart below) | 11. Contact Tip | (See chart below) |
| 2. O-Ring .614 ID | 134800 | 12. Barrel Extension (Air-cooled) | 156821 |
| 3. O-Ring .176 ID | 164485 | 13. Nozzle Extension (Air-cooled) | 144862 |
| 4. Barrel Adapter (Air-cooled) | 164423 | 14. Nozzle (Standard) | 050622 |
| 5. Set Screw | 602172 | Wrench (Not shown) | 136821 |
| 6. Jam Nut (Air-cooled) | 058685 | | |
| 7. Head Tube (Air-cooled) | 164422 | | |
| 8. Set Screw (Air-cooled) | 604612 | | |
| 9. Contact Tip Adapter | 164421 | | |
| 10. Collet Nut | 136748 | | |

XR™ / XR-M, Spoolmatic® 15/30A Consumables

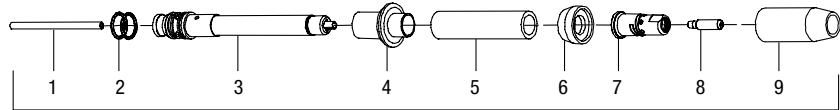
Air-cooled parts breakdown and gun shown. Consult owner's manual for water-cooled parts and consumables.

| Wire Diameter | Standard Contact Tip I.D. | Optional (Smaller) Contact Tip I.D. | Gun Head Tube Liner |
|------------------|--------------------------------|-------------------------------------|---------------------|
| .030 in (0.8 mm) | .041 in (1.0 mm) 135428 | .036 in (1.0 mm) 135427 | 136682 |
| .035 in (0.9 mm) | .052 in (1.3 mm) 135430 | .041 in (1.0 mm) 147314 | 136682 |
| .047 in (1.2 mm) | .061 in (1.5 mm) 135424 | .052 in (1.0 mm) 135429 | 136683 |
| .062 in (1.6 mm) | .081 in (2.1 mm) 135425 | .073 in (1.0 mm) 135426 | 136683 |

For guns between LC259177 and LE239243, call Miller parts for information.

Spoolmatic effective with serial number
LE239243

XR effective with serial number LE033395



#231 523 Air-Cooled Assembly Kit (Illustrated above)
#231 524 Water-Cooled Assembly Kit (Not shown, consult owner's manual)



- | | | | |
|---------------------------------|---------------|----------------------|-------------------|
| 1. Head Tube Liner | 212156 | 6. Nozzle Insulator | 232284 |
| 2. O-Ring .614 ID | 134800 | 7. Diffuser | 227749 |
| 3. Barrel Assembly (Air-cooled) | 221087 | 8. Contact Tip | (See chart below) |
| 4. Barrel Pistol Insulator | 219795 | 9. Nozzle (Standard) | 199613 |
| 5. Outer Insulating Jacket | 219794 | | |

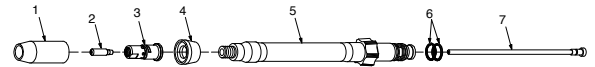
XR™ / XR-M, Spoolmatic® 15/30A FastTip™

Air-cooled parts breakdown and gun shown. Consult owner's manual for water-cooled parts and consumables.

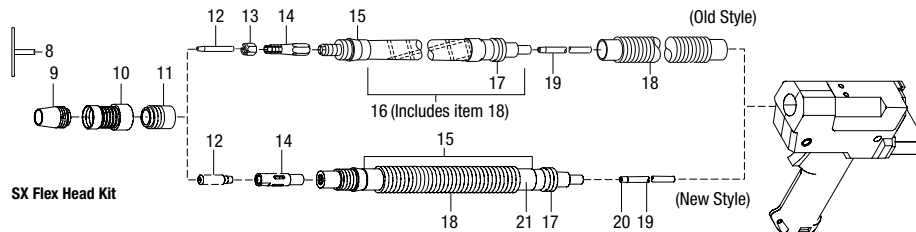
| Wire Diameter Steel / Aluminum | FasTip Contact Tip I.D. | XR-Pistol Drive Rolls | XR-Pistol All-Wire Dual Groove Drive Rolls | Cable Liners |
|-------------------------------------|--------------------------------|--------------------------|---|--------------------------------|
| .035 in (0.9 mm) / .030 in (0.8 mm) | .041 in (1.0 mm) 206186 | 183357 | 136135 | 191065 15 ft (4.6 m) or |
| .040 in (1.0 mm) / .035 in (0.9 mm) | .047 in (1.2 mm) 206187 | 183357 | 136135 | 30 ft (9.1 m) |
| .045 in (1.2 mm) / - | .053 in (1.3 mm) 206188 | 183357 | 136135 | 191066 50 ft (15.2 m) |
| .052 in (1.3 mm) / .047 in (1.2 mm) | .061 in (1.5 mm) 206189 | 183358 | 136135 | 197440 500 ft (152 m) |
| .062 in (1.6 mm) / - | .071 in (1.8 mm) 206190 | 183358 | 136135 | |



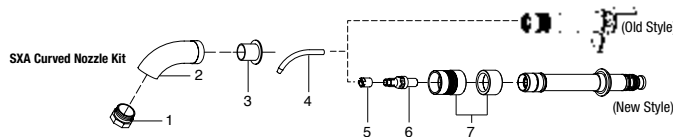
XR™-A/Spoolmatic® 30A Options



| Item # | Part # | Description | Kit Quantity |
|--------|---------------------|--|--------------|
| | 222735 | Kit, Flex Head 10 in for XRA | |
| 1 | 199613 | Nozzle, Brass 5/8 in Orifice Tapered | 1 |
| 2 | See Page 47 | Contact Tip | 1 |
| 3 | 206195 | Diffuser, .281/.312 Od Fastip 1/8 Tip Recess | 1 |
| 4 | 198856 | Insulator, Nozzle | 1 |
| 5 | 222839 (N/A) | Torch, Flex | 1 |
| 6 | 134800 | O-Ring, .614 Id x .070 CS 70 Duro Buna-N | 2 |
| 7 | 222855 | Kit, Liner (Includes) | 1 |
| | 222853 | Liner, Nylon .030-.045 Wire x 11.625 | 1 |
| | 1910031 | Liner, Nylon .047-.062 Wire x 11.625 | 1 |



| Item # | Part # (Old Style) | Part # (New Style) | Description | Kit Quantity |
|--------|---------------------|---------------------|---|-------------------------------|
| 8 | 136821 | — | Wrench (standard length), nut tip contact | 1 |
| 9 | — | See page 44 | Nozzle | 1 |
| 10 | 144862 | 144862 | Extension Nozzle | 1 |
| 11 | 130632 | 130632 | Insulator, ring | 1 |
| 12 | — | See page 44 | Contact Tip | 1 |
| 13 | 136748 | — | Nut, compression | 1 |
| 14 | 136431 | — | Adapter, contact tube | 1 |
| | — | 209875 | Diffuser, FasTip slotted | 1 |
| 15 | 153667 | 153667 | Clamp, Sst bundle dia 2.00 x .18 wide x 7.90 lg | 1 (Old Style) / 2 (New Style) |
| 16 | 140665 | 212679 (N/A) | Tube, head flexible (includes) | 1 |
| 17 | 134800 | 134800 | O-Ring, .614 ID x .070CS | 2 |
| 18 | 131171 (N/A) | 131171 (N/A) | Tubing, npm convoluted 7.100 lg x .740 ID cuffs | 1 |
| 19 | 138255 | 222853 | Liner, teflon .030-.035 (0.8-0.9 mm) wire x 11.625 lg, black | 1 |
| | 132682 | 1910031 | Liner, teflon .047-.062 (1.2-1.6 mm) wire x 11.625 lg, yellow | 1 |
| | — | 212401 | Liner, phos bronze .030-1/16 (0.8-1.6 mm) wire x 11.249 | 1 |
| 20 | — | 134799 | O-Ring, .176 ID x .070CS | 1 |
| 21 | — | 212680 (N/A) | Flex torch (inside tubing) | 1 |



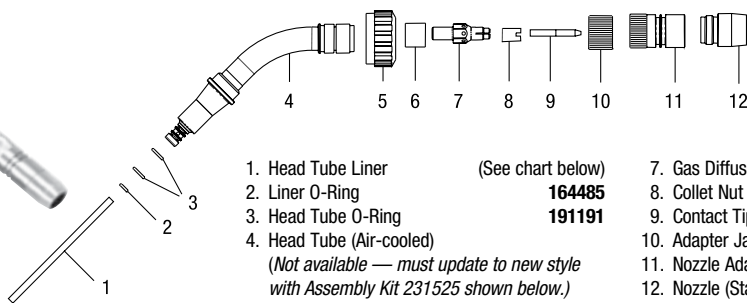
New style Spoolmatic effective with serial number LE239243.

New style XR effective with serial number LE033395.

| Item # | Part # (Old Style) | Part # (New Style) | Description | Kit Quantity |
|--------|--------------------|--------------------|---|--------------|
| | 147174 | 300161 | Kit, SXA Curved Nozzle 50 Degree, Machine Sales Item | |
| 1 | 005417 | 005417 | Nut, retaining ring | 1 |
| 2 | 005432 | 005432 | Nozzle, curve with collar | 2 |
| 3 | 148158 | 148158 | Insulator, nozzle | 2 |
| 4 | 148155 | 148155 | Tip, cont sl .030-.035 (0.8-0.9 mm) wire curved | 2 |
| | 148154 | 148154 | Tip, cont sl 3/64 (1.19 mm) wire curved | 2 |
| | 148156 | 148156 | Tip, cont sl 1/16 (1.6 mm) wire curved | 2 |
| 5 | 136748 | 136748 | Nut, compression | 1 |
| 6 | 185110 | 185110 | Adapter, quick-change contact tip | 1 |
| 7 | — | 193794 | Kit, nozzle adapter | 1 |
| 8 | 148151 | 148151 | Wrench (short length), nut retaining tip contact | 1 |
| | — | 222462 | Kit, 50 degree head tube (air-cooled), Machine Sales Item | 1 |
| | — | 222464 | Kit, 50 degree head tube (water-cooled), Machine Sales Item | 1 |

SPOOL GUNS

XR from serial number
KK082113 to LC373468



- | | | | |
|---------------------------|--|-----------------------|-------------------|
| 1. Head Tube Liner | (See chart below) | 7. Gas Diffuser | 185110 |
| 2. Liner O-Ring | 164485 | 8. Collet Nut | 136748 |
| 3. Head Tube O-Ring | 191191 | 9. Contact Tip | (See chart below) |
| 4. Head Tube (Air-cooled) | (Not available — must update to new style with Assembly Kit 231525 shown below.) | 10. Adapter Jam Nut | 185102 |
| 5. Lock Nut | 185111 | 11. Nozzle Adapter | 185105 |
| 6. Insulator | 185097 | 12. Nozzle (Standard) | 185100 |

Note: For optional nozzles see page 38.

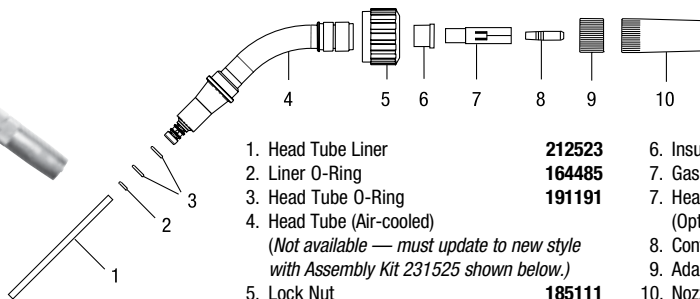
XR-Edge™

Consumables

Air-cooled parts breakdown and gun shown.
Consult owner's manual for water-cooled parts and consumables.

| Wire Diameter | Standard Contact Tip I.D. | Optional (Smaller) Contact Tip I.D. | Gun Head Tube Liners | Aluminum Feed Cable Liners |
|------------------|---------------------------|-------------------------------------|----------------------|----------------------------|
| .030 in (0.8 mm) | .041 in (1.0 mm) 135428 | .036 in (0.9 mm) 135427 | 193793 | 191065 30 ft (9 m) |
| .035 in (0.9 mm) | .052 in (1.3 mm) 135430 | .041 in (1.0 mm) 147314 | 193793 | 191066 50 ft (15.2 m)w |
| .040 in (1.0 mm) | .052 in (1.3 mm) 135430 | — | 193793 | 197440 500 ft (152 m) |
| .047 in (1.2 mm) | .061 in (1.5 mm) 135424 | .052 in (1.3 mm) 135429 | 193792 | |

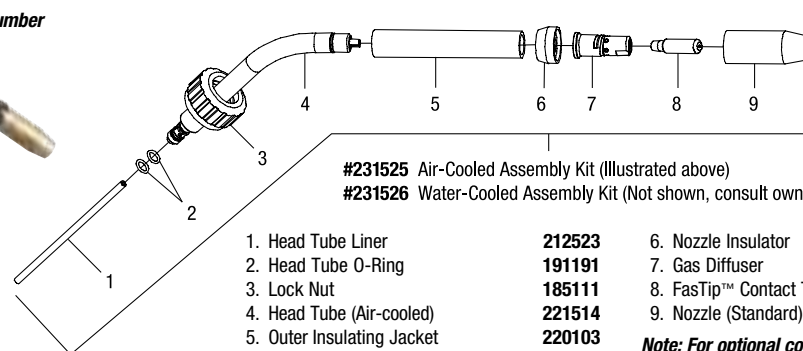
XR from serial number
LC373394 to LE033394



- | | | | |
|---------------------------|--|---------------------------------------|-------------------|
| 1. Head Tube Liner | 212523 | 6. Insulator | 185097 |
| 2. Liner O-Ring | 164485 | 7. Gas Diffuser | 209875 |
| 3. Head Tube O-Ring | 191191 | 7. Heavy-Duty Gas Diffuser (Optional) | 209875 |
| 4. Head Tube (Air-cooled) | (Not available — must update to new style with Assembly Kit 231525 shown below.) | 8. Contact Tip | (See chart below) |
| 5. Lock Nut | 185111 | 9. Adapter Jam Nut | 185102 |
| | | 10. Nozzle (Standard) | 197728 |

Note: For optional nozzles see page 38.

XR effective with serial number
LE033395



#231525 Air-Cooled Assembly Kit (Illustrated above)
#231526 Water-Cooled Assembly Kit (Not shown, consult owner's manual)

- | | | | |
|----------------------------|--------|------------------------|-------------------|
| 1. Head Tube Liner | 212523 | 6. Nozzle Insulator | 232284 |
| 2. Head Tube O-Ring | 191191 | 7. Gas Diffuser | 227749 |
| 3. Lock Nut | 185111 | 8. FasTip™ Contact Tip | (See chart below) |
| 4. Head Tube (Air-cooled) | 221514 | 9. Nozzle (Standard) | 199613 |
| 5. Outer Insulating Jacket | 220103 | | |

Note: For optional consumables see page 38.

XR-Edge FasTip™

Consumables

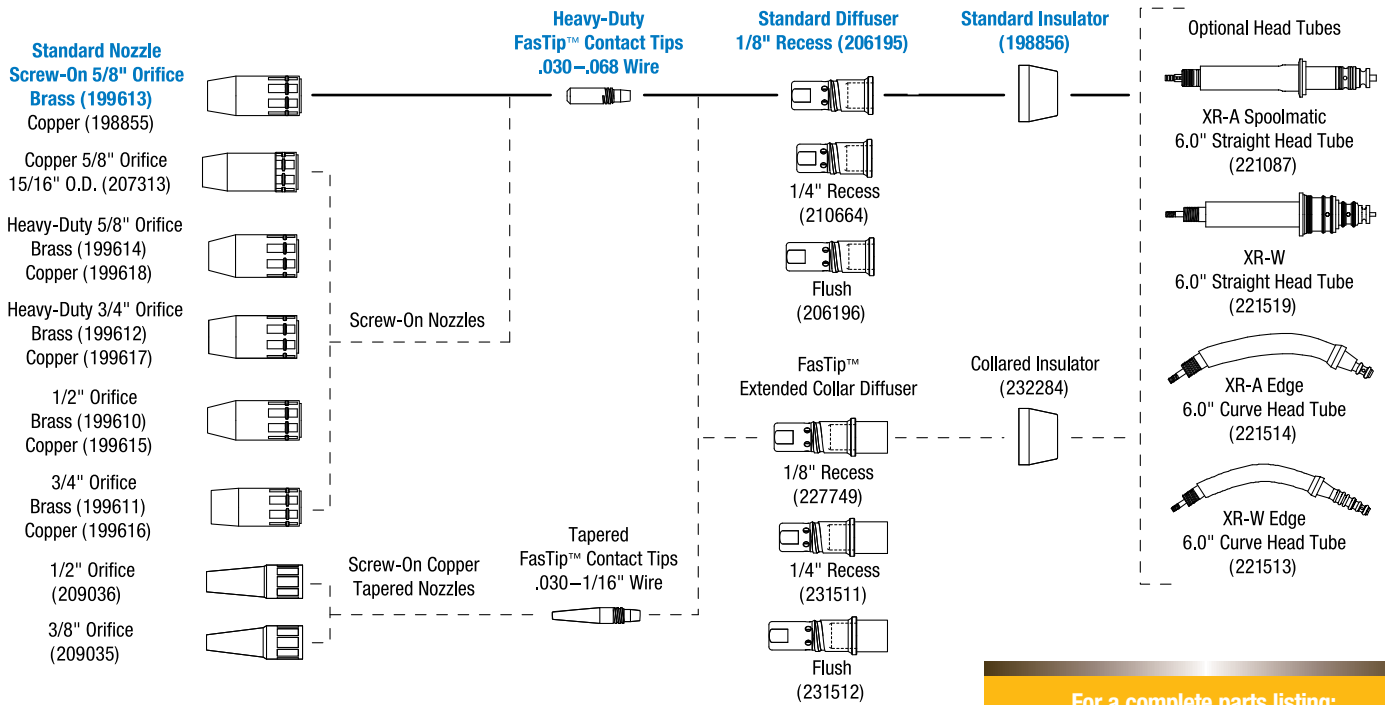
Air-cooled parts breakdown and gun shown.
Consult owner's manual for water-cooled parts and consumables.

| Wire Diameter | FasTip Contact Tip I.D. | XR-Edge Drive Rolls | Optional Isolated XR-Edge Drive Rolls | Cable Liners |
|---|-------------------------|---------------------|---------------------------------------|-------------------------|
| Steel / Aluminum .035 in (0.9 mm) / .030 in (0.8 mm) | .041 in (1.0 mm) 206186 | 194114 | 198434 (N/A) | 191065 15 ft (4.6 m) or |
| .040 in (1.0 mm) / .035 in (0.9 mm) | .047 in (1.2 mm) 206187 | 194115 | 198435 | 30 ft (9.1 m) |
| .045 in (1.2 mm) / — | .053 in (1.3 mm) 206188 | 196302 | 198436 (N/A) | 191066 50 ft (15.2 m) |
| .052 in (1.3 mm) / .047 in (1.2 mm) | .061 in (1.5 mm) 206189 | 194116 | 198437 | 197440 500 ft (152 m) |
| .062 in (1.6 mm) / — | .071 in (1.8 mm) 206190 | 194117 | 198438 (N/A) | |



New Style XR™ -Edge and XR™ /Spoolmatic® FasTip™ Consumables

Note: Standard gun components are in blue type.



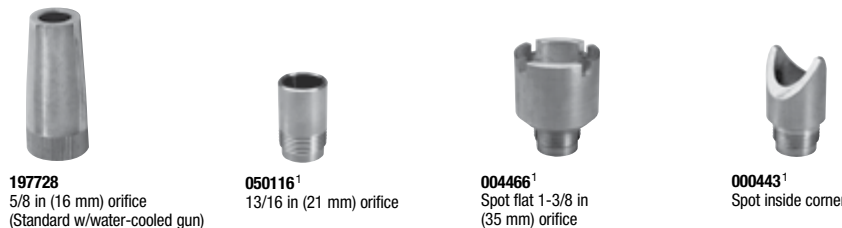
For a complete parts listing:

see pages 38-41

XR™/Spoolmatic® 30A Nozzles (Serial Numbers KD376404-LC259177)



XR™ -Edge Nozzles (Serial Numbers KK082113 - LE033394)

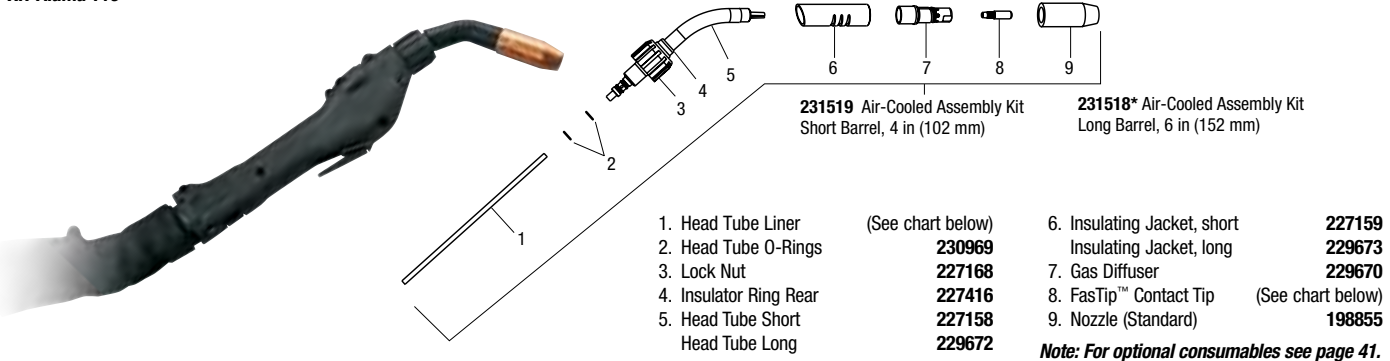


¹ Can use with water-cooled guns, Nozzle Adapter Kit 193794 required.

| Contact Tips | | Description |
|---------------------------|------------|--|
| (10 p/pkg) | (25 p/pkg) | |
| Heavy-Duty FasTip™ | | |
| 223016 | 206186 | .030/.035 in (0.8/0.9 mm) aluminum wire |
| 223017 | 206187 | .035/.040 in (0.9/1.0 mm) aluminum wire |
| 223018 | 206188 | .040/.045 in (1.0/1.2 mm) aluminum wire |
| 223019 | 206189 | .052 in (1.3 mm) or 3/64 in (1.2 mm) aluminum wire |
| 223200 | 206190 | 1/16 in (1.6 mm) |
| — | 206191 | .068 in (1.7 mm) or 1/16 in (1.6 mm) aluminum wire |
| Tapered FasTip™ | | |
| — | 209026 | .030/.035 in (0.8/0.9 mm) aluminum wire |
| — | 209027 | .035/.045 in (0.9/1.2 mm) aluminum wire |
| — | 209028 | 3/64 in (1.2 mm) |
| — | 209029 | .052 in (1.3 mm) |
| — | 209030 | 1/16 in (1.6 mm) |

SPOOL GUNS

XR-Aluma-Pro



- 1. Head Tube Liner (See chart below)
 - 2. Head Tube O-Rings **230969**
 - 3. Lock Nut **227168**
 - 4. Insulator Ring Rear **227416**
 - 5. Head Tube Short **227158**
Head Tube Long **229672**
 - 6. Insulating Jacket, short **227159**
Insulating Jacket, long **229673**
 - 7. Gas Diffuser **229670**
 - 8. FasTip™ Contact Tip (See chart below)
 - 9. Nozzle (Standard) **198855**
- Note: For optional consumables see page 41.**

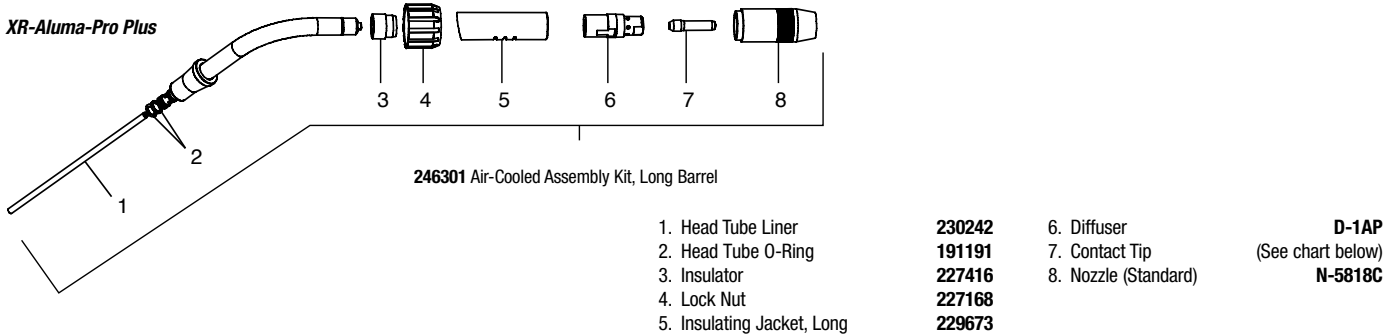
XR-Aluma-Pro™ Consumables

Air-cooled parts breakdown and gun shown. Consult owner's manual for water-cooled parts and consumables.

| Wire Diameter Steel / Aluminum | FasTip Contact Tip I.D. | Drive Rolls | Idler Rolls | Inlet Guides | Air-Cooled Head Tube Liner Short Barrel, 4 in (102 mm) | Air/Water Cooled Head Tube Liner Long Barrel, 6 in (152 mm) | Cable Liners |
|-------------------------------------|--------------------------------|---------------|---------------|---------------|--|---|------------------------------|
| .035 in (0.9 mm) / .030 in (0.8 mm) | .041 in (1.0 mm) 206186 | 227434 | 227439 | 227408 | 227161 | 229674 | 229887 15 ft (4.6 m) |
| .040 in (1.0 mm) / .035 in (0.9 mm) | .047 in (1.2 mm) 206187 | 227434 | 227439 | 227408 | 227161 | 229674 | 229891 25 ft (7.6 m) |
| .045 in (1.2 mm) / - | .053 in (1.3 mm) 206188 | 227434 | 227439 | 227408 | 230239 | 229431 | 232321 35 ft (10.6 m) |
| .052 in (1.3 mm) / .047 in (1.2 mm) | .061 in (1.5 mm) 206189 | 227434 | 227439 | 227408 | 230239 | 229431 | 233999 Long* |
| .062 in (1.6 mm) / - | .071 in (1.8 mm) #06190 | 227434 | 230710 | 230711 | 230239 | 229431 | 233998 Short* |

*Optional phos bronze liners.

XR-Aluma-Pro Plus



- 1. Head Tube Liner **230242**
- 2. Head Tube O-Ring **191191**
- 3. Insulator **227416**
- 4. Lock Nut **227168**
- 5. Insulating Jacket, Long **229673**
- 6. Diffuser **D-1AP**
- 7. Contact Tip (See chart below) **N-5818C**
- 8. Nozzle (Standard)

XR-Aluma-Pro Plus™ Consumables

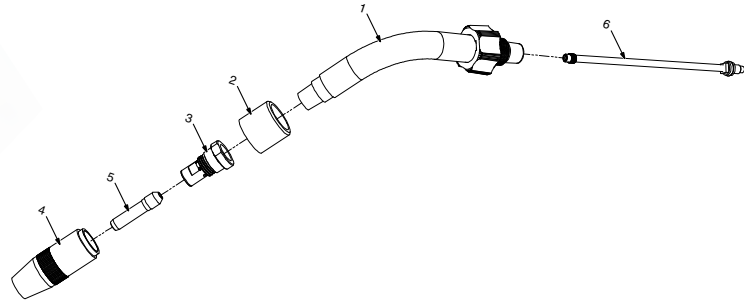
Air-cooled parts breakdown and gun shown. Consult owner's manual for water-cooled parts and consumables.

| Wire Diameter Steel / Aluminum | Contact Tips (10 pack) Steel / Aluminum | Drive Rolls | Idler Rolls | Air/Water Cooled Head Tube Liner Long Barrel, 6 in (152 mm) | Cable Liners |
|-------------------------------------|--|---------------|---------------|---|------------------------------|
| .035 in (0.9 mm) / .030 in (0.8 mm) | T-035 / - | 227434 | 230708 | 230235 | 229887 15 ft (4.6 m) |
| .040 in (1.0 mm) / .035 in (0.9 mm) | - / T-035AL | 227434 | 230708 | 230235 | 229891 25 ft (7.6 m) |
| .045 in (1.2 mm) / - | T-045 / T-047AL | 227434 | 230708 | 230432 | 232321 35 ft (10.6 m) |
| .052 in (1.3 mm) / .047 in (1.2 mm) | - / - | 227434 | 230708 | 230432 | 233999 Long* |
| .062 in (1.6 mm) / - | T-062 / T-062AL | 227434 | 230708 | 230432 | 233998 Short* |

Air-cooled parts breakdown and gun shown. Consult owner's manual for water-cooled parts and consumables.
*Optional phos bronze liners.

For parts and support on the XR Python please contact MK Products at 949-863-1234

XR-Aluma-Pro Lite



XR-Aluma-Pro™ Lite Consumables

Air-cooled parts breakdown and gun shown. Consult owner's manual for water-cooled parts and consumables.

| Item # | Part # | Description | Quantity |
|--------|----------|--|----------|
| 1 | 254477 | Head Tube Assy, Aluma-Pro Lite (Including) | 1 |
| | QT2-45 | Tube, Body 45 Degree x 2.69 Lg | 1 |
| | 1840057 | Clip-on Q-Nut Cover | 1 |
| | 1840031 | Body Tube Insulating Sleeve | 2 |
| 2 | 4323R | Insulator, Nozzle (Small) | 1 |
| | DS-1 | Diffuser, C-Fire (Small Nozzle) | 1 |
| 4 | NS-1218C | Nozzle, C-Fire Small Copper 1/2 in. Recess 1/8 in. | 1 |
| 5 | T-047AL | Centerfire Contact Tip, Aluminum 3/64 in. | 1 |
| 5 | T-035AL | Centerfire Contact Tip, Aluminum .035 | 1 |
| 5 | T-047AL | Centerfire Contact Tip, Aluminum 3/64 in. | 1 |
| 5 | T-035AL | Centerfire Contact Tip, Aluminum .035 | 2 |
| 6 | 258541 | Kit, Jump Liner Assy .030-.035 (5 pk) | 1 |
| 6 | 258542 | Kit, Jump Liner Assy .047-.062 (5 pk) | 1 |
| 6 | 258726 | Kit, Jump Liner Assy .030-.035 14 in. Long (5 pk) | 1 |
| 6 | 258727 | Kit, Jump Liner Assy .047-.062 14 in. Long (5 pk) | 1 |

Optional Head Tube Assemblies (for XR-Aluma-Pro guns)



45 Degree/4 Inch (Air-Cooled) **255037**



45 Degree/4 Inch (Water-Cooled) **255338**



45 Degree/6 Inch (Air-Cooled) **255040**



45 Degree/6 Inch Heavy-Duty (Water-Cooled) **258293**



45 Degree/6 Inch (Water-Cooled) **231517**



45 Degree/10 Inch Tight ACS (Air-Cooled) **258295**

Optional Head Tube Assemblies (for XR-Aluma-Pro guns) continued...



60 Degree/4 Inch (Air-Cooled) **231519**



60 Degree/4 Inch (Water-Cooled) **255038**



60 Degree/6 Inch (Air-Cooled) **231518**



60 Degree/6 Inch (Water-Cooled) **255041**



60 Degree/6 Inch Heavy-Duty
(Water-Cooled) **258294**



180 Degree/4 Inch (Air-Cooled) **255716**



180 Degree/4 Inch (Water-Cooled) **255717**



180 Degree/6 Inch (Air-Cooled) **258476**



180 Degree/6 Inch (Water-Cooled) **258477**



180 Degree/8 Inch (Air-Cooled) **255042**



180 Degree/8 Inch (Water-Cooled) **255043**



45 Degree/6 Inch with Centerfire™
(Water-Cooled) **246205**



60 Degree/6 Inch with Centerfire™
(Air-Cooled) **246301**

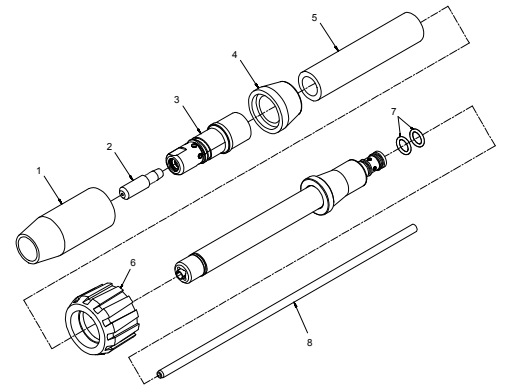


180 Degree/4 Inch with Centerfire™
(Air-Cooled) **258474**



180 Degree/4 Inch with Centerfire™
(Water-Cooled) **258475**

XR-Pistol Pro



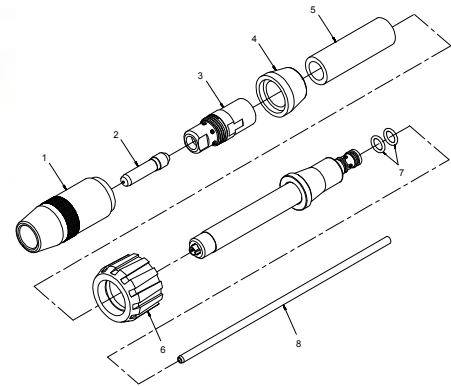
XR-Pistol Pro™

Consumables

Air-cooled parts breakdown and gun shown.
Consult owner's manual for water-cooled parts and consumables.

| Item # | Part # | Description | Quantity |
|--------|--------|--|----------|
| | 255716 | Kit, Head Tube Assy (Air) AP/PP 180 Degree 4 in. | 1 |
| 1 | 198855 | Nozzle, Copper 5/8 in. | 1 |
| 2 | 206189 | Tip, Fastip .312 Od .052 And 3/64 Al Wires | 1 |
| 3 | 229670 | Diffuser, .281/.312 Od Collar Fastip 1/8 Rec Aluma | 1 |
| 4 | 232284 | Insulator, Nozzle Collared | 1 |
| 5 | M1366 | Jacket Outer Insulating A/C Pistol Pro | 1 |
| 6 | 227168 | Nut, Head Tube Rotation | 1 |
| 7 | 191191 | O-Ring, .312 Id x .070 Cs 70 Duro Buna-n | 2 |
| 8 | M1273 | Liner, Teflon .047-.062 Wire Pistol Pro | 1 |
| | 230969 | Kit, Replacement O-Rings Head Tube Air | 1 |

XR-Pistol Pro Plus



XR-Pistol Pro Plus™

Consumables

Air-cooled parts breakdown and gun shown.
Consult owner's manual for water-cooled parts and consumables.

| Item # | Part # | Description | Quantity |
|--------|-------------|---|----------|
| | 258474 | Kit, Head Tube Assy (Air) AP/PP 180 Degree 4 in. Lg Cntrfr | 1 |
| 1 | N-5818C | Nozzle, C-Fire Large Copper 5/8 in. Recess 1/8 in. | 1 |
| 2 | T-047AL | Contact Tip, Centerfire .047 Aluminum | 1 |
| 3 | D-1AP | Diffuser, Centerfire-D-1AP | 1 |
| 4 | 232284 | Insulator, Nozzle Collared Diffuser (For 180 Degree/ Straight Only) | 1 |
| 5 | M1190 (N/A) | Insulator, Outer 180 Degree/ Straight (Air) | 1 |
| 6 | 227168 | Nut, Head Tube Rotation | 1 |
| | 230969 | Kit, Replacement O-Rings Head Tube Air (Includes) | 1 |
| 7 | 191191 | O-Ring, .312 Id x .070 Cs 70 Duro Buna-n | 2 |
| 8 | M1442 | Liner, Teflon .047-.062 Wire Soft Pro/Plus | 1 |

DRIVE ROLLS



2 Roll Kit

Base selection of drive rolls upon the following recommended usages:

1. V-Grooved rolls for hard wire.
2. U-Grooved rolls for soft and soft shelled cored wires.
3. U-Cogged rolls for extremely soft shelled wires.
4. V-Knurled rolls for hard shelled cored wires.
5. Drive roll types may be mixed to suit particular requirement (example: V-Knurled roll in combination with U-Grooved).

For a listing of special optional drive rolls:

see page 50

Drive Rolls

Millermatic® 200/210/212/250/251/252/DVI's/Pulser/Vintage (2 Drive Roll)
22/32/52 Series, SuitCase™ 8/12RC & 8/12VS, Reach Feeders (2 Drive Roll)

| Wire Diameter | | | Drive Rolls | | | |
|------------------|------------------|-----------------|-------------|---------------------|------------------------------|--------------------|
| Fraction | Decimal | Metric | Type | Kit # | Individual Drive Roll Part # | Inlet Wire Guide # |
| .023 – .025 in | .023 – .025 in | 0.6 mm | V-Grooved | 087131 | 087130 | 056192 |
| .030 in | .030 in | 0.8 mm | V-Grooved | 079594 | 053695 | 056192 |
| .030 and .035 in | .030 and .035 in | 0.8 and 0.9 mm | V-Grooved | 204579 ¹ | 203526 ¹ | 056192 |
| .035 and .045 in | .035 and .045 in | 0.9 and 1.22 mm | V-Grooved | 190300 ¹ | 189285 ¹ | 056193 |
| .035 in | .035 in | 0.9 mm | V-Grooved | 079595 | 053700 | 056192 |
| .045 in | .045 in | 1.2 mm | V-Grooved | 079596 | 053697 | 056193 |
| .052 in | .052 in | 1.3 mm | V-Grooved | 079597 | 053698 | 056193 |
| 1/16 in | .062 in | 1.6 mm | V-Grooved | 079598 | 053699 | 056195 |
| .035 in | .035 in | 0.9 mm | U-Grooved | 044749 | 072000 | 221912 |
| 3/64 in | .047 in | 1.2 mm | U-Grooved | 079599 | 053701 | 221912 |
| .052 in | .052 in | 1.3 mm | U-Grooved | — | 053702 | 221912 |
| 1/16 in | .062 in | 1.6 mm | U-Grooved | 079601 | 053706 | 056195 |
| 5/64 in | .079 in | 2.0 mm | U-Grooved | — | 053704 | 056195 |
| 3/32 in | .094 in | 2.4 mm | U-Grooved | — | 053703 | 056196 |
| 7/64 in | .110 in | 2.8 mm | U-Grooved | — | 053705 | 056196 |
| 1/8 in | .126 in | 3.2 mm | U-Grooved | — | 053707 | 056197 |
| .035 in | .035 in | 0.9 mm | V-Knurled | 079606 | 132958 | 056192 |
| .045 in | .045 in | 1.2 mm | V-Knurled | 079607 | 132957 | 056193 |
| .045 and 1/16 in | .045 and 1/16 in | 1.22 and 1.6 mm | VK-Grooved | 238687 ¹ | 238688 ¹ | 221030 |
| .052 in | .052 in | 1.3 mm | V-Knurled | 079608 | 132956 | 056193 |
| 1/16 in | .062 in | 1.6 mm | V-Knurled | 079609 | 132955 | 056195 |
| .068 – .072 in | .068 – .072 in | 1.8 mm | V-Knurled | 089984 | 132959 | 056195 |
| 5/64 in | .079 in | 2.0 mm | V-Knurled | 079610 | 132960 | 056195 |
| 3/32 in | .094 in | 2.4 mm | V-Knurled | 079611 | 132961 | 056196 |
| 7/64 in | .110 in | 2.8 mm | V-Knurled | — | 132962 | 056196 |
| 1/8 in | .126 in | 3.2 mm | V-Knurled | — | 132963 | 056197 |
| .045 in | .045 in | 1.2 mm | U-Cogged | 083318 | 083489 | 056193 |
| .052 in | .052 in | 1.3 mm | U-Cogged | — | 083490 | 056193 |
| 1/16 in | .062 in | 1.6 mm | U-Cogged | 079614 | 053708 | 056195 |
| 5/64 in | .079 in | 2.0 mm | U-Cogged | — | 053710 | 056195 |
| 3/32 in | .094 in | 2.4 mm | U-Cogged | — | 053709 | 056196 |
| 7/64 in | .110 in | 2.8 mm | U-Cogged | — | 053711 | 056196 |
| 1/8 in | .126 in | 3.2 mm | U-Cogged | — | 053712 | 056197 |

¹Dual-size reversible drive roll

22/24 Series & SuitCase Feeders Nylon Wire Guides (For Feeding Aluminum Wire)

| Wire Diameter | Inlet Guide # |
|------------------|---------------|
| .047 in (1.2 mm) | 151203 |
| 1/16 in (1.6 mm) | 151205 |
| 3/32 in (2.4 mm) | 194264 |

Note: Each drive roll kit contains 2 Drive Rolls and an Inlet Guide.

Note: U-Groove drive rolls are recommended when feeding aluminum wire.



Drive Rolls

Millermatic® 300/350/350P with Meters (4 Drive Roll)
54 Series, 24A & R-115 Feeders (4 Drive Roll)

| Wire Diameter | | | Drive Rolls | | | Wire Guide | |
|------------------|------------------|----------------|-------------|-------------------------------------|------------------------------|------------|----------------|
| Fraction | Decimal | Metric | Type | Kit # | Individual Drive Roll Part # | Inlet # | Intermediate # |
| .023 – .025 in | .023 – .025 in | 0.6 mm | V-Grooved | 087132 | 087130 | 056192 | 056206 |
| .030 in | .030 in | 0.8 mm | V-Grooved | 046780 | 053695 | 056192 | 056206 |
| .035 in | .035 in | 0.9 mm | V-Grooved | 046781 | 053700 | 056192 | 056206 |
| .035 and 3/64 in | .035/.045 in | 0.9/1.2 mm | V-Grooved | 227061 ¹ | 189285 | 056193 | 056207 |
| 3/64 in | .045 in | 1.2 mm | V-Grooved | 046782 | 053697 | 056193 | 056207 |
| .052 in | .052 in | 1.3 mm | V-Grooved | 046783 | 053698 | 056193 | 056207 |
| 1/16 in | .062 in | 1.6 mm | V-Grooved | 046784 | 053699 | 056195 | 056209 |
| .035 in | .035 in | 0.9 mm | U-Grooved | 044750 | 072000 | 221912 | 058853 |
| 3/64 in | .047 in | 1.2 mm | U-Grooved | 046785 | 053701 | 221912 | 058853 |
| .035 and 3/64 in | .035 and .045 in | 1.9 and 1.2 mm | U-Grooved | — | 232826 | 221912 | 233843 |
| .052 in | .052 in | 1.3 mm | U-Grooved | — | 053702 | 221912 | 058837 |
| 1/16 in | .062 in | 1.6 mm | U-Grooved | 046787 | 053706 | 058836 | 058837 |
| 5/64 in | .079 in | 2.0 mm | U-Grooved | — | 053704 | 056195 | 056209 |
| 3/32 in | .094 in | 2.4 mm | U-Grooved | — | 053703 | 056196 | 056210 |
| 7/64 in | .110 in | 2.8 mm | U-Grooved | — | 053705 | 056196 | 056210 |
| 1/8 in | .126 in | 3.2 mm | U-Grooved | — | 053707 | 056197 | 056211 |
| .035 in | .035 in | 0.9 mm | V-Knurled | 046792 | 132958 | 056192 | 056206 |
| 3/64 in | .045 in | 1.2 mm | V-Knurled | 046793 | 132957 | 056193 | 056207 |
| .052 in | .052 in | 1.3 mm | V-Knurled | 046794 | 132956 | 056193 | 056207 |
| 1/16 in | .062 in | 1.6 mm | V-Knurled | 046795 | 132955 | 056195 | 056209 |
| 5/64 in | .079 in | 2.0 mm | V-Knurled | 046796 | 132960 | 056195 | 056209 |
| 3/32 in | .094 in | 2.4 mm | V-Knurled | 046797 | 132961 | 056196 | 056210 |
| 7/64 in | .110 in | 2.8 mm | V-Knurled | — | 132962 | 056196 | 056210 |
| 1/8 in | .126 in | 3.2 mm | V-Knurled | — | 132963 | 056197 | 056211 |
| 3/64 in | .045 in | 1.2 mm | U-Cogged | — | 083489 | 056193 | 056207 |
| .052 in | .052 in | 1.3 mm | U-Cogged | — | 083490 | 056193 | 056207 |
| 1/16 in | .062 in | 1.6 mm | U-Cogged | — | 053708 | 056195 | 056209 |
| 5/64 in | .079 in | 2.0 mm | U-Cogged | — | 053710 | 056195 | 056209 |
| 3/32 in | .094 in | 2.4 mm | U-Cogged | — | 053709 | 056196 | 056210 |
| 7/64 in | .110 in | 2.8 mm | U-Cogged | — | 053711 | 056196 | 056210 |
| 1/8 in | .126 in | 3.2 mm | U-Cogged | — | 053712 | 056197 | 056211 |

¹Dual-size reversible V-groove drive roll (one .035 and one .045 in groove)

| Wire Diameter | Inlet Guide # | Intermediate Guide # |
|-----------------------------|---------------|----------------------|
| .035 – .047 in (0.9–1.2 mm) | 058854 | 058853 |
| 1/16 in (1.6 mm) | 058836 | 058837 |
| .023 – .052 in (0.6–1.3 mm) | 221912 | 233843 |

Note: Each drive roll kit contains 4 Drive Rolls, an Inlet Guide, and an Intermediate Guide.

Note: U-Groove drive rolls are recommended when feeding aluminum wire.

DRIVE ROLLS



Base selection of drive rolls upon the following recommended usages:

1. V-Grooved rolls for hard wire.
2. U-Grooved rolls for soft and soft shelled cored wires.
3. U-Cogged rolls for extremely soft shelled wires.
4. V-Knurled rolls for hard shelled cored wires.
5. Drive roll types may be mixed to suit particular requirement (example: V-Knurled roll in combination with U-Grooved).

For a listing of special optional drive rolls:

see page 50

Drive Rolls 62 series feeders, Pipe Pro 12 RC (2 roll kits), 64, 74 series feeder, Pipe Pro Single, Pipe Pro Single DX, Pipe Pro Dual DX, Pipe Worx 400 and all Axxess Feeders (4 roll kit)

| Wire Diameter | | | Drive Rolls | | | | Wire Guide | | |
|------------------|----------------|------------|-------------|---------------------|---------------------|---------------------|------------|--------------------------------|------------|
| Fraction | Decimal | Metric | Type | 2 Roll Kit # | 4 Roll Kit # | Individual Part # | Inlet # | Intermediate # | Antiwear # |
| .023 - .025 in | .023 - .025 in | 0.6 mm | V-Grooved | 151030 | 151024 | 087130 | 150993 | 149518 | 045233 |
| .030 in | .030 in | 0.8 mm | V-Grooved | — | 151025 | 053695 | 150993 | 149518 | 045233 |
| .035 in | .035 in | 0.9 mm | V-Grooved | 151032 | 151026 | 053700 | 150993 | 149518 | 045233 |
| .035 and 3/64 in | .035/.045 in | 0.9/1.2 mm | V-Grooved | 190300 ¹ | 209533 ¹ | 189285 ¹ | 150994 | 149519 | 045233 |
| .040 in | .040 in | 1.0 mm | V-Grooved | — | 161190 | 053696 | 150993 | 149518 | 045233 |
| 3/64 in | .045 in | 1.2 mm | V-Grooved | 151033 | 151027 | 053697 | 150994 | 149519 | 045233 |
| .052 in | .052 in | 1.3 mm | V-Grooved | 151034 | 151028 | 053698 | 150994 | 149519 | 045233 |
| 1/16 in | .062 in | 1.6 mm | V-Grooved | — | 151029 | 053699 | 150995 | 149520 | 045233 |
| .035 in | .035 in | 0.9 mm | U-Grooved | 151044 | 151036 | 072000 | 150993 | 149518 | 045233 |
| .035 and 3/64 in | .035/.045 in | 1.9/1.2 mm | U-Grooved | — | 244293 | 232826 | 221912 | 242417 (.035) 205936 (3/64) | |
| 3/64 in | .045 in | 1.2 mm | U-Grooved | 151045 | 151037 | 053701 | 150994 | 149519 | 045233 |
| .047 in | .047 in | 1.2 mm | U-Grooved | — | 243234 | 053701 | 221912 | 205936 | |
| .052 in | .052 in | 1.3 mm | U-Grooved | — | — | 053702 | 150994 | 149519 | 045233 |
| 1/16 in | .062 in | 1.6 mm | U-Grooved | 151047 | 151039 | 053706 | 150995 | 149520 | 045233 |
| 5/64 in | .079 in | 2.0 mm | U-Grooved | — | — | 053704 | 150995 | 149520 | 045233 |
| 3/32 in | .094 in | 2.4 mm | U-Grooved | — | 151041 | 053703 | 150996 | 149521 | 045233 |
| 7/64 in | .110 in | 2.8 mm | U-Grooved | — | — | 053705 | 150996 | 149521 | 045233 |
| 1/8 in | .126 in | 3.2 mm | U-Grooved | — | — | 053707 | 150997 | 149522 | 045233 |
| .035 in | .035 in | 0.9 mm | V-Knurled | 151061 | 151052 | 132958 | 150993 | 149518 | 045233 |
| 3/64 in | .045 in | 1.2 mm | V-Knurled | 151062 | 151053 | 132957 | 150994 | 149519 | 045233 |
| .052 in | .052 in | 1.3 mm | V-Knurled | — | 151054 | 132956 | 150994 | 149519 | 045233 |
| 1/16 in | .062 in | 1.6 mm | V-Knurled | 151064 | 151055 | 132955 | 150995 | 149520 | 045233 |
| .068 - .072 in | .068 - .072 in | 1.8 mm | V-Knurled | 151065 | 151056 | 132959 | 150995 | 149520 | 045233 |
| 5/64 in | .079 in | 2.0 mm | V-Knurled | 151066 | 151057 | 132960 | 150995 | 149520 | 045233 |
| 3/32 in | .094 in | 2.4 mm | V-Knurled | 151067 | 151058 | 132961 | 150996 | 149521 | 045233 |
| 7/64 in | .110 in | 2.8 mm | V-Knurled | — | 151059 | 132962 | 150996 | 149521 | 045233 |
| 1/8 in | .126 in | 3.2 mm | V-Knurled | — | 151060 | 132963 | 150997 | 149522 | 045233 |
| 3/64 in | .045 in | 1.2 mm | U-Cogged | — | 151070 | 083489 | 150994 | 149519 | 045233 |
| .052 in | .052 in | 1.3 mm | U-Cogged | — | — | 083490 | 150994 | 149519 | 045233 |
| 1/16 in | .062 in | 1.6 mm | U-Cogged | — | 151072 | 053708 | 150995 | 149520 | 045233 |
| 5/64 in | .079 in | 2.0 mm | U-Cogged | — | — | 053710 | 150995 | 149520 | 045233 |
| 3/32 in | .094 in | 2.4 mm | U-Cogged | — | — | 053709 | 150996 | 149521 | 045233 |
| 7/64 in | .110 in | 2.8 mm | U-Cogged | — | — | 053711 | 150996 | 149521 | 045233 |
| 1/8 in | .126 in | 3.2 mm | U-Cogged | — | — | 053712 | 150997 | 149522 | 045233 |

¹Dual-size reversible V-Groove drive roll (one .035 and one .045 in groove)

60 & 70 Series Nylon Wire Guides (For Feeding Aluminum Wire)

| Wire Diameter | Inlet Guide # | Intermediate Guide # |
|------------------|---------------|----------------------|
| .047 in (1.2 mm) | 151203 | 151204 |
| 1/16 in (1.6 mm) | 151205 | 151206 |

Note: Each drive roll kit contains 2 or 4 Drive Rolls, an Inlet Guide, an Intermediate Guide, and 045233 Antiwear Guide with 604612 Setscrew 8-32 x .125.

Note: U-Groove drive rolls are recommended when feeding aluminum wire.



Miller Drive Rolls

| | V-Groove | V-Groove | V-Groove | V-Groove | V-Knurl | V-Knurl | V-Knurl | Inlet Wire |
|--|-----------------------|------------------|------------------|------------------|------------------|------------------|------------------|------------|
| Machine | .023/.024 (0.6 mm) | .030 (0.8 mm) | .035 (0.9 mm) | .045 (1.2 mm) | .030 (0.8 mm) | .035 (0.9 mm) | .045 (1.2 mm) | Guide |
| SideKick™/SideKick™ XL | 090423 | 090423 | 090423 | — | 165603 | 165603 | 127229 | 058549 |
| Cricket®/Cricket® XL | 119028 | 119028 | — | — | 119028 | 119028 | 119028 | 058549 |
| Millermatic® 35 | — | 057590 (2) | 057590 (2) | — | — | — | — | 058549 |
| Millermatic® 90/130/Challenger | 119028 | 119028 | — | — | 119028 | 119028 | — | 058549 |
| Millermatic® 130 XP/150/185 | 090423 | 090423 | 090423 | — | 165603 | 165603 | 127229 | 058549 |
| Millermatic® Challenger™172 | 090423 | 090423 | 090423 | — | 165603 | 165603 | 127229 | 058549 |
| Millermatic® Passport™/ Passport™ Plus 135/140/175/180/211 | 202925 | 202925 | 202925 | — | 202926 | 202926 | 202926 | 058549 |
| Millermatic® 200/210/212/250/250x/251¹ | 087131 (kit) | 079594 (kit) | 079595 (kit) | 079596 (kit) | — | 079606 | 079607 | Page 43 |
| Millermatic® 252/ 300 without meters¹ | 087131 (kit) | 079594 (kit) | 079595 (kit) | 079596 (kit) | — | 079606 | 079607 | Page 43 |
| Millermatic® DVI™/Pulser/Vintage/Reach¹ | 087131 (kit) | 079594 (kit) | 079595 (kit) | 079596 (kit) | — | 079606 | 079607 | Page 43 |
| Millermatic® 300 with meters/350P | 087132 (kit) | 046780 (kit) | 046781 (kit) | 046782 (kit) | — | 046792 (kit) | 046793 (kit) | Page 44 |
| Millermatic® 125 Hobby/141/190/211 standard drive² | 261157 | 261157 | 261157 | — | 261157 | 261157 | — | 261151 |
| Multimatic™ 200 standard drive rolls² | 261157 | 261157 | 261157 | — | 261157 | 261157 | 261157 | 261151 |

¹ Optional Drive Rolls V-Groove .030(0.8mm) and .035(0.9mm) 204579² Optional Drive Rolls V-Groove .023/.024(0.6mm), .030(0.8mm) and .035(0.9mm) 220179; V-Knurl .030(0.8mm), .035(0.9mm) and .045(1.2mm) 202926; Inlet Wire 261151

XR Controls Drive Rolls

| Machine | U-Groove | U-Groove | U-Groove | U-Groove | U-Groove |
|---------------------|-------------------|-------------------|--------------------|-------------------|--------------------|
| XR/XR-S/XR-D | .030 in. (.76 mm) | .035 in. (.89 mm) | .040 in. (1.02 mm) | .47 in. (1.19 mm) | .062 in. (1.58 mm) |
| | 194118 | 194118 | 268848 | 268849 | 195591 |

Sub Arc Drive Rolls

| Machine | Part # | Description | Wire sizes |
|-----------------------------------|--------|-----------------------|----------------------------|
| RAD-400, RAD-400T, RAD-780 | | | |
| | 132955 | V-K Groove Drive Roll | 1/16 in. (.062 in.-1.6 mm) |
| | 132960 | V-K Groove Drive Roll | 5/64 in. (0.79 in.-2.0 mm) |
| | 132961 | V-K Groove Drive Roll | 3/32 in. (.094 in.-2.4 mm) |
| | 132962 | V-K Groove Drive Roll | 7/64 in. (.110 in.-2.8 mm) |
| | 132963 | V-K Groove Drive Roll | 1/8 in. (.125 in.-3.2 mm) |
| | 193700 | V-K Groove Drive Roll | 5/32 in. (.156 in.-4.0 mm) |
| | 193701 | V-K Groove Drive Roll | 3/16 in. (.188 in.-4.8 mm) |

Miller Spoolgun Drive Rolls

| | V-Knurl | V-Knurl | V-Knurl | U-Knurl | Inlet Wire |
|-------------------------|-------------------|-------------------|-------------------|-------------------|------------|
| Spoolguns | .030 in. (0.8 mm) | .035 in. (0.9 mm) | .045 in. (1.2 mm) | .062 in. (1.6 mm) | Guide |
| Spoolmate™ 100/185/3035 | 186414 | 186414 | — | — | 186410 |
| Spoolmate™ 100/185/3035 | 183413 | 183413 | — | — | 186410 |
| Spoolmate™ 200/3545 | 186414 | 186414 | 199397 | — | 186410 |
| Spoolmate™ 200/3545 | 183413 | 183413 | 199396 | — | 186410 |
| Spoolmate® 15A/30A | 136135 | 136135 | 136135 | 136135 | 132521 |
| Spoolmate® 15A/30A | 183357 | 183357 | 183358 | 183358 | 132521 |
| Spoolmate® 1, 2, 3 | 053131 | 053131 | 053131 | 053131 | 058549 |
| XR™-15/XR™-30 | 053131 | 053131 | 053131 | 053131 | on conduit |
| XR™-A /XR™-W Pistol | 136135 | 136135 | 136135 | 136135 | on conduit |
| XR™-A /XR™-W Pistol | 183357 | 183357 | 183358 | 183358 | on conduit |
| XR™-Edge | 194114 | 194115 | 194116 | 194117 | on conduit |
| XR™ Aluma-Pro™ | 227434 | 227434 | 227434 | 227434 | 227408 |
| XR™ Aluma-Pro™ Lite | 227434 | 227434 | 227434 | 227434 | 227408 |
| XR™ Aluma-Pro™ Plus | 227434 | 227434 | 227434 | 227434 | 227408 |

Hobart Drive Rolls

| Machine | Hard Wire (Steel) | | Soft Wire (Aluminum) | HT Wire (Hard Tubular) | | | Inlet Wire Guide |
|--|--|---------------------------------------|------------------------------|---|---|---|--|
| | V-Groove .024 (0.6 mm) | V-Groove .030-.035 (0.8-0.9 mm) | Urethane .035 (0.9 mm) | V-Knurl .030-.035 & .045 (0.8-0.9 & 1.2 mm) | Rev. Knurl .030 & .035 (0.8 & 0.9 mm) | Rev. Knurl .039-.045 (0.8-1.2 mm) | |
| Handler® 120/130XL/ 135/140/150/170/175/1 80/187/190/210 | 202925 or 407230-004 | 202925 246565* | — | 202926 | 193330 | 193331 | — |
| IronMan™ 210/250 | — | 202925 | — | 202926 | 193330 | 193331 | — |
| IronMan™ 275 IronMan™ 230 | Standard drive roll is part number 235286 v-grooved wire size is .030 - .035 other sizes available on page 46 under 52 series feeders. | | | | | | |
| Handler® 125/ 125EZ/130 | 212379 — 2-sided combination roll (.024 V-groove) (.030/.035 VK-groove) | | | | | | 212368 242524 (wire size .023-.045) |

Note: For all Beta-MIG drive rolls, contact Miller Service Parts

*Part number available on ALL Handler models with serial number MDXXXXXX and after

‡Available for Handler 120 and IronMan 210

Special Optional Drive Rolls

For 22/32/52/54/60/70 Series Feeders

| Part # | Description |
|---------------|---|
| 203526 | Dual V-Groove (one .030 and one .035 in groove) |
| 189285 | Dual V-Groove (one .035 and one .045 in groove) |
| 190300 | Dual V-Groove (2 drive rolls each with one .035 and one .045 in groove plus inlet guide) |
| 209533 | Dual V-Groove 4 Roll Kit (4 drive rolls each with one .035 and one .045 in groove plus guides and setscrew) |
| 198078 | No-Groove, Universal Quick-Change (Steel) |
| 088402 | No-Groove, Non-Quick-Change (Hard Urethane — Green) |
| 0537160010890 | No-Groove (Soft Urethane — Blue) |

Conversion Kits

| Part # | Description | Part # | Description |
|--------|-----------------------|--------|-----------------------|
| 155454 | 2 Roll Conversion Kit | 155455 | 4 Roll Conversion Kit |

Quick-Change Drive Roll Carrier Kits... Save Time... Save Money!

Changing drive rolls on the older series Miller wire feeders is a snap with the quick-change drive roll carrier kits listed below. Once converted, the old routine of removing the drive rolls screw-by-screw (3-per drive roll) is history! Now, all that's required to change a drive roll is a turn of the wrist and off comes the old drive roll and on with the new! Customers will save time, money and frustration. Also, installations with both the old series feeders and our 60 and 70 Series feeders will appreciate being able to update their older equipment and standardize procedures. Kits are available for feeders manufactured prior to serial number KF876252 outlined below.

For 2 Drive Roll Feeders

- S-22A, S-22P8, S-22P12
- S-32S, S-32SL
- S-32P8, S-32P12
- S-32SC8, S-32SC12
- S-52A, S-52D, S-52E, S-52M
- D-52A, D-52D, D-52M
(Two kits required on these models)
- 50 Series style Swingarc™
- Porta-MIG
- Millermatic® 200
- Millermatic® 250 and 250MP
(Prior to serial number KF785867)

For 4 Drive Roll Feeders

- S-54A, S-54D, S-54E, S-54M
- D-54A, D-54D, D-54M
(Two kits required for Dual Feeders)

For Automatic Wire Drive Assemblies

- A1-2, A1D-2
- A2-2L, A2-2H
- A1-4, A1D-4
- A2-4L, A2-4H



2 Roll Conversion Kit
155454



4 Roll Conversion Kit
155455

SUBMERGED ARC

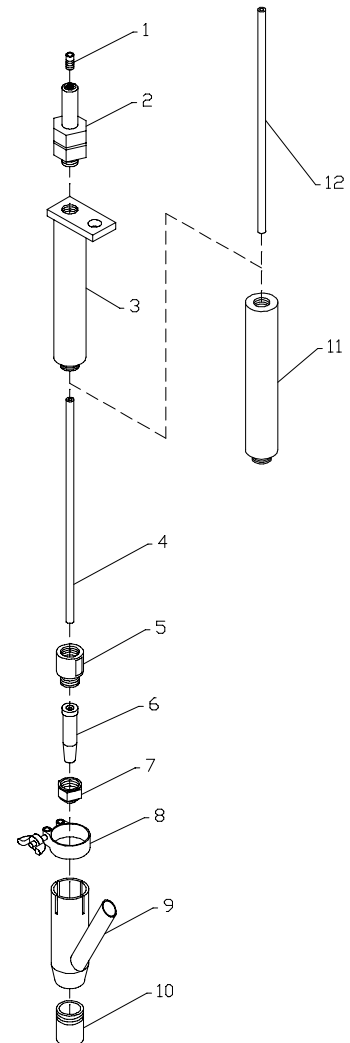
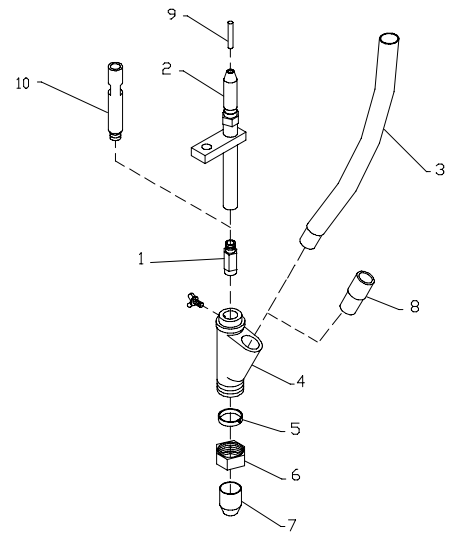
OBT-600 Consumables

| Item # | Part # | Description |
|--------|---------------------|---|
| | 043923 | 600 Amp Torch for 3/32–3/16 in. (1.6–4.8 mm) wires |
| 1 | 192700 ² | Tip, contact 1/16 in. (1.6 mm) |
| 1 | 192701 ² | Tip, contact 5/64 in. (2.0 mm) |
| 1 | 192702 ² | Tip, contact 3/32 in. (2.4 mm) |
| 1 | 192703 ² | Tip, contact 7/64 in. (2.8 mm) |
| 1 | 192704 ² | Tip, contact 1/8 in. (3.2 mm) |
| 1 | 192705 ² | Tip, contact 5/32 in. (4.0 mm) |
| 2 | 192692 | Torch body |
| 3 | 192694 | Hose, flux with insulator |
| 4 | 192693 | Cone assembly, body |
| 5 | 192695 | Ferrule, locking |
| 6 | 192697 | Nut, retaining |
| 7 | 192696 | Cone, flux |
| 8 | 200566 | Adapter, hose |
| 9 | 193146 ¹ | Liner, wire 1/16 – 1/8 x 8.125 |
| 9 | 193145 ¹ | Liner, wire 5/32 x 8.125 |
| 10 | 043967 ² | Extension, torch body OBT–1 inch |
| 10 | 043969 ² | Extension, torch body OBT–2 inch |
| 10 | 043973 ² | Extension, torch body OBT–4 inch |
| 10 | 043975 ² | Extension, torch body OBT–6 inch |

¹Recommended spare part. ²Optional.

OBT-1200 Consumables

| Item # | Part # | Description |
|--------|---------------|--|
| | 043900 | 1200 Amp Subarc Torch 1/16–3/16 in. (1.6–4.8 mm) wire |
| 1 | 199945 | Guide, wire inlet 5/32–1/4 |
| 1 | 199946 | Guide, wire inlet 1/16–1/8 |
| 2 | 192132 | Inlet guide adapter, with breakaway feature |
| 3 | 192131 | Torch body assembly |
| 4 | 192139 | Liner, wire 1/16–1/8 in |
| 4 | 192687 | Liner, wire 5/32–3/16 in |
| 5 | 192133 | Extender, tip |
| 6 | 192141 | Tip, contact 1/16 in. (1.6 mm) |
| 6 | 199026 | Tip, contact 5/64 in. (2.0 mm) |
| 6 | 192142 | Tip, contact 3/32 in. (2.4 mm) |
| 6 | 200771 | Tip, contact 7/64 in. (2.8 mm) |
| 6 | 192143 | Tip, contact 1/8 in. (3.2 mm) |
| 6 | 192144 | Tip, contact 5/32 in. (4.0 mm) |
| 6 | 192136 | Tip, contact 3/16 in. (4.8 mm) |
| 7 | 192135 | Nut, tip |
| 8 | 192758 | Clamp, securing |
| 9 | 192137 | Nozzle assembly, flux |
| 10 | 192138 | Nozzle, flux replaceable |
| 11 | 043981 | Torch body extension 8.5 in. |
| 12 | 200749 | Liner, wire 1/16–1/8 x 36 in. |
| 12 | 200750 | Liner, wire 5/32–3/16 x 36 in. |

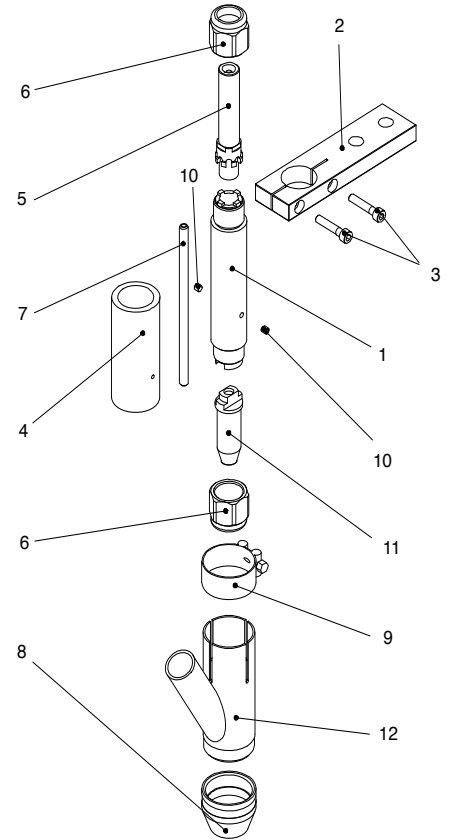




1200 Amp Single-Wire Torch

Consumables

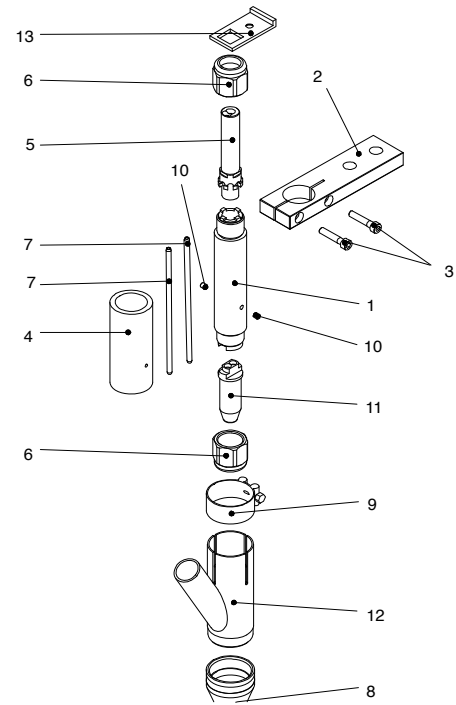
| Item # | Part # | Description |
|--------|---------------------|--|
| | 301141 | Short, 11.3 in. (288 mm) 1200 Amp torch for 1/16–5/32in. (1.6–4.0mm) wire |
| 1 | 266660 | Torch body |
| 2 | 266662 | Power source connector |
| 3 | 266665 | Screw, HSHC, M6x30 |
| 4 | 266663 | Torch body insulator |
| 5 | 266666 | Wire feeder connector |
| 6 | 264580 ¹ | Nut |
| 7 | 264581 ¹ | Wire liner, 286 mm |
| 8 | 264586 ¹ | Flux nozzle, D.26 |
| 9 | 266667 | Clamp, D.40 |
| 10 | 266668 | Nut, M5 X 5 |
| 11 | 264590 ² | Tip, contact single wire 1/16 in. (1.6 mm) CuCrZr |
| 11 | 264591 ² | Tip, contact single wire 5/64 in. (2.0 mm) CuCrZr |
| 11 | 264587 ¹ | Tip, contact single wire 3/32 in. (2.4 mm) CuCrZr |
| 11 | 264593 ² | Tip, contact single wire 1/8 in. (3.2 mm) CuCrZr |
| 11 | 264594 ² | Tip, contact single wire 5/32 in. (4.0 mm) CuCrZr |
| 12 | 264589 ¹ | Flux conveyor |



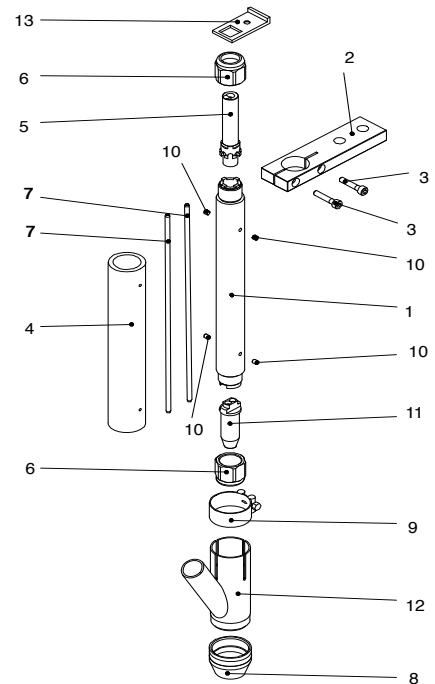
SUBMERGED ARC

1200 Amp Twin-Wire Torch

| Item # | Part # | Description |
|--------|---------------------|--|
| | 301143 | Short, 11.3 in. (288 mm) 1200 Amp torch for 3/64–3/32 in. (1.2–2.4 mm) wire |
| 1 | 266660 | Torch Body |
| 2 | 266662 | Power Source Connector |
| 3 | 266665 | Screw, HSHC, M6 X 30 |
| 4 | 266663 | Torch Body Insulator |
| 5 | 266669 | Wire Feeder Connector |
| 6 | 264580 ¹ | Nut |
| 7 | 264584 ¹ | Wire Liner, D. 5 X 3 146 mm |
| 8 | 264586 ¹ | Flux Nozzle, D.26 |
| 9 | 266667 | Clamp, D.40 |
| 10 | 266668 ¹ | Nut, M5 X 5 |
| 11 | 264595 ² | Tip, Contact Twin Wire 3/64 in. (1.2 mm) CuCrZr |
| 11 | 264596 ² | Tip, Contact Twin Wire 1/16 in. (1.6 mm) CuCrZr |
| 11 | 264597 ² | Tip, Contact Twin Wire 5/64 in. (2.0 mm) CuCrZr |
| 11 | 264588 ¹ | Tip, Contact Twin Wire 3/32 in. (2.4 mm) CuCrZr |
| 12 | 264589 ¹ | Flux Conveyor |
| 13 | 266670 | Alignment Plate |



| Item # | Part # | Description |
|--------|---------------------|---|
| | 301444 | Long, 16.8 in. (427 mm) 1200 Amp torch for 3/64–3/32 in. (1.2–2.4 mm) wire |
| 1 | 266661 | Torch Body |
| 2 | 266662 | Power Source Connector |
| 3 | 266665 | Screw, HSHC, M6 X 30 |
| 4 | 266664 | Torch Body Insulator |
| 5 | 266669 | Wire Feeder Connector |
| 6 | 264580 ¹ | Nut |
| 7 | 264585 ¹ | Wire Liner, D. 5 X 3 287 mm |
| 8 | 264586 ¹ | Flux Nozzle, D.26 |
| 9 | 266667 | Clamp, D.40 |
| 10 | 266668 | Nut, M5 X 5 |
| 11 | 264595 ² | Tip, Contact Twin Wire 3/64 in. (1.2 mm) CuCrZr |
| 11 | 264596 ² | Tip, Contact Twin Wire 1/16 in. (1.6 mm) CuCrZr |
| 11 | 264597 ² | Tip, Contact Twin Wire 5/64 in. (2.0 mm) CuCrZr |
| 11 | 264588 ¹ | Tip, Contact Twin Wire 3/32 in. (2.4 mm) CuCrZr |
| 12 | 264589 ¹ | Flux Conveyor |
| 13 | 266670 | Alignment Plate |



¹Recommended spare part. ²Optional.



Spectrum® Plasma Torch History

| Model | Machine Stock # | Original Torch | Recommended Replacement |
|------------------------|-------------------|----------------|---|
| Spectrum® 125C | 907149, 907169 | ICE-12C, pg 62 | ICE-12C, 20 ft (6.1 m) Hand-Held 195172, pg 62 |
| Spectrum® 300 | 903479, 903787 | ICE-25C, pg 62 | ICE-25CX, 20 ft (6.1 m) Hand-Held 195007, pg 62 |
| Spectrum® 375 | 903891, 903871 CE | ICE-27C, pg 62 | XT30C, 20 ft (6.1 m) Hand-Held 255685, pg 59 |
| | 907532 | XT-30C, pg 59 | XT30C, 20 ft (6.1 m) Hand-Held 255685, pg 59 |
| Spectrum® 375 X-TREME™ | 907339, 907303 | ICE-27T, pg 62 | XT30, 12 ft (3.7 m) Hand-Held 249949, pg 59 |
| | 907529 | XT30, pg 59 | XT30, 12 ft (3.7 m) Hand-Held 249949, pg 59 |
| Spectrum® 500 | 903143, 903144, | APT-5000 | ICE-50, 30 ft (9 m) Hand-Held 169199 ¹ , pg 66 |
| | 903145, 903146, | | ICE-50, 50 ft (15.2 m) Hand-Held 169244 ¹ , pg 66 (N/A) |
| | 903187, 903201 | | |
| Spectrum® 625 | 907058, | ICE-40C, pg 63 | ICE-40C, 25 ft (7.6 m) Hand-Held 195110, pg 63 |
| | 907058011 | | ICE-40C, 50 ft (15.2 m) Hand-Held 195111, pg 63 |
| Spectrum® 625 X-TREME | 907404, 907404011 | ICE-40T, pg 63 | XT-40, 12 ft (3.7 m) Hand-Held 249951, pg 60 |
| | 9074041012 | | XT40, 20 ft (6.1 m) Hand-Held 249952, pg 60 |
| | 907531, | XT40, pg 60 | XT40, 12 ft (3.7 m) Hand-Held 249951, pg 60 |
| | 907531001 | | XT40, 20 ft (6.1 m) Hand-Held 249952, pg 60 |
| Spectrum® 625 X-TREME | 907579 | XT40 w/Connect | XT40, 12 ft (3.7 m) Hand-Held W/ Disconnect 260633, pg 60 |
| | 907579001 | | XT40, 20 ft (6.1 m) Hand-Held W/ Disconnect 260635, pg 60 |
| | 907579002 | | XT40M Machine Long Body 25 ft (7.6 m) 259305, pg 60 |
| | 9079003 | | XT40M Machine Torch Short Body 25 ft (7.6 m) 257462, pg 60 |
| Spectrum® 650 | 903788, 903790 | ICE-50C, pg 64 | ICE-50C, 25 ft (7.6 m) Hand-Held 176824, pg 64 |
| | | | ICE-50C, 50 ft (15.2 m) Hand-Held 176826, pg 64 |
| | | | ICE-50CM, 50 ft (15.2 m) Machine-Held 176828, pg 64 |
| | | | Note: ICE-55C Not Recommended |
| Spectrum® 700 | 903444, 903445 | ICE-50, pg 66 | ICE-50, 30 ft (9 m) Hand-Held 169199, pg 66 |
| | 903446, 903447 | | ICE-50, 50 ft (15.2 m) Hand-Held 169244, pg 66 (N/A) |
| | | | ICE-70 with 50 Amp Tip, 30 ft (9 m) Hand-Held 169203, pg 66 ICE-70 with 50 Amp Tip, 50 ft (15.2 m) Hand-Held 169245, pg 66 |
| Spectrum® 701 | 950468, 950471 | ICE-50C, pg 64 | ICE-50C, 25 ft (7.6 m) Hand-Held 176824, pg 64 |
| | 950469, 950472 | | ICE-50C, 50 ft (15.2 m) Hand-Held 176826, pg 64 |
| | 950470, 950473 | | ICE-50CM, 50 ft (15.2 m) Machine-Held 176828, pg 64 |
| | | | Note: ICE-55C Not Recommended. |
| Spectrum® 750 | 903193, 903194, | APT-7000 | ICE-70, 30 ft (9 m) Hand-Held 169203 ² , pg 66 |
| | 903195 | | ICE-70, 50 ft (15.2 m) Hand-Held 169245 ² , pg 66 |
| | | | ICE-100 with 70 Amp Tip, 30 ft (9 m) Hand-Held 169207 ² , pg 66 |
| Spectrum® 875 | 907390011 | ICE-60T, pg 67 | ICE-60T, 20 ft (7.6 m) Hand-Held 234132, pg 67 |
| | 907390012 | | ICE-60T, 50 ft (15.2 m) Hand-Held 234134, pg 67 |
| | | | XT60, 20 ft Hand-Held Torch 249953, pg 61 |
| | | | XT60, 50 ft Hand-Held Torch 249954, pg 61 |
| | | | XT60M 25 ft (7.6 m) Machine Torch Long Body 249955, pg 61 |
| | | | XT60M 50 ft (15.2 m) Machine Torch Long Body 249956, pg 61 |
| | | | XT60M 25 ft (7.6 m) Machine Torch Short Body 257464, pg 61 XT60M 50 ft (15.2 m) Machine Torch Short Body 263952, pg 61 |
| Spectrum® 875 | 907583 | XT60, pg 61 | XT60 20 ft (7.6 m) Hand-Held 249953, pg 61 |
| | 907583001 | | XT60 50 ft (15.2 m) Hand-Held 249954, pg 61 |
| | 907583002 | | XT60M 25 ft (7.6 m) Machine Torch Long Body 249955, pg 61 |
| | 907583003 | | XT60M 50 ft (15.2 m) Machine Torch Long Body 249956, pg 61 XT60M 25 ft (7.6 m) Machine Torch Short Body 257464, pg 61 |

¹Requires Retrofit Kit 172155 ²Requires Retrofit Kit 172156 (N/A) ³Requires Remote Pendant Control 180605

⁴Requires Remote Pendant Control 195513 ⁵Requires Retrofit Kit 172157

Please order replacement torches through Miller Service Parts. Telephone: 1-866-931-9730 Fax: 1-800-637-2315

More Torch models continued on next page

Spectrum® Plasma Torch History Continued

| | | | | | | | | | | | | | |
|-----------------------------------|----------------------|--|---|-----------------------------------|--------|--------------------|---------------|--------------------------|--------|--------------------------|--------|--------------------------|--------|
| Spectrum® 875 Auto-Line | 907396 | | XT60M, 20 ft (7.6 m) Hand-Held 249953, pg 61 | | | | | | | | | | |
| | 907396001 | | XT60, 50 ft (15.2 m) Hand-Held 249954, pg 61 | | | | | | | | | | |
| | 907396002 | | ICE-60TM, 25 ft (7.6 m) Machine-Held Torch with Pendant 300759, pg 67 | | | | | | | | | | |
| | 907396003 | | Kit, ICE-60TM, Machine Torch 50 ft 300760 | | | | | | | | | | |
| Spectrum® 875 Auto-Line | 907584 | | XT60, 20 ft (7.6 m) Hand-Held 249953, pg 61 | | | | | | | | | | |
| | 907584001 | | XT60, 50 ft (15.2 m) Hand-Held 249954, pg 61 | | | | | | | | | | |
| | 907584002 | | XT60M, 25 ft (7.6 m) Machine Torch Long Body 249955, pg 61 | | | | | | | | | | |
| | 907584003 | | XT60M, 25 ft (7.6 m) Machine Torch Short Body 257464, pg 61 | | | | | | | | | | |
| | 907584004 | | XT60M, 50 ft (15.2 m) Machine Torch Short Body 263952, pg 61 | | | | | | | | | | |
| | 907584005 | | XT60M, 50 ft (15.2 m) Machine Torch Long Body 249956, pg 61 | | | | | | | | | | |
| Spectrum® 1000 | 903448, 903449 | ICE-70, pg 66 | ICE-70, 30 ft (9 m) Hand-Held 169203, pg 66 | | | | | | | | | | |
| | 903448011 | | ICE-70, 50 ft (15.2 m) Hand-Held 169245, pg 66 | | | | | | | | | | |
| | | | ICE-100 with 70 Amp Tip, 30 ft (9 m) Hand-Held 169207, pg 66 | | | | | | | | | | |
| | | | ICE-100 with 70 Amp Tip, 50 ft (15.2 m) Hand-Held 169246, pg 66 | | | | | | | | | | |
| | 907162 | ICE-80T, pg 70 | ICE-80T, 25 ft (7.6 m) Hand-Held 195223, pg 70 | | | | | | | | | | |
| | | ICE-80T, 50 ft (15.2 m) Hand-Held 195225, pg 70 | | | | | | | | | | | |
| | | ICE-80TM, 25 ft (7.6 m) Machine-Held 195221, pg 71, No Pendant ⁴ | | | | | | | | | | | |
| | | ICE-80TM, 50 ft (15.2 m) Machine-Held 223535, pg 71, No Pendant ⁴ | | | | | | | | | | | |
| Spectrum® 1250 | 903450, 903451, | ICE-100, pg 68 | ICE-100, 30 ft (9 m) Hand-Held 169207, pg 66 | | | | | | | | | | |
| | 903452 | | ICE-100, 50 ft (15.2 m) Hand-Held 169246, pg 66 | | | | | | | | | | |
| | | | ICE-100M, 50 ft (15.2 m) Machine-Held 169247, (N/A) | | | | | | | | | | |
| Spectrum® 1251 | 907305011 | ICE-100T, pg 72 | ICE-100T, 25 ft (7.6 m) Hand-Held 225702, pg 72 | | | | | | | | | | |
| | 907305012 | | ICE-100T, 50 ft (15.2 m) Hand-Held 225704, pg 72 | | | | | | | | | | |
| | 907305013 | | ICE-100TM, 25 ft (7.6 m) Machine-Held 225706 ⁴ , pg 72 | | | | | | | | | | |
| | 907305014 | | ICE-100TM w/Pendant, 25 ft (7.6 m) Machine-Held 226057 ⁴ , pg 72 | | | | | | | | | | |
| | | | ICE-100TM, 50 ft (15.2 m) Machine-Held 225708 ⁴ , pg 72 | | | | | | | | | | |
| | | ICE-100TM, 50 ft (15.2 m) Machine-Held 226058 ⁴ , pg 72 | | | | | | | | | | | |
| Spectrum® 1500 | 903147, 903148, | APT-8000 | ICE-70, 30 ft (9 m) Hand-Held 169203 ⁵ , pg 66 | | | | | | | | | | |
| | 903186, 903149 | | ICE-70, 50 ft (15.2 m) Hand-Held 169245 ⁵ , pg 66 | | | | | | | | | | |
| | | | ICE-100 with 70 Amp Tip, 30 ft (9 m) Hand-Held 169207 ⁵ , pg 66 | | | | | | | | | | |
| Spectrum® 1500D | 907305 | APT-8000 | ICE-70, 30 ft (9 m) Hand-Held 169203, pg 66 | | | | | | | | | | |
| | | | ICE-70, 50 ft (15.2 m) Hand-Held 169245, pg 66 | | | | | | | | | | |
| | | | ICE-100 with 70 Amp Tip, 30 ft (9 m) Hand-Held 169207, pg 66 | | | | | | | | | | |
| Spectrum® 2050 | 903789 | ICE-50C, pg 64 | ICE-50C, 25 ft (7.6 m) Hand-Held 176824, pg 64 | | | | | | | | | | |
| | | | ICE-50C, 50 ft (15.2 m) Hand-Held 176826, pg 64 | | | | | | | | | | |
| Spectrum® 2050 | 903777012 | ICE-55C, pg 65 | ICE-55C, 25 ft (7.6 m) Hand-Held 193347, pg 65 | | | | | | | | | | |
| | 903777013 | | ICE-55C, 50 ft (15.2 m) Hand-Held 193348, pg 65 | | | | | | | | | | |
| | 903777022 | | ICE-55CM, 50 ft (15.2 m) Machine-Held 193349, pg 65, No Pendant | | | | | | | | | | |
| Spectrum® 2255 | 903755 | | ICE-80CX, 25 ft (7.6 m) Hand-Held 216300, pg 70 | | | | | | | | | | |
| Spectrum® 3080 | 903793012, 903795011 | ICE-80C, pg 69 | ICE-80CX, 25 ft (7.6 m) Hand-Held 216300, pg 70 | | | | | | | | | | |
| | 903793013, 903795012 | | ICE-80CX, 50 ft (15.2 m) Hand-Held 218044, pg 70 | | | | | | | | | | |
| | 903793021, 903795021 | | ICE-80CXM, 50 ft (15.2 m) Machine-Held 219944, pg 71 | | | | | | | | | | |
| Spectrum®LYNX | 903552, 950611 | ICE-50C, pg 64 | ICE-50C, 25 ft (7.6 m) Hand-Held 176824, pg 64 | | | | | | | | | | |
| | | | ICE-50C, 50 ft (15.2 m) Hand-Held 176826, pg 64 | | | | | | | | | | |
| | | | Note: ICE-55C Not Recommended | | | | | | | | | | |
| Spectrum® Thunder | 903741, 903742 | ICE-12C, pg 62 | ICE-12C, 20 ft (6.1 m) Hand-Held (kit) 216407, pg 62 | | | | | | | | | | |
| | | | <table border="1"> <tbody> <tr> <td>Leather Torch Cable Covers</td> <td>239642</td> </tr> <tr> <td>Description</td> <td>Part #</td> </tr> <tr> <td>20 ft Cable Cover</td> <td>239642</td> </tr> <tr> <td>25 ft Cable Cover</td> <td>231867</td> </tr> <tr> <td>50 ft Cable Cover</td> <td>231868</td> </tr> </tbody> </table> | Leather Torch Cable Covers | 239642 | Description | Part # | 20 ft Cable Cover | 239642 | 25 ft Cable Cover | 231867 | 50 ft Cable Cover | 231868 |
| Leather Torch Cable Covers | 239642 | | | | | | | | | | | | |
| Description | Part # | | | | | | | | | | | | |
| 20 ft Cable Cover | 239642 | | | | | | | | | | | | |
| 25 ft Cable Cover | 231867 | | | | | | | | | | | | |
| 50 ft Cable Cover | 231868 | | | | | | | | | | | | |

¹Requires Retrofit Kit 172155 N/A ²Requires Retrofit Kit 172156 (N/A) ³Requires Remote Pendant Control 180605

⁴Requires Remote Pendant Control 195513 ⁵Requires Retrofit Kit 172157 (N/A).

Please order replacement torches through Miller Service Parts. Telephone: 1-866-931-9730 Fax: 1-800-637-2315



AirForce™ and Cybercut (Hobart) Plasma Torch History

| Model | Machine Stock # | Original Torch | Recommended Replacement |
|-----------------|-----------------|----------------|---|
| AirForce™ 250 | 500436 | ICE-12C, pg 62 | ICE-12C, 20 ft (6.1 m) Hand-Held 216407, pg 62 |
| AirForce™ 250A | 500437 | ICE-12C, pg 62 | ICE-12C, 20 ft (6.1 m) Hand-Held 216407, pg 62 |
| AirForce™ 250CI | 500534 | HP-25, pg 73 | HP-25, 16 ft (5 m) Hand-Held 232647, pg 73 |
| AirForce™ 12CI | 500564 | XT12R, pg 58 | XT-12R, 12 ft (3.6 m) Hand-Held 268919, pg 58 |
| AirForce™ 375 | 500453 | ICE-25C, pg 62 | ICE-25CX, 20 ft (6.1 m) Hand-Held 195007, pg 62 |
| AirForce™ 400 | 500474 | ICE-27C, pg 62 | XT-30C, 20 ft (6.1 m) Hand-Held 255685, pg 59 |
| AirForce™ 500i | 500548 | HP-50, pg 73 | HP-50, 16 ft (5 m) Hand-Held 244121, pg 73 |
| AirForce™ 271 | 500565 | XT30R, pg 59 | XT-30R, 12 ft (3.6 m) Hand-Held 268921, pg 59 |
| AirForce™ 625 | 500493 | ICE-40C, pg 63 | ICE-40C, 25 ft (7.6 m) Hand-Held 195110, pg 63 |
| | 500494 | | ICE-40C, 50 ft (15.2 m) Hand-Held 195111, pg 63 |
| AirForce™ 700i | 500546 | HP-70, pg 73 | HP-70, 16 ft (5 m) Hand-Held 244122, pg 73 |
| AirForce™ 40I | 500566 | XT40R, pg 63 | XT-40R, 12 FT (3.6 m) Hand-Held 268923, pg 60 |
| AirForce™ 750 | 500455 | ICE-50C, pg 64 | ICE-50C, 25 ft (7.6 m) Hand-Held 17 824, pg 64 |
| Cybercut 1025 | 903665 | ICE-25C, pg 62 | ICE-25CX, 20 ft (6.1 m) Hand-Held 195007, pg 62 |
| Cybercut 2050 | 950674 | ICE-50C, pg 64 | ICE-50C, 25 ft (7.6 m) Hand-Held 176824, pg 64 |
| | 950673, 950681 | | |

Please order replacement torches through Miller Service Parts. Telephone: 1-866-931-9730 Fax: 1-800-637-2315

PLASMA CUTTING

XT12R

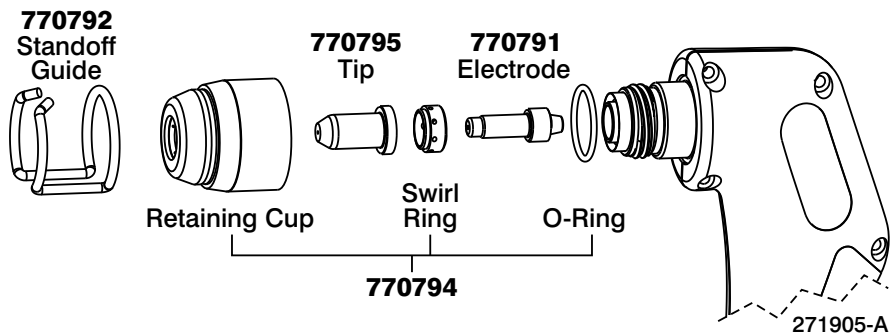
Service Parts/Consumables

| Item # | Part # | Description | Quantity |
|--------------------|---------------|---|----------|
| | 268919 | XT12R, 12 ft Hand-Held Torch (replacement) | 1 |
| 1 | 268929 | Torch Handle Kit | 1 |
| 2 | 249971 | Torch Trigger | 1 |
| 3 | 252938 | Torch Body w/Cup Switch | 1 |
| 4 | 249972 | Torch Trigger Assembly w/Spring | 1 |
| Consumables | | | |
| | 252951 | Grease, Silicone | |
| | 770795 | Tip | |
| | 770791 | Electrode | |
| | 770794 | Retaining Cup, Swirl Ring, & O-Ring | |
| | 770792 | Stand-off Guide | |



XT12R

Consumables for XT12R





XT30, XT30C & XT30R Service Parts/Consumables

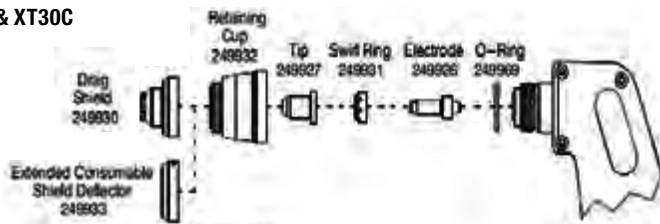
| Item # | Part # | Description | Quantity |
|---------------------------------------|--------|--|----------|
| | 268919 | XT30, 12 ft Hand-Held Torch (replacement) | 1 |
| | 255685 | XT30C, 20 ft Hand-Held Torch (replacement) | 1 |
| | 268920 | XT30R, 12 ft Hand-Held Torch (replacement) | |
| 1 | 268929 | Torch Handle Kit | 1 |
| 1 | 259870 | Torch Handle Kit | |
| 2 | 249971 | Torch Trigger | 1 |
| 3 | N/A | Leads XT30R, no replacement leads | |
| 3 | 249957 | Leads, XT30 12ft | |
| 3 | 255686 | Leads, XT30C 20 ft Hand Held Torch | |
| 4 | 252938 | Torch Body w/Cup Switch for XT30R | 1 |
| 4 | 252238 | Torch Body w/Cup Switch for XT30 and XT30C | |
| 5 | 249972 | Torch Trigger Assembly w/Spring | 1 |
| | 249973 | Cup Detect Switch w/Screws | |
| Consumables for XT30 and XT30C | | | |
| | 249930 | Drag Shield | 1 |
| | 249933 | Shield Deflector | 1 |
| | 249932 | Retaining Cup | 1 |
| | 249927 | Tip | 3 |
| | 249931 | Swirl Ring | 1 |
| | 249926 | Electrode | 3 |
| | 249969 | O-Ring | 3 |
| | 253054 | Stand-Off Guide | |
| | 243055 | Circle Cutting Guide | |
| | 253520 | Consumables Kit XT30 | |



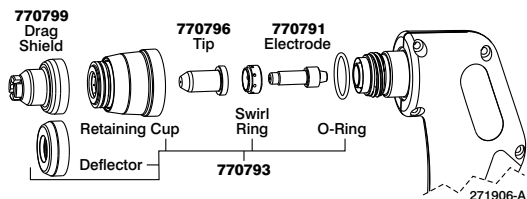
XT30, XT30C & XT30R Torch

XT30 & XT30C Consumables Kit Includes - v(1) O-ring 249969, (5) Electrode 249926, (5) Tip 249927, (1) Swirl Ring 249931, (1) Retaining Cup 249932, (1) Silicone Grease 252951, (1) Plastic Box 127493

Consumables for XT30 & XT30C



Consumables for XT30R



PLASMA CUTTING

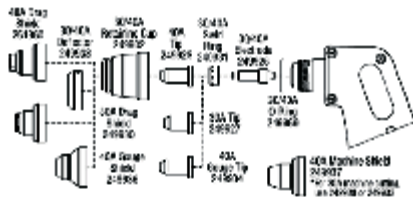
XT40, XT40R & XT40M

Service Parts/Consumables

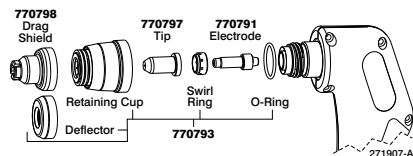
| Item # | Part # | Description | Quantity |
|--------|--------|--|----------|
| | 249951 | XT40, 12 ft Hand Held Torch | |
| | 249952 | XT40, 20 ft Hand-Held Torch | |
| | 260633 | XT40, 12 ft Hand-Held Torch w/Disconnect | |
| | 260635 | XT40, 20 ft Hand-Held Torch w/Disconnect | |
| | 268923 | XT40R, 12 ft Hand-Held Torch (Replacement) | |
| 1 | 259870 | Torch Handle Kit w/Screws | 1 |
| 2 | 249971 | Torch Trigger (Microswitch) | 1 |
| 3 | 249959 | Leads, XT40 12 ft Hand-Held Torch | 1 |
| 3 | 249960 | Leads, XT40 20 ft Hand-Held Torch | 1 |
| 3 | 260637 | Leads, XT40 12 ft Hand-Held Torch w/Disconnect | 1 |
| 3 | 260638 | Leads, XT40 20 ft Hand-Held Torch w/Disconnect | 1 |
| 3 | N/A | XT40R, No Replacement Leads | |
| 4 | 252938 | Torch Body Kit for XT40 and XT40R | 1 |
| 4 | 252238 | Torch Body Kit for XT40 | |
| 5 | 249972 | Torch Trigger Assembly w/Spring | 1 |
| 6 | 249973 | Cup Detect Switch w/Screws | |
| | 259305 | XT40M, 25 ft Long Body Machine Torch w/Disconnect | |
| | 257462 | XT40M, 25 ft Short Body Machine Torch w/Disconnect | |
| 1 | 259363 | Mounting Screw for Machine Torch Body | 3 |
| 2 | 259361 | Mounting Sleeve for Machine Torch | 1 |
| 3 | 259333 | Kit, Torch Body w/Switch | 1 |
| 4 | 263389 | Positioning Sleeve Short Body | 1 |
| 5 | 259357 | Positioning Sleeve Long Body | 1 |
| 6 | 259359 | Stain Relief | 1 |
| 7 | 259330 | Leads, XT40M 25 ft Machine Torch | 1 |
| | 253521 | Consumables Kit XT40 ¹ | |

¹Consumables Kit XT40 253521-includes (5) Electrode 249926, (5) Tips 40_A 249928, (3) Tips 30A 249927(1) o-ring 249969, (1) Swirl ring 249931, (1) Retaining Cup 249932, (1) Gouge Tip 249936, (1) Gouge Shield 249936, (2) Drag Shield 30A 249930, (1) Drag Shield 40A 251960, (1) Deflector Shield 249933, (1) Silicone Grease 252951, (1) Plastic Box 127493

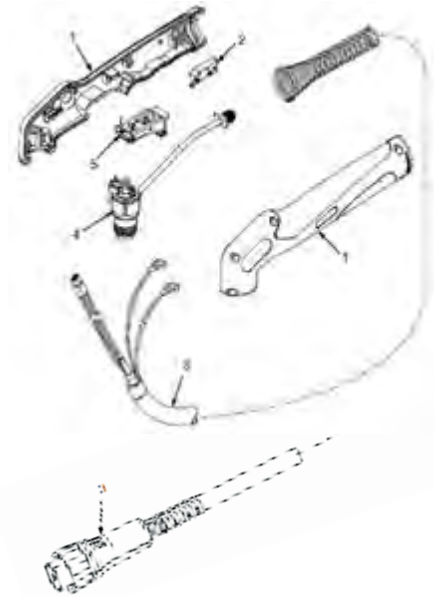
Consumables for XT40



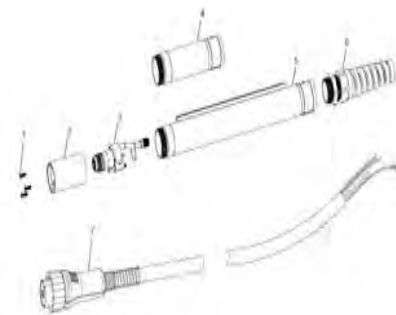
Consumables for XT40R



XT40 & XT40 with Disconnect



XT40TM Torch Long & Short



263310
Shield Sense

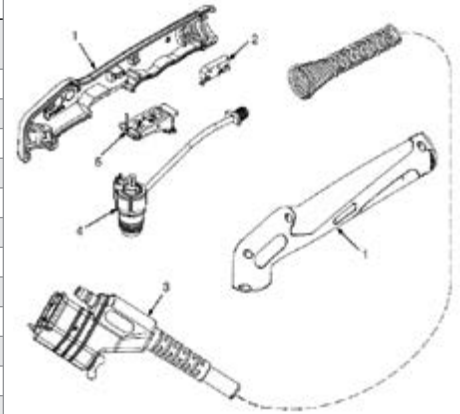
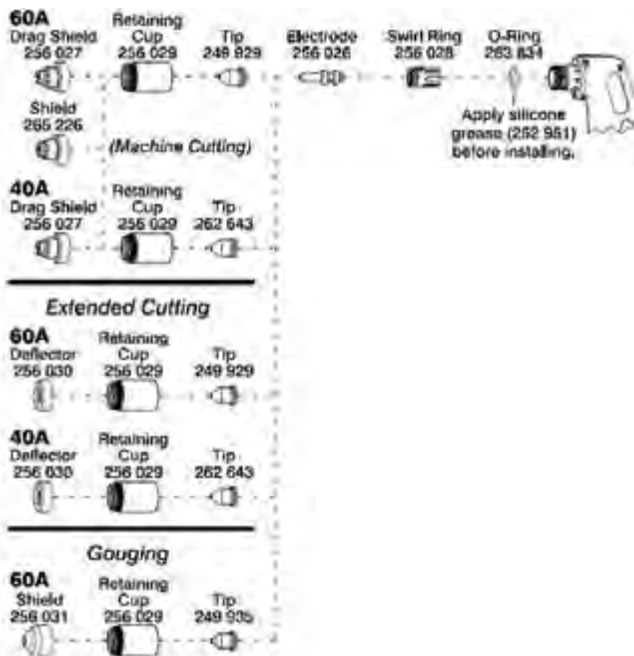


XT60 & XT60M Service Parts/Consumables

| Item # | Part # | Description | Quantity |
|--------|--------|---|----------|
| | 249953 | XT60, 20 ft Hand Held Replacement Torch | |
| | 249954 | XT60, 50 ft Hand Held Replacement Torch | |
| 1 | 263950 | Torch Handle Kit w/Screws | 1 |
| 2 | 249971 | Torch Trigger (Microswitch) | 1 |
| 3 | 249961 | Leads, XT60 20 ft Hand-Held Replacement Torch | 1 |
| 3 | 249962 | Leads, XT60 50 ft Hand-Held Replacement Torch | 1 |
| 4 | 256039 | Torch Body Kit w/Switch | 1 |
| 5 | 249972 | Torch Trigger Assembly w/Spring | 1 |
| 6 | 249973 | Cup Detect Switch w/Screws | 1 |
| | | XT60M Machine Torches | |
| | 249955 | XT60M, 25 ft Long Body Machine Torch | |
| | 249956 | XT60M, 50 ft Long Body Machine Torch | |
| | 257464 | XT60M, 25 ft Short Body Machine Torch | |
| | 263952 | XT60M, 50 ft Short Body Machine Torch | |
| 1 | 259357 | Long Body Positioning Sleeve | 1 |
| 2 | 263389 | Short Body Positioning Sleeve | 1 |
| 3 | 249963 | XT60M Lead, w/QD 25 ft | 1 |
| 3 | 249964 | XT60M Lead, w/QD 50 ft | 1 |
| 4 | 259361 | Torch Sleeve | 1 |
| 5 | 256040 | Main Body w/Switch | 1 |
| 6 | 259334 | Cup Detect Switch | 1 |
| 7 | 243754 | Kit, XT60M QD w/Wing Head Fastener | 1 |
| | 252951 | Grease, silicone | 1 |
| | 256033 | Consumable Kit, XT50 ¹ | |
| | 253054 | Stand-off Roller Guide | 1 |
| | 253055 | Circle Cutting Guide | 1 |

¹XT60 Consumable kit Includes, (3) Electrodes 256026, (3) Tip XT60 249929, (1) Drag Shield 256027, (1) Swirl Ring 256028, (1) Retaining Cup 256029, (1) Deflector Shield 256030, (1) Gouge Tip 2499935, (1) O-ring 263834, (1) Grease, Silicone 252951, (1) Plastic Box 127493

Consumables for XT60 & XT60M



XT60 Torch



XT60M Torch



263310
Shield Sense

PLASMA CUTTING

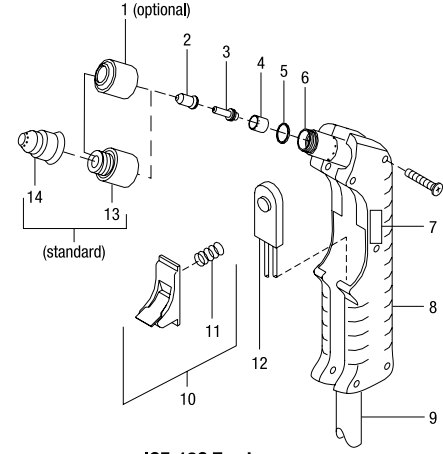
ICE-12C

Service Parts/Consumables

| Item # | Part # | Description | Quantity |
|--------|---------------------|---|---------------|
| | 216407 | ICE-12C Replacement Torch w/Brass Elbow | 1 |
| | 195172 | ICE-12C, 20 ft Torch | 1 |
| | | Consumables | |
| 1 | 196928 | Cup, Shield (optional) | 1 |
| 2 | 196926 | Tip, 12 A | 1 (5 per pkg) |
| 3 | 196925 | Electrode, 12 A | 1 (5 per pkg) |
| 4 | 196927 | Swirl Ring, 12 A | 1 |
| 5 | 196935 | O-Ring, ICE-12C main body | 1 (3 per pkg) |
| 6 | 196932 | Main Body w/Switch | 1 |
| 7 | 196930 | Label, ICE-12C | 2 |
| 8 | 183427 | Handle Assy, complete | 1 |
| 9 | 196931 ¹ | Leads, 20 ft | 1 |
| 10 | 185833 | Switch Assembly (includes spring) | 1 |
| 11 | 190220 | Spring | 1 |
| 12 | 171248 | Push Button Switch | 1 |
| 13 | 197567 | Cup, Retaining (drag shield) | 1 |
| 14 | 196929 | Shield, Drag | 1 |
| | 252951 | Grease, Silicon | 1 |
| | 222938 ² | Consumable Kit (ICE-12C) | 1 |
| | 253054 | Stand-off Guide | 1 |
| | 253055 | Circle Cutting Guide | 1 |

¹If used with Spectrum Thunder, 216277 fitting required.

²ICE-12C Consumable Kit includes (1) drag shield 196929 (1) plastic case 127493, (1) shield cup 197567, (4) tips 196926, (4) electrodes 196925, (1) o-ring 196935, and (1) silicone grease 252951.



ICE-12C Torch

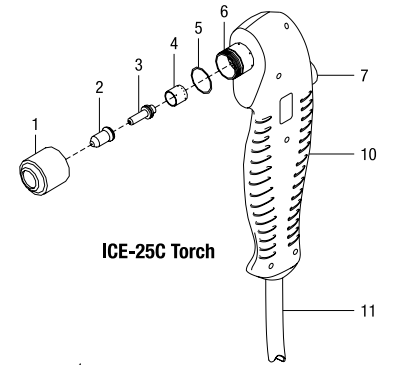
For a listing of original torch applications and replacements:

see pages 55-57

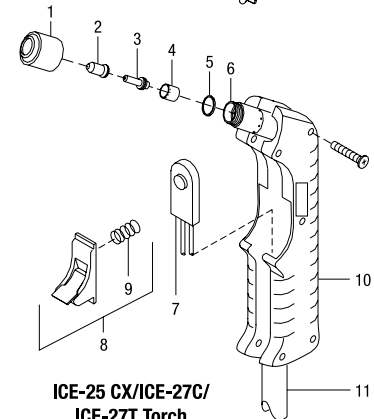
ICE-25C & 25CX/27C/27T

| Item # | Part # ICE-25C | Part # ICE-25 CX/27C/27T | Description | Quantity |
|--------|----------------|--------------------------|---|---------------|
| | — | 195007 | ICE-25CX, 20 ft Hand Held Replacement Torch | |
| | — | 195014 | ICE-27C, 20 ft Hand Held Replacement Torch | |
| | — | 225615 | ICE-27T, 12 ft Hand Held Replacement Torch | |
| 1 | 202808 | 202808 | Cup, shield | 1 |
| 2 | 176656 | 176656 | Tip, 25/27 A (Non-Shielded) | 1 (5 per pkg) |
| 3 | 176655 | 176655 | Electrode, 25/27 A | 1 (5 per pkg) |
| 4 | 202809 | 202809 | Swirl Ring, 25/27 A | 1 |
| 5 | 169232 | 169232 | O-Ring (main body) | 1 (3 per pkg) |
| 6 | 178550 | — | Main Body, ICE 25C | 1 |
| | — | 203119 | Main Body (ICE-27C/27T only) | 1 |
| 7 | 171248 | 171248 | Push Button Switch | 1 |
| 8 | — | 185833 | Switch Assembly (includes spring) | 1 |
| 9 | — | 190220 | Spring | 1 |
| 10 | 183428 | 183427 | Handle Assy, complete | 1 |
| 11 | — | 228405 | Leads, 12 ft (ICE-27T) | 1 |
| | 177893 | — | Leads, 15 ft (ICE-25C) | 1 |
| | 177894 | — | Leads, 25 ft (ICE-25C) | 1 |
| | — | 205881 (N/A) | Leads, 20 ft (ICE-25 CX) | 1 |
| | — | 203120 | Leads, 20 ft (ICE-27C) | 1 |
| | 225671 | 225671 | Tip, drag shield | 1 (5 per pkg) |
| | 225672 | 225672 | Retaining Cup, drag shield | 1 |
| | 225616 | 225616 | Drag Shield | 1 |
| | 252951 | 252951 | Grease, Silicon | 1 |
| | — | 222939 ³ | Consumable Kit (ICE-27C/27T) | 1 |
| | 253054 | 253054 | Stand-off Guide | 1 |
| | 253055 | 253055 | Circle Cutting Guide | 1 |

³ICE-27C Consumable Kit includes (1) plastic case 127493, (1) shield cups 202808, (5) tips 176656, (5) electrodes 176655, (1) swirl ring 202809, (1) o-ring 169232, and (1) silicone grease 252951.



ICE-25C Torch

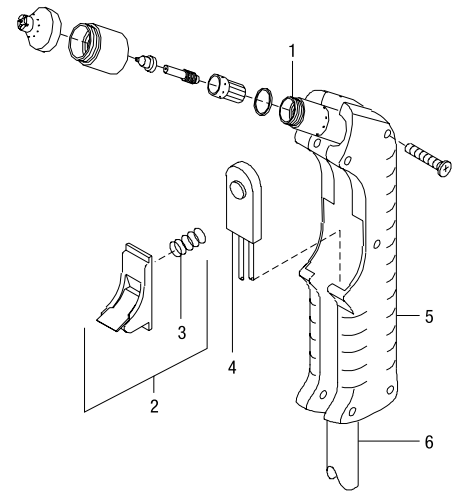


ICE-25 CX/ICE-27C/
ICE-27T Torch



ICE-40C/T Service Parts/Consumables

| Item # | Part # ICE-40C | Part # ICE-40T | Description | Quantity |
|--------------------|---------------------|---------------------|--|---------------|
| | 195110 | — | ICE-40C, 25 ft Hand Held Replacement Torch | 1 |
| | 195111 | — | ICE-40C, 50 ft Hand Held Replacement Torch | 1 |
| | — | 237502 | ICE-40T, 12 ft Hand Held Replacement Torch | 1 |
| | — | 237504 | ICE-40T, 20 ft Hand Held Replacement Torch | 1 |
| 1 | 192059 | 192059 | Main Body | 1 |
| 2 | 185833 | 185833 | Switch Assembly (includes switch) | 1 |
| 3 | 190220 | 190220 | Spring | 1 |
| 4 | 171248 | 171248 | Push Button Switch | 1 |
| 5 | 183427 | 183427 | Handle Assembly, complete | 1 |
| 6 | 209298 | 238558 | Leads, 25 ft/ Leads, 12ft | 1 |
| | 209299 | 238559 (N/A) | Leads, 50 ft | 1 |
| | 252951 | 252951 | Grease, Silicon | 1 |
| Consumables | | | | |
| 7 | 204323 | 204323 | Shield, drag | 1 |
| 8 | 192050 | 192050 | Cup, retaining | 1 |
| 9 | 204325 | 204325 | Tip, standard (40 A) | 1 (5 per pkg) |
| 10 | 192047 | 192047 | Electrode, standard | 1 (5 per pkg) |
| 11 | 192049 | 192049 | Swirl Ring | 1 |
| 12 | 169232 | 169232 | O-Ring | 1 (3 per pkg) |
| 13 | 177888 | 177888 | Deflector | 1 |
| 14 | 192052 | 192052 | Tip, extended (40 A) | 1 (5 per pkg) |
| 15 | 192048 | 192048 | Electrode, extended | 1 (5 per pkg) |
| 16 | 192203 | 192203 | Shield, gouge | 1 |
| 17 | 204332 | 204332 | Tip, gouge | 1 (5 per pkg) |
| | 222940 ¹ | 222940 ¹ | Consumable Kit (ICE-40C) | 1 |
| | 253054 | 253054 | Stand-off Guide | 1 |
| | 253055 | 253055 | Circle Cutting Guide | 1 |

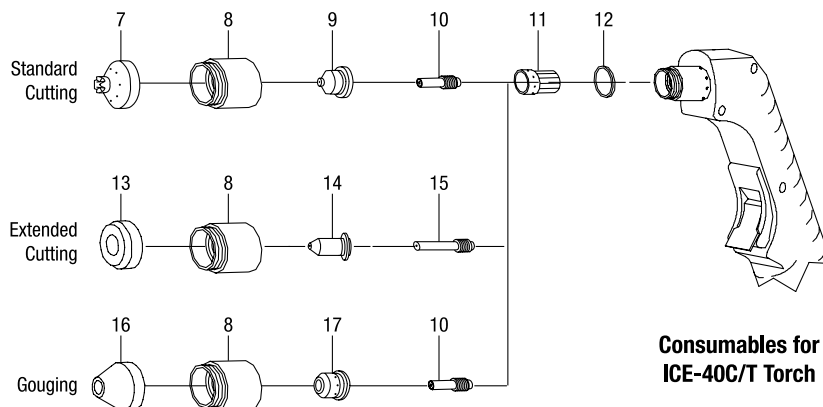


ICE-40C/T Torch

¹ICE-40C/T Consumable Kit includes (1) plastic case 127493, (3) tips 204325, (3) electrodes 192047, (1) extended tip 192052, (1) extended electrode 192048, (1) gouge shield 192203, (1) gouge tip 204332, (1) o-ring 169232, (1) silicone grease 252951, (1) swirl ring 192049 and (1) retaining cup 192050.

For a listing of original torch applications and replacements:

see pages 55-57

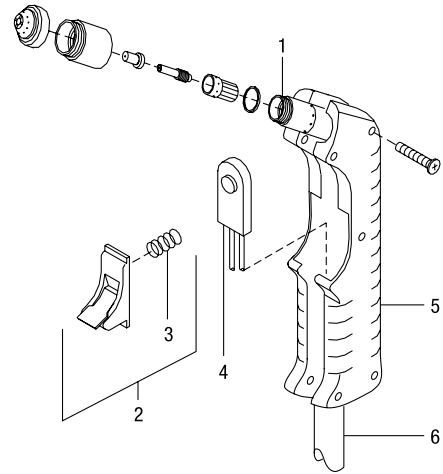


Consumables for ICE-40C/T Torch

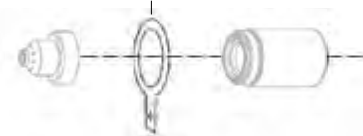
PLASMA CUTTING

ICE-50C & 50CM Service Parts/Consumables

| Item # | Part # | Description | Quantity |
|--------|---------------------|--|---------------|
| | 176824 | ICE-50C, 25 ft Hand Held Replacement Torch | 1 |
| | 176826 | ICE-50C, 50 ft Hand Held Replacement Torch | 1 |
| | 176828 (N/A) | Torch, 50 ft (ICE-50CM) N/A | |
| | | ICE-50C Torch (Hand-Held) | |
| 1 | 188794 | Main Body | 1 |
| 2 | 185833 | Switch Assembly (includes) | 1 |
| 3 | 190220 | Spring | 1 |
| 4 | 171248 | Push Button Switch | 1 |
| 5 | 183427 | Handle Assembly, complete | 1 |
| 6 | 179829 | Leads, 25 ft | 1 |
| | 179830 (N/A) | Leads, 50 ft | 1 |
| | 252951 | Grease, Silicon | 1 |
| | | Consumables | |
| 7 | 192053 | Shield, drag | 1 |
| 8 | 192050 | Cup, retaining | 1 |
| 9 | 177890 | Tip, standard | 1 (5 per pkg) |
| | 192051 ¹ | Tip, standard (ICE-55C) | 1 (5 per pkg) |
| 10 | 192047 | Electrode, standard | 1 (5 per pkg) |
| 11 | 177886 | Swirl Ring | 1 |
| | 192049 ¹ | Swirl Ring (ICE-55C) | 1 |
| 12 | 169232 | O-Ring | 1 (3 per pkg) |
| 13 | 192058 | Shield, machine | 1 |
| 14 | 177888 | Deflector | 1 |
| 15 | 177876 | Tip, extended | 1 (5 per pkg) |
| | 192056 ¹ | Tip, extended tapered 55 A (ICE-55C) | 1 (5 per pkg) |
| | 192052 ¹ | Tip, extended tapered 40 A (ICE-55C) | 1 (5 per pkg) |
| | 189407 | Tip, extended (flat) | 1 (5 per pkg) |
| 16 | 192048 | Electrode, extended | 1 (5 per pkg) |
| 17 | 192203 | Shield, gouge | 1 |
| 18 | 177878 | Tip, gouge | 1 |
| | 192204 ¹ | Tip, gouge (ICE-55C) | 1 (5 per pkg) |
| 19 | 226763 | Sense Tab | 1 |
| | 253055 | Circle Cutting Guide | 1 |



ICE-50C Torch

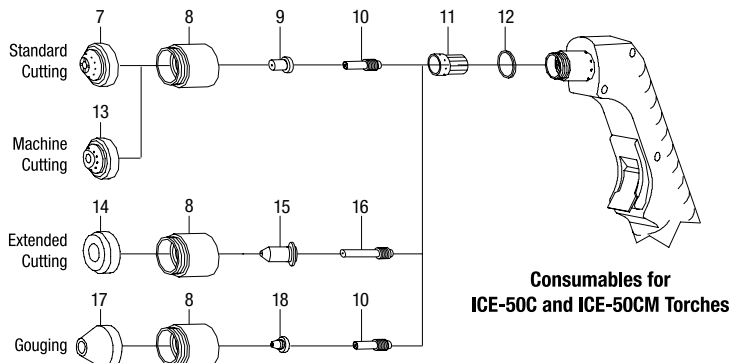


226763
Sense Tab

¹**Spectrum 2050 Enhancement** — For improved cutting performance and increased consumable life, Spectrum 2050 users are encouraged to update their existing ICE-50C Cutting Tips and Swirl Ring with the ICE-55C components. (The ICE-55C Tips must be used in conjunction with the ICE-55C Swirl Ring.)

For a listing of original torch applications and replacements:

see pages 55-57



Consumables for
ICE-50C and ICE-50CM Torches



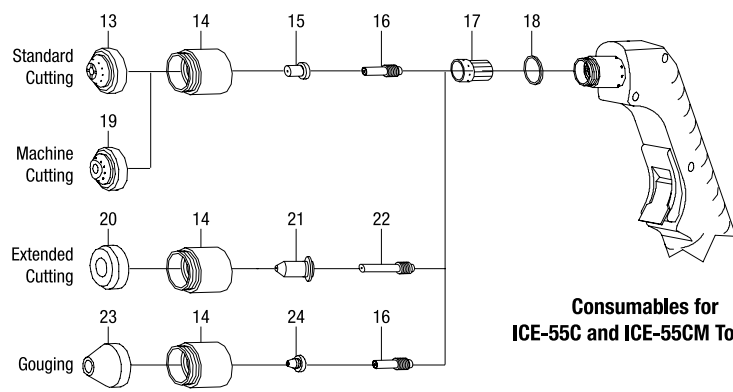
ICE-55C & 55CM Service Parts/Consumables

| Item # | Part # | Description | Quantity |
|--------|---------------------|--------------------------------------|---------------|
| | 193347 | Torch, 25 ft (ICE-55C) | 1 |
| | 193348 | Torch, 50 ft (ICE-55C) | 1 |
| | 193349 | Torch, 50 ft (ICE-55CM) | 1 |
| | | ICE-55C Torch (Hand-Held) | |
| 1 | 192059 | Main Body | 1 |
| | 202932 | Plunger Repair Kit | 1 |
| 2 | 185833 | Switch Assembly (includes) | 1 |
| 3 | 190220 | Spring | 1 |
| 4 | 171248 | Push Button Switch | 1 |
| 5 | 183427 | Handle Assy, complete | 1 |
| 6 | 192062 | Leads, 25 ft | 1 |
| | 192063 | Leads, 50 ft | 1 |
| | 252951 | Grease, Silicon | 1 |
| | | ICE-55CM Torch (Machine-Held) | |
| 7 | 198644 | Retaining Ring | 1 |
| 8 | 198643 | Torch Sleeve | 1 |
| 9 | 192060 | Main Body | 1 |
| 10 | 180610 (N/A) | Position Sleeve | 1 |
| 11 | 192061 (N/A) | Leads, 50 ft | 1 |
| 12 | 180605 | Remote Pendant Control | 1 |
| | | Consumables | |
| 13 | 192053 | Shield, drag | 1 |
| 14 | 192050 | Cup, retaining | 1 |
| 15 | 192051 | Tip, standard | 1 (5 per pkg) |
| 16 | 192047 | Electrode, standard | 1 (5 per pkg) |
| 17 | 192049 | Swirl Ring | 1 |
| 18 | 169232 | O-Ring | 1 (3 per pkg) |
| 19 | 192058 | Shield, machine | 1 |
| 20 | 177888 | Deflector | 1 |
| 21 | 192056 | Tip, extended tapered (55 A) | 1 (5 per pkg) |
| | 192052 | Tip, extended tapered (40 A) | 1 (5 per pkg) |
| 22 | 192048 | Electrode, extended | 1 (5 per pkg) |
| 23 | 192203 | Shield, gouge | 1 |
| 24 | 192204 | Tip, gouge | 1 (5 per pkg) |
| 25 | 226763 | Sense Tab | 1 |
| | 222941 ¹ | Consumable Kit (ICE-55C) | 1 |
| | 253055 | Circle Cutting Guide | 1 |

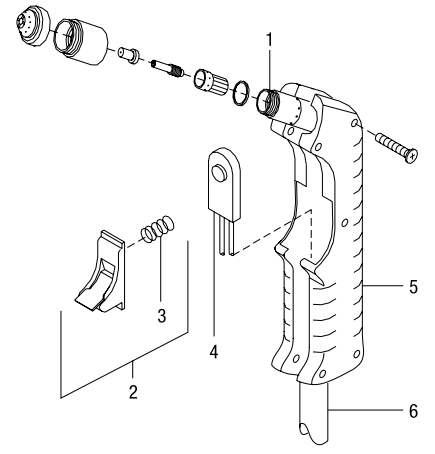
¹ICE-55C Consumable Kit includes (1) plastic case 127493, (1) drag shield 192053, (1) retaining cup 192050, (4) tips 192051, (4) electrodes 192047, (2) extended tips 192056, (2) extended electrodes 192048, (1) gouge shield 192203, (1) gouge tip 192204, (3) o-rings 169232, and (1) silicone grease 252951.

For a listing of original torch applications and replacements:

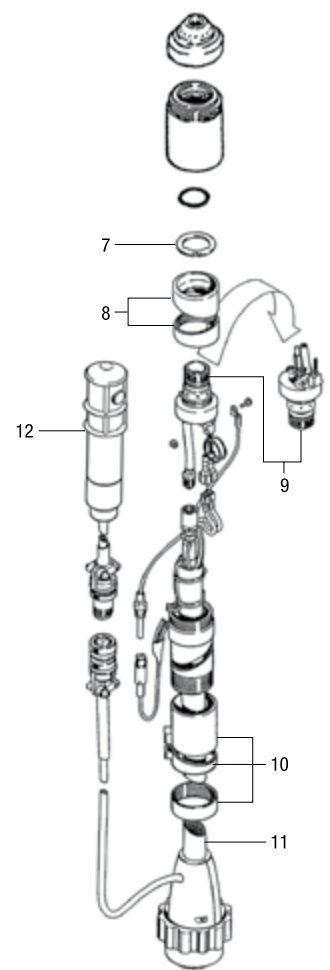
see pages 55-57



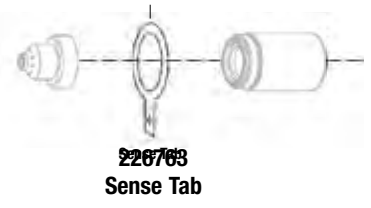
Consumables for ICE-55C and ICE-55CM Torches



ICE-55C Torch



ICE-55CM Torch



226763 Sense Tab

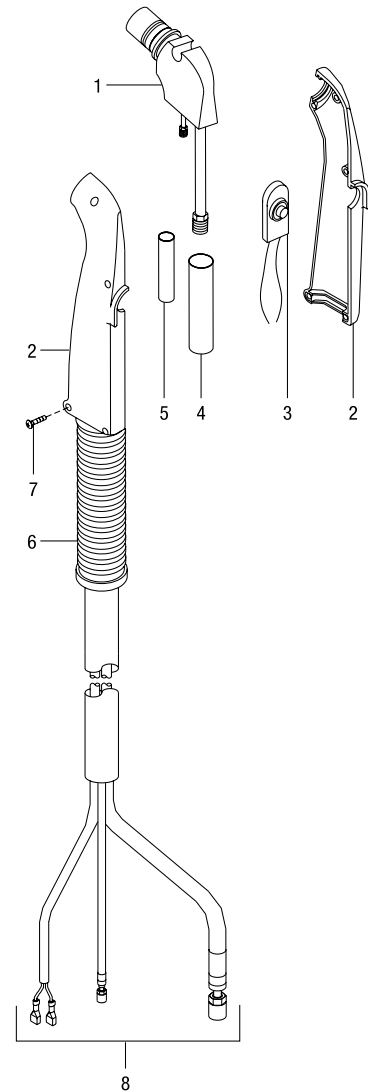
PLASMA CUTTING

ICE-50/70/100

Service Parts/Consumables

| Item # | Part # | Description | Quantity | |
|--------|---------------------|--|---------------|--------------|
| | | | ICE-50 | ICE-70 & 100 |
| | 169224 (N/A) | ICE-50, 50 ft Hand-Held Torch | 1 | — |
| | 169203 | ICE-70, 30 ft Hand-Held Torch | — | 1 |
| | 169245 | ICE-70, 50 ft Hand-Held Torch | — | 1 |
| | 169207 | ICE-100, 30 ft Hand-Held Replacement Torch | — | 1 |
| | 169246 | ICE-100 50 ft Hand-Held Replacement Torch | — | 1 |
| 1 | 171258 | Torch, Main Body | 1 | — |
| | 171257 | Torch, Main Body | — | 1 |
| 2 | 171246 | Handle | 1 | 1 |
| 3 | 171248 | Pushbutton, Switch | 1 | 1 |
| | 171255 (N/A) | Splice, 22 – 18 Butt N-insul Connector | 2 | 2 |
| 4 | 171263 | Lead Insulator, 5/8PVC 3.5 in long | 1 | — |
| | 171252 | Teflon Tube 11/16 ID x.030W x 3.5 in long | — | 1 |
| 5 | 171260 | Lead Insulator, 7/16PVC 3 in long | 1 | — |
| | 171251 | Teflon Tube 9/16 ID x.030W x 2.5 in long | — | 1 |
| 6 | 171247 | Boot | 1 | 1 |
| 7 | 171256 | Handle Screw, No. 6 x 3/4ph | 5 | 5 |
| 8 | 171264 | Leads, 30 ft | 1 | — |
| | 171253 | Leads, 30 ft | — | 1 |
| | 171265 (N/A) | Leads, 50 ft | 1 | — |
| | 171254 | Leads, 50 ft | — | 1 |
| | | Consumables | | |
| 9 | 132657 ¹ | Standoff Guide | 1 (2 per pkg) | |
| 10 | 169216 ¹ | Retaining Cup | 1 | |
| 11 | 174034 ¹ | Standard Tip | 1 (5 per pkg) | |
| 12 | 169215 ¹ | Swirl Ring | 1 | |
| 13 | 169212 ¹ | Standard Electrode | 1 (5 per pkg) | |
| 14 | 169232 ¹ | O-Ring | 1 (3 per pkg) | |
| 15 | 174035 ¹ | Stop-Guide Sleeve | 1 | |
| 16 | 169214 ¹ | Extended Tip | 1 (5 per pkg) | |
| 17 | 173895 ¹ | Extended Electrode | 1 (5 per pkg) | |
| 18 | 169213 ¹ | Gouge Tip | 1 (5 per pkg) | |
| | 253054 | Stand-off Guide | 1 | 1 |
| | 253055 | Circle Cutting Guide | 1 | 1 |

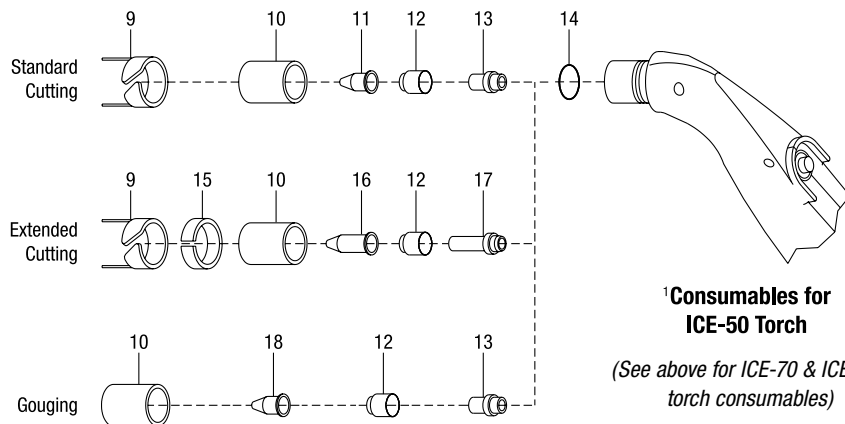
¹For ICE-50 only — see page 66 for ICE-70 and ICE-100 torch consumables.



ICE-50 / ICE-70 & ICE-100 Torch

For a listing of original torch applications and replacements:

see pages 55-57



¹Consumables for ICE-50 Torch

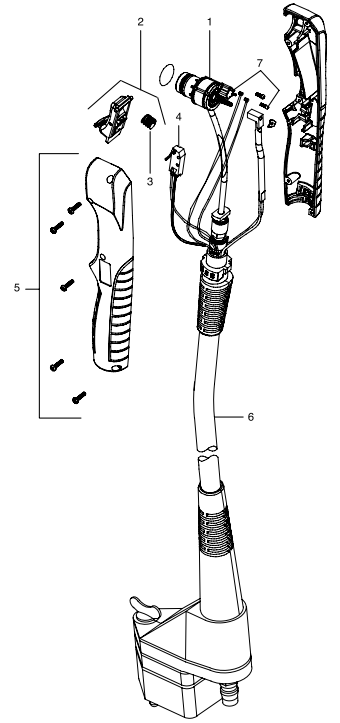
(See above for ICE-70 & ICE-100 torch consumables)



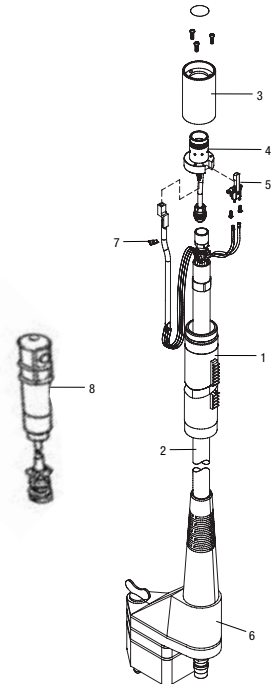
ICE-60T & 60TM

Service Parts/Consumables

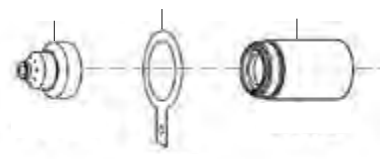
| Item # | Part # | Description | Quantity |
|--------|--------|---|---------------|
| | 234132 | Torch, 20 ft (ICE-60T) | 1 |
| | 234134 | Torch, 50 ft (ICE-60T) | 1 |
| | 234136 | Torch, 25 ft (ICE-60TM) | 1 |
| | 234138 | Torch, 50 ft (ICE-60TM) | 1 |
| | 300759 | Torch with Pendant, 25 ft (ICE-60TM) | 1 |
| | 300760 | Torch with Pendant, 50 ft (ICE-60TM) | 1 |
| | | ICE-60T Torch | |
| 1 | 215477 | Torch, Main Body | 1 |
| 2 | 185833 | Switch Assembly (includes spring) | 1 |
| 3 | 190220 | Spring | 1 |
| 4 | 215592 | Trigger Switch | 1 |
| 5 | 215594 | Handle Assembly | 1 |
| 6 | 234170 | Leads, 20 ft | 1 |
| | 234171 | Leads, 50 ft | 1 |
| | 252951 | Grease, Silicon | 1 |
| 7 | 215478 | Switch Cup, Sensor | 1 |
| | | ICE-60TM Torch | |
| 1 | 215607 | Sleeve, Torch Position | 1 |
| 2 | 234172 | Torch Lead, 25 ft (7.6 m) | 1 |
| 3 | 215599 | Torch Sleeve | 1 |
| 4 | 215598 | Torch, Main Body | 1 |
| 5 | 215478 | Switch Cup, Sensor | 1 |
| 6 | 234829 | Kit, ICE-60T/TM QD w/Wing Head Fastener | 1 |
| 7 | 215606 | Clip, Retaining | 1 |
| 8 | 195513 | Remote Pendant Control | 1 |
| | 220240 | Cable, Remote Control Trigger 25 ft (7.6 m) | 1 |
| | 220241 | Cable, Remote Voltage Sense 26.5 ft (8 m) | 1 |
| | | Consumables | |
| 9 | 212735 | O-Ring | 1 (5 per pkg) |
| 10 | 212734 | Swirl Ring | 1 |
| 11 | 212724 | Electrode | 1 (5 per pkg) |
| 12 | 219676 | Standard 60A tip | 1 (5 per pkg) |
| 13 | 212725 | Standard 40A tip | 1 (5 per pkg) |
| 14 | 212733 | Retaining Cup | 1 |
| 15 | 212730 | Drag Shield | 1 |
| 16 | 212732 | Shield | 1 |
| 17 | 219682 | Extended 60A tip | 1 (5 per pkg) |
| 18 | 212729 | Extended 40A tip | 1 (5 per pkg) |
| 19 | 212736 | Deflector | 1 |
| 20 | 219680 | Gouge Tip | 1 (5 per pkg) |
| 21 | 212731 | Gouge Shield | 1 |
| 22 | 226763 | Sense Tab | 1 |
| 23 | 253054 | Stand-off Guide | 1 |
| 24 | 255055 | Cutting Guide | 1 |



ICE-60T Torch



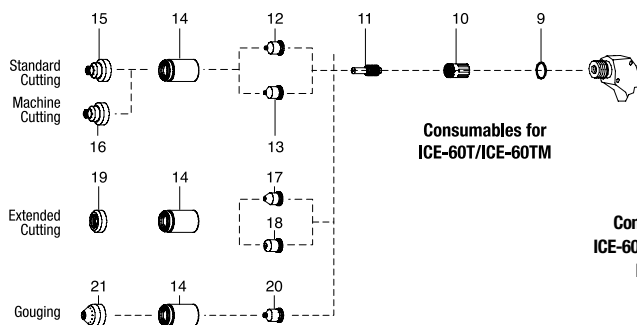
ICE-60TM Torch



226763
Sense Tab

For a listing of original torch applications and replacements:

see pages 55-57



PLASMA CUTTING

ICE-70M/100M

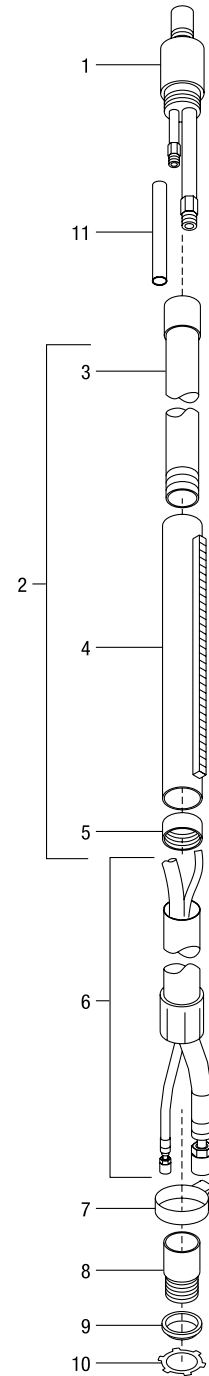
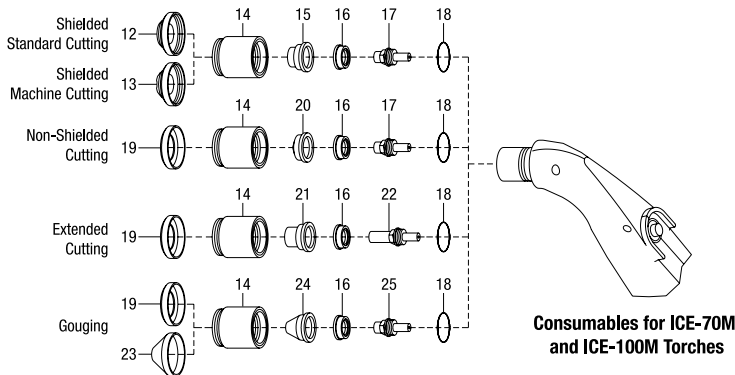
Service Parts/Consumables

| Item # | Part # | Description | Quantity |
|--------------------|---------------------|---|---------------|
| | 169247 (N/A) | ICE-100M, 50 ft Machine Torch | 1 |
| 1 | 171245 | Torch, Main Body | 1 |
| 2 | 171241 (N/A) | Torch Assembly, Rack and Sleeve (consists of) | 1 |
| 3 | 185999 (N/A) | Torch Position Sleeve | 1 |
| 4 | 186000 (N/A) | Gear Rack | 1 |
| 5 | 186001 (N/A) | Locking Ring | 1 |
| 6 | 171243 (N/A) | Leads, 30 ft (ICE-70M) | 1 |
| | 171242 (N/A) | Leads, 50 ft (ICE-100M) | 1 |
| 7 | 010860 (N/A) | Clamp, Hose .750 – 1.750clp dia | 1 |
| 8 | 170993 (N/A) | Collar, Brass | 1 |
| 9 | 170825 (N/A) | Washer, shldr 1.251 x 1.750 OD x .125thk | 1 |
| 10 | 010907 | Nut, 1.000 – 11 | 1 |
| 11 | 171244 (N/A) | Black PVC, 5/8 ID x 3.5 long | 1 |
| Consumables | | | |
| 12 | 169224 | Shield, Drag | 1 |
| 13 | 169230 | Machine Shield | 1 |
| 14 | 169223 | Retaining Cup | 1 |
| | 179282 ¹ | Cup, Bevel | 1 |
| 15 | 169219 | Tip (70 A) | 1 (5 per pkg) |
| | 169226 | Tip (100 A) | 1 (5 per pkg) |
| 16 | 169222 | Swirl Ring | 1 |
| 17 | 169217 | Electrode | 1 (5 per pkg) |
| 18 | 169233 | O-Ring | 1 (3 per pkg) |
| 19 | 169225 | Deflector | 1 |
| 20 | 169220 | Tip (70 A) | 1 (5 per pkg) |
| | 169227 | Tip (100 A) | 1 (5 per pkg) |
| 21 | 173815 | Tip (70 A) | 1 (5 per pkg) |
| 22 | 173816 | Electrode | 1 (5 per pkg) |
| 23 | 170995 | Gouge Shield (70 A) | 1 |
| 24 | 169221 | Tip (70 A) Gouging | 1 (5 per pkg) |
| | 169228 | Tip (100 A) Gouging | 1 (5 per pkg) |
| 25 | 169218 | Electrode (70 A) Gouging | 1 (5 per pkg) |
| | 169217 | Electrode (100 A) Gouging | 1 (5 per pkg) |
| 26 | 226763 | Sense Tab | 1 |
| | 253054 | Stand-off Guide | 1 |
| | 253055 | Circle Cutting Guide | 1 |

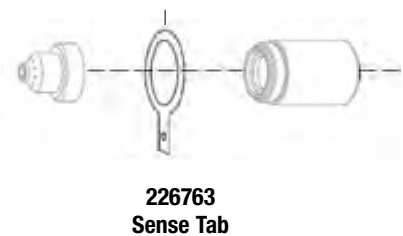
¹Use of the 179282 Bevel Cup will eliminate the need to use item #19 (169225 Deflector).

For a listing of original torch applications and replacements:

see pages 55-57



ICE-70M/ICE-100M Torch

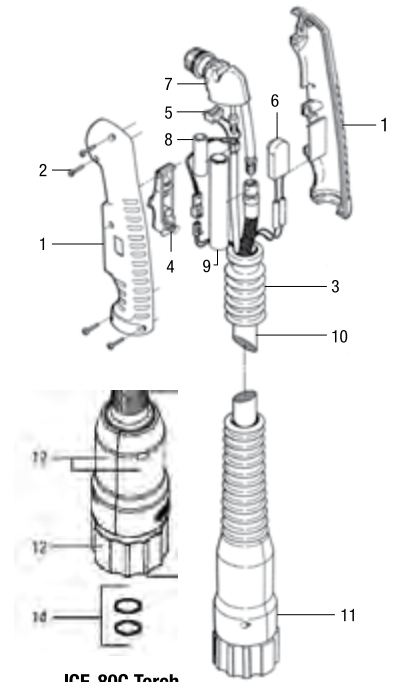




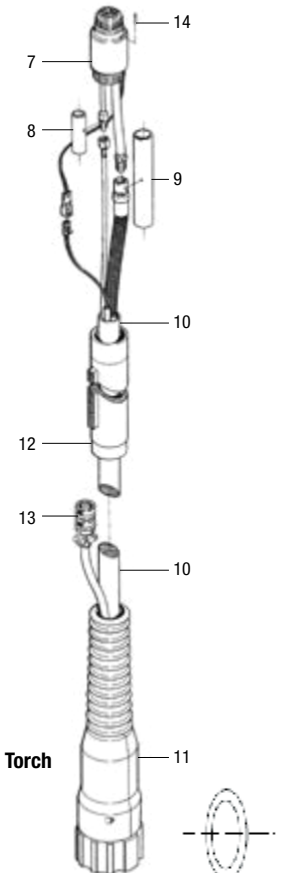
ICE-80C & 80CM

Service Parts/Consumables

| Item # | Part # ICE-80C | Part # ICE-80CM | Description | Quantity |
|--------|---------------------|---------------------|---------------------------------------|---------------|
| | 176830 | — | ICE-80C, 25 ft Hand-Held Torch | |
| 1 | 187300 | — | Handle | 1 |
| 2 | 190503 | — | #6 x 5/8 Phillips Screw, Pan Head | 4 |
| 3 | 190502 (N/A) | — | Boot | 1 |
| 4 | 196423 | — | Switch Assy (includes) | 1 |
| 5 | 187301 | — | Switch, Cup Sensor | 1 |
| 6 | 196682 | — | Push Button Switch | 1 |
| 7 | 187298 | 187299 | Main Body | 1 |
| 8 | 190501 | 190501 | Heatshrink 1/2 in ID (2.5 in) | 1 |
| 9 | 190500 (N/A) | 190500 (N/A) | Tubing, 5/8 in ID (4 in) | 1 |
| 10 | 196415 | — | Torch Lead, 25 ft (7.6 m) | 1 |
| | 196416 (N/A) | 196417 (N/A) | Torch Lead, 50 ft (15.2 m) | 1 |
| 11 | 190497 | 190497 | Plug Assy, Quick Disconnect | 1 |
| 12 | 218177 | — | Both Plastic Halves and Nut | 1 |
| 13 | — | — | Sleeve, Torch Position | 1 |
| 14 | 187305 | — | O-Ring, Quick Disconnect | 1 |
| | | | Consumables | |
| 15 | 177899 | 177899 | Drag Shield | 1 |
| 16 | 177898 | 177898 | Retaining Cup | 1 |
| 17 | 177896 | 177896 | Standard Tip | 1 (5 per pkg) |
| 18 | 177895 | 177895 | Standard Electrode | 1 (5 per pkg) |
| 19 | 177897 | 177897 | Swirl Ring | 1 |
| 20 | 177902 | 177902 | O-Ring, silicon .864 x .070 | 1 (5 per pkg) |
| 21 | 187292 | 187292 | Machine Shield | 1 |
| 22 | 177900 | 177900 | Deflector | 1 |
| 23 | 187289 | 187289 | Extended Tip | 1 (5 per pkg) |
| 24 | 187288 | 187288 | Extended Electrode | 1 (5 per pkg) |
| 25 | 187291 | 187291 | 40 Amp Retaining Cup | 1 |
| 26 | 187290 | 187290 | 40 Amp Tip | 1 (5 per pkg) |
| 27 | 187293 | 187293 | Gouge Shield | 1 |
| 28 | 177901 | 177901 | Gouge Tip | 1 (5 per pkg) |
| 29 | 226763 | 226763 | Sense Tab | 1 |
| | 253054 | 253054 | Stand-off Guide | 1 |
| | 253055 | 253055 | Circle Cutting Guide | 1 |



ICE-80C Torch

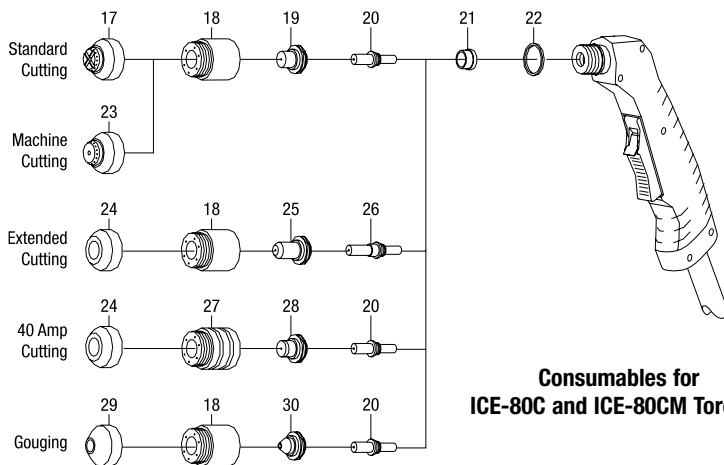


ICE-80CM Torch

226763
Sense Tab

For a listing of original torch applications and replacements:

see pages 55-57



Consumables for
ICE-80C and ICE-80CM Torches

PLASMA CUTTING

ICE-80CX/80T

Service Parts/Consumables

| Item # | Part # ICE-80CX | Part # ICE-80T | Description | Quantity |
|--------------------|---------------------|---------------------------|-----------------------------|---------------|
| | 216300 | 195223 | Torch, 25 ft | 1 |
| | 218044 | 195225 | Torch, 50 ft | 1 |
| 1 | 215594 | 215594 | Handle w/Screws | 1 |
| 2 | 215478 | 215478 | Cup Sensor Switch Kit | 1 |
| 3 | 215477 | 215477 | Main Body | 1 |
| 4 | 215479 | 215479 | Torch Head Repair Kit | 1 |
| 5 | 212735 | 212735 | O-Ring, main body | 1 (5 per pkg) |
| 6 | 185833 | 185833 | Switch Assembly (includes) | 1 |
| 7 | 190220 | 190220 | Trigger sSpring | 1 |
| 8 | 215592 | 215592 | Switch Trigger | 1 |
| 9 | 215606 | 215606 | Clip, Retaining | 1 |
| 10 | 216309 | 223543 ¹ (N/A) | Torch Lead, 25 ft (7.6 m) | 1 |
| | 218045 (N/A) | 223544 ¹ (N/A) | Torch Lead, 50 ft (15.2 m) | 1 |
| 11 | — | 227546 | Fastener Stud | 1 |
| 12 | 218177 | — | Plug Assy, quick disconnect | 1 |
| 13 | 190497 | — | Both Plastic Halves and Nut | 1 |
| 14 | 187305 | — | O-Ring, quick disconnect | 2 |
| Consumables | | | | |
| 15 | 212730 | 212730 | Drag Shield | 1 |
| 16 | 212733 | 212733 | Retaining Cup | 1 |
| 17 | 212725 | 212725 | 40 Amp Standard Tip | 1 (5 per pkg) |
| 18 | 212726 | 212726 | 80 Amp Standard Tip | 1 (5 per pkg) |
| 19 | 212724 | 212724 | Electrode | 1 (5 per pkg) |
| 20 | 212734 | 212734 | Swirl Ring | 1 |
| 21 | 212735 | 212735 | O-Ring | 1 (5 per pkg) |
| 22 | 212736 | 212736 | Deflector | 1 |
| 23 | 212729 | 212729 | 40 Amp Extended Tip | 1 (5 per pkg) |
| 24 | 212728 | 212728 | 80 Amp Extended Tip | 1 (5 per pkg) |
| 25 | 212731 | 212731 | 80 Amp Gouge Shield | 1 |
| 26 | 212727 | 212727 | 80 Amp Gouge Tip | 1 (5 per pkg) |
| | 222942 ² | 222942 ² | Consumable Kit (ICE-80T) | 1 |
| | 253054 | 253054 | Stand-off Guide | 1 |
| | 253055 | 253055 | Circle Cutting Guide | 1 |

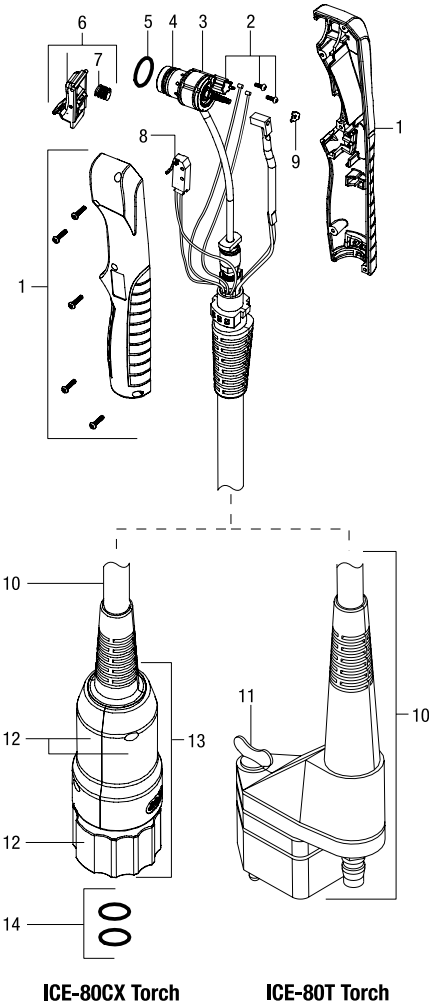
¹Item #10 for ICE-80T is a combination unit that includes both torch lead and overmolded quick disconnect plug assembly.

²ICE-80T Consumable Kit includes (1) plastic case 127493, (1) drag shield 212730,

(1) retaining cup 212733, (3) tips 212726, (6) electrodes 212724,

(2) extended tips 212728, (1) gouge shield 212731, (1) gouge tip 212727,

(3) o-rings 212735, and (1) silicon grease 252951.

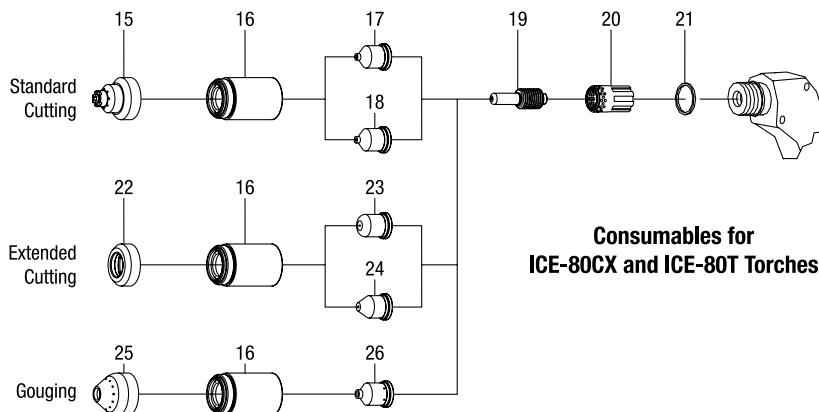


ICE-80CX Torch

ICE-80T Torch

For a listing of original torch applications and replacements:

see pages 55-57



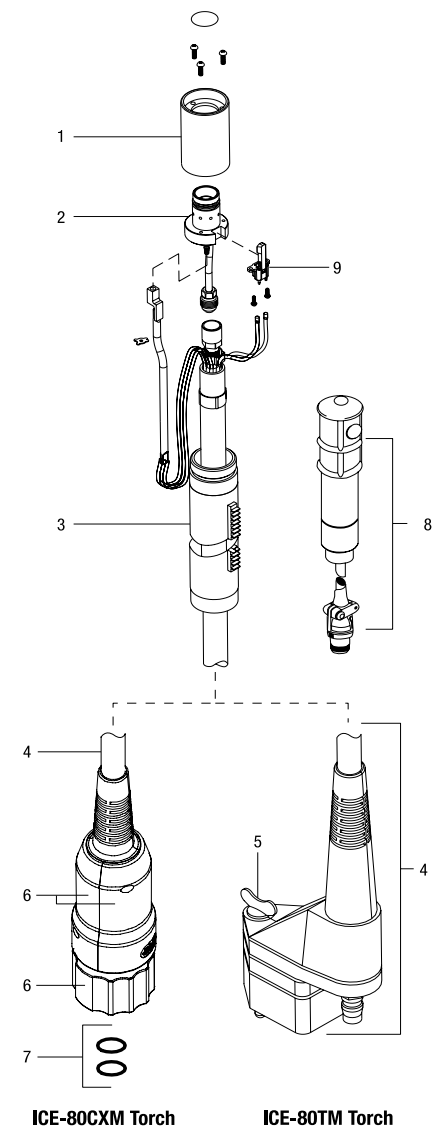
Consumables for
ICE-80CX and ICE-80T Torches



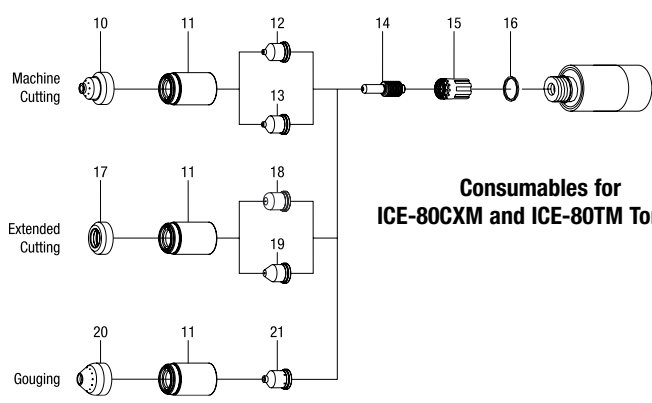
ICE-80CXM/80TM Service Parts/Consumables

| Item # | Part # ICE-80CX | Part # ICE-80T | Description | Quantity |
|--------------------|---------------------|---------------------------|-----------------------------|---------------|
| | 216300 | 195223 | Torch, 25 ft | 1 |
| | 218044 | 195225 | Torch, 50 ft | 1 |
| 1 | 215594 | 215594 | Handle with screws | 1 |
| 2 | 215478 | 215478 | Cup Sensor Switch Kit | 1 |
| 3 | 215477 | 215477 | Main Body | 1 |
| 4 | 215479 | 215479 | Torch Head Repair Kit | 1 |
| 5 | 212735 | 212735 | O-Ring, main body | 1 (5 per pkg) |
| 6 | 185833 | 185833 | Switch Assembly (includes) | 1 |
| 7 | 190220 | 190220 | Trigger spring | 1 |
| 8 | 215592 | 215592 | Switch trigger | 1 |
| 9 | 215606 | 215606 | Clip, retaining | 1 |
| 10 | 216309 | 223543 ¹ (N/A) | Torch Lead, 25 ft (7.6 m) | 1 |
| | 218045 (N/A) | 223544 ¹ (N/A) | Torch Lead, 50 ft (15.2 m) | 1 |
| 11 | — | 227546 | Fastener Stud | 1 |
| 12 | 218177 | — | Plug Assy, quick disconnect | 1 |
| 13 | 190497 | — | Both Plastic Halves and Nut | 1 |
| 14 | 187305 | — | O-Ring, quick disconnect | 2 |
| Consumables | | | | |
| 15 | 212730 | 212730 | Drag Shield | 1 |
| 16 | 212733 | 212733 | Retaining Cup | 1 |
| 17 | 212725 | 212725 | 40 Amp Standard Tip | 1 (5 per pkg) |
| 18 | 212726 | 212726 | 80 Amp Standard Tip | 1 (5 per pkg) |
| 19 | 212724 | 212724 | Electrode | 1 (5 per pkg) |
| 20 | 212734 | 212734 | Swirl Ring | 1 |
| 21 | 212735 | 212735 | O-Ring | 1 (5 per pkg) |
| 22 | 212736 | 212736 | Deflector | 1 |
| 23 | 212729 | 212729 | 40 Amp Extended Tip | 1 (5 per pkg) |
| 24 | 212728 | 212728 | 80 Amp Extended Tip | 1 (5 per pkg) |
| 25 | 212731 | 212731 | 80 Amp Gouge Shield | 1 |
| 26 | 212727 | 212727 | 80 Amp Gouge Tip | 1 (5 per pkg) |
| | 222942 ² | 222942 ² | Consumable Kit (ICE-80T) | 1 |
| | 253054 | 253054 | Stand-off Guide | 1 |
| | 253055 | 253055 | Circle Cutting Guide | 1 |

¹Item #10 for ICE-80T is a combination unit that includes both torch lead and overmolded quick disconnect plug assembly.
²ICE-80T Consumable Kit includes (1) plastic case 127493, (1) drag shield 212730, (1) retaining cup 212733, (3) tips 212726, (6) electrodes 212724, (2) extended tips 212728, (1) gouge shield 212731, (1) gouge tip 212727, (3) o-rings 212735, and (1) silicon grease 252951.



For a listing of original torch applications and replacements: **see pages 55-57**



Consumables for ICE-80CXM and ICE-80TM Torches



226763 Sense Tab

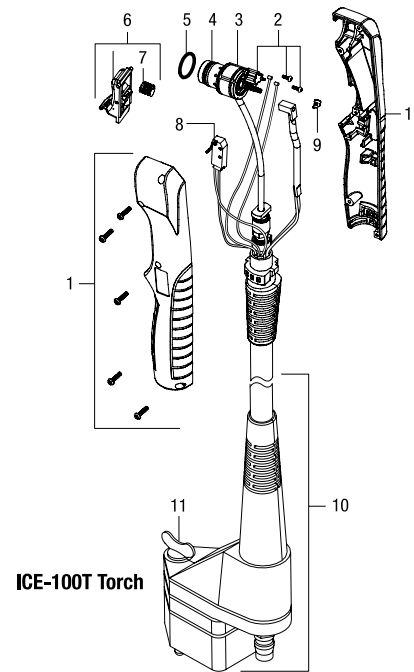
PLASMA CUTTING

ICE-100T & 100TM

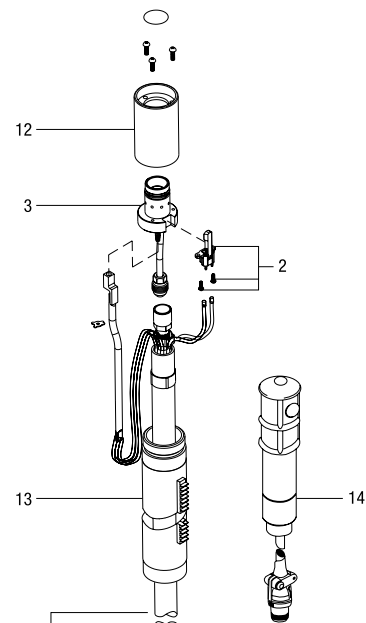
Service Parts/Consumables

| Item # | Part # ICE-100T | Part # ICE-100TM | Description | Quantity |
|--------------------|-----------------------------|----------------------------|-------------------------------------|---------------|
| | 225702 | 225706 | Torch, 25 ft | 1 |
| | 225704 | 225708 | Torch, 50 ft | 1 |
| 1 | 215594 | — | Handle w/Screws | 1 |
| 2 | 215478 | 215478 | Cup Sensor Switch Kit | 1 |
| 3 | 223774 | 223773 | Main Body w/Switch | 1 |
| 4 | 223775 | 223775 | Torch Head Repair Kit | 1 |
| 5 | 212735 | — | O-Ring, Main Body | 1 (5 per pkg) |
| 6 | 185833 | — | Switch Assembly (includes) | 1 |
| 7 | 190220 | — | Trigger Spring | 1 |
| 8 | 215592 | — | Switch Trigger | 1 |
| 9 | 215606 | — | Clip, Retaining | 1 |
| 10 | 223612 ¹ | 223614 ¹ (N/A) | Torch Lead, 25 ft (7.6 m) | 1 |
| | 223613 ¹ | 223615 ¹ (N/A) | Torch Lead, 50 ft (15.2 m) | 1 |
| 11 | 227546 | 227546 | Fastener Stud | 1 |
| 12 | — | 215599 | Torch Sleeve, ICE-80TM | 1 |
| 13 | — | 215607 | Sleeve, Torch Position | 1 |
| 14 | — | 195513 | Remote Pendant Control | 1 |
| | — | 220240 | Cable, Remote Control Trigger 25 ft | 1 |
| | — | 220241 | Cable, Remote Voltage Sense 26.5 ft | 1 |
| Consumables | | | | |
| 15 | 212730/219 685 ² | 212732/219687 ² | Drag/Machine Shield | 1 |
| 16 | 212733/219 684 ² | 212733/219684 ² | Retaining Cup | 1 |
| 17 | 212725 | 212725 | 40 Amp Standard Tip | 1 (5 per pkg) |
| | 219676 | 219676 | 60 Amp Standard Tip | 1 (5 per pkg) |
| | 212726 | 212726 | 80 Amp Standard Tip | 1 (5 per pkg) |
| | 219679 (N/A) | 219679 (N/A) | 100 Amp Standard Tip | 1 (5 per pkg) |
| 18 | 212724/219 678 ² | 212724/219678 ² | Electrode | 1 (5 per pkg) |
| 19 | 212734/219 677 ² | 212734/219677 ² | Swirl Ring | 1 |
| 20 | 212735 | 212735 | O-Ring | 1 (5 per pkg) |
| 21 | 212736 | 212736 | Deflector | 1 |
| 22 | 212729 | 212729 | 40 Amp Extended Tip | 1 (5 per pkg) |
| | 219682 | 219682 | 60 Amp Extended Tip | 1 (5 per pkg) |
| | 212728 | 212728 | 80 Amp Extended Tip | 1 (5 per pkg) |
| | 219683 | 219683 | 100 Amp Extended Tip | 1 (5 per pkg) |
| 23 | 212731 | 212731 | Gouge Shield | 1 |
| 24 | 219680 | 219680 | 60 Amp Gouge Tip | 1 (5 per pkg) |
| 25 | — | 226763 | Sense Tab | 1 |
| | 212727 | 212727 | 80 Amp Gouge Tip | 1 (5 per pkg) |
| | 219681 | 219681 | 100 Amp Gouge Tip | 1 (5 per pkg) |
| | 227037 ³ | 227037 ³ | Consumable Kit (ICE-100T) | 1 |
| | 253054 | — | Stand-off Guide | 1 |
| | 253055 | — | Circle Cutting Guide | 1 |

¹Item #10 includes both torch lead and overmolded quick disconnect plug assembly.
²First number is for 40/60/80 Amp components and second number is for 100 Amp components.
³ICE-100T Consumable Kit includes (1) plastic case 127493, (1) 100 A drag shield 219685, (1) 100 A retaining cup 219684, (3) 100 A tips 219679, (6) 100 A electrodes 219678, (2) 100 A extended tips 219683, (1) gouge shield 212731, (1) 100 A gouge tip 219681, (3) o-rings 212735, and (1) silicon grease 252951.



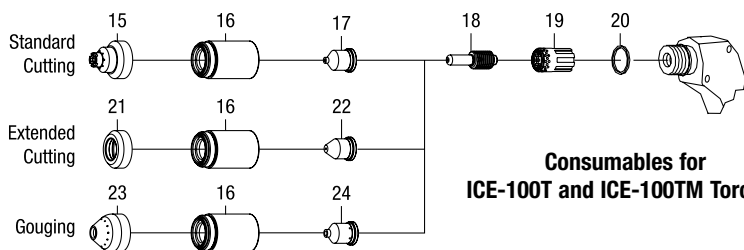
ICE-100T Torch



ICE-100TM Torch

For a listing of original torch applications and replacements:

see pages 55-57



Consumables for ICE-100T and ICE-100TM Torches



226763 Sense Tab



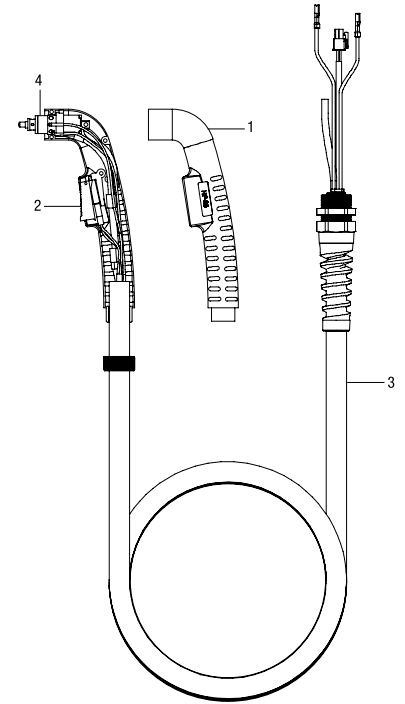
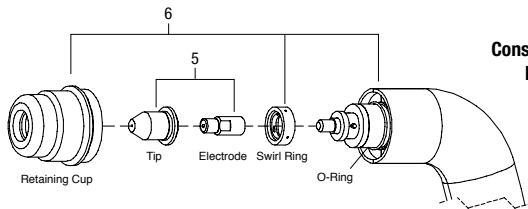
HP-25/50/70

Service Parts/Consumables

| Item # | Part # | Description | Quantity |
|--------|---------------------------|---------------------------------------|------------|
| | 232647 | HP-25 Hand-Held Plasma Torch | |
| 1 | 230429 | Handle Assy, Left and Right w/Screws | 1 |
| 2 | 232081 | Trigger Switch | 1 |
| 3 | 230432 | Leads, 16 ft | 1 |
| 4 | 230430 | Torch Head | 1 |
| 5 | 770496¹ | Consumable Kit, Tip/Electrode | 2 each/kit |
| 5 | 770723 | Consumable Kit, Tip/Electrode | 5 each/kit |
| 6 | 770497¹ | Consumable Kit, Cup/Swirl Ring/O-Ring | 1 |
| | 233321 | Stand-off Guide | 1 |
| | 233046 | Wrench | 1 |
| | 245993 | Kit, Detect Leads | 1 |

¹Parts not sold individually.

No circle cutting guide for the HP-25, HP-50, and HP-70 torches. 244117 Yellow Safety Switch.

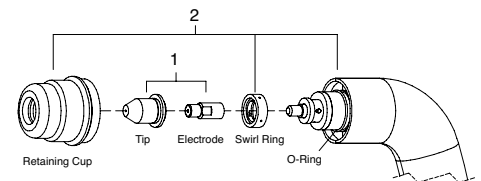


HP-25 Torch

| Item # | Part # | Description | Quantity |
|--------|---------------------------|---|------------|
| | 244121 | HP-50 Hand-Held Plasma Torch | |
| 1 | 770496¹ | Consumable Kit, Tip/Electrode | 2 each/kit |
| 1 | 770723 | Consumable Kit, Tip/Electrode | 5 each/kit |
| 2 | 770653¹ | Consumable Kit, Cup/Swirl Ring/O-Ring | 1 |
| 3 | 233321 | Stand-off Guide, HP-25/50/70 Plasma Torch | 1 |
| | 245993 | Kit, Detect Leads | 1 |
| | 233046 | Wrench | |

¹Parts not sold individually.

No circle cutting guide for the HP-25, HP-50, and HP-70 torches. 244117 Yellow Safety Switch.

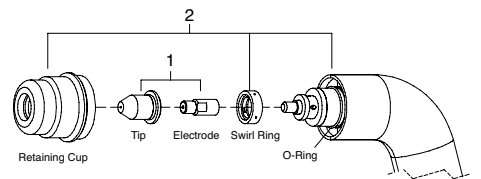


Consumable Kits for HP-50 Torch

| Item # | Part # | Description | Quantity |
|--------|---------------------------|---|------------|
| | 244122 | HP-70 Hand-Held Plasma Torch | |
| 1 | 770654¹ | Consumable kit, tip/electrode | 2 each/kit |
| 1 | 770724 | Consumable kit, tip/electrode | 5 each/kit |
| 2 | 770655¹ | Consumable kit, cup/swirl ring/O-ring | 1 |
| 3 | 233321 | Stand-off guide, HP-25/50/70 plasma torch | 1 |
| | 245993 | Kit, Detect Leads | 1 |
| | 233046 | Wrench | |

¹Parts not sold individually.

No circle cutting guide for the HP-25, HP-50, and HP-70 torches. 244117 Yellow Safety Switch.



Consumable Kits for HP-70 Torch

For a listing of original torch applications and replacements:

see pages 55-57

Hose Fittings

Little Torch™ Hose Nuts

| Stock No. | Type | Nut Thread & Number | Hose ID Size |
|-----------|----------|---------------------|---------------|
| 16173 | Oxygen | 9/16 in-18 RH | 1/8 in (3 mm) |
| 16174 | Fuel Gas | 9/16 in-18 LH | 1/8 in (3 mm) |

Little Torch™ Hose Tailpiece

| Stock No. | Type | Style | Hose ID Size |
|-----------|-------------|--------|---------------|
| 1882 | Oxygen/Fuel | Barbed | 1/8 in (3 mm) |

NOTE: For Oxy and Fuel Connections.

Little Torch™ & Quickbraze™ Hose Ferrule

| Stock No. | Inside Diameter | Length | Hose Type |
|-----------|-----------------|---------------|-------------|
| 7582 | 3/16 in/ 5 mm | 9/32 in/ 7 mm | Oxygen/Fuel |

NOTE: 7799 - Crimping tool to crimp ferrule on Little Torch™ hose.

Hose Adaptors

| Stock No. | Type | Male Thread | Female Thread |
|----------------|----------|--------------|---------------|
| 14389 (B to A) | Oxygen | 3/8 in-24 RH | 9/16 in-18 RH |
| 14390 (B to A) | Fuel Gas | 3/8 in-24 RH | 9/16 in-18 RH |

NOTE: "B" Regulators fitting to "A" hose fitting.

Torch Hose Connections

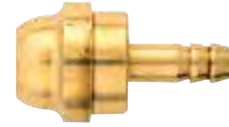
| Stock No. | Type | Nut Thread & Number | Style |
|-----------|----------|---------------------|---------------|
| 3060-1 | Oxygen | 9/16 in-18 RH | Nickel Plated |
| 3060-2 | Fuel Gas | 9/16 in-18 LH | Nickel Plated |

Use With: All heavy duty torch handles and hand torches.

16174



1882



Ferrule
7582



Crimping Tool
7799



14389



3060-2



3060-1



Pressure Gauges & Filter

#GA136-03 2-inch Diameter Pressure Gauge (50 CFH/25 LPM)

#GA139-03 2-inch Diameter Pressure Gauge (4000 PSI/280 BAR)

■ Highly accurate read-out ■ UL listed ■ Shatter-proof polycarbonate crystal

15001-30 Gas Filter, Shielding (In-Line)

This in-line shielding gas filter is now standard on every Miller® wire feeder with a gas solenoid. It traps contaminants before they plug up solenoid valves which result in costly downtime cleaning.

15775-10 Sintered Filter (10 Pack)

Sintered filter to prevent debris from entering torch. Installs inside Smith "B" torch inlet connections.



GA136-03
1/4 NPT



GA139-03
1/4 NPT



15001-30



15775-10



Single Hoses for Acetylene

Important Note: The Grade “R” hose is for use with acetylene only as specified by the RMA-CGA Hose Standard. “T” Grade hose must be used with all other gases.

Single “R” Grade hoses for Acetylene Only - Red Hose

| Stock No. | Length | Diameter | Weight (lbs & kg) | Connections | Use with Torch Series | I.D. Size |
|-----------|-------------------|----------------|-------------------|---------------------|-----------------------|---------------|
| RL121 | 12-1/2 ft (3.8 m) | 3/16 in (5 mm) | 1-1/4 (.55 kg) | 9/16 in-18 LH (“B”) | NE180 Handi-Heat | 3/16 in(5 mm) |

Single Hose - Inert Gas - Black Hose

| Stock No. | Use For | Length | Diameter | Connections |
|-----------|-----------|--------------|---------------|-------------------|
| 7294-1 | Inert Gas | 6 ft (1.8 m) | 1/4 in (6 mm) | 5/8 in-18 RH Male |

Single Hose - Nitrogen

Heavy Duty Charging Hose for use with Nitrogen for HVAC Purging Applications.

| Stock No. | Length | Connections | | Use with Regulators | I.D. Size |
|-----------|--------------|------------------------|----------------------|--|---------------|
| | | To Regulator | To A/C Unit | | |
| RL260 | 6 ft (1.8 m) | 7/16 in-20 RH Internal | 7/16 in-20 RH w/core | 30-450-580 depress to open Schraeder Valve | 1/4 in (6 mm) |

Little Torch™ Replacement Hoses

| Stock No. | Length | Hose Type |
|------------|--------|---|
| 13254-1-8' | 8 ft | Oxygen |
| 13254-3-8' | 8 ft | Any Fuel |
| 13254-4-8' | 8 ft | Oxygen/Fuel |
| 13254-5-8 | 8 ft | Australian Little Torch™ Twin Hose Assembly |
| 13254-6-8 | 8 ft | British Little Torch™ Twin Hose Assembly |
| 13254-7-8 | 8 ft | European Little Torch™ Twin Hose Assembly |

Note: “B” - 9/16” Hose Fittings. Replacement hoses include installation tool 7799 and Ferrule 7582.

QuickBraz™ Replacement Hoses

| Stock No. | Length | Hose Type |
|------------|--------|---------------|
| 14777-4-10 | 10 ft | “A” - 3/8 in |
| 14778-4-10 | 10 ft | “B” - 9/16 in |

Note: Replacement hoses include installation tool 7799 and Ferrule 7582.

Kevlar® Brazing Hose

14779-4-10 “A” & “B” Fitting Twin Hose 3/8 in and 9/16 in female connections.

Kevlar® Hose Features & Benefits

Extremely durable, heat resistant, light weight and flexible. Excellent for repetitious brazing operations. (Not recommended for use with cutting attachments.)

RL121



7294-1



RL260



13254-1-8, 13254-3-8, 13254-4-8



14777-4-10, 14778-4-10



14779-4-10



Twin Hoses for Acetylene & Oxygen

WARNING: Do not exceed the maximum working pressures (regulator setting) listed for the hoses during welding and cutting operations.

Oxygen150 PSIG Maximum

Acetylene15 PSIG Maximum

Propane, Propylene & all other Fuel Gases40 PSIG Maximum

Two-In-One "R" Grade Hose for Acetylene Only

| Stock No. | Length | Diameter | Weight (lbs & kg) | Connections | | Use with Torch Series | I.D. Size |
|-----------|-------------------|----------------|-------------------|---|---|-----------------------|----------------|
| | | | | To Regulator | To Torches | | |
| RL1131 | 25 ft (7.6 m) | 1/4 in (mm) | 6-1/2 (2.9 kg) | R11 (Oxygen) R12 (Fuel) 9/16 in-18("B") | R11 (Oxygen) R12 (Fuel) 9/16 in-18 ("B") | DG, SC, SW, CW, MW | 1/4 in (6 mm) |
| RL921 | 12-1/2 ft (3.8 m) | 3/16 in (5mm) | 2-3/4 (1.2 kg) | R13D (Oxygen) R14D (Fuel) 9/16 in-18 ("B") | R13D (Oxygen) R14D (Fuel) 9/16 in-18 ("B") | DG, MW, CW, SC | 3/16 in (5 mm) |
| RL935 | 20 ft (6.1 m) | 3/16 in (5mm) | 4 (1.8 kg) | | | | |
| RA921 | 12-1/2 ft (3.8 m) | 3/16 in (5 mm) | 2-1/2 (1.1 kg) | R13D (Oxygen) R14D (Fuel) 9/16 in-18 ("B") | R13 (Oxygen) R14 (Fuel) 3/8 in-24 ("A") | AW1 | |

RL1131, RL921, RL935, RA921



Two-In-One "T" Grade Hose use with fuel gases (LP or Acetylene Gas)

| Stock No. | Length | Diameter | Weight (lbs & kg) | Connections | | Use with Torch Series | I.D. Size |
|-----------|---------------|---------------|-------------------|--|---|--------------------------|---------------|
| | | | | To Regulator | To Torches | | |
| TRL1131 | 20 ft (6.1 m) | 1/4 in (6 mm) | 6-1/2 (2.9 kg) | R11 (Oxygen) R12 (Fuel) 9/16 in-18("B") | R11 (Oxygen) R12 (Fuel) 9/16 in-18 ("B") | DG, SC, SW, CW, MW, AW10 | 1/4 in (6 mm) |

TRL1131





Repair Parts

"O" Ring Replacements

| Stock No. | Use with Welding/Heating Tips/Cutting Assemblies |
|-----------|---|
| AW15 | AW Series Welding Tips / AT Series Heating Tips / AC309 Cutting Assembly / NE180 Series Air-Acetylene Tips |
| MW15 | MW Series Welding Tips / MT Series Heating Tips / DG109A, MC509, MC505 & CC509P Cutting Assemblies |
| LW15 | SW Series Welding Tips / ST Series Heating Tips / DG209, DG205, DG200, SC209, SC205, SC200 Cutting Assemblies |

NOTE: 25 per package.

Hand Cutting Torch Repair Kits

| Stock No. | Use with Torches |
|-----------|--|
| 15772 | DG900 & SC900 Series |
| SC100 | DG100, 200 & 300 Series; SC100, 200,300 Series |

Cutting Assembly Repair Kits

| Stock No. | Use with Cutting Assemblies |
|-----------|-------------------------------|
| SC101 | Heavy Duty DG200 & SC Series |
| MC101 | Medium Duty DG100 & MC Series |

The Little Torch™ Valve Assembly & Packing Replacements

| Stock No. | |
|-----------|---|
| 7345 | Oxygen Valve Assembly |
| 7346 | Fuel Valve Assembly |
| 7348 | PTFE Packing for Valve Assembly (for Oxy and Fuel Valves) |

Torch Valve Replacements (2 valves per kit)

| Stock No. | Use with Torch Handles & Hand Cutting Torches |
|-----------|--|
| LW17 | WH100, MW5, MW5A, SW2, CW5A & AW10A |
| G729-5A | WH200, WH200A, SW1A, SW1B Series, 780 Series Machine Torch |
| AW11A | AW1A |
| LW14B-1 | DG900, DG200, SC200, SC900 Series Hand Torches, 770 Series Machine Torches, SW1 Series Torch Handles |

Torch Head Replacement Nut

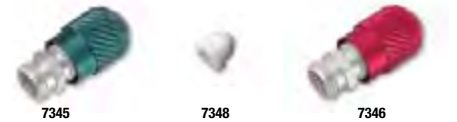
| Stock No. | Use with Cutting Assemblies |
|-----------|---|
| G690-8 | MC509, CC509P, AC309, MC505 |
| G900-41A | Use with All SC Series Hand and Machine Torches & Cutting Torch Assemblies SC900 Series, SC772A, SC782A, SC781A, SC780A, SC771, SC770, SC509, SC300 Series Torches, SC300 Series Torches, SC100 Series Torches, SC300 Cutting Assembly |
| 15555 | Use with All Heavy Duty Dual Guard Hand Torch & Cutting Assemblies DG900 Series, DG209 Cutting Assembly, DG205 Cutting Assembly, DG300 Series, DG200 Series, DG100 Series |
| 15720-1 | Use with DG109A Cutting Assembly - DG109A |



SC100



SC101



7345

7348

7346



G729-5A
LW14B-1

LW17

AW11A



| Cutting Tip Seat Graphite® Packing Replacements | (1 Set Per Bag) |
|---|-------------------|
| G691 | "MC" Cutting Tips |
| G930 | "SC" Cutting Tips |



Torch Head
Replacement Nut
(Tip Nut)

Smith Equipment®

The Little Torch™
Service Parts/Consumables

**Jewelry Repair & Manufacture, Hobby & Crafts, Metal Sculpture, Glass Blowing,
Plumbing, Electronics & Repair**



23-1014

Outfit for Disposable Tanks

23-1014 Includes 249-499B preset oxygen regulator, 249-500B preset propane regulator, cylinder holder, 11-1101C torch, #5 tip, 8ft (2.4m) hoses and instruction manual. Allows maximum portability and may be used in locations where larger pressurized cylinders are not allowed.

Kit shown in inset photo above may be used with disposable propylene or propane and oxygen cylinders (Cylinders not included).

Disposable oxygen and fuel tanks may be purchased at most hardware locations. May not be used with LP Multi-Flame (Rosebud) tip.

23-1003B Includes 11-1101C torch, #3-7 tips, 30-15-520 acetylene regulator (for "B" 40 cubic foot tank), 30-20-540 oxygen regulator, reverse flow check valves, 8' (2.4m) covered hoses and instruction manual.

23-1003P Kit with regulator fitting for propane or larger industrial acetylene cylinders. Includes 11-1101C torch, #3-7 tips, 30-15-510 fuel regulator, 30-20-540 oxygen regulator, reverse flow check valves, 8' (2.4m) covered hoses and instruction manual.

23-1003 Kit with regulator fitting for acetylene (for "MC" tank) 10 cu. ft. cylinder. Includes 11-1101C torch, #3-7 tips, 30-15-200 fuel regulator, 30-20-540 oxygen regulator, check valves, 8' (2.4m) covered hoses and instruction manual.



23-1001D

23-1001D Works with any fuel gas and oxygen. Includes 11-1101C torch, #3-7 curved tips, 8' (2.4m) hoses and instruction manual. Packaged in display box as shown ("B" hose connections fuel 9/16"-18-LH, Oxygen 9/16"-18-RH).

239-047B with BRITISH hose connections (Fuel G-3/8"-19 LH, Oxygen G 3/8"-19 RH). Tips included #3-7. Replacement British hose 8 ft. 13254-6-8.

239-048A with EUROPEAN hose connections (Fuel G-3/8"-19 LH, Oxygen G 1/4"-19 RH). Tips included #3-7. Replacement European hose 8 ft. 13254-7-8.

23-1013A with AUSTRALIAN hose connections (Fuel 5/8"-18-LH, Oxygen 5/8"-18 RH). Replacement Australian hose 8 ft. 13254-5-8.

Hoses may be connected to any standard oxy-fuel regulators (no adaptors required).



249-500B
Preset Propane Regulator

249-499B
Preset Oxygen Regulator

23-1003B



OR





Smith Equipment®

The Little Torch™ Service Parts/Consumables

Magnetic Torch Stand & Tip Organizer

14014 Solid metal stand comes with holes drilled and numbered for #2-7 tips. Just a twist of the wrist removes the torch from the magnet. Magnetic clip mounts easily on Little Torch™ body (torch and tips sold separately).



| Stock No. | Gas | Capacity | Height-Diameter |
|-----------|----------------|-----------|------------------|
| 0C20 | Oxygen | 20 cu.ft. | 17 3/4" - 5 1/4" |
| 2329E | "MC" Acetylene | 10 cu.ft | 14 1/2" - 4 1/8" |
| 13558 | Propane | 5 lb. | 12 1/2" - 8" |

The Little Torch™ has unmatched flexibility - it can be used with several fuels including acetylene, hydrogen, propane, propylene, or natural gas. It produces a perfectly controlled, completely stable flame hot enough to melt commercially weldable metals, glass and even ceramics. It may also be used with special heating tips to melt up to 3 oz. of gold or silver. Excellent for soldering platinum.

It's the complete works in a handy self-contained lightweight unit. These highly portable kits come complete with everything you need for your soldering or brazing operations. Kits include tanks, regulators, safety check valves, five tips, torch and hoses all in a handy carrying case. Oxygen and acetylene cylinders can be refilled at most welding supply stores (disposable LP tanks are not included). Kits weight less than 32 lbs.



OR



Intertek



Propane Caddy

23-1015P Propane Caddy Includes 13558 (5 lb.) refillable propane tank, 0C20 (20 cu.ft.) oxygen tank, 11 1101C torch with 8 ft. (2.4m) covered hoses, #3-7 tips, 30-20-540 oxygen regulator, 30-15-510 propane regulator, H698 pair reverse flow check valves, 13787A powder coated metal carrier and complete operation and instruction manual.



Propane Caddy

23-1010P Propane Caddy Includes 11-1101C torch, 8' (2.4m) covered hoses, #3-7 tips, 249-500 B preset propane regulator, 30-20-540 oxygen regulator, 0C20 oxygen cylinder (20 cu.ft.) 13493 caddy carrier, H698 pair check valves, and complete instruction manual. The 14.1 oz. disposable LP tank provides up to 15 hours of running time with #5 tip.

Disposable tanks not included.



Acetylene Caddy

23-1004A Acetylene Caddy Includes 11-1101C torch, #3-7 tips, 30-15-200 acetylene regulator, 30-20-540 oxygen regulator, H698 pair reverse flow check valves, 8' (2.4m) covered hoses, 0C20 (20 cu.ft.) oxygen cylinder, 2329E (10 cu. ft.) acetylene cylinder, 13493 caddy carrier and instruction manual.



Smith Equipment®

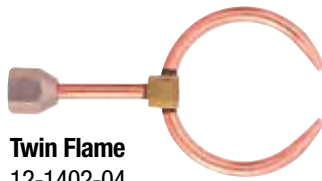
The Little Torch™ Service Parts/Consumables



Curved
12-1401-07



Straight
129-124-04



Twin Flame
12-1402-04

Sapphire Tips

Due to the extraordinary small orifice diameter of tips sizes #2-3, tips are fitted with a laser drilled synthetic sapphire to assure accurate gas flow and consistent flame characteristics.

All tips are 100% flame tested.



Flexible Tip Extension

For customizing angle and distance from handle.

Stock No.
2327-3SP

Length
3 in. (76 mm)

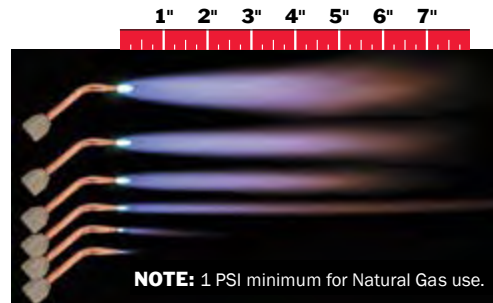
| Size | Curved | Straight | Use With | Orifice Dia. | Drill Size | Gas Pressure (PSI) | | Gas Consumption (CFH) | | BTU/hr | Capacity |
|------|------------|------------|--------------------------|--------------|------------|--------------------|------|-----------------------|--------|--------|------------|
| | | | | | | Oxygen | Fuel | Fuel | Oxygen | | |
| #2 | 12-1401-02 | N/A | Acetylene, Hydrogen Only | 0.006 | 97 | 2 | 2 | 0.09 | 0.11 | 130 | N/A |
| #3 | 12-1401-03 | N/A | Any Fuel Gas | 0.011 | 85 | 4 | 4 | 0.78 | 0.94 | 1,150 | Up to 1/8" |
| #4 | 12-1401-04 | 129-124-04 | | 0.020 | 76 | 5 | 5 | 1.57 | 1.88 | 2,300 | 1/4"-3/8" |
| #5 | 12-1401-5 | N/A | | 0.029 | 69 | 6 | 6 | 2.58 | 3.1 | 3,800 | 5/16"-5/8" |
| #6 | 12-1401-6 | N/A | | 0.037 | 63 | 6 | 6 | 4.48 | 5.38 | 6,585 | 3/8"-3/4" |
| #7 | 12-1401-7 | N/A | | 0.047 | 56 | 8 | 8 | 6.27 | 7.52 | 9,200 | 1/2"-7/8" |

| Size | Twin Flame | Use With | Orifice | Drill Size | Gas Pressure (PSI) | | Gas Consumption (CFH) | | BTU/hr | Brazing Capacity Copper Pipe |
|------|------------|--------------|---------|------------|--------------------|------|-----------------------|--------|--------|---------------------------------|
| | | | | | Oxygen | Fuel | Fuel | Oxygen | | |
| #4 | 12-1402-04 | Any Fuel Gas | 0.02 | 76 | 5 | 5 | 2.91 | 3.49 | 4,300 | 1/4"-5/8" |
| #5 | 12-1402-05 | | 0.029 | 69 | 6 | 6 | 4.7 | 5.64 | 6,900 | 5/16"-3/4" |
| #6 | 12-1405-06 | | 0.037 | 63 | 6 | 6 | 6.5 | 7.8 | 9,550 | 3/8"-7/8" |



Twin Flame

Approximate flame sizes at neutral mixture (oxygen/acetylene)



NOTE: 1 PSI minimum for Natural Gas use.

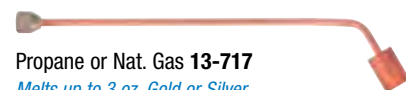
Heating Tips

| Stock No. | Fuel | Flame Average BTU/hr | Gas Pressure (PSI) | | Length | Gas Consumption (CFH) | |
|-----------|-------------|-------------------------|--------------------|------|---------------|-----------------------|--------|
| | | | Oxygen | Fuel | | Fuel | Oxygen |
| 13-662 | Acetylene | 6,615 | 14 | 10 | 6" (153mm) | 5 | 4.5 |
| | Hydrogen | 10,800 | | | | 9 | 36.0 |
| 13717 | Propane | 3,497 | 14 | 10 | 6" (153mm) | 5 | 1.4 |
| | Natural Gas | 2,300 | 7 | 5 | | 3.5 | 2.3 |

Note: Heating tips not for use with disposable oxygen tanks.



Acetylene 13-662
Melts up to 3 oz. Gold or Silver



Propane or Nat. Gas 13-717
Melts up to 3 oz. Gold or Silver





Smith Equipment®

Quickbraze® Oxy-Fuel Outfits Refridgeration Outfits/Airconditioning



23-5005A

Adapts to A or B Style Regulator Connections



S6
Single Flame Tip



14711
Heating Tip



T7
Twin Flame Tip



C2
"C" Style Tip



23-5004A

Caddy Kit Tips supplied braze up to 1-5/8" (41mm) diameter pipe fits 10 cu.ft. "MC" acetylene and 20 cu. Ft. "R" oxygen tanks.

Quickbraze® Tip Data Chart

| Stock No. | Gas Pressure (PSI) | | Gas Consumption (CFH) | | BTU Output/Hr | Brazing Capacity Copper Pipe | No. Flames |
|-----------|--------------------|------|-----------------------|--------|---------------|---------------------------------|------------|
| | Oxygen | Fuel | Fuel | Oxygen | | | |
| S4 | 8 | 8 | 0.8 | 0.6 | 1,120 | 1/4"-3/8" | 1 |
| S6 | 8 | 8 | 3.2 | 3.4 | 7,360 | 1/2"-3/4" | 1 |
| T7 | 8 | 8 | 9.8 | 7.6 | 12,200 | 5/8"-1-3/8" | 2 |
| C2* | 7 | 5 | 6.4 | 7.2 | 12,350 | 1/2"-1-1/8" | 5 |
| 14711* | 12 | 10 | 14.7 | 9.7 | 13,760 | 1/2"-1-5/8" | 4 |

*For use with Oxy-Acetylene only.

| Kit Stock No. | Torch Assembly | Single Flame Tips | Twin Flame Tip | "C" Style Tip | Heating Tip | Regulators | Accessories |
|---------------|--|-------------------|----------------|---------------|-------------|------------------------|--|
| 23-5004A | 11-1114 "B" -9/16" Hose Fittings | S6 | T7 | C2 | 14711 | 30-20-540 30-15-200 | Cylinder Caddy Carrier, Striker, Check Valves & Operations Manual (tanks not included) |
| 23-5005A | 11-1116 "A" -3/8" Hose Fittings | | | | | None | "A" to "B" Hose Adaptors & Operations Manual (hose may be attached to "A" or "B" Regulator Fittings) |



Brazes solenoid and expansion valves so quickly that heat is unable to transfer to internal parts, protecting them from damage and eliminating the need for messy and costly heat sink materials.



Twin flame tips solder coil return bends quickly and evenly; concentrated heat will not heat and loosen surrounding joints.



Twin flame "C" style tips quickly braze reversing valves without burning internal components.



Revolutionary patented "C" style tips provide 100% flame wrap for fast, efficient, even heating. Heat is confined to the joint area protecting surroundings from burning. "C" style tips also assure even heat on the blind side of the braze joint.



Accumulators can be brazed extremely fast by simply laying the patented "C" style tip near the joint.



Smith Equipment®

Handi-Heat® & Silver Smith™ Acetylene-Air Kits Soldering, Brazing, Sweating & Heating

NE835A



239-193



Acetylene-Air Handi-Heat®

Handi-Heat® soldering outfits provide fast heat with acetylene and atmospheric air. Concentrated soft flame delivers 4700 degrees F heat just where it is needed for maximum performance on all types of soldering, heating, thawing and other applications. Tough NE180A torch handle is built to last – machined from solid brass. Unlike plastic torches, it is not sensitive to temperature changes. Full length fluted handle provided firm comfortable grip. Needle valve provides excellent flame adjustment. Easy to operate. Just hold torch and set flame with one hand.

Silver Smith™

Designed for jewelers, silver smiths and hobbyists (excellent choice for light brazing and soldering). Air-fuel torches deliver the ultimate in quality and flame control. The all metal torch provides strength and long life, while precision jeweled orifice tips produce a soft, consistent flame. The Silver Smith™ torch system is designed to work with air and acetylene gas.

| Outfit No. | Torch Handle | Tips | Regulator | Fits Tanks | Accessories |
|------------|--------------|---------------------------|--------------------|----------------|--|
| NE835A | NE180A | NE180-1, NE180-2, NE180-3 | 30-15-520 (CGA520) | "B" 40 cu. ft. | RL121 12.5 ft. (3.8m) Hose N113A Lighter |
| 239-193 | NE180A | NE180-00 | | | |

Note: Torch does not require check valves or flashback arrestors.

Air/Acetylene Torch & Tips



NE180A
Length-5-3/8" (130mm)
Weight 8-1/4 oz.

NE180A Torch Handle
1 Year Warranty
Use with acetylene gas. Machined from solid, brass. Hose connections 9/16"-18 LH thread, "B". Fits R12 or R14D hose Connections.

NE180A Torch Handle
1 Year Warranty
Burns acetylene with atmospheric air. Ideal for sweating copper joints up to 6" (152mm) in diameter, soldering, leading, thawing, heating and straightening.

- No oxygen tank needed
- Clean, economical heat
- No wrench needed-tips are hand tightened
- One-handed flame adjustment
- 360 degree Tip turning radius
- Tough all brass body
- Smooth turning needle valve
- Rugged tips
- Nickel plated for added heat resistance
- Fuel pressure setting: 12-14 PSIG

Air/Acetylene Tips



NE180-4
Length-8" (230mm)
Weight 3-1/2 oz.

NE180-4 Extra Large Tip
Use for fast paint burning, heavy soldering and heating. Replacement Orifice No. L704-6



NE180-3
Length 7-5/8" (203mm)
Weight 3-1/4 oz.

NE180-3 Large Tip
Use for pipe thawing, light brazing and silver soldering. Replacement Orifice No. L703-6



NE180-2
Length 6-7/8" (175mm)
Weight 2-1/2 oz.

NE180-2 Medium Tip
For all types of soft soldering, body leading, etc. Replacement Orifice No. L702-6



NE180-1
Length 6-1/8" (156mm)
Weight 1-7/8 oz.

NE180-1 Small Tip
For fine instrument work, auto radiators, etc. Replacement Orifice No. L701-6



NE180-0
Length 4-3/4" (121mm)
Weight 1-3/4 oz.

NE180-0 Fine Tip
For jewelry, small tube and electronics soldering. Replacement Orifice No. L711-6



NE180-00
Length 4-3/4" (121mm)
Weight 1-3/4 oz.

NE180-00 Super Fine Tip
For delicate jewelry and electronic soldering. Replacement Orifice No. L710-6



| Tip No | Flame Opening | | Flame Inner Cone Length | | Consumption SCFH | BTU Output |
|----------|---------------|-----|-------------------------|----|------------------|------------|
| | Inch | mm | Inch | mm | | |
| NE180-4 | 3/8" | 10 | 1-3/4" | 45 | 22.8 | 32,900 |
| NE180-3 | 1/4" | 6 | 1-1/2" | 38 | 9 | 13,000 |
| NE180-2 | 3/16" | 5 | 1-1/4" | 32 | 5.2 | 7,500 |
| NE180-1 | 9/64" | 3.6 | 3/4" | 19 | 2.8 | 4,000 |
| NE180-0 | 3/32" | 2.4 | 1/4" | 6 | 1.5 | 2,200 |
| NE180-00 | 1/16" | 1.7 | 1/8" | 3 | 0.5 | 720 |





Safety Accessories



HB190 Hard Hat



H195 Hard Hat

Hard Hat™ Regulator Guards

Protect regulators from costly gauge replacement with our Hard Hat gauge guards. Promotes safety - designed to help prevent broken gauges which can lead to gas leaks. Time and cost savings - helps prevent costly equipment down time and expensive repairs.

HB190 Hard Hat is made from rugged steel with a bright yellow, baked-enamel finish. Quickly and easily attaches to regulator. Fits Series 40™, HB1500 and HB2100 Series brass regulators.

H195 Hard Hat is formed from extremely tough, impact-resistant polycarbonate resin with a bright, safety-yellow finish. Fits Series 30™ and 1700 Series single-stage regulators.

Note: Will not work with flow gauge regulators.

Oxy Accessories



N230
Cylinder Wrench



N250
Tip Cleaner



N113ANB
Lighter

NE135B
Two-Hose Manifold



13493
Torch and Cylinder Carrier



| Stock Number | Product |
|--------------|---|
| N230 | Cylinder Wrench |
| N250 | Tip Cleaner (sharp point spiral) |
| N113ANB | Flint Lighter (N113-3 replacement flints) (5 per pkg.) |
| 13493 | Caddy Carrier with hose wrap and storage compartment for MC acetylene and 20 cu. ft. oxygen cylinders. |
| NE135B | Two-Hose Manifold – oxygen “B” connections |
| NE136B | Two-Hose Manifold – fuel “B” connections |
| 16229 | Circle Cutting Guide cuts from 5/8” to 12” diameter holes. Works with all SC and MC style cutting tips. |



16229
Adjustable Circle Cutting Guide

GASAVER™



Save money, save time and improve safety.

Ideal for production brazing and welding applications, our GASAVER can help you realize huge savings by eliminating wasted gas during torch start-up/shut-down and between flame applications. Save time by eliminating repeated torch adjustment. GASAVER gives you a safe place to temporarily put your torch and is used by America's largest production plants. Torch flame is automatically extinguished when torch is not in use. Simply pass torch over pilot flame to re-light.

WDW100 is standard GASAVER for use with propylene gas and oxygen. Equipped with adjustable pilot light.

WDW101 is standard GASAVER for general use with acetylene and oxygen. Can be installed in any convenient location on the line between regulators and torch. The closer the torch, the greater the savings in oxygen and acetylene. Equipped with adjustable pilot light.

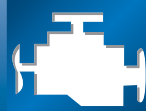
WDW103 is GASAVER equipped with separate adjustable pilot fuel inlet for use with low-pressure gas with injector type torches. Separate source of high-pressure pilot gas required. May also be used with hydrogen gas, however propane or natural gas is recommended to supply the adjustable pilot light.

WDW104 is standard GASAVER equipped with adjustable pilot light for use with propane or natural gas at 4 PSI or more.

Portable Engine Drive Service Parts

Note: Number in (parenthesis) following the order number denotes quantity needed of particular component.

| Model | Serial # Effective | Engine Model | Ignition/ Start Switch # | Brushes/ Brush Assy # | Idle Solenoid # | 230 Volt Plug # | Rheostat/ Pot # | Module (Idle) # |
|-------------------------|--------------------|--------------|--------------------------|-----------------------|-----------------|-----------------|-----------------|-----------------|
| Blue Charger™ | JJ377166 | Onan | 172070 | 126984 (3) | 106977 | — | 081712 | 142725 |
| Blue Charger™ NT | KH477915 | Onan | 176606 | 126984 (3) | 186308 | 119172 | 081712 | See manual |
| Blue Star® 145/145 DX | LE366434 | Kohler | Engine Mfg | 493509 (1) | 218794 | 213380 | 241165 | 201936 |
| Blue Star® 185/185 DX | LE366294 | Honda/Kohler | Engine Mfg | 493509 (1) | 218794 | 213380 | 241165 | 201936 |
| Blue Star® 3500 | KH519597 | Honda/Kohler | Engine Mfg | 493509 (1) | — | — | 494618 | — |
| Blue Star® 6000 | KH467216 | Honda/Kohler | Engine Mfg | 493509 (1) | — | — | See manual | — |
| Bobcat™ 225 | LE294172 | Kohler/Robin | 217680 | 205725 (1) | Engine Mfg | 119172 | 233060 | 201936 |
| Bobcat™ 225D | KB032454 | Deutz/Rugg. | 172070 | 126984 (2) | 149618 | 119172 | 205839 | 142725 |
| Bobcat™ 225D Plus | KG076022 | Deutz/Rugg. | 176606 | See manual | See manual | 119172 | 205839 | See manual |
| Bobcat™ 225G | JK561993 | Onan | 172070 | 126984 (2) | 151485 | 119172 | 205839 | 189742 |
| Bobcat™ 225G Plus | KE582332 | Kohler | 176606 | 126984 (2) | 199530 | 119172 | 205839 | 189742 |
| | | Onan | See manual | 126984 (2) | 165810 | 119172 | 205839 | 189742 |
| Bobcat™ 225 NT | KH329624 | Kohler | See manual | See manual | See manual | 119172 | See manual | See manual |
| | | Onan | See manual | See manual | See manual | 119172 | See manual | See manual |
| Bobcat™ 250 | LE237205 | Kohler/Robin | 217680 | 205725 (1) | Engine Mfg | 119172 | 233060 | 201936 |
| Bobcat™ 250 NT | LB097734 | Kohler | See manual | See manual | 199530 | 119172 | 233060 | 201936 |
| | | Onan/Robin | See manual | See manual | See manual | 119172 | 233060 | 201 36 |
| Bobcat™ 250 D NT | LC357432 | Kubota | See manual | 205725 (1) | 248995 | 119172 | 233060 | 212062 |
| Bobcat™ 3 Phase | LE295787 | Kohler | See manual | 205725 (1) | Engine Mfg | 119172 | 233060 | 201936 |
| Miller Legend® | JH242114 | Onan | 172070 | 126984 (3) | 106977 | See manual | 081712 | 142725 |
| Miller Legend® NT | KH329624 | Onan | 176606 | 126984 (3) | See manual | 119172 | 081712 | See manual |
| Miller Legend® 301G | KH329624 | Kohler | 176606 | 205725 (1) | Engine Mfg | 119172 | See manual | — |
| Miller Legend® 302 | KH329624 | Kohler | 217680 | 205725 (1) | Engine Mfg | 119172 | See manual | — |
| Trailblazer® 250G | JG018501 | Onan | See manual | 126984 (3) | See manual | 025234 | 072462 | See manual |
| Trailblazer® 251 | KG160691 | Onan | 176606 | 126984 (3) | 165810 | 025234 | 072623 | See manual |
| Trailblazer® 251 NT | KJ003470 | Onan | 176606 | 126984 (3) | 165810 | 119172 | 072623 | 216273 |
| Trailblazer® 275 DC/302 | LE246322 | Kohler/Robin | 217680 | 205725 (1) | Engine Mfg | 119172 | See manual | |
| Trailblazer® 280 NT | LA095390 | Kohler | 176606 | 126984 (3) | Engine Mfg | 119172 | 072623 | 216273 |
| | | Onan | 176606 | 126984 (3) | 165810 | 119172 | 072623 | 216273 |
| Trailblazer® DC | LB159073 | Onan | 176606 | 205725 (1) | 165810 | 119172 | See manual | — |
| | | Robin | 176606 | 205725 (1) | 165810 | 119172 | See manual | — |
| Trailblazer® 301 G | LB159073 | Kohler | 176606 | 205725 (1) | 199530 | 119172 | See manual | — |
| | | Onan | 176606 | 205725 (1) | 165810 | 119172 | See manual | — |
| | | Robin | 176606 | 205725 (1) | 165810 | 119172 | See manual | — |
| Trailblazer® 300 D NT | KJ022682 | Kubota | 176606 | 126984 (3) | See manual | 119172 | 072462 | — |
| Trailblazer® 301 D | LC119875 | Kubota | 176606 | 205725 (1) | 248995 | 119172 | See manual | — |
| Wildcat™ 200 | LJ450001H | Subaru | 217680 | 493509 (1) | — | 119172 | 238905 | 189742 |
| Wildcat™ 225G | JJ367046 | Onan | 172070 | 126984 (4) | — | 119172 | 205839 | 189742 |



Portable Engine Drive Tune-Up Components

| Engine Drive | Engine Model | Tune-Up Kit # | Oil Filter # | Air Filter # | Air Filter Pre-Cleaner # | Spark Plug # | Battery |
|--------------------------------|-----------------------------|---------------|--------------|----------------------|--------------------------|--------------|--------------------------|
| Blue Charger™ | Onan Performer P218 | 137046 | 065251 | 064617 | 065653 | 065709 (2) | GP 58 |
| Blue Charger™ NT | Onan Performer P218 | 137046 | 065251 | 064617 | 065653 | 065709 (2) | GP 58 |
| Blue Star® 145 | Kohler CS10TG | 221581 | — | 221579 | 221580 | 203960 | — |
| Blue Star® 145 DX | Kohler CS10STG | 221584 | — | 221582 | 221583 | 203960 | GP U1 |
| | Yamaha MZ300 | 258078 | — | 258077 | — | 203960 | GP U1 |
| Blue Star® 185 | Honda GX390 | 220305 | — | 220303 ¹² | — | 190108 | — |
| BLUE STAR® 185 (ME330051R) | Kohler CH440 | 268469 | NA | 268468 | NA | 268467 | GP U1 |
| Blue Star® 185 DX | Kohler CS12STG | 221584 | — | 221582 | 221583 | 203960 | GP U1 |
| | Yamaha MZ360 | 258078 | — | 258077 | — | 203960 | GP U1 |
| Blue Star® 3500 | Honda GX270 | — | — | 190109 | — | 190108 | U1 |
| | Kohler Command CS8.5TG | — | — | 203952 | 203954 | 203960 | — |
| Blue Star® 6000 | Honda GX390 | — | — | 220303 | 220304 | 190108 | U1 |
| | Kohler Command CS12STG | — | — | 203952 | 203954 | 203960 | — |
| Bobcat™ 225/250 (Rear Engine) | Kohler Command CH23/CH680 | 230015 | 066698 | 230016 | 230017 | 067007 (2) | GP 58 |
| | Kohler Command CH20 | 180096 | 066698 | 067272 | 067273 | 067007 (2) | GP 58 |
| | Kohler Command CH730LP | 180096 | 066698 | 067272 | 067273 | 067007 (2) | GP 58 |
| | Robin EH 64/65 | 199062 | 198754 | 198755 | With Air Filter | 198777 (2) | GP 58 |
| Bobcat™ 250EFI (Rear Engine) | Kohler Command ECH730 | 246115 | 066698 | 230016 | 230017 | 067007 (2) | GP 58 |
| Bobcat™ 3 Phase (Front Engine) | Kohler Command CH23/CH680 | 230015 | 066698 | 230016 | 230017 | 067007 (2) | GP 58 |
| | Kohler Command CH20 | 180096 | 066698 | 067272 | 067273 | 067007 (2) | GP 58 |
| | Kohler Command CH730LP | 180096 | 066698 | 067272 | 067273 | 067007 (2) | GP 58 |
| Bobcat™ 225/250 (Front Engine) | Kohler Command CH730 | 230015 | 066698 | 230016 | 230017 | 067007 (2) | GP 58 |
| | Kohler CH730LP | 252838 | 066698 | 067272 | 067273 | 067007 (2) | GP 58 |
| | Subaru EH65 | 199062 | 198754 | 198755 | With Air Filter | 198777 (2) | GP 58 |
| Bobcat™ 250EFI (Front Engine) | Kohler Command ECH730 | 246115 | 066698 | 230016 | 230017 | 067007 (2) | GP 58 |
| Bobcat™ 3 Phase (Front Engine) | Kohler Command CH730 | 230015 | 066698 | 230016 | 230017 | 067007 (2) | GP 58 |
| Bobcat™ 225D/225D Plus | Deutz/Rugg. MD-151 | — | 066702 | 066843 | 066842 | — | (See note ⁴) |
| Bobcat™ 225G/225G Plus | Onan Performer P-216 | 137046 | 065251 | 064617 | 065653 | 065709 (2) | (See note ⁵) |
| Bobcat™ 225G Plus | Kohler Command CH18 | 180096 | 066698 | 067272 | 067273 | 067007 (2) | GP 58 |
| Bobcat™ 225 NT | Kohler Command CH18/CH20 | 180096 | 066698 | 067272 | 067273 | 067007 (2) | GP 58 |
| | Onan Performer P-216 | 137046 | 065251 | 064617 | 065653 | 065709 (2) | GP 58 |
| Bobcat™ 250 NT | Kohler Command CH20 | 180096 | 066698 | 067272 | 067273 | 067007 (2) | GP 58 |
| | Onan Performer P-220 | 137046 | 065251 | 064617 | 065653 | 065709 (2) | GP 58 |
| | Onan Performer OHV220/Robin | 199062 | 198754 | 198755 | With Air Filter | 198777 (2) | GP 58 |

More Portable Engine Drives on pages 86-88.

¹ Prior to serial number KG045632 use 065629. Effective with serial number KG045632 use 067283.

² Prior to serial number KF926822 use 107297. Effective with serial number KF926822 use 164353.

Note: Number in (parenthesis) following the order number denotes quantity needed of particular component.

³ Prior to JB482410 = U1.

⁴ D=GP 24; DPlus=GP 58.

⁵ G=GP U1; GPlus=GP 58.

⁶ Prior to KF959177=24.

⁷ 250=GP 24; 251=GP 58.

⁸ Effective with LG070820.

⁹ Effective with LG071468.

¹⁰ Effective with LG073969.

¹¹ Effective with LG074229.

¹² 220303 comes with pre-cleaner already installed Air Filter

Portable Engine Drive Tune-Up Components

| Engine Drive | Engine Model | Fuel Filter # | Fuel Pump # | Fuel Cap # | Voltage Regulator # | Muffler Gasket # | Muffler # |
|--------------------------------|-----------------------------|---------------|--------------------------|------------|---------------------|------------------|--------------------------|
| Blue Charger™ | Onan Performer P218 | 066113 | 065629 | 220711* | 064846 | 065313 (2) | (See note ²) |
| Blue Charger™ NT | Onan Performer P218 | 066113 | 065629 | 220711* | 064846 | 065313 (2) | 183434 |
| Blue Star® 145 | Kohler CS10TG | — | — | 203955 | — | 203959 | 203958 (N/A) |
| Blue Star® 145 DX | Kohler CS10STG | — | — | 220711 | — | 203959 | 218411 |
| | Yamaha MZ300 | 264220 | — | 220711 | — | 203959 | 218411 |
| Blue Star® 185 | Honda GX390 | — | — | 198522 | — | — | — |
| Blue Star® 185 (ME330051R) | Kohler CH440 | 246110 | — | 250210 | — | 273877 | 267157 |
| Blue Star® 185 DX | Kohler CS12STG | — | — | 220711 | — | 203959 | 218411 |
| | Yamaha MZ360 | 264220 | — | 220711 | — | 203959 | 218411 |
| Blue Star® 3500 | Honda GX270 | — | — | 198522 | — | — | — |
| | Kohler Command CS8.5TG | — | — | 203955 | — | 203959 | 203958 (N/A) |
| Blue Star® 6000 | Honda GX390 | — | — | 198522 | — | — | — |
| | Kohler Command CS12STG | — | — | 203955 | — | 203959 | 203958 (N/A) |
| Bobcat™ 225/250 (Rear Engine) | Kohler Command CH23/CH680 | 215984 | 190248 | 220711* | 190249 | 189477 (2) | 228681 |
| | Kohler Command CH20 | 215984 | 190248 | 220711 | 190249 | 189477 (2) | 228681 |
| | Kohler Command CH730LP | NA | NA | NA | 190249 | 189477 (2) | 228681 |
| | Robin EH 64/65 | 237857 | 198756 | 220711 | 198778 | 217441 (2) | 228680 |
| Bobcat™ 250EFI (Rear Engine) | Kohler Command ECH730 | 246110 | 190248 | 220711* | 244143 | 289477 (2) | 245396 |
| | | 246112 | | | | | |
| Bobcat™ 3 Phase (Rear Engine) | Kohler Command CH23/CH680 | 215984 | 190248 | 220711* | 190249 | 189477 (2) | 228681 |
| | Kohler Command CH20 | 215984 | 190248 | 220711 | 190249 | 189477 (2) | 228681 |
| | Kohler Command CH730LP | NA | NA | NA | 190249 | 189477 (2) | 228681 |
| Bobcat™ 225/250 (Front Engine) | Kohler Command CH730 | 215984 | 190248 | 220711* | 190249 | 189477 (2) | 249313 |
| | Kohler CH730LP | NA | NA | NA | 190249 | 189477 (2) | 249313 |
| | Subaru EH65 | 237857 | 198756 | 220711* | 198778 | 261651 (2) | 249314 |
| Bobcat™ 250EFI (Front Engine) | Kohler Command ECH730 | 246110 | 190248 | 220711* | 244143 | 189477 (2) | 249741 |
| | | 246112 | | | | | |
| Bobcat™ 3 Phase (Front Engine) | Kohler Command CH730 | 215984 | 190248 | 220711* | 190249 | 189477 (2) | 249313 |
| Bobcat™ 225D/225D Plus | Deutz/Rugg. MD-151 | 066893 | — | 220711 | — | — | — |
| Bobcat™ 225G/225G Plus | Onan Performer P-216 | 066113 | (See note ¹) | 220711 | 064846 | 065313 (2) | 107297/164 353 (Plus) |
| Bobcat™ 225G Plus | Kohler Command CH18 | 215984 | 190248 | 220711 | 190249 | 189477 (2) | 173065 (N/A) |
| Bobcat™ 225 NT | Kohler Command CH18/CH20 | 215984 | 190248 | 220711 | 190249 | 189477 (2) | 183435 |
| | Onan Performer P-216 | 066113 | 067283 | 220711 | 064846 | 065313 (2) | 183434 |
| Bobcat™ 250 NT | Kohler Command CH20 | 215984 | 190248 | 220711 | 190249 | 189477 (2) | 183435 |
| | Onan Performer P-220 | 066113 | 067283 | 220711 | 064846 | 065313 (2) | 183434 |
| | Onan Performer OHV220/Robin | 237857 | 198756 | 220711 | 198778 | 065313 (2) | 204841 |

More Portable Engine Drives on pages 85, 87, and 88.

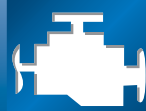
¹Prior to serial number KG045632 use 065629. Effective with serial number KG045632 use 067283.

²Prior to serial number KF926822 use 107297. Effective with serial number KF926822 use 164353.

³Prior to serial number MD210321R use 187428. Effective with serial number MD210321R use 257881.

Note: Number in (parenthesis) following the order number denotes quantity needed of particular component.

*Gas tanks are EPA compliant starting 2012 week 10 (March 5, 2012). Contact Factory Service Department to ensure correct fuel cap is ordered.



Portable Engine Drive Tune-Up Components

| Engine Drive | Engine Model | Tune-Up Kit # | Oil Filter # | Air Filter # | Air Filter Pre-Cleaner # | Spark Plug # | Battery |
|--------------------------------|-----------------------------------|---------------|--------------|--------------|--------------------------|--------------|--------------------------|
| Bobcat™ 250 D NT | Kubota D722FB-25 | 206421 | 187443 | 187441 | — | — | GP 58 |
| Bobcat™ 250 Diesel | Kubota D722FB-25 | 206421 | 187443 | 187441 | — | — | GP 58 |
| Bobcat™ 250 Diesel (MD210321R) | Kubota D722 | 259935 | 187443 | 258349 | — | — | GP 58 |
| | Kohler Command CH20/CH730 | 180096 | 066698 | 067272 | 067273 | 067007(2) | GP 58 |
| Miller Legend® | Onan Performer P-218 | 137046 | 065251 | 064617 | 065653 | 065709(2) | GP 58 ⁶ |
| Miller Legend® NT | Onan Performer P-218 | 137046 | 065251 | 064617 | 065653 | 065709(2) | GP 58 |
| Miller Legend® 301 G/302 | Kohler Command CH23 | 230015 | 066698 | 230016 | 230017 | 067007(2) | GP 58 |
| | Kohler Command CH20 | 180096 | 066698 | 067272 | 067273 | 067007(2) | GP 58 |
| Renegade™ 180 | Kohler 8.5, CS10, 12.0 | 221581 | — | 221579 | 221580 | 203960 | GP U1 |
| Trailblazer® 250G/251 | Onan Performer P-220 | 137046 | 065251 | 064617 | 065653 | 065709(2) | (See note ⁹) |
| Trailblazer® 251 NT | Onan Performer P-220 | 137046 | 065251 | 064617 | 065653 | 065709(2) | GP 58 |
| Trailblazer® 275 DC/302 | Kohler Command CH23 ¹¹ | 230015 | 066698 | 230016 | 230017 | 067007(2) | GP 58 |
| | Kohler Command CH20/CH730 | 180096 | 066698 | 067272 | 067273 | 067007(2) | GP 58 |
| | Robin EH 64/65 | 199062 | 198754 | 198755 | With Air Filter | 198777(2) | GP 58 |
| Trailblazer® 275 DC/302 | Kohler Command CH23/CH680 | 230015 | 066 698 | 230016 | 230017 | 067007(2) | GP 58 |
| Trailblazer® 275 DC/302 EFI | Kohler Command ECH730 | 246115 | 066 698 | 230016 | 230017 | 067007(2) | GP 58 |
| Trailblazer® 275/325 | Kohler Command CH730 w/e-gov | 230015 | 066 698 | 230016 | 230017 | 067007(2) | GP 58 |
| | Kohler Command CH730LP w/e-gov | 252838 | 066 698 | 067272 | 067273 | 067007(2) | GP 58 |
| Trailblazer® 275/325 EFI | Kohler Command ECH730 w/e-gov | 246115 | 066698 | 230016 | 230017 | 067007(2) | GP 58 |
| Trailblazer® 280 NT | Kohler Command CH20 | 180096 | 066698 | 067272 | 067273 | 067007(2) | GP 58 |
| | Onan Performer P-220 | 137046 | 065251 | 064617 | 065653 | 065709(2) | GP 58 |
| Trailblazer® DC/301 G | Kohler Command CH20 | 180096 | 066698 | 067272 | 067273 | 067007(2) | GP 58 |
| Trailblazer® 301 G | Onan Performer P-220 | 137046 | 065251 | 064617 | 065653 | 065709(2) | GP 58 |
| | Onan Performer OHV220/Robin | 199062 | 198754 | 198755 | With Air Filter | 198777(2) | GP 58 |
| Trailblazer® 300 D NT/301 D | Kubota D722FB-25 | 206421 | 187443 | 187441 | — | — | GP 58 |
| Trailblazer® 302 Diesel | Kubota D722FB-25 | 206421 | 187443 | 187441 | — | — | GP 58 |
| Trailblazer® 302 Air Pak | Kohler CH750 | 238743 | 066698 | 238744 | 238745 | 238746(2) | GP51R |
| Trailblazer® 325 Diesel | Kubota D902 | 259935 | 187443 | 258349 | — | — | GP 58 |
| Wildcat 200 | Subaru | 240585 | — | 240597 | — | 240598(2) | GP U1 |

More Portable Engine Drives on pages 85, 86, and 88.

¹Prior to serial number KG045632 use 065629. Effective with serial number KG045632 use 067283.
²Prior to serial number KF926822 use 107297. Effective with serial number KF926822 use 164353.
Note: Number in (parenthesis) following the order number denotes quantity needed of particular component.

³Prior to JB482410 = U1.
⁴D=GP 24; DPlus=GP 58.
⁵G=GP U1; GPlus=GP 58.
⁶Prior to KF959177=24.
⁷250=GP 24; 251=GP 58.

⁸Effective with LG070820.
⁹Effective with LG071468.
¹⁰Effective with LG073969.
¹¹Effective with LG074229.

Portable Engine Drive Tune-Up Components

| Engine Drive | Engine Model | Fuel Filter # | Fuel Pump # | Fuel Cap # | Voltage Regulator # | Muffler Gasket # | Muffler # |
|--------------------------------|--------------------------------|------------------|-------------|------------|---------------------|------------------|--------------------------|
| Bobcat™ 250 D NT | Kubota D722FB-25 | 187442 | — | 220711 | 187821 | 189766 | 187428 |
| Bobcat™ 250 Diesel | Kubota D722FB-25 | 187442 | — | 220711 | 187821 | 189766 | 187428 |
| Bobcat™ 250 Diesel (MD210321R) | Kubota D722 | 213858 259934 | — | 220711 | — | 192517 | 257880 |
| Miller Legend® | Onan Performer P-218 | 066113 | 065629 | 220711 | 064846 | 065313(2) | (See note ²) |
| Miller Legend® NT | Onan Performer P-218 | 066113 | 067283 | 220711 | 064846 | 065313(2) | 183434 |
| Miller Legend® 301 G/302 | Kohler Command CH23 | 215984 | 190248 | 220711 | 190249 | 189477(2) | 207458 |
| | Kohler Command CH20 | 215984 | 190248 | 220711 | 190249 | 189477(2) | 207458 |
| Renegade™ 180 | Kohler 8.5, CS10, 12.0 | — | — | 203955 | — | 203959 | (See note ³) |
| Trailblazer® 250G/251 | Onan Performer P-220 | 066113 | 065629 | 220711 | 064846 | 065313(2) | (See note ²) |
| Trailblazer® 251 NT | Onan Performer P-220 | 066113 | 067283 | 220711 | 064846 | 065313(2) | 183434 |
| Trailblazer® 275 DC/302 | Kohler Command CH23 | 215984 | 190248 | 220711 | 190249 | 189477(2) | 228 681 |
| | Kohler Command CH20/CH730 | 215984 | 190248 | 220711 | 190249 | 189477(2) | 228681 |
| | Robin EH 64/65 | 215984 | 198756 | 220711 | 198778 | 217441(2) | 228680 |
| Trailblazer 275 DC/302 | Kohler Command CH23/CH680 | 215984 | 190248 | 220711* | 190249 | 189477(2) | 228681 |
| Trailblazer 275 DC/302 EFI | Kohler Command ECH730 | 246110, 246112 | 190248 | 220711* | 190249 | 189477(2) | 245396 |
| Trailblazer 275/325 | Kohler Command CH730 w/e-gov | 215984 | 190248 | 255707 | 244143 | 189477(2) | 249313 |
| | Kohler Command CH730LP w/e-gov | — | 190248 | — | 244143 | 189477(2) | 249313 |
| Trailblazer 275/325 EFI | Kohler Command ECH730 w/e-gov | 246110, 246112 | 190248 | 255707 | 244143 | 189477(2) | 249741 |
| Trailblazer® 280 NT | Kohler Command CH20 | 215984 | 190248 | 220711 | 190249 | 189477(2) | 183435 |
| | Onan Performer P-220 | 066113 | 067283 | 220711 | 064846 | 065313(2) | 183434 |
| Trailblazer® DC/301 G | Kohler Command CH20 | 215984 | 190248 | 220711 | 190249 | 189477(2) | 183435 |
| | Onan Performer P-220 | 066113 | 067283 | 220711 | 064846 | 065313(2) | 183434 |
| Trailblazer® 301 G | Onan Performer OHV220/Robin | 237857 | 198756 | 220711 | 198778 | 065313(2) | 204841 |
| | Onan Performer P-220 | 066113 | 067283 | 220711 | 064846 | 065313(2) | 183434 |
| Trailblazer® 300 D NT/301 D | Kubota D722FB-25 | 187442 | — | 220711 | 187821 | 189766 | 187428 |
| Trailblazer® 302 Diesel | Kubota D722FB-25 | 187442 | — | 220711 | 187821 | 189766 | 187428 |
| Trailblazer® 302 Air Pak | Kohler CH750 | 215985 | 190248 | 220711 | 244143 | 189477 | 235107 |
| Trailblazer® 325 Diesel | Kubota D902 | 213858, 259934 | — | 220711 | — | 192517 | 257880 |
| Wildcat 200 | Subaru | 241408 | 246926 | 220711 | 241434 | 246923 | 237720 |

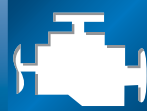
More Portable Engine Drives on pages 85-87.

¹Prior to serial number KG045632 use 065629. Effective with serial number KG045632 use 067283.

²Prior to serial number KF926822 use 107297. Effective with serial number KF926822 use 164353.

Note: Number in (parenthesis) following the order number denotes quantity needed of particular component.

³Gas tanks are EPA compliant starting 2012 week 10 (March 5, 2012). Contact Factory Service Department to ensure correct fuel cap is ordered.



Industrial Engine Drive Tune-Up Components

| Engine Drive | Engine Model | Oil Filter # | Air Filter # | Air Filter (Safety Element) # | Fuel Filter (Primary) # | Fuel Filter (Secondary) # | Engine Filter Kit | Battery |
|--|------------------------|--------------|--------------------------|-------------------------------|-------------------------|---------------------------|-------------------|---------|
| Big 40® | Continental F-163 | 061760 | 017309 | — | — | — | | GP 24 |
| Big 40®G | Continental TM-20 | 114559 | 017309 | — | 047420 | — | | GP 24 |
| Big 40® Diesel | Continental TMD-20 | 064983 | 020319 | — | 192744 | — | | GP 24 |
| Big 40® Diesel (CAT) | CATERPILLAR 3024C/C2.2 | 202166 | 192938 | 192939 | 192744 | 202167 | 246985 | GP 24 |
| Big 50 Diesel™ (Prior to JK718458) | Continental TMD-27 | 064983 | 020319 | — | 062342 | 065346 | | GP 24 |
| Big 50 Diesel™ (Eff. with JK718458) | Continental TMD-27 | 064983 | 020319 | — | 192744 | — | | GP 24 |
| Big Blue® 251D (Prior to KF846844) | Deutz F3L1011 | 066212 | 126880 | — | 192744 | 066217 | | GP 55 |
| Big Blue® 251D (Eff. with KF846844) | Deutz F3L1011 | 067265 | 126880 | — | 192744 | 066217 | | GP 55 |
| Big Blue® 251D (Eff. with LA153592) | Deutz F3L1011 | 067265 | 197676 | 197679 | 192744 | 066217 | | GP 55 |
| Big Blue® 300/Pro | Perkins 403C-15 | 197899 | 197676 | 197679 | 213858 | 197997 | | GP 55 |
| | CATERPILLAR C1.5 | 202166 | 197676 | 197679 | 213858 | 217687 | 246987 | GP 55 |
| | Deutz 2008 | 228778 | 197676 | 197679 | 213858 | 202167 | 246986 | GP 55 |
| | Mitsubishi-S4L2 | 242882 | 197676 | — | 252781 | 213858 | 252782 | GP 55 |
| Big Blue® 302D | Deutz F3L1011 | 067265 | 192938 | 192939 | 192744 | 066217 | | GP 24 |
| Big Blue® 302P | Perkins 104.22 | 197899 | 192938 | 192939 | 192744 | 197997 | | GP 24 |
| Big Blue® 350 PipePro® (Prior to MA 250132E) | Mitsubishi-S4L2 | 242882 | 197676 | 197679 | 213858 | 242881 | 244711 | GP 55 |
| Big Blue® 350 PipePro® (Eff. s/n MA250132) | Mitsubishi-S4L2 | 242882 | 197676 | 197679 | 213858 | 252781 | 252782 | GP 55 |
| Big Blue® 350 PipePro® | Caterpillar C1.5 | 202166 | 197676 | 197679 | 213185 | 202167 | 246987 | GP 55 |
| Big Blue® 400D | Deutz F3L2011 | 067265 | 192938 | 192939 | 192744 | 066217 | 246988 | GP 24 |
| | Perkins 404.22 | 197899 | 192938 | 192939 | 192744 | 197997 | 246985 | GP 24 |
| Big Blue® 400D | Deutz F3L912 | 064677 | 020319 | — | 062342 | 064686 | | GP 24 |
| Big Blue® 400 KX | Kubota V1505-EBG1 | 196428 | 197676 | 197679 | 213858 | 207715 | | GP 55 |
| Big Blue® 400 Pro | Mitsubishi S4L2 | 242882 | 19676 | N/A | 213858 | 252781 | 244711 | GP 35 |
| Big Blue® 400 Pro | Cat C1.5 | 202166 | 197676 | 197679 | 213858 | 217687 | 246987 | GP 35 |
| Big Blue® 400 Pro | Kubota 1505 E3BG | 218467 | 197676 | 197679 | 233482 | 218469 | N/A | GP 35 |
| Big Blue® 402D /502D/602D | Deutz F4L1011 | 067265 | 192938 | 192939 | 192744 | 066217 | | GP 24 |
| | Deutz F3L912 | 064677 | 192938 | 192939 | 192744 | 064686 | | GP 24 |
| Big Blue® 402P/502P/602P | Perkins 3.152 | 192936 | 192938 | 192939 | 192744 | 192937 | | GP 24 |
| Big Blue® 450 duo CST™ | Mitsubishi S4L2 | 242882 | 197676 | 197679 | 213858 | 252781 | 244711 | GP 35 |
| Big Blue® 400/500 ECO Pro | Mitsubishi-S4L2 | 242882 | 197676 | 197679 | 213858 | 252781 | | |
| Big Blue® 500 Pro (Deutz) ⁴ | Deutz 2.9L4 | 067265 | 192938 | 192939 | 255764 | 255765 | 262459 | GP 31 |
| Big Blue® 500X | Deutz F3L912 | 064677 | 192938 | 192939 | 192744 | 064686 | 246989 | GP 24 |
| | Deutz F4L2011 | 067265 | 192938 | 192939 | 192744 | 066217 | 246988 | GP 24 |
| | Perkins 404.22T | 197899 | 192938 | 192939 | 192744 | 197997 | 246985 | GP 24 |
| Big Blue® 600D | Deutz F4L912 | 064677 | 020319 | — | 062342 | 064686 | | GP 24 |
| Big Blue® 600 Pro | Kubota V2403 | 273287 | 273283 | 273284 | 273285 | 273286 | 273293 | GP 31 |
| Big Blue® 700 Dual Pro ⁴ | Deutz F4L2011 | 067265 | 192938 | 192939 | 192744 | 066217 | 246988 | GP 24 |
| Big Blue® 800 Duo Pro | Deutz TD2.94L4 | 67265 | 192983 | 192939 | 255764 | 255765 | 262459 | GP 31 |
| Big Blue® 800 Duo Pro Air Pak™ | Deutz TD2.9L4 | 67265 | 192939 | 192939 | 255754 | 255765 | 262459 | GP 31 |
| Big Blue® 800 Pro Air Pak (Deutz) ⁴ | Deutz 2.9L4 | 067265 | 192938 | 192939 | 225764 | 255765 | 262459 | GP 31 |
| Big Blue® Air Pak™ ¹ | Deutz BF4M 2011 | 067265 | 192938 | 192939 | 192744 | 066217 | 246988 | GP 24 |
| Big Blue® Turbo | Deutz BF4M 2011 | 067265 | 192938 | 192939 | 192744 | 066217 | 246988 | GP 24 |
| Miller Air Pak™ | Deutz F4L912 | 064677 | 020319 | — | 062342 | 064686 | | GP 24 |
| Miller Du-Op™ | Deutz F3L912/914 | 064677 | (See note ²) | (See note ³) | 062342 | 064686 | 246989 | GP 24 |
| PRO 300 | CATERPILLAR 3013C/C1.5 | 202166 | 197676 | 197679 | 213858 | 202167 | 246987 | GP 24 |
| PipePro™ 304 | Kubota DH905/1005 | 196428 | 187441 | 202102 | 066113 | 192744 | 246990 | GP 55 |
| Trailblazer® Pro 350 | Kubota DH905/1005 | 196428 | 187441 | 202102 | 066113 | 192744 | 246990 | GP 55 |

More Portable Engine Drives on pages 85-88.

¹IR Compressor Filter Kit 246991, Oil Filter 206745, Separator Filter 206747 and Air Filter 197676.

²Prior to serial number LB043908 use 020319. Effective with serial number LB043908 use 192938.

³Effective with serial number LB043908 use 192939.

⁴Single-Phase Plug 119172, Three-Phase Plug 254140.

Industrial Engine Drive Tune-Up Components

| Engine Drive | Engine Model | Fuel Cap # | Blower/ Fan Belt # | Alternator Belt # | Fuel Filter (Primary) # | Fuel Filter (Secondary) # | Engine Filter Kit | Battery |
|--|------------------------|------------|-----------------------|-------------------|-------------------------|---------------------------|-------------------|---------|
| Big 40® | Continental F-163 | 182022 | — | — | — | — | | GP 24 |
| Big 40®G | Continental TM-20 | 182022 | 118156 | — | 047420 | — | | GP 24 |
| Big 40® Diesel | Continental TMD-20 | 182022 | 118156 | — | 192744 | — | | GP 24 |
| Big 40® Diesel (CAT) | CATERPILLAR 3024/C2.2 | 254678 | 197944 | — | 192744 | 202167 | 246985 | GP 24 |
| Big 50 Diesel™ (Prior to JK718458) | Continental TMD-27 | 182022 | 118156 | — | 062342 | 065346 | | GP 24 |
| Big 50 Diesel™ (Eff. with JK718458) | Continental TMD-27 | 182022 | 118156 | — | 192744 | — | | GP 24 |
| Big Blue® 251D (Prior to KF846844) | Deutz F3L1011 | 182022 | 066213 | — | 192744 | 066217 | | GP 55 |
| Big Blue® 251D (Eff. with KF846844) | Deutz F3L1011 | 182022 | 066213 | — | 192744 | 066217 | | GP 55 |
| Big Blue® 251D (Eff. with LA153592) | Deutz F3L1011 | 182022 | 066213 | — | 192744 | 066217 | | GP 55 |
| Big Blue® 300/Pro | Perkins 403C-15 | 254678 | 217686 | — | 213858 | 197997 | | GP 55 |
| | CATERPILLAR C1.5 | 254678 | 217686 | — | 213858 | 217687 | 246987 | GP 55 |
| | Duetz 2008 | 254678 | 228780 | — | 213858 | 202167 | 246986 | GP 55 |
| | Mitsubishi-S4L2 | 254678 | 242883 | — | 252781 | 213858 | 252782 | GP 55 |
| Big Blue® 302D | Deutz F3L1011 | 254678 | 067266 | — | 192744 | 066217 | | GP 24 |
| Big Blue® 302P | Perkins 104.22 | 254678 | 197944 | — | 192744 | 197997 | | GP 24 |
| Big Blue® 350 PipePro® (Prior to MA 250132E) | Mitsubishi-S4L2 | 254678 | 242883 | — | 213858 | 242881 | 244711 | GP 55 |
| Big Blue® 350 PipePro® (Eff. s/n MA250132) | Mitsubishi-S4L2 | 254678 | 242883 | — | 213858 | 252781 | 252782 | GP 55 |
| Big Blue® 350 PipePro® | Caterpillar C1.5 | 254678 | 217686 | — | 213185 | 202167 | 246987 | GP 55 |
| Big Blue® 400D | Deutz F3L2011 | 254678 | 216959 | — | 192744 | 066217 | 246988 | GP 24 |
| | Perkins 404.22 | 254678 | 197944 | — | 192744 | 197997 | 246985 | GP 24 |
| Big Blue® 400D | Deutz F3L912 | 182022 | 064690 | 136 250 | 062342 | 064686 | | GP 24 |
| Big Blue® 400 KX | Kubota V1505-EBG1 | 254678 | 218468 | — | 213858 | 207715 | | GP 55 |
| Big Blue® 400 Pro | Mitsubishi S4L2 | 254678 | N/A | 242 883 | 213858 | 252781 | 244711 | GP 35 |
| Big Blue® 400 Pro | Cat C1.5 | 254678 | N/A | 217 686 | 213858 | 217687 | 246987 | GP 35 |
| Big Blue® 400 Pro | Kubota 1505 E3BG | 254678 | N/A | 218 468 | 233482 | 218469 | N/A | GP 35 |
| Big Blue® 402D/502D/602D | Deutz F4L1011 | 254678 | 067266 | — | 192744 | 066217 | | GP 24 |
| | Deutz F3L912 | 254678 | 066271 | — | 192744 | 064686 | | GP 24 |
| Big Blue® 402P/502P/602P | Perkins 3.152 | 254678 | 193163 | — | 192744 | 192937 | | GP 24 |
| Big Blue® 450 duo CST™ | Mitsubishi S4L2 | 254678 | N/A | 242 883 | 213858 | 252781 | 244711 | GP 35 |
| Big Blue® 500 ECO Pro | | | | | 213858 | 252781 | | |
| Big Blue® 500 Pro (Deutz) | Deutz 2.9L4 | 254678 | 260572 | — | 255764 | 255765 | 262459 | GP 31 |
| Big Blue® 500X | Deutz F3L912 | 254678 | 066271 | — | 192744 | 064686 | 246989 | GP 24 |
| | Deutz F4L2011 | 254678 | 067266 | — | 192744 | 066217 | 246988 | GP 24 |
| | Perkins 404.22T | 254678 | 197944 | — | 192744 | 197997 | 246985 | GP 24 |
| Big Blue® 600D | Deutz F4L912 | 024035 | 066271 | — | 062342 | 064686 | | GP 24 |
| Big Blue® 600 Pro | Kubota V2403 | 254678 | — | 273288 | 273285 | 273286 | 273293 | GP 31 |
| Big Blue® 700 Dual Pro | Deutz F4L2011 | 254678 | 197944 | — | 192744 | 066217 | 246988 | GP 24 |
| Big Blue® 800 Duo Pro | Deutz TD2.94L4 | 190198 | N/A | 260 572 | 255764 | 255765 | 262459 | GP 31 |
| Big Blue® 800 Duo Pro Air Pak™ | Deutz TD2.9L4 | 190198 | N/A | 253 944 | 255754 | 255765 | 262459 | GP 31 |
| Big Blue® 800 Duo Air Pak (Deutz) | Deutz 2.9L4 | 254678 | 260572 | — | 225764 | 255765 | 262459 | GP 31 |
| Big Blue® Air Pak™ ¹ | Deutz BF4M 2011 | 254678 | 207808 | — | 192744 | 066217 | 246988 | GP 24 |
| Big Blue® Turbo | Deutz F4L 2011 | 254678 | 067266 | — | 192744 | 066217 | 246988 | GP 24 |
| Miller Air Pak™ | Deutz F4L912 | 024035 | 066271 | — | 062342 | 064686 | | GP 24 |
| Miller Du-Op™ | Deutz F3L912/914 | 182022 | 064690 | 066 213 | 062342 | 064686 | 246989 | GP 24 |
| PRO 300 | CATERPILLAR 3013C/C1.5 | 254678 | 217686 | — | 213858 | 202167 | 246987 | GP 24 |
| PipePro™ 304 | Kubota DH905/1005 | 182022 | 197197 | — | 066113 | 192744 | 246990 | GP 55 |
| Trailblazer® Pro 350 | Kubota DH905/1005 | 182022 | 197197 | — | 066113 | 192744 | 246990 | GP 55 |

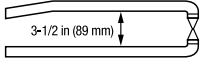


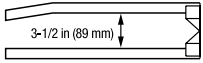

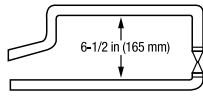


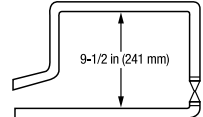


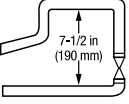


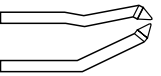

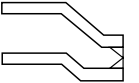

More Portable Engine Drives on pages 85-88.

¹IR Compressor Filter Kit 246991, Oil Filter 206745, Separator Filter 206747 and Air Filter 197676.

²Prior to serial number LB043908 use 020319. Effective with serial number LB043908 use 192938.

³Effective with serial number LB043908 use 192939.

MSW and LMSW Series Tongs and Tips

| TONGS | 6 in (152 mm) | 12 in (305 mm) | 18 in (457 mm) | Tips |
|--|------------------|-------------------------|-------------------|--|
| Standard  | 040197 | 040198 | 040199 | Standard 040211  Flat 040212  |
| MO Offset  | 040200 | 040201 | 040202 | MO Offset 040215  |
| TT-6  | — | 040203 | 040204 | Standard 040211  Flat 040212  |
| TT-9  | — | 040205 | 040206 | Standard 040211  Flat 040212  |
| G-7  | | 8 in (203 mm) 040207 | | Standard 040211  Flat 040212  |
| FF  | | 8 in (203 mm) 040208 | | FF 040213  |
| FH  | | 5 in (127 mm) 040209 | | FH 040214  |

For your added convenience, spot welder tongs and tips can now be ordered through the Miller Service Parts business for use with the following models:

- MSW-41, MSW-41T, MSW-42, MSW-42T, LMSW-52 and LMSW-52T



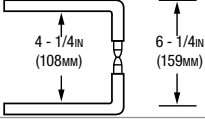
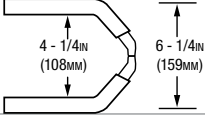
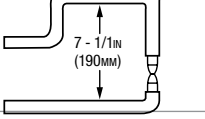
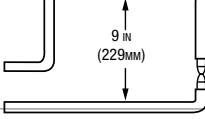
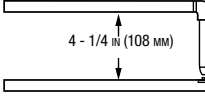
Gyro Bail 041979
Supports the weight of the welder. Operates with boom and counterweight or from spring-loaded cable. Spot welds in any position.












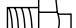
Important Ordering Information

- To determine the correct tong reorder length, measure exposed tong length when installed in spot welder.
Removed tongs measure 2 inches longer than the listed chart length. For correct reorder length, deduct 2 inches from the removed tong.
- One set of tips is supplied with each set of tongs.
- Maximum welding capabilities are obtained with minimum tong length.
- Tips are made of RWMA Class 2 Alloy.

SPOT WELDERS

PSW & SSW Series Tongs and Tips

| TONGS | Description | 6 in (152 mm) | 12 in (305 mm) | 18 in (457 mm) | Tips Included |
|---|--------------------------------------|------------------|-------------------|---------------------------|---|
|  | Standard 90° No. 1 MT No. 2 MT | 040218 — | 040219 — | 040220 041001 | 040223 040308 |
|  | Standard 45° No. 1 MT No. 2 MT | — — | 041004 — | 041005 (N/A) 041001 | 040851 040225 |
|  | TT-6W No. 2 MT | — | — | 041838 | 040308 |
|  | TT-9W No. 2 MT | — | — | 041840 | 040308 |
|  | SW-12 | — | 071465 (N/A) | — | No. 1 Pointed 071466 Top Flat Threaded 071467 Bottom |

| TIPS | Description | Part # | Quantity | Where Used |
|--|---|--------|-----------------------|--|
|  | No. 1 MT (Pointed) | 040223 | 2 tips | Standard 90° No. 1 Tongs |
|  | No. 1 MT (Offset) | 040224 | 2 tips | Standard 90° No. 1 Tongs |
|  | No. 2 MT (Pointed) | 040308 | 2 tips | Standard 90° No. 2 Tongs, TT-6W Tongs, TT-9W Tongs |
|  | No. 1 MT (Offset) | 040851 | 2 tips | Standard 45° No. 1 Tongs |
|  | No. 1 MT (Offset) | 040226 | 2 tips | Standard 90° No. 1 Tongs |
|  | No. 1 MT (Offset) | 040298 | 2 tips | Standard 90° No. 1 Tongs |
|  | No. 2 MT (Offset) | 040225 | 2 tips | Standard 45° No. 2 Tongs |
|  | No. 1 MT (Pointed) | 071466 | 1 tip for top tong | SW-12 Tongs |
|  | Threaded (Flat) | 071343 | 1 tip for bottom tong | SW-12 Tongs (Optional) |
|  | Threaded (Flat) | 071467 | 1 tip for bottom tong | SW-12 Tongs |
|  | No. 1 MT (Flat Swivel Tip) | 040216 | 2 tips | Standard 90° No. 1 Tongs |
|  | Adapter (Adapts No. 1 Morse Taper Tip to No. 2 Receptacle) | 040227 | 2 adapters | Standard 90° No. 2 Tongs, TT-6W Tongs (Top), TT-9W Tongs (Top) |

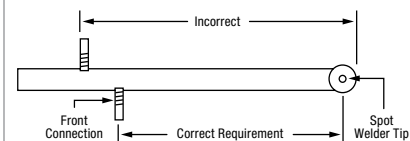
For your added convenience, spot welder tongs and tips can now be ordered through the Miller Service Parts business for use with the following models:

- PSW-1020 ATT and PSW-2020 ATT
- SSW-1020 ATT, SSW-2020 ATT and SSW-2040 ATT



Important Ordering Information

- To determine the correct tong reorder length, measure from the center of the spot weld tip back to the front water hose connection.



- Tongs and tips shown to the left can be used with all PSW and SSW model spot welders. Recommended maximum tong length is 18 in (457 mm). A limited group of special tongs are available, contact Miller Service Parts.
- Tong throat-height dimension for standard 90° and 45° tongs is 4-1/4 in (108 mm). Throat length is measured from the center of the spot tips to the front water hose connection on the tong.
- One set of tips is supplied with each set of tongs.
- Tips are made of RWMA Class 2 alloy.
- Maximum welding capabilities are obtained with minimum tong length.
- MT = Morse Taper
No. 1 Morse Taper diameter = 1/2 inch
No. 2 Morse Taper diameter = 5/8 inch



TIG Connectors

A-150/A-200 1-Piece Power Cable Connectors



194722 / 194723
50 mm Dinse-style gas thru for one-piece air-cooled torch.



195378 / 195379
50 mm Dinse-style for one-piece air-cooled torch.



105Z57
Power cable adapter for one-piece A-150 torch.



45V62
Power cable adapter for one-piece A-200 torch.

A-150/A-200 2-Piece Power Cable Connector



129527
50 mm Dinse-style for two-piece cable air-cooled torch.

W-225 Power Cable Connectors



195380
50 mm Dinse-style gas thru with gas and water return lines for water-cooled torch.



195377
50 mm Dinse-style with water return line for water-cooled torch.



45V11
Power cable adapter for water-cooled torch.



225028
50 mm thread lock-style for water-cooled torch.

| Machines | Connection Type | A-150 Power Cable Connector | | A-200 Power Cable Connector | | W-225 Power Cable Connector |
|--|-----------------------|-----------------------------|---------|-----------------------------|---------|-----------------------------|
| | | 1-Piece | 2-Piece | 1-Piece | 2-Piece | |
| TIG Machines | | | | | | |
| Syncrowave® 200/210 | 50 mm Dinse, Gas Thru | 194722 | 129527* | 194723 | 129527* | 195380 |
| Syncrowave® 250 DX/350 DX (Dinse) | 50 mm Dinse | 195378 | 129527 | 195379 | 129527 | 195377 |
| Syncrowave® 250 DX/350 DX (Stud) | 1/2 in Stud | 105Z57 | N/A | 45V62 | N/A | 45V11 |
| Maxstar® 150 STL/STH | 25 mm Dinse, Gas Thru | 273483 | 127836* | N/A | N/A | N/A |
| Dynasty® 200/350, Maxstar® 200/350 | 50 mm Dinse | 195378 | 129527 | 195379 | 129527 | 195377 |
| Dynasty® 700, Maxstar® 700 | 50 mm Thread Lock | N/A | N/A | N/A | N/A | 225028 |
| Multiprocess Machines | | | | | | |
| Multimatic™ 200 | 25 mm Dinse, Gas Thru | 273483 | 127836* | N/A | N/A | N/A |
| Dimension™ 302/452/NT 450/652 | 1/2 in Stud | 105Z57 | N/A | 45V62 | N/A | 45V11 |
| Pipeworx | 1/2 in Stud | 105Z57 | N/A | 45V62 | N/A | 45V11 |
| XMT® 304/350 | 50 mm Dinse | 195378 | 129527 | 195379 | 129527 | 195377 |
| XMT® 450 | 1/2 in Stud | 105Z57 | N/A | 45V62 | N/A | 45V11 |
| Engine-Driven Machines | | | | | | |
| Most Big Blue®, Trailblazer®, Bobcat®, Blue Star®, and Wildcat® models | 1/2 in Stud | 105Z57 | N/A | 45V62 | N/A | 45V11 |
| Big Blue® 450 Duo CST | 50 mm Dinse | 195378 | 129527 | 195379 | 129527 | 195377 |
| General Reference | | | | | | |
| | 25 mm Dinse, Gas Thru | 273483 | N/A | N/A | N/A | N/A |
| | 50 mm Dinse | 195378 | 129527 | 129527 | 195379 | 195377 |
| | 50 mm Dinse, Gas Thru | 194722 | N/A | N/A | 194723 | 195380 |
| | 50 mm Thread Lock | N/A | N/A | N/A | N/A | 225028 |
| | 1/2 in Stud | 105Z57 | N/A | N/A | 45V62 | 45V11 |
| Other Adapter | | | | | | |
| | Stud to Dinse Adapter | 232728 | N/A | 232728 | N/A | 232728 |

*Two-piece power cable connector is not gas thru.

TIG TORCHES

Weldcraft® A-125 Series Formerly WP-9 Series

Hand-Held Air-Cooled
Service Parts/Consumables



A-125
(WP-9)

Additional Torch Models



Note: Torches delivered may vary slightly from images shown.

| Models | | 1-Piece Power Cable Standard Rubber | | 2-Piece Power Cable Rubber | |
|-----------|------------------|--|---------------|-------------------------------|---------------|
| Old Model | New Name | 12.5 ft (3.8 m) | 25 ft (7.6 m) | 12.5 ft (3.8 m) | 25 ft (7.6 m) |
| WP-9 | A-125 | WP-9-12-R | WP-9-25-R | WP-9-12-2 | WP-9-25-2 |
| WP-9V | A-125 Valve | WP-9V-12-R | WP-9V-25-R | WP-9V-12-2 | WP-9V-25-2 |
| WP-9F | A-125 Flex | WP-9F-12-R | WP-9F-25-R | WP-9F-12-2 | WP-9F-25-2 |
| WP-9FV | A-125 Flex Valve | WP-9FV-12-R | WP-9FV-25-R | WP-9FV-12-2 | WP-9FV-25-2 |
| WP-9P | A-125 Pencil | WP-9P-12-R | WP-9P-25-R | — | — |

V= Valve F=Flex FV=Flex Valve P=Pencil

Torch packages include torch body, handle, power cable, and long back cap (excluding the A-125 Pencil model).

| Torch Bodies | | Valves | | Handles | |
|--------------------------|---------|--------|----------------|---------|---------|
| A-125 | WP-9 | — | — | Ribbed | H-100R |
| A-125 Valve | WP-9V | VS-2 | — | Knurled | H-100 |
| Torch Bodies Optional | | | Flex Head ONLY | | |
| A-125 Flex | WP-9F | — | 9F | Ribbed | 105Z55R |
| A-125 Flex Valve | WP-9FV | VS-2 | 9F | Knurled | 105Z55 |
| A-125 Redhead Flex | WP-R9F | — | R9F | — | — |
| A-125 Redhead Flex Valve | WP-R9FV | VS-2 | R9F | — | — |

| Power Cables | | | | | |
|----------------------|---------------|-----------------|---------------|-----------------|---------------|
| Rubber | | 2-Piece | | Mono Flex | |
| 12.5 ft (3.8 m) | 25 ft (7.6 m) | 12.5 ft (3.8 m) | 25 ft (7.6 m) | 12.5 ft (3.8 m) | 25 ft (7.6 m) |
| 57Y01R | 57Y03R | 57Y01-2 | 57Y03-2 | 57Y01MF | 57Y03MF |
| Replacement Gas Hose | | | | | |
| — | — | 45V09R | 45V10R | — | — |

#AK1C Accessory Kit

Includes one long back cap, two collets (one collet per size: .040, 1/16), two collet bodies (one collet body per size: .040, 1/16), three alumina nozzles (one nozzle per size: 4, 5, 6), and two 7-inch 2% ceriated tungsten electrodes (one electrode per size: .040, 1/16).



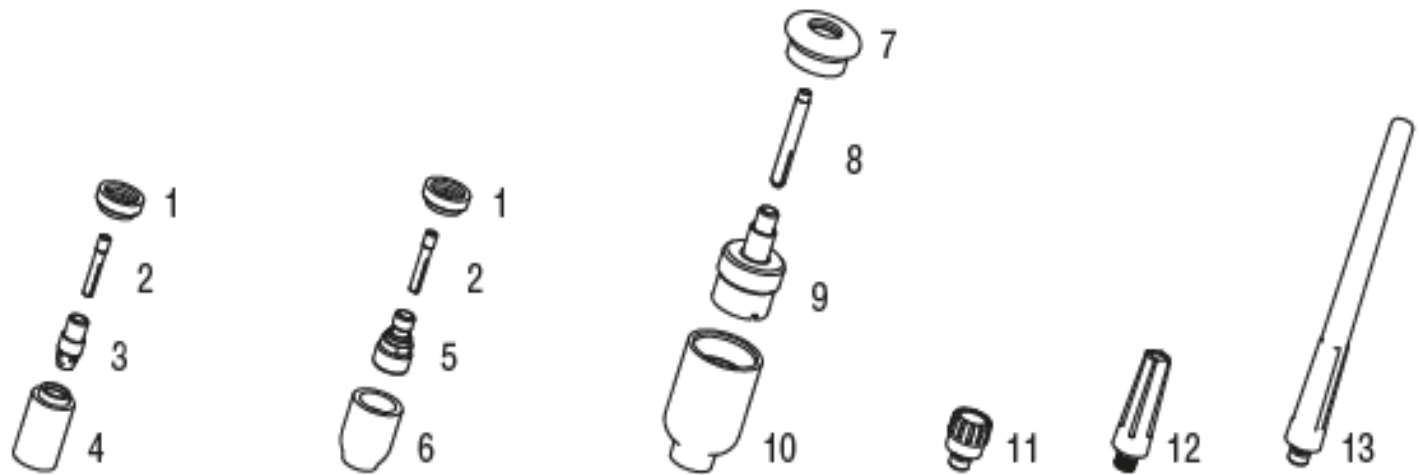
Cable Covers

#WC-3-10
10 ft (3 m)
#WC-3-22
22 ft (6.7 m)
#WC-3-48
48 ft (14.6 m)



Extension Kit

#EK-2-25-R 25 ft (7.6 m), Rubber



Consumables

Non-Gas Lens

| Electrode Size - inch (mm) | .020 (0.5) | | .040 (1.0) | | 1/16 (1.6) | | 3/32 (2.4) | | 1/8 (3.2) |
|-----------------------------|------------|---------|------------|---------|------------|---------|------------|----------|-----------|
| 1 Insulator (required) | 598882 | | 598882 | | 598882 | | 598882 | | 598882 |
| 2 Collet | 13N20 | | 13N21 | | 13N22 | | 13N23 | | 13N24 |
| 3 Collet Body | 13N25 | | 13N26 | | 13N27 | | 13N28 | | 13N29 |
| Nozzle Size - size # (inch) | 3 (3/16) | 4 (1/4) | 5 (5/16) | 6 (3/8) | 7 (7/16) | 8 (1/2) | 10 (5/8) | 12 (3/4) | Short |
| 4 Alumina | — | 13N08 | 13N09 | 13N10 | 13N11 | 13N12 | 13N13 | — | — |
| * Lava | — | 13N14 | 13N15 | 13N16 | 13N17 | 13N18 | 13N19 | — | — |
| * Long Lava | 796F70 | 796F71 | 796F72 | 796F73 | — | — | — | — | — |
| * X-Long Lava | 796F74 | 796F75 | 796F76 | 796F77 | — | — | — | — | — |

Gas Lens

| Electrode Size - inch (mm) | .020 (0.5) | | .040 (1.0) | | 1/16 (1.6) | | 3/32 (2.4) | | 1/8 (3.2) |
|-----------------------------|------------|---------|------------|---------|------------|---------|------------|----------|-----------|
| 1 Insulator (required) | 598882 | | 598882 | | 598882 | | 598882 | | 598882 |
| 2 Collet | 13N20 | | 13N21 | | 13N22 | | 13N23 | | 13N24 |
| 5 Gas Lens | 45V41 | | 45V42 | | 45V43 | | 45V44 | | 45V45 |
| Nozzle Size - size # (inch) | 3 (3/16) | 4 (1/4) | 5 (5/16) | 6 (3/8) | 7 (7/16) | 8 (1/2) | 10 (5/8) | 12 (3/4) | Short |
| 6 Alumina Gas Lens | — | 53N58 | 53N59 | 53N60 | 53N61 | 53N61S | — | — | — |

Large Diameter Gas Lens

| Electrode Size - inch (mm) | .020 (0.5) | | .040 (1.0) | | 1/16 (1.6) | | 3/32 (2.4) | | 1/8 (3.2) |
|-----------------------------|------------|---------|------------|----------|------------|----------|------------|----------|-----------|
| 7 Insulator (required) | 54N63-20 | | 54N63-20 | | 54N63-20 | | 54N63-20 | | 54N63-20 |
| 8 Collet | 13N20L | | 13N21L | | 13N22L | | 13N23L | | 13N24L |
| 9 Large Diameter Gas Lens | 45V0204S | | 45V0204S | | 45V116S | | 45V64S | | 995795S |
| Nozzle Size - size # (inch) | 3 (3/16) | 4 (1/4) | 5 (5/16) | 6 (3/8) | 7 (7/16) | 8 (1/2) | 10 (5/8) | 12 (3/4) | Short |
| 10 Large Dia. Gas Lens | — | — | — | 57N75 | — | 57N74 | 53N88 | 53N87 | 53N89 |
| * Large Dia. Gas Lens-L | — | — | — | 57N75L | — | 57N74L | 53N88L | 53N87L | — |
| * Large Dia. Gas Lens-XL | — | — | — | 57N75XL | — | 57N74XL | 53N88XL | 53N87XL | — |
| * Large Dia. Gas Lens-XXL | — | — | — | 57N75XXL | — | 57N74XXL | 53N88XXL | 53N87XXL | — |

Back Caps

| | | |
|----------------|-----------------|---------------|
| 11 Short 41V33 | 12 Medium 41V35 | 13 Long 41V24 |
|----------------|-----------------|---------------|

*Not shown.

TIG TORCHES

Weldcraft® A-150 Series Formerly WP-17 Series

Hand-Held Air-Cooled
Service Parts/Consumables



A-150
(WP-17)

Additional Torch Models



A-150 Flex
(WP-17F)

A-150 Flex Valve
(WP-17FV)



A-150 Flex
Redhead
(WP-R17F)

A-150 Flex
Valve Redhead
(WP-R17FV)



A-150 Valve
(WP-17V)

A-150 PSH*
(WP-17-PSH)

A-150 Valve PSH*
(WP-17V-PSH)

Note: Torches delivered may vary slightly from images shown.

| Models | | 1-Piece Power Cable Standard Rubber | | 1-Piece Power Cable Mono-Flex™ | | 2-Piece Power Cable Rubber | |
|------------|---------------------------|--|-----------------|-----------------------------------|---------------|----------------------------|-----------------|
| Old Model | New Name | 12.5 ft (3.8 m) | 25 ft (7.6 m) | 12.5 ft (3.8 m) | 25 ft (7.6 m) | 12.5 ft (3.8 m) | 25 ft (7.6 m) |
| WP-17 | A-150 | WP-17-12-R | WP-17-25-R | WP-17-12-MF | WP-17-25-MF | WP-17-12-2 | WP-17-25-2 |
| WP-17V | A-150 Valve | WP-17V-12-R | WP-17V-25-R | — | WP-17V-25-MF | WP-17V-12-2 | WP-17V-25-2 |
| WP-17F | A-150 Flex | WP-17F-12-R | WP-17F-25-R | — | — | WP-17F-12-2 | WP-17F-25-2 |
| WP-17FV | A-150 Flex Valve | WP-17FV-12-R | WP-17FV-25-R | — | — | WP-17FV-12-2 | WP-17FV-25-2 |
| WP-R17FV | A-150 Flex Valve Redhead™ | WP-R17FV-12-R | WP-R17FV-25-R | — | — | — | — |
| WP-17-PSH | A-150 PSH | — | WP-17-25-R-PSH | — | — | WP-17-12-2-PSH | WP-17-25-2-PSH |
| WP-17V-PSH | A-150 Valve PSH | WP-17V-12-R-PSH | WP-17V-25-R-PSH | — | — | — | WP-17V-25-2-PSH |

V= Valve F=Flex FV=Flex Valve PSH=Positive Stop Handle (threaded handle); Torch packages include torch body, handle, power cable, and long back cap.

| Torch Bodies | | Valves | | Handles | |
|--------------------------|---------------|-----------------|---------------|-----------------|---------------|
| A-150 | WP-17 | — | — | Ribbed | H-100R |
| A-150 Valve | WP-17V | VS-2 | — | Knurled | H-100 |
| Torch Bodies Optional | | Flex Head ONLY | | | |
| A-150 Flex | WP-17F | — | 17F | Ribbed | 105Z55R |
| A-150 Flex Valve | WP-17FV | VS-2 | 17F | Knurled | 105Z55 |
| A-150 Redhead Flex | WP-R17F | — | R17F | | |
| A-150 Redhead Flex Valve | WP-R17FV | VS-2 | R17F | | |
| A-150 PSH | WP-17-PSH | — | — | | |
| A-150 Valve PSH | WP-17V-PSH | VS-2 | — | | |
| Power Cables | | | | | |
| Rubber | | 2-Piece | | Mono Flex | |
| 12.5 ft (3.8 m) | 25 ft (7.6 m) | 12.5 ft (3.8 m) | 25 ft (7.6 m) | 12.5 ft (3.8 m) | 25 ft (7.6 m) |
| 57Y01R | 57Y03R | 57Y01-2 | 57Y03-2 | 57Y01MF | 57Y03MF |
| Replacement Gas Hose | | | | | |
| — | — | 45V09R | 45V10R | — | — |

#AK2C Accessory Kit

Includes one short back cap, three collets (one collet per size: .040, 1/16, 3/32), three collet bodies (one collet body per size: .040, 1/16, 3/32), three alumina nozzles (one nozzle per size: 4, 5, 6), and three 7-inch 2% ceriated tungsten electrodes (one electrode per size: .040, 1/16, 3/32).



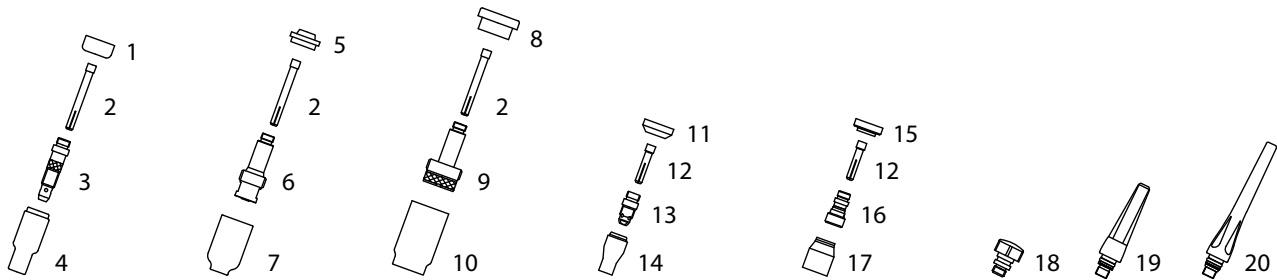
Cable Covers

#WC-3-10 10 ft (3 m)
#WC-3-22 22 ft (6.7 m)
#WC-3-48 48 ft (14.6 m)



Extension Kit

#EK-2-25-R 25 ft (7.6 m), Rubber



Consumables

Non-Gas Lens

| Electrode Size - inch (mm) | .020 (0.5) | .040 (1.0) | 1/16 (1.6) | | 3/32 (2.4) | | 1/8 (3.2) | |
|-----------------------------|------------|------------|------------|----------|------------|----------|-----------|-------|
| 1 Insulator (required) | 18CG | 18CG | 18CG | | 18CG | | 18CG | |
| 2 Collet | 10N21 | 10N22 | 10N23 | | 10N24 | | 10N25 | |
| 3 Collet Body | 10N29 | 10N30 | 10N31 | | 10N32 | | 10N28 | |
| Nozzle Size - size # (inch) | 4 (1/4) | 5 (5/16) | 6 (3/8) | 7 (7/16) | 8 (1/2) | 10 (5/8) | 12 (3/4) | Short |
| 4 Alumina | 10N50 | 10N49 | 10N48 | 10N47 | 10N46 | 10N45 | 10N44 | — |
| * Long Alumina | — | 10N49L | 10N48L | 10N47L | — | — | — | — |
| * Lava | 105Z43 | 105Z42 | 105Z44 | 105Z45 | 08N78 | 08N79 | 08N80 | — |
| * Long Lava | 12N03 | 105Z60 | 12N02 | 105Z61 | — | — | — | — |

Gas Lens

| Electrode Size - inch (mm) | .020 (0.5) | .040 (1.0) | 1/16 (1.6) | | 3/32 (2.4) | | 1/8 (3.2) | |
|-----------------------------|------------|------------|------------|----------|------------|----------|-----------|-------|
| 5 Insulator (required) | 54N01 | 54N01 | 54N01 | | 54N01 | | 54N01 | |
| 2 Collet | 10N21 | 10N22 | 10N23 | | 10N24 | | 10N25 | |
| 6 Gas Lens | 45V29 | 45V24 | 45V25 | | 45V26 | | 45V27 | |
| Nozzle Size - size # (inch) | 4 (1/4) | 5 (5/16) | 6 (3/8) | 7 (7/16) | 8 (1/2) | 10 (5/8) | 12 (3/4) | Short |
| 7 Alumina Gas Lens | 54N18 | 54N17 | 54N16 | 54N15 | 54N14 | — | — | 54N19 |
| * Long Gas Lens | — | 54N17L | 54N16L | 54N15L | 54N14L | — | — | — |

Large Diameter Gas Lens

| Electrode Size - inch (mm) | .020 (0.5) | .040 (1.0) | 1/16 (1.6) | | 3/32 (2.4) | | 1/8 (3.2) | |
|-----------------------------|------------|------------|------------|----------|------------|----------|-----------|-------|
| 8 Insulator (required) | 54N63 | 54N63 | 54N63 | | 54N63 | | 54N63 | |
| 2 Collet | 10N21 | 10N22 | 10N23 | | 10N24 | | 10N25 | |
| 9 Large Diameter Gas Lens | 45V0204 | 45V0204 | 45V116 | | 45V64 | | 995795 | |
| Nozzle Size - size # (inch) | 4 (1/4) | 5 (5/16) | 6 (3/8) | 7 (7/16) | 8 (1/2) | 10 (5/8) | 12 (3/4) | Short |
| 10 Large Dia. Gas Lens | — | — | 57N 75 | — | 57N74 | 53N88 | 53N87 | 53N89 |
| * Large Dia. Gas Lens-L | — | — | 57N75L | — | 57N74L | 53N88L | 53N87L | — |
| * Large Dia. Gas Lens-XL | — | — | 57N75XL | — | 57N74XL | 53N88XL | 53N87XL | — |
| * Large Dia. Gas Lens-XXL | — | — | 57N75XXL | — | 57N74XXL | 53N88XXL | 53N87XXL | — |

Stubby Non-Gas Lens

| Electrode Size - inch (mm) | .020 (0.5) | .040 (1.0) | 1/16 (1.6) | | 3/32 (2.4) | | 1/8 (3.2) | |
|-----------------------------|------------|------------|------------|----------|------------|----------|-----------|-------|
| 11 Insulator (required) | 18CG20 | 18CG20 | 18CG20 | | 18CG20 | | 18CG20 | |
| 12 Stubby Collet | — | 10N22S | 10N23S | | 10N24S | | 10N25S | |
| 13 Stubby Collet Body | 17CB20 | 17CB20 | 17CB20 | | 17CB20 | | 17CB20 | |
| Nozzle Size - size # (inch) | 4 (1/4) | 5 (5/16) | 6 (3/8) | 7 (7/16) | 8 (1/2) | 10 (5/8) | 12 (3/4) | Short |
| 14 Stubby Alumina | 13N08 | 13N09 | 13N10 | 13N11 | 13N12 | 13N13 | — | — |

Stubby Gas Lens

| Electrode Size - inch (mm) | .020 (0.5) | .040 (1.0) | 1/16 (1.6) | | 3/32 (2.4) | | 1/8 (3.2) | |
|-----------------------------|------------|------------|------------|----------|------------|----------|-----------|-------|
| 15 Insulator (required) | 17GLG20 | 17GLG20 | 17GLG20 | | 17GLG20 | | 17GLG20 | |
| 12 Stubby Collet | — | 10N22S | 10N23S | | 10N24S | | 10N25S | |
| 16 Stubby Gas Lens | — | 17GL040 | 17GL116 | | 17GL332 | | 17GL18 | |
| Nozzle Size - size # (inch) | 4 (1/4) | 5 (5/16) | 6 (3/8) | 7 (7/16) | 8 (1/2) | 10 (5/8) | 12 (3/4) | Short |
| 17 Alumina Gas Lens | 53N58 | 53N59 | 53N60 | 53N61 | 53N61S | — | — | — |

Back Caps

| | | | |
|----------------|----------------|---------------|--|
| 18 Short 57Y04 | 19 Medium 300M | 20 Long 57Y02 | 18-7 Insulator Back Cap (not pictured) |
|----------------|----------------|---------------|--|

*Not shown.

TIG TORCHES

Weldcraft® A-200 Series Formerly WP-26 Series

Hand-Held Air-Cooled
Service Parts/Consumables



A-200
(WP-26)

Additional Torch Models



A-200 Flex
(WP-26F)



A-200 Flex Valve
(WP-26FV)



A-200 Valve
(WP-26V)



A-200 Flex
Redhead
(WP-R26F)



A-200 Flex Valve
Redhead
(WP-R26FV)

Note: Torches delivered may vary slightly from images shown.

| Models | | 1-Piece Power Cable Standard Rubber | | 2-Piece Power Cable Rubber |
|-----------|------------------|--|---------------|-------------------------------|
| Old Model | New Name | 12.5 ft (3.8 m) | 25 ft (7.6 m) | 25 ft (7.6 m) |
| WP-26 | A-200 | WP-26-12-R | WP-26-25-R | WP-26-25-2 |
| WP-26V | A-200 Valve | WP-26V-12-R | WP-26V-25-R | WP-26V-25-2 |
| WP-26F | A-200 Flex | WP-26F-12-R | WP-26F-25-R | WP-26F-25-2 |
| WP-26FV | A-200 Flex Valve | WP-26FV-12-R | WP-26FV-25-R | WP-26FV-25-2 |

V= Valve F=Flex FV=Flex Valve

Torch packages include torch body, handle, power cable, and long back cap.

#AK3C Accessory Kit

Includes one short back cap, three collets (one collet per size: 1/16, 3/32, 1/8), three collet bodies (one collet body per size: 1/16, 3/32, 1/8), three alumina nozzles (one nozzle per size: 5, 6, 8), and three 7-inch 2% ceriated tungsten electrodes (one electrode per size: 1/16, 3/32, 1/8).



Cable Covers

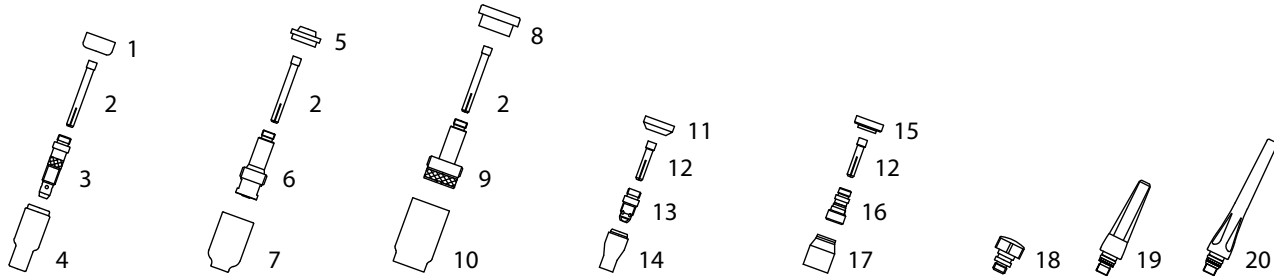
#WC-3-10 10 ft (3 m)

#WC-3-22 22 ft (6.7 m)

Extension Kit

#EK325R 25 ft (7.6 m), Rubber

| Torch Bodies | | Valves | Handles | |
|--------------------------|---------------|--------|-----------------|---------------|
| A-200 | WP-26 | — | Ribbed | H-200R |
| A-200 Valve | WP-26V | VS-1 | Knurled | H-200 |
| Torch Bodies Optional | | | | |
| A-200 Flex | WP-26F | — | Ribbed | 10N15R |
| A-200 Flex Valve | WP-26FV | VS-1 | Knurled | 10N15 |
| A-200 Redhead Flex | WP-R26F | — | | |
| A-200 Redhead Flex Valve | WP-R26FV | VS-1 | | |
| Power Cables | | | | |
| Rubber | 1-Piece | | 2-Piece | |
| 12.5 ft (3.8 m) | 25 ft (7.6 m) | | 12.5 ft (3.8 m) | 25 ft (7.6 m) |
| 46V28R | 46V30R | | 46V28-2 | 46V30-2 |
| Replacement Gas Hose | | | | |
| — | 46V30R | | 45V05R | 45V10R |



Consumables

Non-Gas Lens

| Electrode Size - inch (mm) | .020 (0.5) | .040 (1.0) | 1/16 (1.6) | | | 3/32 (2.4) | 1/8 (3.2) | 5/32 (4.0) |
|-----------------------------|------------|------------|------------|----------|---------|------------|-----------|------------|
| 1 Insulator (required) | 18CG | 18CG | 18CG | | | 18CG | 18CG | 18CG |
| 2 Collet | 10N21 | 10N22 | 10N23 | | | 10N24 | 10N25 | 54N20 |
| 3 Collet Body | 10N29 | 10N30 | 10N31 | | | 10N32 | 10N28 | 406488 |
| Nozzle Size - size # (inch) | 4 (1/4) | 5 (5/16) | 6 (3/8) | 7 (7/16) | 8 (1/2) | 10 (5/8) | 12 (3/4) | Short |
| 4 Alumina | 10N50 | 10N49 | 10N48 | 10N47 | 10N46 | 10N45 | 10N44 | — |
| * Long Alumina | — | 10N49L | 10N48L | 10N47L | — | — | — | — |
| * Lava | 105Z43 | 105Z42 | 105Z44 | 105Z45 | 08N78 | 08N79 | 08N80 | — |
| * Long Lava | 12N03 | 105Z60 | 12N02 | 105Z61 | — | — | — | — |

Gas Lens

| Electrode Size - inch (mm) | .020 (0.5) | .040 (1.0) | 1/16 (1.6) | | | 3/32 (2.4) | 1/8 (3.2) | 5/32 (4.0) |
|-----------------------------|------------|------------|------------|----------|---------|------------|-----------|------------|
| 5 Insulator (required) | 54N01 | 54N01 | 54N01 | | | 54N01 | 54N01 | 54N01 |
| 2 Collet | 10N21 | 10N22 | 10N23 | | | 10N24 | 10N25 | 54N20 |
| 6 Gas Lens | 45V29 | 45V24 | 45V25 | | | 45V26 | 45V27 | 45V28 |
| Nozzle Size - size # (inch) | 4 (1/4) | 5 (5/16) | 6 (3/8) | 7 (7/16) | 8 (1/2) | 10 (5/8) | 12 (3/4) | Short |
| 7 Alumina Gas Lens | 54N18 | 54N17 | 54N16 | 54N15 | 54N14 | — | — | 54N19 |
| * Long Gas Lens | — | 54N17L | 54N16L | 54N15L | 54N14L | — | — | — |

Large Diameter Gas Lens

| Electrode Size - inch (mm) | .020 (0.5) | .040 (1.0) | 1/16 (1.6) | | | 3/32 (2.4) | 1/8 (3.2) | 5/32 (4.0) |
|-----------------------------|------------|------------|------------|----------|----------|------------|-----------|------------|
| 8 Insulator (required) | 54N63 | 54N63 | 54N63 | | | 54N63 | 54N63 | 54N63 |
| 2 Collet | 10N21 | 10N22 | 10N23 | | | 10N24 | 10N25 | 54N20 |
| 9 Large Diameter Gas Lens | 45V0204 | 45V0204 | 45V116 | | | 45V64 | 995795 | 45V63 |
| Nozzle Size - size # (inch) | 4 (1/4) | 5 (5/16) | 6 (3/8) | 7 (7/16) | 8 (1/2) | 10 (5/8) | 12 (3/4) | Short |
| 10 Large Dia. Gas Lens | — | — | 57N75 | — | 57N74 | 53N88 | 53N87 | 53N89 |
| * Large Dia. Gas Lens-L | — | — | 57N75L | — | 57N74L | 53N88L | 53N87L | — |
| * Large Dia. Gas Lens-XL | — | — | 57N75XL | — | 57N74XL | 53N88XL | 53N87XL | — |
| * Large Dia. Gas Lens-XXL | — | — | 57N75XXL | — | 57N74XXL | 53N88XXL | 53N87XXL | — |

Stubby Non-Gas Lens

| Electrode Size - inch (mm) | .020 (0.5) | .040 (1.0) | 1/16 (1.6) | | | 3/32 (2.4) | 1/8 (3.2) | |
|-----------------------------|------------|------------|------------|----------|---------|------------|-----------|-------|
| 11 Insulator (required) | 18CG20 | 18CG20 | 18CG20 | | | 18CG20 | 18CG20 | |
| 12 Stubby Collet | — | 10N22S | 10N23S | | | 10N24S | 10N25S | |
| 13 Stubby Collet Body | 17CB20 | 17CB20 | 17CB20 | | | 17CB20 | 17CB20 | |
| Nozzle Size - size # (inch) | 4 (1/4) | 5 (5/16) | 6 (3/8) | 7 (7/16) | 8 (1/2) | 10 (5/8) | 12 (3/4) | Short |
| 14 Stubby Alumina | 13N08 | 13N09 | 13N10 | 13N11 | 13N12 | 13N13 | — | — |

Stubby Gas Lens

| Electrode Size - inch (mm) | .020 (0.5) | .040 (1.0) | 1/16 (1.6) | | | 3/32 (2.4) | 1/8 (3.2) | |
|-----------------------------|------------|------------|------------|----------|---------|------------|-----------|-------|
| 15 Insulator (required) | 17GLG20 | 17GLG20 | 17GLG20 | | | 17GLG20 | 17GLG20 | |
| 12 Stubby Collet | — | 10N22S | 10N23S | | | 10N24S | 10N25S | |
| 16 Stubby Gas Lens | — | 17GL040 | 17GL118 | | | 17GL332 | 17GL18 | |
| Nozzle Size - size # (inch) | 4 (1/4) | 5 (5/16) | 6 (3/8) | 7 (7/16) | 8 (1/2) | 10 (5/8) | 12 (3/4) | Short |
| 17 Alumina Gas Lens | 53N58 | 53N59 | 53N60 | 53N61 | 53N61S | — | — | — |

Back Caps

| | | | |
|----------------|----------------|---------------|--|
| 18 Short 57Y04 | 19 Medium 300M | 20 Long 57Y02 | 18-7 Insulator Back Cap (not pictured) |
|----------------|----------------|---------------|--|

*Not shown.

TIG TORCHES

Weldcraft® W-250 Series Formerly WP-20 Series

Hand-Held Water-Cooled
Service Parts/Consumables



W-250
(WP-20)

Additional Torch Models



W-250 Valve
(WP-20V)

Note: Torches delivered may vary slightly from images shown.

| Models | | Braided Rubber | | Vinyl |
|-----------|-------------|-----------------|---------------|---------------|
| Old Model | New Name | 12.5 ft (3.8 m) | 25 ft (7.6 m) | 25 ft (7.6 m) |
| WP-20 | W-250 | WP-20-12-R | WP-20-25-R | WP-20-25 |
| WP-20V | W-250 Valve | — | — | WP-20V-25 |

V= Valve

Torch packages include torch body, handle, power cable, long back cap, gas hose and water hose.

#AK4C Accessory Kit

Includes one long back cap, three collets (one collet per size: 1/16, 3/32, 1/8), three collet bodies (one collet body per size: 1/16, 3/32, 1/8), three alumina nozzles (one nozzle per size: 5, 6, 7), and three 7-inch 2% ceriated tungsten electrodes (one electrode per size: 1/16, 3/32, 1/8).



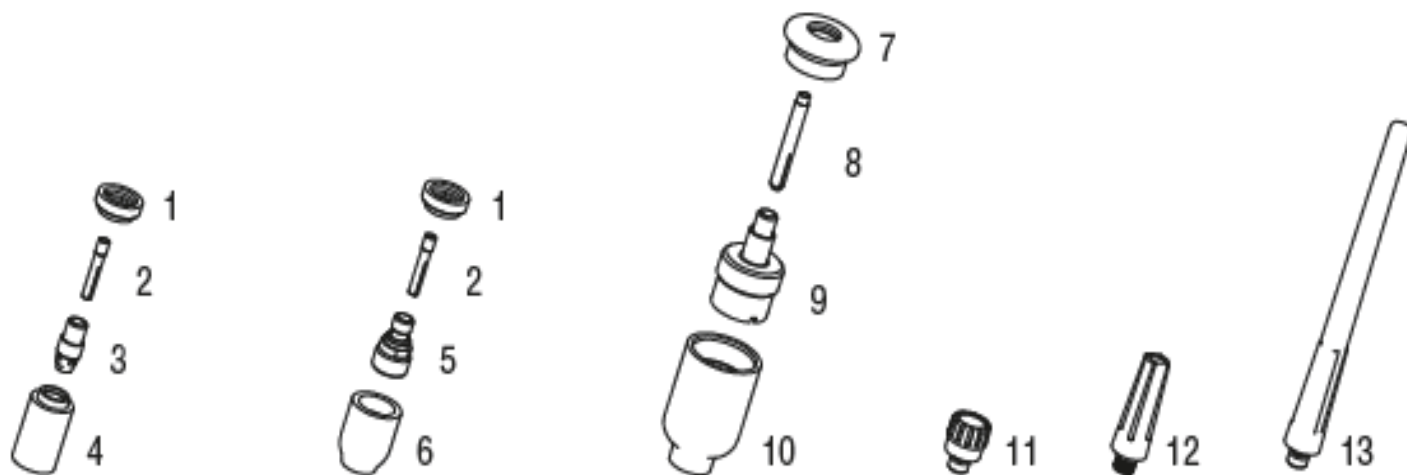
| Torch Bodies | | Valves | Handles | |
|--------------|--------|--------|---------|--------|
| W-250 | WP-20 | — | Ribbed | 53N06 |
| W-250 Valve | WP-20V | VS-2 | Knurled | 53N06R |

| Power Cables | | | | |
|--------------|-----------------|---------------|-----------------|---------------|
| | Vinyl | | Braided | |
| | 12.5 ft (3.8 m) | 25 ft (7.6 m) | 12.5 ft (3.8 m) | 25 ft (7.6 m) |
| Power Cable | 45V03 | 45V04 | 45V03R | 45V04RR |
| Water Hose | 45V07 | 45V08 | 45V07R | 45V08RBB |
| Gas Hose | 45V09 | 45V10 | 45V09R | 45V10R |



Cable Covers

#WC-3-10 10 ft (3 m)
#WC-3-22 22 ft (6.7 m)



Consumables

Non-Gas Lens

| Electrode Size - inch (mm) | .020 (0.5) | | .040 (1.0) | | 1/16 (1.6) | | 3/32 (2.4) | | 1/8 (3.2) |
|-----------------------------|------------|---------|------------|---------|------------|---------|------------|----------|-----------|
| 1 Insulator (required) | 598882 | | 598882 | | 598882 | | 598882 | | 598882 |
| 2 Collet | 13N20 | | 13N21 | | 13N22 | | 13N23 | | 13N24 |
| 3 Collet Body | 13N25 | | 13N26 | | 13N27 | | 13N28 | | 13N29 |
| Nozzle Size - size # (inch) | 3 (3/16) | 4 (1/4) | 5 (5/16) | 6 (3/8) | 7 (7/16) | 8 (1/2) | 10 (5/8) | 12 (3/4) | Short |
| 4 Alumina | — | 13N08 | 13N09 | 13N10 | 13N11 | 13N12 | 13N13 | — | — |
| * Lava | — | 13N14 | 13N15 | 13N16 | 13N17 | 13N18 | 13N19 | — | — |
| * Long Lava | 796F70 | 796F71 | 796F72 | 796F73 | — | — | — | — | — |
| * X-Long Lava | 796F74 | 796F75 | 796F76 | 796F77 | — | — | — | — | — |

Gas Lens

| Electrode Size - inch (mm) | .020 (0.5) | | .040 (1.0) | | 1/16 (1.6) | | 3/32 (2.4) | | 1/8 (3.2) |
|-----------------------------|------------|---------|------------|---------|------------|---------|------------|----------|-----------|
| 1 Insulator (required) | 598882 | | 598882 | | 598882 | | 598882 | | 598882 |
| 2 Collet | 13N20 | | 13N21 | | 13N22 | | 13N23 | | 13N24 |
| 5 Gas Lens | 45V41 | | 45V42 | | 45V43 | | 45V44 | | 45V45 |
| Nozzle Size - size # (inch) | 3 (3/16) | 4 (1/4) | 5 (5/16) | 6 (3/8) | 7 (7/16) | 8 (1/2) | 10 (5/8) | 12 (3/4) | Short |
| 6 Alumina Gas Lens | — | 53N58 | 53N59 | 53N60 | 53N61 | 53N61S | — | — | — |

Large Diameter Gas Lens

| Electrode Size - inch (mm) | .020 (0.5) | | .040 (1.0) | | 1/16 (1.6) | | 3/32 (2.4) | | 1/8 (3.2) |
|-----------------------------|------------|---------|------------|----------|------------|----------|------------|----------|-----------|
| 7 Insulator (required) | 54N63-20 | | 54N63-20 | | 54N63-20 | | 54N63-20 | | 54N63-20 |
| 8 Collet | 13N20L | | 13N21L | | 13N22L | | 13N23L | | 13N24L |
| 9 Large Diameter Gas Lens | 45V0204S | | 45V0204S | | 45V116S | | 45V64S | | 995795S |
| Nozzle Size - size # (inch) | 3 (3/16) | 4 (1/4) | 5 (5/16) | 6 (3/8) | 7 (7/16) | 8 (1/2) | 10 (5/8) | 12 (3/4) | Short |
| 10 Large Dia. Gas Lens | — | — | — | 57N75 | — | 57N74 | 53N88 | 53N87 | 53N89 |
| * Large Dia. Gas Lens-L | — | — | — | 57N75L | — | 57N74L | 53N88L | 53N87L | — |
| * Large Dia. Gas Lens-XL | — | — | — | 57N75XL | — | 57N74XL | 53N88XL | 53N87XL | — |
| * Large Dia. Gas Lens-XXL | — | — | — | 57N75XXL | — | 57N74XXL | 53N88XXL | 53N87XXL | — |

Back Caps

| | | |
|----------------|-----------------|---------------|
| 11 Short 41V33 | 12 Medium 41V35 | 13 Long 41V24 |
|----------------|-----------------|---------------|

*Not shown.

TIG TORCHES

Weldcraft® W-280 Series

Hand-Held Water-Cooled
Service Parts/Consumables

Formerly WP-280



W-280 Super Cool
(301251)

| Models | | Braided Rubber | | | Braided Rubber with 50 mm Dinse |
|-----------|-------------------|----------------|------------|-------------|---------------------------------|
| Old Model | New Name | 12.5 (3.8 m) | 25 (7.6 m) | 50 (15.2 m) | 25 (7.6 m) |
| WP-280 | W-280 Super Cool™ | 301251012 | 301251025 | 301251050 | 301251001* |

Torch packages include torch body, handle, power cable, long back cap, gas hose and water hose.
*Cable cover included.

| Hose Part # | Description |
|-------------|------------------------------------|
| 269766 | Water Hose 14 ft (4.2m), Braided |
| 269767 | Water Hose 26.5 ft (8.0m), Braided |
| 269769 | Water Hose 51.5 ft (15.7m) Braided |
| 269770 | Gas Hose 13.25 ft (4.0m) Braided |
| 269771 | Gas Hose 25.75 ft (7.8m) Braided |
| 269773 | Gas Hose 50.0 ft (15.2m) Braided |
| 269757 | Power Cable, 12.5 ft (3.8m) |
| 269758 | Power Cable, 25.0 ft (7.6m) |
| 269759 | Power Cable, 50.0 ft (15.2m) |

#AK4C Accessory Kit

Includes one long back cap, three collets (one collet per size: 1/16, 3/32, 1/8), three collet bodies (one collet body per size: 1/16, 3/32, 1/8), three alumina nozzles (one nozzle per size: 5, 6, 7), and three 7-inch 2% ceriated tungsten electrodes (one electrode per size: 1/16, 3/32, 1/8).



Cable Covers

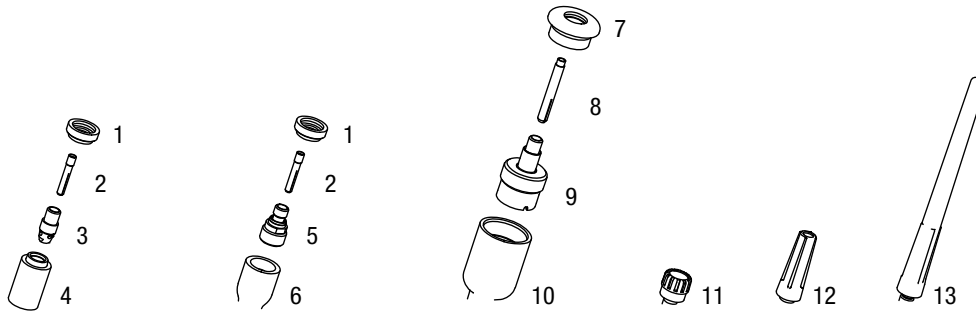
#WC0183 11.75 ft (3.6 m)
for use with 301253012

#WC0182 24.25 ft (7.4 m)
for use with 301253025
and 301253001



Extension Kit

#EK-1-25-R 25 ft (7.6 m), rubber



Weldcraft® W-280 Consumables

Non-Gas Lens

| Electrode Size — inch (mm) | .020 (0.5) | .040 (1.0) | 1/16 (1.6) | | | 3/32 (2.4) | | 1/8 (3.2) | |
|-----------------------------|------------|------------|------------|---------|----------|------------|----------|-----------|-------|
| 1 Insulator (required) | 598882 | 598882 | 598882 | | | 598882 | | 598882 | |
| 2 Collet | 13N20 | 13N21 | 13N22 | | | 13N23 | | 13N24 | |
| 3 Collet Body | 13N25 | 13N26 | 13N27 | | | 13N28 | | 13N29 | |
| Nozzle Size — size # (inch) | 3 (3/16) | 4 (1/4) | 5 (5/16) | 6 (3/8) | 7 (7/16) | 8 (1/2) | 10 (5/8) | 12 (3/4) | Short |
| 4 Alumina | — | 13N08 | 13N09 | 13N10 | 13N11 | 13N12 | 13N13 | — | — |
| * Lava | — | 13N14 | 13N15 | 13N16 | 13N17 | 13N18 | 13N19 | — | — |
| * Long Lava | 796F70 | 796F71 | 796F72 | 796F73 | — | — | — | — | — |
| * X-Long Lava | 796F74 | 796F75 | 796F76 | 796F77 | — | — | — | — | — |

Gas Lens

| Electrode Size — inch (mm) | .020 (0.5) | .040 (1.0) | 1/16 (1.6) | | | 3/32 (2.4) | | 1/8 (3.2) | |
|-----------------------------|------------|------------|------------|---------|----------|------------|----------|-----------|-------|
| 1 Insulator (required) | 598882 | 598882 | 598882 | | | 598882 | | 598882 | |
| 2 Collet | 13N20 | 13N21 | 13N22 | | | 13N23 | | 13N24 | |
| 5 Gas Lens | 45V41 | 45V42 | 45V43 | | | 45V44 | | 45V45 | |
| Nozzle Size — size # (inch) | 3 (3/16) | 4 (1/4) | 5 (5/16) | 6 (3/8) | 7 (7/16) | 8 (1/2) | 10 (5/8) | 12 (3/4) | Short |
| 6 Alumina Gas Lens | — | 53N58 | 53N59 | 53N60 | 53N61 | 53N61S | — | — | — |
| Large Diameter Gas Lens | — | 54N17L | 54N16L | 54N15L | — | — | — | — | — |

Electrode Size — inch (mm)

| 7 Insulator (required) | 54N63-20 | 54N63-20 | 54N63-20 | | | 54N63-20 | | 54N63-20 | |
|-----------------------------|----------|----------|----------|----------|----------|----------|----------|----------|-------|
| 8 Collet | 13N20L | 13N21L | 13N22L | | | 13N23L | | 13N24L | |
| 9 Large Diameter Gas Lens | 45V0204S | 45V0204S | 45V116S | | | 45V64S | | 995795S | |
| Nozzle Size — size # (inch) | 3 (3/16) | 4 (1/4) | 5 (5/16) | 6 (3/8) | 7 (7/16) | 8 (1/2) | 10 (5/8) | 12 (3/4) | Short |
| 10 Large Dia. Gas Lens | — | — | — | 57N75 | — | 57N74 | 53N88 | 53N87 | 53N89 |
| * Large Dia. Gas Lens-L | — | — | — | 57N75L | — | 57N74L | 53N88L | 53N87L | — |
| * Large Dia. Gas Lens-XL | — | — | — | 57N75XL | — | 57N74XL | 53N88XL | 53N87XL | — |
| * Large Dia. Gas Lens-XXL | — | — | — | 57N75XXL | — | 57N74XXL | 53N88XXL | 53N87XXL | — |

Back Caps

11 Short 41V33 12 Medium 41V35 13 Long 41V24

*Not shown.

TIG TORCHES

Weldcraft® W-310 Series **Hand-Held Water-Cooled** Formerly CS310 **Service Parts/Consumables**



W-310
(CS310A)

| Models | | Braided Rubber | | |
|-----------|----------|-----------------|---------------|----------------|
| Old Model | New Name | 12.5 ft (3.8 m) | 25 ft (7.6 m) | 50 ft (15.2 m) |
| CS310A | W-310 | CS310-12 | CS310-25 | CS310-50 |

Torch packages include torch body, handle, power cable, long back cap, gas hose, water hose and cable cover.

| Torch Bodies | | Handles | |
|--------------|--------|----------|---------|
| W-310 | CS310A | D-Handle | CS110-H |

| Power Cables | | | |
|--------------|----------------|--------------|---------------|
| Braided | | | |
| | 12.5 ft (3.8m) | 25 ft (7.6m) | 50 ft (15.2m) |
| Power Cable | 269764 | 269765 | CS310-50PC |
| Water Hose | CS310-12W | CS310-25W | CS310-50W |
| Gas Hose | CS310-12G | CS310-25G | CS310-50G |

#AK4C Accessory Kit

Includes one long back cap, three collets (one collet per size: 1/16, 3/32, 1/8), three collet bodies (one collet body per size: 1/16, 3/32, 1/8), three alumina nozzles (one nozzle per size: 5, 6, 7), and three 7-inch 2% ceriated tungsten electrodes (one electrode per size: 1/16, 3/32, 1/8).

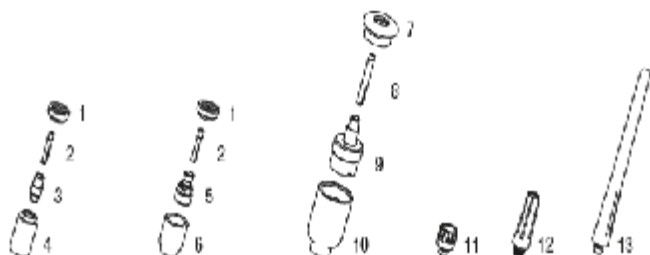


Cable Covers

#WC-3-10 10 ft (3 m)
#WC-3-22 22 ft (6.7 m)
#WC-3-48 48 ft (14.6 m)

Extension Kit

#EK-1-25-R 25 ft (7.6 m), Rubber



Consumables

Non-Gas Lens

| Electrode Size - inch (mm) | .020 (0.5) | | .040 (1.0) | | 1/16 (1.6) | | 3/32 (2.4) | | 1/8 (3.2) |
|-----------------------------|------------|---------|------------|---------|------------|---------|------------|----------|-----------|
| 1 Insulator (required) | 598882 | | 598882 | | 598882 | | 598882 | | 598882 |
| 2 Collet | 13N20 | | 13N21 | | 13N22 | | 13N23 | | 13N24 |
| 3 Collet Body | 13N25 | | 13N26 | | 13N27 | | 13N28 | | 13N29 |
| Nozzle Size - size # (inch) | 3 (3/16) | 4 (1/4) | 5 (5/16) | 6 (3/8) | 7 (7/16) | 8 (1/2) | 10 (5/8) | 12 (3/4) | Short |
| 4 Alumina | — | 13N08 | 13N09 | 13N10 | 13N11 | 13N12 | 13N13 | — | — |
| * Lava | — | 13N14 | 13N15 | 13N16 | 13N17 | 13N18 | 13N19 | — | — |
| * Long Lava | 796F70 | 796F71 | 796F72 | 796F73 | — | — | — | — | — |
| * X-Long Lava | 796F74 | 796F75 | 796F76 | 796F77 | — | — | — | — | — |

Gas Lens

| Electrode Size - inch (mm) | .020 (0.5) | | .040 (1.0) | | 1/16 (1.6) | | 3/32 (2.4) | | 1/8 (3.2) |
|-----------------------------|------------|---------|------------|---------|------------|---------|------------|----------|-----------|
| 1 Insulator (required) | 598882 | | 598882 | | 598882 | | 598882 | | 598882 |
| 2 Collet | 13N20 | | 13N21 | | 13N22 | | 13N23 | | 13N24 |
| 5 Gas Lens | 45V41 | | 45V42 | | 45V43 | | 45V44 | | 45V45 |
| Nozzle Size - size # (inch) | 3 (3/16) | 4 (1/4) | 5 (5/16) | 6 (3/8) | 7 (7/16) | 8 (1/2) | 10 (5/8) | 12 (3/4) | Short |
| 6 Alumina Gas Lens | — | 53N58 | 53N59 | 53N60 | 53N61 | 53N61S | — | — | — |

Large Diameter Gas Lens

| Electrode Size - inch (mm) | .020 (0.5) | | .040 (1.0) | | 1/16 (1.6) | | 3/32 (2.4) | | 1/8 (3.2) |
|-----------------------------|------------|---------|------------|----------|------------|----------|------------|----------|-----------|
| 7 Insulator (required) | 54N63-20 | | 54N63-20 | | 54N63-20 | | 54N63-20 | | 54N63-20 |
| 8 Collet | 13N20L | | 13N21L | | 13N22L | | 13N23L | | 13N24L |
| 9 Large Diameter Gas Lens | 45V0204S | | 45V0204S | | 45V116S | | 45V64S | | 995795S |
| Nozzle Size - size # (inch) | 3 (3/16) | 4 (1/4) | 5 (5/16) | 6 (3/8) | 7 (7/16) | 8 (1/2) | 10 (5/8) | 12 (3/4) | Short |
| 10 Large Dia. Gas Lens | — | — | — | 57N75 | — | 57N74 | 53N88 | 53N87 | 53N89 |
| * Large Dia. Gas Lens-L | — | — | — | 57N75L | — | 57N74L | 53N88L | 53N87L | — |
| * Large Dia. Gas Lens-XL | — | — | — | 57N75XL | — | 57N74XL | 53N88XL | 53N87XL | — |
| * Large Dia. Gas Lens-XXL | — | — | — | 57N75XXL | — | 57N74XXL | 53N88XXL | 53N87XXL | — |

Back Caps

| | | |
|--------------------|-----------------|---------------|
| 11 Short CS110-BCS | 12 Medium 41V35 | 13 Long 41V24 |
|--------------------|-----------------|---------------|

*Not shown.

TIG TORCHES

Weldcraft® W-350 Series Formerly WP-18 Series

Hand-Held Water-Cooled
Service Parts/Consumables



W-350
(WP-18)

Additional Torch Models



Note: Torches delivered may vary slightly from images shown.

| Models | | Rubber | | Vinyl | |
|-----------|-------------|-----------------|---------------|-----------------|---------------|
| Old Model | New Name | 12.5 ft (3.8 m) | 25 ft (7.6 m) | 12.5 ft (3.8 m) | 25 ft (7.6 m) |
| WP-18 | W-350 | WP-18-12-R | WP-18-25-R | WP-18-12 | WP-18-25 |
| WP-18V | W-350 Valve | — | WP-18V-25-R | — | WP-18V-25 |

V= Valve

Torch packages include torch body, handle, power cable, long back cap, gas hose and water hose.

| Torch Bodies | | Valves | Handles | |
|--------------|--------|--------|---------|--------|
| W-350 | WP-18 | — | Ribbed | H-200R |
| W-350 Valve | WP-18V | VS-1 | Knurled | H-200 |

| Power Cables | | | | |
|--------------|-----------------|---------------|-----------------|---------------|
| | Vinyl | | Rubber (PC) | Braided (G&W) |
| | 12.5 ft (3.8 m) | 25 ft (7.6 m) | 12.5 ft (3.8 m) | 25 ft (7.6 m) |
| Power Cable | 40V64 | 41V29 | 40V64R | 41V29R |
| Water Hose | 40V74 | 41V32 | 40V74R | 41V32R |
| Gas Hose | 40V75 | 41V30 | 40V75R18 | 41V30R18 |

#AK3C Accessory Kit

Includes one short back cap, three collets (one collet per size: 1/16, 3/32, 1/8), three collet bodies (one collet body per size: 1/16, 3/32, 1/8), three alumina nozzles (one nozzle per size: 5, 6, 7), and three 7-inch 2% ceriated tungsten electrodes (one electrode per size: 1/16, 3/32, 1/8).

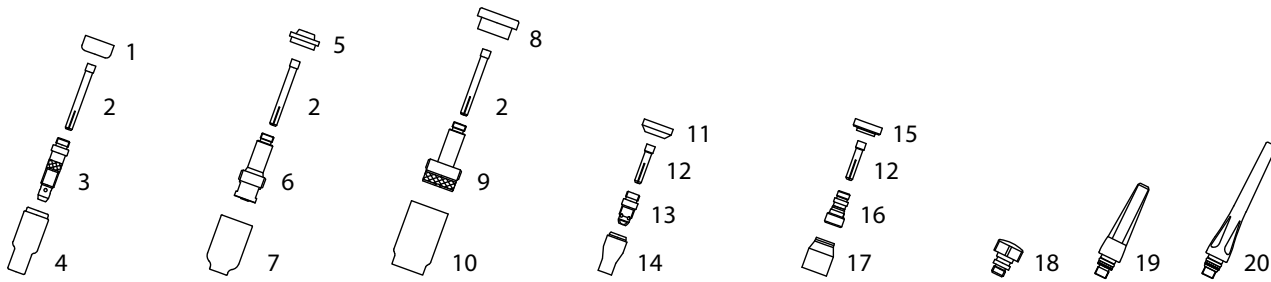


Cable Covers

#WC-3-10 10 ft (3 m)
#WC-3-22 22 ft (6.7 m)

Extension Kit

#EK-1-25-R 25 ft (7.6 m), Rubber



Consumables

Non-Gas Lens

| | | | | | | | | |
|-----------------------------|------------|------------|------------|----------|------------|----------|-----------|------------|
| Electrode Size - inch (mm) | .020 (0.5) | .040 (1.0) | 1/16 (1.6) | | 3/32 (2.4) | | 1/8 (3.2) | 5/32 (4.0) |
| 1 Insulator (required) | 18CG | 18CG | 18CG | | 18CG | | 18CG | 18CG |
| 2 Collet | 10N21 | 10N22 | 10N23 | | 10N24 | | 10N25 | 54N20 |
| 3 Collet Body | 10N29 | 10N30 | 10N31 | | 10N32 | | 10N28 | 406488 |
| Nozzle Size - size # (inch) | 4 (1/4) | 5 (5/16) | 6 (3/8) | 7 (7/16) | 8 (1/2) | 10 (5/8) | 12 (3/4) | Short |
| 4 Alumina | 10N50 | 10N49 | 10N48 | 10N47 | 10N46 | 10N45 | 10N44 | — |
| * Long Alumina | — | 10N49L | 10N48L | 10N47L | — | — | — | — |
| * Lava | 105Z43 | 105Z42 | 105Z44 | 105Z45 | 08N78 | 08N79 | 08N80 | — |
| * Long Lava | 12N03 | 105Z60 | 12N02 | 105Z61 | — | — | — | — |

Gas Lens

| | | | | | | | | |
|-----------------------------|------------|------------|------------|----------|------------|----------|-----------|------------|
| Electrode Size - inch (mm) | .020 (0.5) | .040 (1.0) | 1/16 (1.6) | | 3/32 (2.4) | | 1/8 (3.2) | 5/32 (4.0) |
| 5 Insulator (required) | 54N01 | 54N01 | 54N01 | | 54N01 | | 54N01 | 54N01 |
| 2 Collet | 10N21 | 10N22 | 10N23 | | 10N24 | | 10N25 | 54N20 |
| 6 Gas Lens | 45V29 | 45V24 | 45V25 | | 45V26 | | 45V27 | 45V28 |
| Nozzle Size - size # (inch) | 4 (1/4) | 5 (5/16) | 6 (3/8) | 7 (7/16) | 8 (1/2) | 10 (5/8) | 12 (3/4) | Short |
| 7 Alumina Gas Lens | 54N18 | 54N17 | 54N16 | 54N15 | 54N14 | — | — | 54N19 |
| * Long Gas Lens | — | 54N17L | 54N16L | 54N15L | 54N14L | — | — | — |

Large Diameter Gas Lens

| | | | | | | | | |
|-----------------------------|------------|------------|------------|----------|------------|----------|-----------|------------|
| Electrode Size - inch (mm) | .020 (0.5) | .040 (1.0) | 1/16 (1.6) | | 3/32 (2.4) | | 1/8 (3.2) | 5/32 (4.0) |
| 8 Insulator (required) | 54N63 | 54N63 | 54N63 | | 54N63 | | 54N63 | 54N63 |
| 2 Collet | 10N21 | 10N22 | 10N23 | | 10N24 | | 10N25 | 54N20 |
| 9 Large Diameter Gas Lens | 45V0204 | 45V0204 | 45V116 | | 45V64 | | 995795 | 45V63 |
| Nozzle Size - size # (inch) | 4 (1/4) | 5 (5/16) | 6 (3/8) | 7 (7/16) | 8 (1/2) | 10 (5/8) | 12 (3/4) | Short |
| 10 Large Dia. Gas Lens | — | — | 57N75 | — | 57N74 | 53N88 | 53N87 | 53N89 |
| * Large Dia. Gas Lens-L | — | — | 57N75L | — | 57N74L | 53N88L | 53N87L | — |
| * Large Dia. Gas Lens-XL | — | — | 57N75XL | — | 57N74XL | 53N88XL | 53N87XL | — |
| * Large Dia. Gas Lens-XXL | — | — | 57N75XXL | — | 57N74XXL | 53N88XXL | 53N87XXL | — |

Stubby Non-Gas Lens

| | | | | | | | | |
|-----------------------------|------------|------------|------------|----------|------------|----------|-----------|-------|
| Electrode Size - inch (mm) | .020 (0.5) | .040 (1.0) | 1/16 (1.6) | | 3/32 (2.4) | | 1/8 (3.2) | |
| 11 Insulator (required) | 18CG20 | 18CG20 | 18CG20 | | 18CG20 | | 18CG20 | |
| 12 Stubby Collet | — | 10N22S | 10N23S | | 10N24S | | 10N25S | |
| 13 Stubby Body Collet | 17CB20 | 17CB20 | 17CB20 | | 17CB20 | | 17CB20 | |
| Nozzle Size - size # (inch) | 4 (1/4) | 5 (5/16) | 6 (3/8) | 7 (7/16) | 8 (1/2) | 10 (5/8) | 12 (3/4) | Short |
| 14 Stubby Alumina | 13N08 | 13N09 | 13N10 | 13N11 | 13N12 | 13N13 | — | — |

Stubby Gas Lens

| | | | | | | | | |
|-----------------------------|------------|------------|------------|----------|------------|----------|-----------|-------|
| Electrode Size - inch (mm) | .020 (0.5) | .040 (1.0) | 1/16 (1.6) | | 3/32 (2.4) | | 1/8 (3.2) | |
| 15 Insulator (required) | 17GLG20 | 17GLG20 | 17GLG20 | | 17GLG20 | | 17GLG20 | |
| 12 Stubby Collet | — | 10N22S | 10N23S | | 10N24S | | 10N25S | |
| 16 Stubby Gas Lens | — | 17GL040 | 17GL118 | | 17GL332 | | 17GL18 | |
| Nozzle Size - size # (inch) | 4 (1/4) | 5 (5/16) | 6 (3/8) | 7 (7/16) | 8 (1/2) | 10 (5/8) | 12 (3/4) | Short |
| 17 Alumina Gas Lens | 53N58 | 53N59 | 53N60 | 53N61 | 53N61S | — | — | — |

Back Caps

| | | |
|----------------|----------------|---------------|
| 18 Short 57Y04 | 19 Medium 300M | 20 Long 57Y02 |
|----------------|----------------|---------------|

*Not shown.

TIG TORCHES

Weldcraft® W-375 Series

Hand-Held Water-Cooled
Service Parts/Consumables



W-375 Super Cool
(301253)

| | Braided Rubber | | Braided Rubber with 50 mm Dinse |
|-------------------|---------------------|-------------------|---------------------------------|
| New Name | 12.5 (3.8 m) | 25 (7.6 m) | 25 (7.6 m) |
| W-375 Super Cool™ | 301253012 | 301253025 | 301253001* |

Torch packages include torch body, handle, power cable, long back cap, gas hose, water hose and cable cover.
*Cable cover included.

| Hose Part # | Description |
|-------------|------------------------------------|
| 269766 | Water Hose 14 ft (4.2m), Braided |
| 269767 | Water Hose 26.5 ft (8.0m), Braided |
| 269770 | Gas Hose 13.25 ft (4.0m) Braided |
| 269771 | Gas Hose 25.75 ft (7.8m) Braided |
| 269764 | Power Cable, 12.5 ft (3.8m) |
| 269765 | Power Cable, 25.0 ft (7.6m) |

#AK4C Accessory Kit

Includes one long back cap, three collets (one collet per size: 1/16, 3/32, 1/8), three collet bodies (one collet body per size: 1/16, 3/32, 1/8), three alumina nozzles (one nozzle per size: 5, 6, 7), and three 7-inch 2% ceriated tungsten electrodes (one electrode per size: 1/16, 3/32, 1/8).

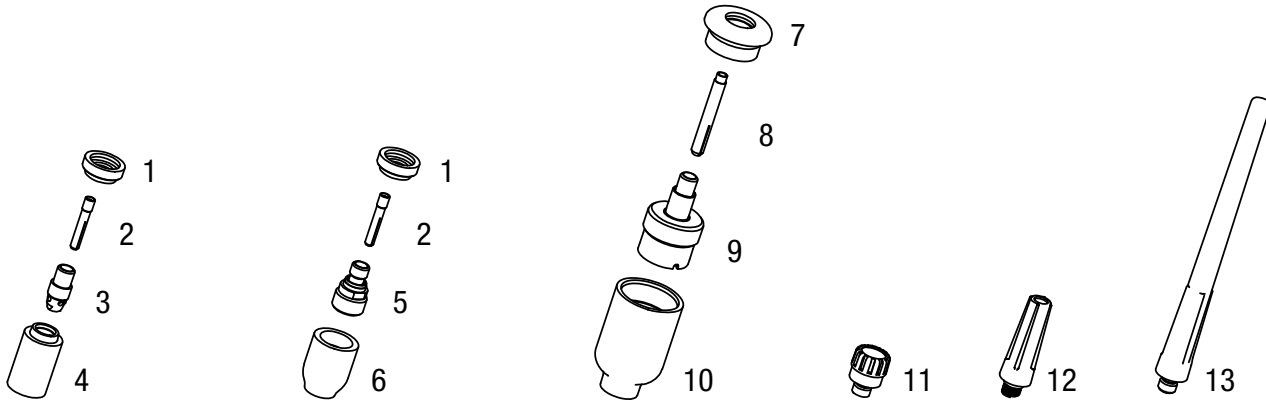


#WC0183 11.75 ft (3.6 m)
for use with 301253012

#WC0182 24.25 ft (7.4 m)
for use with 301253025
and 301253001

Extension Kit
#EK-1-25-R 25 ft (7.6 m), rubber





Non-Gas Lens

| Electrode Size — inch (mm) | .020 (0.5) | .040 (1.0) | 1/16 (1.6) | | 3/32 (2.4) | | 1/8 (3.2) | | |
|-----------------------------|------------|------------|------------|---------|------------|---------|-----------|----------|-------|
| 1 Insulator (required) | 598882 | 598882 | 598882 | | 598882 | | 598882 | | |
| 2 Collet | 13N20 | 13N21 | 13N22 | | 13N23 | | 13N24 | | |
| 3 Collet Body | 13N25 | 13N26 | 13N27 | | 13N28 | | 13N29 | | |
| Nozzle Size — size # (inch) | 3 (3/16) | 4 (1/4) | 5 (5/16) | 6 (3/8) | 7 (7/16) | 8 (1/2) | 10 (5/8) | 12 (3/4) | Short |
| 4 Alumina | — | 13N08 | 13N09 | 13N10 | 13N11 | 13N12 | 13N13 | — | — |
| * Lava | — | 13N14 | 13N15 | 13N16 | 13N17 | 13N18 | 13N19 | — | — |
| * Long Lava | 796F70 | 796F71 | 796F72 | 796F73 | — | — | — | — | — |
| * X-Long Lava | 796F74 | 796F75 | 796F76 | 796F77 | — | — | — | — | — |

Gas Lens

| Electrode Size — inch (mm) | .020 (0.5) | .040 (1.0) | 1/16 (1.6) | | 3/32 (2.4) | | 1/8 (3.2) | | |
|-----------------------------|------------|------------|------------|---------|------------|---------|-----------|----------|-------|
| 1 Insulator (required) | 598882 | 598882 | 598882 | | 598882 | | 598882 | | |
| 2 Collet | 13N20 | 13N21 | 13N22 | | 13N23 | | 13N24 | | |
| 5 Gas Lens | 45V41 | 45V42 | 45V43 | | 45V44 | | 45V45 | | |
| Nozzle Size — size # (inch) | 3 (3/16) | 4 (1/4) | 5 (5/16) | 6 (3/8) | 7 (7/16) | 8 (1/2) | 10 (5/8) | 12 (3/4) | Short |
| 6 Alumina Gas Lens | — | 53N58 | 53N59 | 53N60 | 53N61 | 53N61S | — | — | — |
| Large Diameter Gas Lens | — | 54N17L | 54N16L | 54N15L | — | — | — | — | — |

Electrode Size — inch (mm)

| 7 Insulator (required) | 54N63-20 | 54N63-20 | 54N63-20 | | 54N63-20 | | 54N63-20 | | |
|-----------------------------|----------|----------|----------|----------|----------|----------|----------|----------|-------|
| 8 Collet | 13N20L | 13N21L | 13N22L | | 13N23L | | 13N24L | | |
| 9 Large Diameter Gas Lens | 45V0204S | 45V0204S | 45V116S | | 45V64S | | 995795S | | |
| Nozzle Size — size # (inch) | 3 (3/16) | 4 (1/4) | 5 (5/16) | 6 (3/8) | 7 (7/16) | 8 (1/2) | 10 (5/8) | 12 (3/4) | Short |
| 10 Large Dia. Gas Lens | — | — | — | 57N75 | — | 57N74 | 53N88 | 53N87 | 53N89 |
| * Large Dia. Gas Lens-L | — | — | — | 57N75L | — | 57N74L | 53N88L | 53N87L | — |
| * Large Dia. Gas Lens-XL | — | — | — | 57N75XL | — | 57N74XL | 53N88XL | 53N87XL | — |
| * Large Dia. Gas Lens-XXL | — | — | — | 57N75XXL | — | 57N74XXL | 53N88XXL | 53N87XXL | — |

Back Caps

11 Short 41V33 12 Medium 41V35 13 Long 41V24

*Not shown.

TIG TORCHES

Weldcraft® W-410 Series Formerly CS410

Hand-Held Water-Cooled
Service Parts/Consumables



W-410
(CS410A)

| Models | | Braided Rubber |
|-----------|----------|----------------|
| Old Model | New Name | 25 ft (7.6 m) |
| CS410A | W-410 | CS410-25 |

Torch packages include torch body, handle, power cable, long back cap, gas hose, water hose and cable cover.

| Torch Bodies | | Handles | |
|--------------|--------|----------|---------|
| W-410 | CS410A | D-Handle | CS210-H |

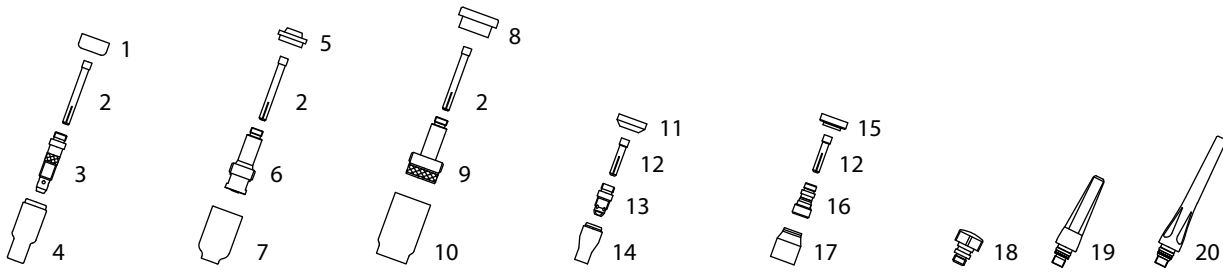
| Power Cables | | |
|--------------|-----------------|---------------|
| | Braided | |
| | 12.5 ft (3.8 m) | 25 ft (7.6 m) |
| Power Cable | CS410-12PC | CS410-25PC |
| Water Hose | CS310-12W | CS310-25W |
| Gas Hose | CS410-12G | CS410-25G |

#AK3C Accessory Kit

Includes one long back cap, three collets (one collet per size: 1/16, 3/32, 1/8), three collet bodies (one collet body per size: 1/16, 3/32, 1/8), three alumina nozzles (one nozzle per size: 5, 6, 7), and three 7-inch 2% ceriated tungsten electrodes (one electrode per size: 1/16, 3/32, 1/8).



Cable Covers
#WC-3-22 22 ft (6.7 m)



Consumables

Non-Gas Lens

| Electrode Size - inch (mm) | .020 (0.5) | .040 (1.0) | 1/16 (1.6) | | 3/32 (2.4) | | 1/8 (3.2) | 5/32 (4.0) |
|-----------------------------|------------|------------|------------|----------|------------|----------|-----------|------------|
| 1 Insulator (required) | 18CG | 18CG | 18CG | | 18CG | | 18CG | 18CG |
| 2 Collet | 10N21 | 10N22 | 10N23 | | 10N24 | | 10N25 | 54N20 |
| 3 Collet Body | 10N29 | 10N30 | 10N31 | | 10N32 | | 10N28 | 406488 |
| Nozzle Size - size # (inch) | 4 (1/4) | 5 (5/16) | 6 (3/8) | 7 (7/16) | 8 (1/2) | 10 (5/8) | 12 (3/4) | Short |
| 4 Alumina | 10N50 | 10N49 | 10N48 | 10N47 | 10N46 | 10N45 | 10N44 | — |
| * Long Alumina | — | 10N49L | 10N48L | 10N47L | — | — | — | — |
| * Lava | 105Z43 | 105Z42 | 105Z44 | 105Z45 | 08N78 | 08N79 | 08N80 | — |
| * Long Lava | 12N03 | 105Z60 | 12N02 | 105Z61 | — | — | — | — |

Gas Lens

| Electrode Size - inch (mm) | .020 (0.5) | .040 (1.0) | 1/16 (1.6) | | 3/32 (2.4) | | 1/8 (3.2) | 5/32 (4.0) |
|-----------------------------|------------|------------|------------|----------|------------|----------|-----------|------------|
| 5 Insulator (required) | 54N01 | 54N01 | 54N01 | | 54N01 | | 54N01 | 54N01 |
| 2 Collet | 10N21 | 10N22 | 10N23 | | 10N24 | | 10N25 | 54N20 |
| 6 Gas Lens | 45V29 | 45V24 | 45V25 | | 45V26 | | 45V27 | 45V28 |
| Nozzle Size - size # (inch) | 4 (1/4) | 5 (5/16) | 6 (3/8) | 7 (7/16) | 8 (1/2) | 10 (5/8) | 12 (3/4) | Short |
| 7 Alumina Gas Lens | 54N18 | 54N17 | 54N16 | 54N15 | 54N14 | — | — | 54N19 |
| * Long Gas Lens | — | 54N17L | 54N16L | 54N15L | 54N14L | — | — | — |

Large Diameter Gas Lens

| Electrode Size - inch (mm) | .020 (0.5) | .040 (1.0) | 1/16 (1.6) | | 3/32 (2.4) | | 1/8 (3.2) | 5/32 (4.0) |
|-----------------------------|------------|------------|------------|----------|------------|----------|-----------|------------|
| 8 Insulator (required) | 54N63 | 54N63 | 54N63 | | 54N63 | | 54N63 | 54N63 |
| 2 Collet | 10N21 | 10N22 | 10N23 | | 10N24 | | 10N25 | 54N20 |
| 9 Large Diameter Gas Lens | 45V0204 | 45V0204 | 45V116 | | 45V64 | | 995795 | 45V63 |
| Nozzle Size - size # (inch) | 4 (1/4) | 5 (5/16) | 6 (3/8) | 7 (7/16) | 8 (1/2) | 10 (5/8) | 12 (3/4) | Short |
| 10 Large Dia. Gas Lens | — | — | 57N75 | — | 57N74 | 53N88 | 53N87 | 53N89 |
| * Large Dia. Gas Lens-L | — | — | 57N75L | — | 57N74L | 53N88L | 53N87L | — |
| * Large Dia. Gas Lens-XL | — | — | 57N75XL | — | 57N74XL | 53N88XL | 53N87XL | — |
| * Large Dia. Gas Lens-XXL | — | — | 57N75XXL | — | 57N74XXL | 53N88XXL | 53N87XXL | — |

Stubby Non-Gas Lens

| Electrode Size - inch (mm) | .020 (0.5) | .040 (1.0) | 1/16 (1.6) | | 3/32 (2.4) | | 1/8 (3.2) | |
|-----------------------------|------------|------------|------------|----------|------------|----------|-----------|-------|
| 11 Insulator (required) | 18CG20 | 18CG20 | 18CG20 | | 18CG20 | | 18CG20 | |
| 12 Stubby Collet | — | 10N22S | 10N23S | | 10N24S | | 10N25S | |
| 13 Stubby Body Collet | 17CB20 | 17CB20 | 17CB20 | | 17CB20 | | 17CB20 | |
| Nozzle Size - size # (inch) | 4 (1/4) | 5 (5/16) | 6 (3/8) | 7 (7/16) | 8 (1/2) | 10 (5/8) | 12 (3/4) | Short |
| 14 Stubby Alumina | 13N08 | 13N09 | 13N10 | 13N11 | 13N12 | 13N13 | — | — |

Stubby Gas Lens

| Electrode Size - inch (mm) | .020 (0.5) | .040 (1.0) | 1/16 (1.6) | | 3/32 (2.4) | | 1/8 (3.2) | |
|-----------------------------|------------|------------|------------|----------|------------|----------|-----------|-------|
| 15 Insulator (required) | 17GLG20 | 17GLG20 | 17GLG20 | | 17GLG20 | | 17GLG20 | |
| 12 Stubby Collet | — | 10N22S | 10N23S | | 10N24S | | 10N25S | |
| 16 Stubby Gas Lens | — | 17GL040 | 17GL116 | | 17GL332 | | 17GL18 | |
| Nozzle Size - size # (inch) | 4 (1/4) | 5 (5/16) | 6 (3/8) | 7 (7/16) | 8 (1/2) | 10 (5/8) | 12 (3/4) | Short |
| 17 Alumina Gas Lens | 53N58 | 53N59 | 53N60 | 53N61 | 53N61S | — | — | — |

Back Caps

| | | |
|----------------|----------------|---------------|
| 18 Short 57Y04 | 19 Medium 300M | 20 Long 57Y02 |
|----------------|----------------|---------------|

*Not shown.

TIG TORCHES

Weldcraft® Modular Series

Hand-Held TIG Service Parts/Consumables

Type

Water-Cooled

Rated Output

DC: 225 A, AC: 160 A

Duty Cycle

100%

Electrode Range

.020-5/32 in (0.5-4.0 mm)



W-225 Modular
(WP-225)

| Models | | Braided Rubber | | Vinyl | Textured Handle |
|-----------|---------------|-----------------|---------------|---------------|-----------------|
| Old Model | New Name | 12.5 ft (3.8 m) | 25 ft (7.6 m) | 25 ft (7.6 m) | — |
| WP-225 | W-225 Modular | WP-225-12-R | WP-225-25-R | WP-225-25 | 53N06 |

Torch packages include torch body, handle, power cable, gas hose, water hose and 1726 and 9-70 torch heads.



24 24-90 9-70 9-90 9P 1726 1726P

| Torch Head | Angle | Electrode Range | A-150 Modular* Amp Rating | | A-200 Modular* Amp Rating | | W-225 Modular** Amp Rating | |
|------------|-------|----------------------------|---------------------------|-----|---------------------------|-----|----------------------------|-----|
| | | | DC | AC | DC | AC | DC | AC |
| 24 | 70° | .020-3/32 in. (0.5-2.4 mm) | 80 | 50 | 80 | 50 | 160 | 115 |
| 24-90 | 90° | .020-3/32 in. (0.5-2.4 mm) | 80 | 50 | 80 | 50 | 160 | 115 |
| 9-70 | 70° | .020-1/8 in. (0.5-3.2 mm) | 125 | 100 | 125 | 100 | 200 | 140 |
| 9-90 | 90° | .020-1/8 in. (0.5-3.2 mm) | 125 | 100 | 125 | 100 | 200 | 140 |
| 9P | 180° | .020-1/8 in. (0.5-3.2 mm) | 125 | 100 | 125 | 100 | 200 | 140 |
| 1726 | 70° | .020-5/32 in. (0.5-4.0 mm) | 150 | 115 | 200 | 140 | 225 | 160 |
| 1726P | 180° | .020-5/32 in. (0.5-4.0 mm) | 150 | 115 | 200 | 140 | 225 | 160 |



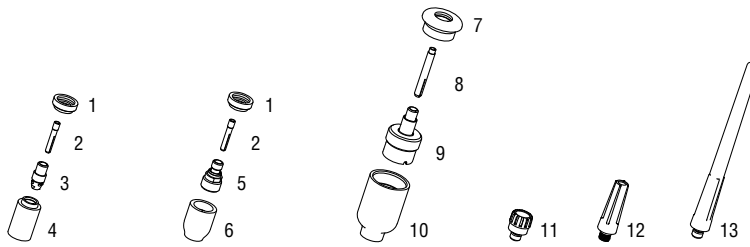
#AK-225MFC Accessory Kit
Supplements W-225 (WP-225) modular torch packages. Includes 5 additional torch heads, collet, collet bodies, nozzles, handle and more.



Cable Covers
#WC-3-10 10 ft (3 m)
#WC-3-22 22 ft (6.7 m)



9-70, 9-90 and 9P Modular Series Consumables



Non-Gas Lens

| Electrode Size - inch (mm) | .020 (0.5) | | .040 (1.0) | | 1/16 (1.6) | | 3/32 (2.4) | | 1/8 (3.2) |
|-----------------------------|------------|---------|------------|---------|------------|---------|------------|----------|-----------|
| 1 Insulator (required) | 598882 | | 598882 | | 598882 | | 598882 | | 598882 |
| 2 Collet | 13N20 | | 13N21 | | 13N22 | | 13N23 | | 13N24 |
| 3 Collet Body | 13N25 | | 13N26 | | 13N27 | | 13N28 | | 13N29 |
| Nozzle Size - size # (inch) | 3 (3/16) | 4 (1/4) | 5 (5/16) | 6 (3/8) | 7 (7/16) | 8 (1/2) | 10 (5/8) | 12 (3/4) | Short |
| 4 Alumina | — | 13N08 | 13N09 | 13N10 | 13N11 | 10N12 | 10N13 | — | — |
| * Lava | — | 13N14 | 13N15 | 13N16 | 13N17 | 13N18 | 13N19 | — | — |
| * Long Lava | 796F70 | 796F71 | 796F72 | 796F73 | — | — | — | — | — |
| * X-Long Lava | 796F74 | 796F75 | 796F76 | 796F77 | — | — | — | — | — |

Gas Lens

| Electrode Size - inch (mm) | .020 (0.5) | | .040 (1.0) | | 1/16 (1.6) | | 3/32 (2.4) | | 1/8 (3.2) |
|-----------------------------|------------|---------|------------|---------|------------|---------|------------|----------|-----------|
| 1 Insulator (required) | 598882 | | 598882 | | 598882 | | 598882 | | 598882 |
| 2 Collet | 13N20 | | 13N21 | | 13N22 | | 13N23 | | 13N24 |
| 5 Gas Lens | 45V41 | | 45V42 | | 45V43 | | 45V44 | | 45V45 |
| Nozzle Size - size # (inch) | 3 (3/16) | 4 (1/4) | 5 (5/16) | 6 (3/8) | 7 (7/16) | 8 (1/2) | 10 (5/8) | 12 (3/4) | Short |
| 6 Alumina Gas Lens | — | 53N58 | 53N59 | 53N60 | 53N61 | 53N61S | — | — | — |

Large Diameter Gas Lens

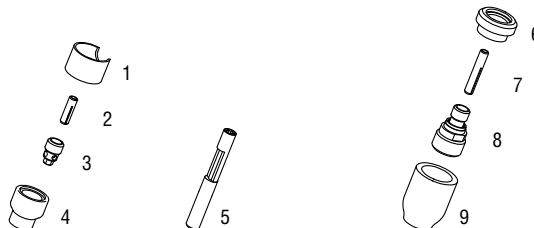
| Electrode Size - inch (mm) | .020 (0.5) | | .040 (1.0) | | 1/16 (1.6) | | 3/32 (2.4) | | 1/8 (3.2) |
|-----------------------------|------------|---------|------------|----------|------------|----------|------------|----------|-----------|
| 7 Insulator (required) | 54N63-20 | | 54N63-20 | | 54N63-20 | | 54N63-20 | | 54N63-20 |
| 8 Collet | 13N20L | | 13N21L | | 13N22L | | 13N23L | | 13N24L |
| 9 Large Diameter Gas Lens | 45V0204S | | 45V0204S | | 45V116S | | 45V64S | | 995795S |
| Nozzle Size - size # (inch) | 3 (3/16) | 4 (1/4) | 5 (5/16) | 6 (3/8) | 7 (7/16) | 8 (1/2) | 10 (5/8) | 12 (3/4) | Short |
| 10 Large Dia. Gas Lens | — | — | — | 57N75 | — | 57N74 | 53N88 | 53N87 | 53N89 |
| * Large Dia. Gas Lens-L | — | — | — | 57N75L | — | 57N74L | 53N88L | 53N87L | — |
| * Large Dia. Gas Lens-XL | — | — | — | 57N75XL | — | 57N74XL | 53N88XL | 53N87XL | — |
| * Large Dia. Gas Lens-XXL | — | — | — | 57N75XXL | — | 57N74XXL | 53N88XXL | 53N87XXL | — |

Back Caps

| | | |
|----------------|-----------------|---------------|
| 11 Short 41V33 | 12 Medium 41V35 | 13 Long 41V24 |
|----------------|-----------------|---------------|

**Not shown.*

24 and 24-90 Torch Head Modular Series Consumables



Non-Gas Lens

| Electrode Size - inch (mm) | .020 (0.5) | .040 (1.0) | 1/16 (1.6) | 3/32 (2.4) |
|-----------------------------|------------|------------|------------|------------|
| 1 Insulator (required) | 53N22 | 53N22 | 53N22 | 53N22 |
| 2 Collet | 53N15 | 53N16 | 53N14 | 24C332 |
| 3 Collet Body | 53N17 | 53N18 | 53N19 | 24CB332 |
| Nozzle Size - size # (inch) | .165 | 4 (1/4) | 5 (5/16) | 6 (3/8) |
| 4 Alumina | — | A53N24 | A53N25 | A53N27 |
| * Lava | 53N23 | 53N24 | 53N25 | 53N27 |
| * Long Lava | — | 53N28 | — | 53N26 |

Collet Body Wrench

| |
|---------|
| 5 53N20 |
|---------|

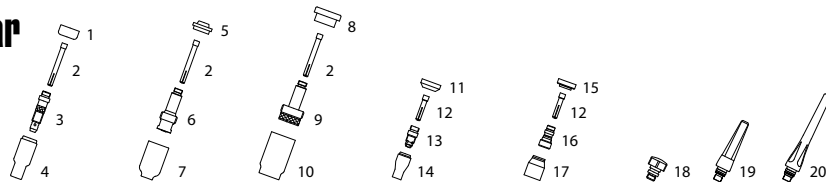
Gas Lens

| Electrode Size - inch (mm) | .020 (0.5) | .040 (1.0) | 1/16 (1.6) | 3/32 (2.4) |
|-----------------------------|------------|------------|------------|------------|
| 6 Insulator (required) | 53N66 | 53N66 | 53N66 | 53N66 |
| 7 Collet | 53N62 | 53N63 | 53N64 | 24GLC332 |
| 8 Gas Lens | 45V41 | 45V42 | 45V43 | 45V44 |
| Nozzle Size - size # (inch) | 4 (1/4) | 5 (5/16) | 6 (3/8) | 7 (7/16) |
| 9 Alumina Gas Lens | 53N58 | 53N59 | 53N60 | 53N61 |
| | | | | 53N61S |

**Not shown.*

TIG TORCHES

1726 and 1726P Torch Head Modular Series Consumables



Non-Gas Lens

| Electrode Size - inch (mm) | .020 (0.5) | .040 (1.0) | 1/16 (1.6) | | 3/32 (2.4) | | 1/8 (3.2) | 5/32 (4.0) |
|-----------------------------|------------|------------|------------|----------|------------|----------|-----------|------------|
| 1 Insulator (required) | 18CG | 18CG | 18CG | | 18CG | | 18CG | 18CG |
| 2 Collet | 10N21 | 10N22 | 10N23 | | 10N24 | | 10N25 | 54N20 |
| 3 Collet Body | 10N29 | 10N30 | 10N31 | | 10N32 | | 10N28 | 406488 |
| Nozzle Size - size # (inch) | 4 (1/4) | 5 (5/16) | 6 (3/8) | 7 (7/16) | 8 (1/2) | 10 (5/8) | 12 (3/4) | Short |
| 4 Alumina | 10N50 | 10N49 | 10N48 | 10N47 | 10N46 | 10N45 | 10N44 | — |
| * Long Alumina | — | 10N49L | 10N48L | 10N47L | — | — | — | — |
| * Lava | 105Z43 | 105Z42 | 105Z44 | 105Z45 | 08N78 | 08N79 | 08N80 | — |
| * Long Lava | 12N03 | 105Z60 | 12N02 | 105Z61 | — | — | — | — |

Gas Lens

| Electrode Size - inch (mm) | .020 (0.5) | .040 (1.0) | 1/16 (1.6) | | 3/32 (2.4) | | 1/8 (3.2) | 5/32 (4.0) |
|-----------------------------|------------|------------|------------|----------|------------|----------|-----------|------------|
| 5 Insulator (required) | 54N01 | 54N01 | 54N01 | | 54N01 | | 54N01 | 54N01 |
| 2 Collet | 10N21 | 10N22 | 10N23 | | 10N24 | | 10N25 | 54N20 |
| 6 Gas Lens | 45V29 | 45V24 | 45V25 | | 45V26 | | 45V27 | 45V28 |
| Nozzle Size - size # (inch) | 4 (1/4) | 5 (5/16) | 6 (3/8) | 7 (7/16) | 8 (1/2) | 10 (5/8) | 12 (3/4) | Short |
| 7 Alumina Gas Lens | 54N18 | 54N17 | 54N16 | 54N15 | 54N14 | — | — | 54N19 |
| * Long Gas Lens | — | 54N17L | 54N16L | 54N15 | — | — | — | — |

Large Diameter Gas Lens

| Electrode Size - inch (mm) | .020 (0.5) | .040 (1.0) | 1/16 (1.6) | | 3/32 (2.4) | | 1/8 (3.2) | 5/32 (4.0) |
|-----------------------------|------------|------------|------------|----------|------------|----------|-----------|------------|
| 8 Insulator (required) | 54N63 | 54N63 | 54N63 | | 54N63 | | 54N63 | 54N63 |
| 2 Collet | 10N21 | 10N22 | 10N23 | | 10N24 | | 10N25 | 54N20 |
| 9 Large Diameter Gas Lens | 45V0204 | 45V0204 | 45V116 | | 45V64 | | 995795 | 45V63 |
| Nozzle Size - size # (inch) | 4 (1/4) | 5 (5/16) | 6 (3/8) | 7 (7/16) | 8 (1/2) | 10 (5/8) | 12 (3/4) | Short |
| 10 Large Dia. Gas Lens | — | — | 57N 75 | — | 57N74 | 53N88 | 53N87 | 53N89 |
| * Large Dia. Gas Lens-L | — | — | 57N75L | — | 57N74L | 53N88L | 53N87L | — |
| * Large Dia. Gas Lens-XL | — | — | 57N75XL | — | 57N74XL | 53N88XL | 53N87XL | — |
| * Large Dia. Gas Lens-XXL | — | — | 57N75XXL | — | 57N74XXL | 53N88XXL | 53N87XXL | — |

Stubby Non-Gas Lens

| Electrode Size - inch (mm) | .020 (0.5) | .040 (1.0) | 1/16 (1.6) | | 3/32 (2.4) | | 1/8 (3.2) | |
|-----------------------------|------------|------------|------------|----------|------------|----------|-----------|-------|
| 11 Insulator (required) | 18CG20 | 18CG20 | 18CG20 | | 18CG20 | | 18CG20 | |
| 12 Stubby Collet | — | 10N22S | 10N23S | | 10N24S | | 10N25S | |
| 13 Stubby Body Collet | 17CB20 | 17CB20 | 17CB20 | | 17CB20 | | 17CB20 | |
| Nozzle Size - size # (inch) | 4 (1/4) | 5 (5/16) | 6 (3/8) | 7 (7/16) | 8 (1/2) | 10 (5/8) | 12 (3/4) | Short |
| 14 Stubby Alumina | 13N08 | 13N09 | 13N10 | 13N11 | 13N12 | 13N13 | — | — |

Stubby Gas Lens

| Electrode Size - inch (mm) | .020 (0.5) | .040 (1.0) | 1/16 (1.6) | | 3/32 (2.4) | | 1/8 (3.2) | |
|-----------------------------|------------|------------|------------|----------|------------|----------|-----------|-------|
| 15 Insulator (required) | 17GLG20 | 17GLG20 | 17GLG20 | | 17GLG20 | | 17GLG20 | |
| 12 Stubby Collet | — | 10N22S | 10N23S | | 10N24S | | 10N25S | |
| 16 Stubby Gas Lens | — | 17GL040 | 17GL118 | | 17GL332 | | 17GL18 | |
| Nozzle Size - size # (inch) | 4 (1/4) | 5 (5/16) | 6 (3/8) | 7 (7/16) | 8 (1/2) | 10 (5/8) | 12 (3/4) | Short |
| 17 Alumina Gas Lens | 53N58 | 53N59 | 53N60 | 53N61 | 53N61S | — | — | — |

Back Caps

| | | |
|----------------|----------------|---------------|
| 18 Short 57Y04 | 19 Medium 300M | 20 Long 57Y02 |
|----------------|----------------|---------------|

*Not shown.

ITW Dykem® Paint Markers

Dykem® Brite-Mark® is a general purpose permanent marker ideal for making clear, bold markings on almost any surface (i.e. metal, rubber, plastic, glass, concrete, leather, stone, wood, vinyl, and more). Its quick drying, oil-based paint withstands indoor and outdoor conditions without fading, chipping, or losing its opacity. Dykem Brite-Mark can be used to permanently identify inventory, assemblies, tools, finished products, or work-in-progress while resisting most work related abuses or compounds.

| Part # | Tip | Description | Package Quantity |
|--------|--------------|------------------------------------|------------------|
| 84001 | Fiber/Bullet | 12.0 cc Blue, Dykem® Brite-Mark® | 12 |
| 84002 | Fiber/Bullet | 12.0 cc Black, Dykem® Brite-Mark® | 12 |
| 84003 | Fiber/Bullet | 12.0 cc White, Dykem® Brite-Mark® | 12 |
| 84004 | Fiber/Bullet | 12.0 cc Yellow, Dykem® Brite-Mark® | 12 |
| 84005 | Fiber/Bullet | 12.0 cc Orange, Dykem® Brite-Mark® | 12 |
| 84006 | Fiber/Bullet | 12.0 cc Red, Dykem® Brite-Mark® | 12 |
| 84007 | Fiber/Bullet | 12.0 cc Green, Dykem® Brite-Mark® | 12 |

Dykem® TexPen® is one of the most rugged markers you'll ever use. It can easily write through oil, grease, and even underwater. The Dykem TexPen features a stainless-steel ball tip so you'll never have to worry about the tip wearing out before the paint is gone, even if you're writing on rough concrete or rusty metal. The thick, bold paint markings withstand extreme weather conditions without losing legibility or brightness.



Brite-Mark® (Fiber/Bullet)



TexPen®
(#3, Medium)

For products not listed in this catalog, please call ITW DYKEM® at 1-800-443-9536.

Paint Original Equipment Color Matched

| Part # | Description |
|--------|--|
| 098205 | 12 oz. Spray Can, (new) Miller Blue Enamel |

From showroom touch-ups to complete machine repaints, depend on Miller O.E.M. color-matched paints to give you and your customers professional results. Available in air-dry aerosols.



SCRUBS®

| Part # | Dimensions | Quantity | Case Quantity |
|--------|--------------------|---------------------------|----------------------|
| 202239 | 10-1/2 x 12-1/4 in | 72 towel canister | 6 canisters per case |
| 208470 | 8 x 12-1/4 in | 100 single-pack dispenser | — |

They're the original patented one-step hand cleaner towels in-a-bucket. SCRUBS® combine the scrubbing power of pumice with powerful yet safe cleaning agents into an absorbent, non-scratching abrasive hand-cleaning towel. Fast and easy, no rinsing, no drying, leaves hands clean and protected, germ-free with a pleasant fragrance and no residue.



208470

202239

Welpers®

| Part # | Size | Description | Part # | Size | Description |
|--------|----------|--------------------------|------------|------|-------------|
| YS50 | 8-1/2 in | Original full size model | YS20 (N/A) | 7 in | Mini-welper |

The original patented multipurpose MIG tool that does it all. Welpers® perform eight different tasks saving time and increasing productivity! It's a must have tool for every welder, now available in the smaller more convenient YS20 version, ideal for the growing population of light-duty 150 amp and below MIG welding guns.



YS50

SERVICE PARTS

4-Pin Amp Plastic Connectors



- 048283** Kit (consists of)
081905 Receptacle
079535 Pins (Qty 5)
- 048284** Kit (consists of)
081906 Connector
079534 Sockets (Qty 5)
- 046958** Kit (consists of)
046080 Connector
079535 Pins (Qty 5)

Note: Strain relief clamp **079531** needs to be ordered separately with cord-mounted connections.



- 048282** Kit (consists of)
081560 Receptacle
079534 Sockets (Qty 5)
- 079878** Kit (consists of)
079532 Connector
079535 Pins (Qty 5)
- 080328** Kit (consists of)
079533 Connector
079534 Sockets (Qty 5)

Note: Strain relief clamp **079531** needs to be ordered separately with cord-mounted connections.

4-Pin Amphenol Metal Connectors



Note: Pins are the solderable type and are pre-inserted into the receptacle
 Strain relief clamp **039828** needs to be ordered separately w/cord-mounted connections

5-Pin Amphenol Metal Connectors



Note: Pins are the solderable type and are pre-inserted into the receptacle.
 Strain relief clamp **039685** needs to be ordered separately w/cord-mounted connections.

6-Pin Amphenol Metal Connectors



Note: Pins are the solderable type and are pre-inserted into the receptacle.
 Strain relief clamp **039828** needs to be ordered separately w/cord-mounted connections.



Note: For Maxstar 140 and 150's.

9-Pin Amp Plastic Connectors



- 170646** Receptacle (N/A)
079535 Pins (Qty 5)
- 048380** Kit (consists of)
079705 Connector
079534 Sockets (Qty 10)
- 048306** Kit (consists of)
079707 Connector
079535 Pins (Qty 10)

Note: Strain relief clamp **079706** needs to be ordered separately with cord-mounted connections.

10-Pin Amphenol Metal Connectors



Note: Pins are the solderable type and are pre-inserted into the receptacle.
 Strain relief clamp **#073 332** needs to be ordered separately w/cord-mounted connections.



Note: Pins are the solderable type and are pre-inserted into the receptacle.
 Strain relief clamp **073332** needs to be ordered separately w/cord-mounted connections.

10-Pin Amp Plastic Connectors



- 221777** Kit (consists of)
189238 Receptacle
134733 (N/A) Sockets (Qty 10)
- 217292** Kit (consists of)
190294 Connector
134731 Pins (Qty 10)
134732 Pins (Qty 10)
079739 Clamp
143922 Clamp
- 222857** Kit (consists of)
207194 Connector
079534 Sockets (Qty 10)
141685 Sockets (Qty 10)
079739 Clamp
143922 Clamp

11-Pin Amphenol Metal Connectors



Note: Pins are the solderable type and are pre-inserted into the receptacle.
 Strain relief clamp **039734** needs to be ordered separately w/cord-mounted connections.

14-Pin Amphenol Plastic Connectors (Size 20)



- 143976** Kit (consists of)
134735 Receptacle
079534 Sockets (Qty 15)
- 141162** Kit (14-18 ga wire)
134734 Connector
134 731 Pins (Qty 15)
079739 Clamp
143922 Clamp
- 152369** Kit (consists of)
143424 Connector
079534 Sockets (Qty 15)
079739 Clamp
143922 Clamp

- 143976** Kit (consists of)
134735 Receptacle
079534 Sockets (Qty 15)
- 144310** Kit (20-24 ga wire)
134734 Connector
134732 Pins (Qty 15)
079739 Clamp
143922 Clamp
- 152568** Kit (consists of)
143424 Connector
141685 Sockets (Qty 15)
079739 Clamp
143922 Clamp

14-Pin Amphenol Plastic Connectors (Size 17)



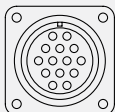
- 047637** Kit (consists of)
048286 Receptacle
079534 Sockets (Qty 15)
- 047636** Kit (consists of)
048287 Connector
079535 Pins (Qty 15)
- 071892** Kit (consists of)
045349 Connector
079534 Sockets (Qty 15)

Note: Strain relief clamp **079739** needs to be ordered separately with cord-mounted connections.



14-Pin Amphenol Metal Connectors

Panel-Mounted Female



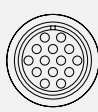
086022 Receptacle

Cord-Mounted Male



136961 Kit (consists of)
094481 Connector
116964 Clamp

Cord-Mounted Female

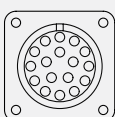


136960 Kit (consists of)
137301 Connector
116964 Clamp

Note: Pins are the solderable type and are pre-inserted into the receptacle.

17-Pin Amphenol Metal Connectors

Panel-Mounted Female



097869
(N/A)

Cord-Mounted Male

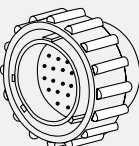


097866
(N/A)

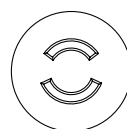
Note: Pins are the solderable type and are pre-inserted into the receptacle. Strain relief clamp 073296 needs to be ordered separately w/cord-mounted connections.

28-Pin Amphenol Plastic Connector (Size-17)

Panel-Mounted Female

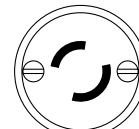


218715



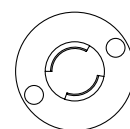
20A, 250V

Panel-Mounted Female
039602



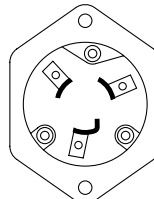
20A, 250V

Cord-Mounted Male
039618



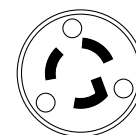
20A, 250V

Cord-Mounted Female
039635



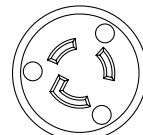
15A

Panel-Mounted Male
056665 (N/A)



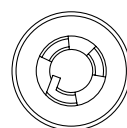
15A, 277V

Cord-Mounted Male
039687



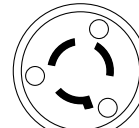
15A, 277V

Cord-Mounted Female
056442



15A, 277V

Panel-Mounted Female
039686



15A, 250V

Cord-Mounted Male
035494



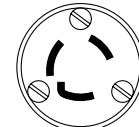
15A, 250V

Cord-Mounted Female
035492 (N/A)



15A, 125V

Panel-Mounted Female
035493 (N/A)



15A, 125V

Cord-Mounted Male
032898

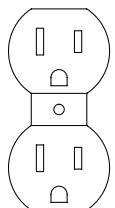


15A, 125V

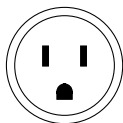
Cord-Mounted Female
035243 (N/A)

Connector Bodies, Plugs and Receptacles

15A, 125V Panel-Mounted Female

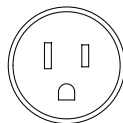


604176



15A, 125V

Cord-Mounted Male
073690



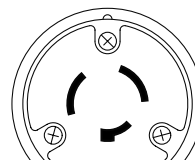
15A, 125V

Cord-Mounted Female
124150



15A, 125V

Panel-Mounted Female
032897



20A, 125V

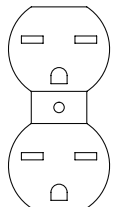
Cord-Mounted Male
605797



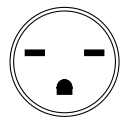
20A, 125V

Cord-Mounted Female
080280 (N/A)

15A, 250V Panel-Mounted Female

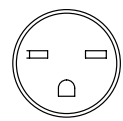


604103



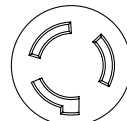
15A, 250V

Cord-Mounted Male
025234



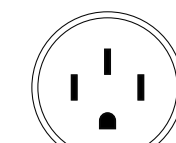
15A, 250V

Cord-Mounted Female
603029 (N/A)



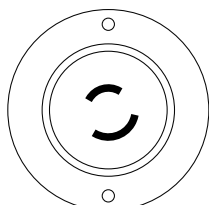
20A, 250V

Panel-Mounted Female
039607



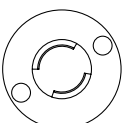
50A, 125/250V

Cord-Mounted Male
119172



20A, 250V

Panel-Mounted Male
141840



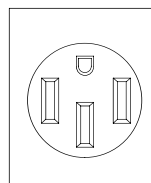
20A, 250V

Cord-Mounted Female
039635



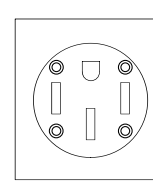
20A, 250V

Cord-Mounted Male
039618



50A, 125/250V

Flanged-Mounted Female
164704
117512 (N/A)



50A, 125/250V

Panel-Mounted Female
182954

Cable Connectors

Cam-Lok Twistlock Receptacles/Connectors

| Item # | Part # | Description | Color | Cable Capacity |
|--------|---------------------|---|-------|----------------------------|
| | | Receptacles | | |
| 1 | 039628 | Receptacle, Insul. (Female) | Black | No. 2/0 – 3/0 (25 – 70 mm) |
| | 039638 | Receptacle, Insul. (Female) | Black | No. 3/0 – 4/0 (70 – 95 mm) |
| 2 | 056271 | Receptacle, Uninsul. (Male) | Black | — |
| | | Connectors | | |
| 3 | 039633 ¹ | Connector, Insul. Set Scr. (In-Line Female) | Red | No. 1/0 – 3/0 (50 – 70 mm) |
| 4 | 039629 | Connector, Insul. Set Scr. (Male) | Red | No. 2 – 1/0 (35 – 50 mm) |
| | 039630 | Connector, Insul. Set Scr. (Male) | Red | No. 1/0 – 3/0 (50 – 70 mm) |
| | 039639 | Connector, Insul. Set Scr. (Male) | Red | No. 3/0 – 4/0 (70 – 95 mm) |

¹For In-Line Connections, use with 039629 or 039630.

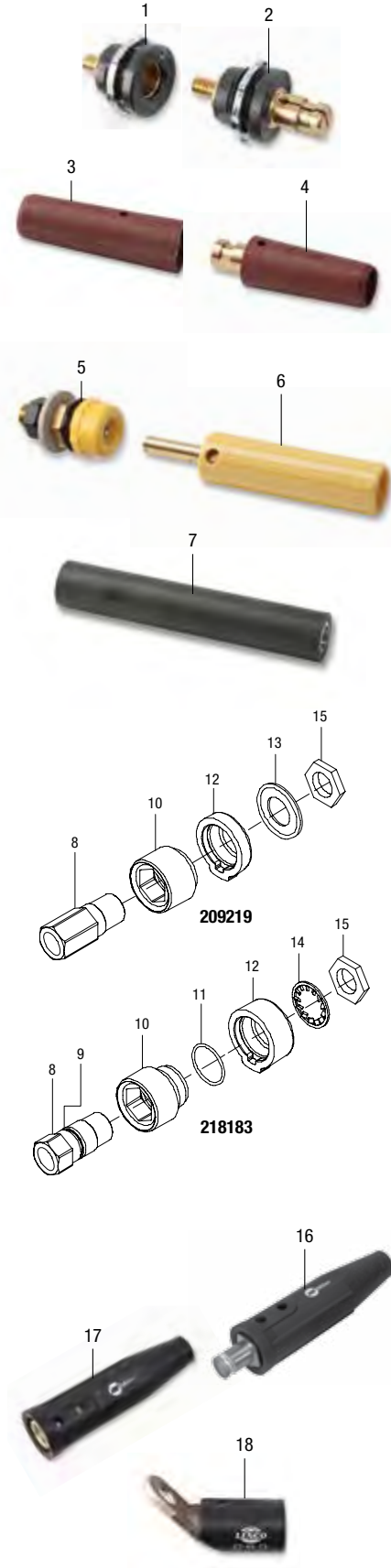
Miller Receptacles/Connectors

| Item # | Part # | Description | Color | Cable Capacity |
|--------|---------------------|--------------------------------|--------|----------------|
| | | Receptacles | | |
| 5 | 039801 | Receptacle, Insulated (Female) | Black | — |
| | 039800 | Receptacle, Insulated (Female) | Red | — |
| | 057608 | Receptacle, Insulated (Female) | Yellow | — |
| | | Plugs | | |
| 6 | 039901 | Plug, Insulated (Male) | Black | No. 1 – 4 |
| | 039608 | Plug, Insulated (Male) | Red | No. 1 – 4 |
| | 039878 | Plug, Insulated (Male) | Yellow | No. 1 – 4 |
| | | Connectors | | |
| 7 | 039611 ² | Connector, Insulated (Female) | Black | No. 1 – 4 |

²For In-Line Connections (Quick-Connect).

Tweco-Style Twistlock Receptacles/Connectors

| Item # | Part # | Part # | Description |
|--------|--------|--------|---|
| | | | Receptacles |
| | 209219 | 218183 | Receptacle Assembly (Female) |
| 8 | 208431 | 209473 | Receptacle, Brass (Female) |
| 9 | — | 186228 | O-Ring, 0.739 ID x 0.070 H |
| 10 | — | 185712 | Insulator, bulkhead front |
| 11 | — | 185718 | O-Ring, 0.989 ID x 0.070 H |
| 12 | — | 185713 | Insulator, bulkhead rear |
| 13 | 229338 | — | Washer, domed load .812 ID x 1.450 OD x .070 THK |
| 14 | — | 185714 | Tooth washer, 1 mm intern |
| 15 | 185717 | 185717 | Nut, M20-1.5 1.00 Hex .19 H BRS locking |
| | | | Connectors |
| 16 | 191981 | 191981 | Connector, Insulated (Male), No. 4 – 1/0 - 2/0 (25 – 50 mm) |
| 17 | 218677 | 218677 | Connector, Insulated (Female), No. 4 – 1/0 - 2/0 (25 – 50 mm) |
| | | | Adapters |
| 18 | 218678 | 218678 | Adapter, Threaded Stud to Tweco (stud hole dia. 5/8 in) |
| | 242251 | — | Connector, TW LK Insulated Female (Tweco-Lenco Type) HD 3/0-4/0 |





Cable Connectors

Dinse™ Twistlock Receptacles (50/70 Series)

| Item # | Part # | Part # | Part # | Part # | Description |
|--------|--------------|--------|--------------|--------------|--|
| | 208967 | 202813 | 129525 | 186092 | Receptacle Assembly (Female) |
| 1 | 208968 (N/A) | — | — | 202811 | Receptacle, Brass with O-ring (Female) (consists of items 2 and 3) |
| 2 | 185711 (N/A) | 202553 | 210752 (N/A) | 202554 (N/A) | Receptacle, Brass (Female) |
| 3 | 185710 | — | — | 185710 | O-Ring, 0.296 ID x 0.139 H Silicone |
| 4 | 186228 | 186228 | — | 186228 | O-Ring, 0.739 ID x 0.070 H |
| 5 | 185712 | 185712 | 208760 (N/A) | 185712 | Insulator, bulkhead front |
| 6 | 185718 | 185718 | — | 185718 | O-Ring, 0.989 ID x 0.070 H |
| 7 | 185713 | 185713 | 208430 (N/A) | 185713 | Insulator, bulkhead rear |
| 8 | — | — | 229338 | — | Washer, domed load .812 ID x 1.450 OD x .070 THK |
| 9 | 185714 | 185714 | — | 185714 | Tooth washer, 1 mm intern |
| 10 | 185717 | 185717 | 185717 | 185717 | Nut, M20-1.5 1.00 Hex .19 H BRS locking |
| 11 | — | — | 229333 | — | Screw, M10-1.5x 20 Hex HD-PLN 8.8 PLD SEMS |

Dinse™ Twistlock Receptacles/Connectors

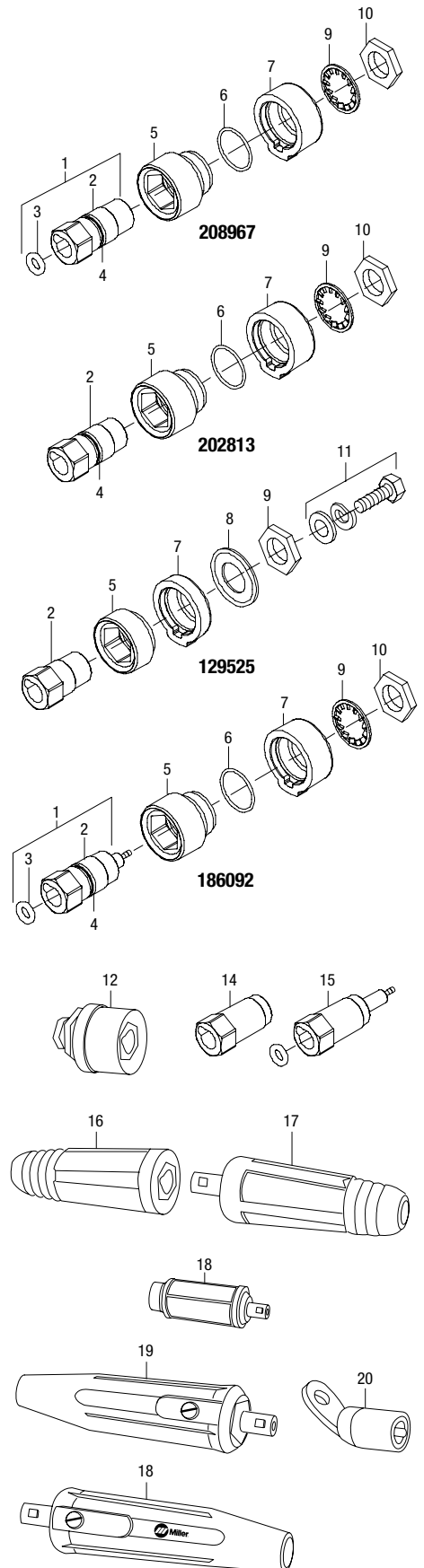
| Item # | Part # | Series | Description | Cable Capacity/Thread Size |
|--------|--------|--------|---|----------------------------|
| | | | Receptacles | |
| 12 | 127837 | 25 | Receptacle, Insulated (Female) | — |
| 13 | 143419 | 50 | Receptacle, Insulated (Male) | — |
| 14 | 208698 | 25 | Receptacle, Brass Power Pos. (Female) | — |
| 15 | 208699 | 25 | Receptacle, Brass Power/Gas Neg. (Female) with O-Ring #188 380 (.174 ID x .103 H) | — |
| | | | Connectors | |
| 16 | 127835 | 25 | Connector, Insulated (Female) | No. 3 – No. 4 |
| | 129526 | 50 | Connector, Insulated (Female) | No. 2 – 1/0 (35 – 50 mm) |
| | 136600 | 70 | Connector, Insulated (Female) | No. 1/0 – 3/0 (50 – 70 mm) |
| | 138180 | 95 | Connector, Insulated (Female) | No. 3/0 – 4/0 (70 – 95 mm) |
| 17 | 127836 | 25 | Connector, Insulated (Male) | No. 3 – No. 4 |
| | 129527 | 50 | Connector, Insulated (Male) | No. 2 – 1/0 (35 – 50 mm) |
| | 134460 | 70 | Connector, Insulated (Male) | No. 1/0 – 3/0 (50 – 70 mm) |
| | 241354 | 95 | Connector, Insulated (Male) | No. 3/0 – 4/0 (70 – 95 mm) |
| 18 | 273483 | 25 | Connector, Insulated (Male) Flow-Thru | 3/8-24R |
| 19 | 194722 | 50 | Connector, Insulated (Male) Flow-Thru 125/150 A | 3/8-24R |
| | 194723 | 50 | Connector, Insulated (Male) Flow-Thru 200 A | 7/8-14R |
| | | | Adapters | |
| 20 | 232728 | 50/70 | Adapter, Threaded Stud to Dinse (stud hole dia. 1/2 in) | |
| 21 | 145739 | | Sleeve, clamping | |

Spectrum Connectors

| Item # | Part # | Description |
|--------|--------|---|
| | 263801 | Connector, TW LK Insulated Male (Tweco-Lenco Type) SK 10-25 |

Maxstar 700/Dynasty 700 Connectors

| Item # | Part # | Description |
|--------|--------|--|
| | | Connectors |
| | 225029 | Connection Kit, Thread Lock Double Dry |
| | | Adapters |
| | 225028 | Adapter, Torch-Thread Lock Water (7/8 LHT) |



Electrode Holders

| Part # | Amperage Capacity | Electrode Capacity | Cable Capacity | Length | Weight |
|----------------------------|-------------------|--------------------|------------------|-------------------|---------------|
| Professional Series | | | | | |
| PA532 | 200 | 5/32 in (4.0 mm) | No. 2/0 (70 mm) | 8-1/2 in (215 mm) | 15 oz (415 g) |
| PA316 | 250 | 3/16 in (4.8 mm) | No. 2/0 (70 mm) | 9-1/4 in (235 mm) | 16 oz (450 g) |
| PA732 | 300 | 7/32 in (5.6 mm) | No. 2/0 (70 mm) | 10 in (250 mm) | 19 oz (530 g) |
| PA14HD | 400 | 1/4 in (6.4 mm) | No. 4/0 (105 mm) | 11 in (280 mm) | 23 oz (650 g) |

Features include:

- Ergonomic — High lever design for greater grip and hand clearance
- Lightweight and easy-to-use
- Fully insulated, high-strength springs for excellent gripping power
- Heavy-duty, shock-proof nylon handle
- Grooved jaw design insures firm electrode grip
- High-impact, high-temperature fiberglass tip insulators
- Professional series features high copper alloy tongs, utility series features brass tongs
- Holders supplied with allen wrench and cable connections ferrule assuring efficient connections

Work Clamps

| Part # | Amperage Capacity | Electrode Capacity* | Cable Capacity | Length | Weight |
|--------|-------------------|---------------------|-------------------------|----------------|---------------|
| EG200 | 200 | 1-1/2 in (40 mm) | No. 6-4 (10-16 mm) | 7 in (175 mm) | 7 oz (199 g) |
| EG300 | 300 | 2 in (50 mm) | No. 2-1 (25-35 mm) | 8 in (200 mm) | 14 oz (390 g) |
| EG500 | 500 | 2 in (50 mm) | No. 1/0-4/0 (50-105 mm) | 10 in (245 mm) | 17 oz (490 g) |
| PGC200 | 200 | 1 in (25 mm) | No. 1-1/0 (35-50 mm) | 6 in (150 mm) | 16 oz (445 g) |
| PGC300 | 300 | 1-1/2 in (40 mm) | No. 1/0-3/0 (50-95 mm) | 8 in (200 mm) | 25 oz (715 g) |
| MGC300 | 300 | — | No. 1-1/0 (35-50 mm) | — | 21 oz (600 g) |
| 203988 | 180 | 1-1/2 in (40 mm) | 2 in (25 mm) | 7 in (175 mm) | 9 oz (255 g) |
| 213619 | 300 | 2 in (50 mm) | 1/0 (50 mm) | 8 in (200 mm) | 13 oz (368 g) |
| 010368 | 200 | 1-1/2 in (40 mm) | No. 4 | 6 in | 5 oz (142 g) |
| 233452 | 300 | 2 in (50 mm) | No. 4-2 | 8 in | 10 oz (290 g) |
| 240697 | 200 | 2 in (50 mm) | No. 6 | 6-1/4 in | 6 oz (168 g) |
| 235116 | 600 | 2 in (50 mm) | No. 3/0-4/0 (70-95 mm) | 6-1/4 in | 6 oz (168 g) |

* Jaw Distance

EG Series — Steel Work Clamps

- Zinc plated
- Large hex screw cable connection assures safe cable connection every time
- Pure copper braided shunts on EG500 allows both jaws to carry welding current

PGC Series — Copper Alloy

- Contoured handle lever for easy jaw opening
- Strong gripping power
- Large contact area assures positive grounding
- Fully insulated spring
- Conductor body holds the cable securely
- Large hex screw cable connection assures safe cable connection every time

MGC Series — Magnetic Work Clamps

- Large contact area assures excellent electrical contact
- Strong gripping power
- Grounding concealed to prevent dislodgment
- Insulated to prevent annealing
- Easy installation or removal
- Most popular magnetic work clamps in the market

PA532



PA316
PA14HD



PA532,
PA316,
PA732



PA14HD



EG500



PGC300



MGC300



240697

213619



010368



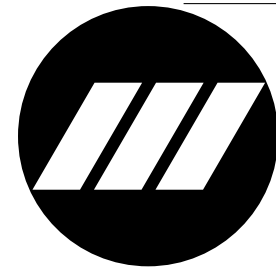
203988



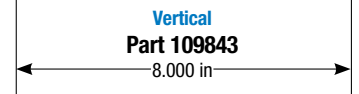
Miller/Hobart Replacement Labels

| Part # | Description | Format | Height | Width | Color |
|--------|-------------|------------|----------|-----------|-----------------|
| 124462 | Miller | Horizontal | 1.625 in | 3.750 in | White/Blue Bkgd |
| 109844 | Miller | Horizontal | 2.500 in | 6.000 in | White/Blue Bkgd |
| 115496 | Miller | Horizontal | 3.500 in | 8.250 in | White/Blue Bkgd |
| 119503 | Miller | Horizontal | 4.000 in | 9.562 in | White/Blue Bkgd |
| 121389 | Miller | Horizontal | 5.250 in | 12.437 in | White/Blue Bkgd |
| 194037 | Miller | Horizontal | 7.600 in | 18.000 in | White/Blue Bkgd |
| 109838 | Miller | Vertical | 1.562 in | 1.312 in | White/Blue Bkgd |
| 109839 | Miller | Vertical | 3.000 in | 2.500 in | White/Blue Bkgd |
| 109840 | Miller | Vertical | 4.500 in | 3.750 in | White/Blue Bkgd |
| 109841 | Miller | Vertical | 6.000 in | 5.125 in | White |
| 109842 | Miller | Vertical | 7.750 in | 6.500 in | White/Blue Bkgd |
| 109843 | Miller | Vertical | 9.500 in | 8.000 in | White |
| 184791 | Hobart | Horizontal | 2.5 in | 11.250 in | Orange |

Nothing completes the repair and repaint of a machine like the addition of the original equipment factory fresh decals. Above is a complete list of the wide variety of sizes available in both the horizontal and vertical formats. For the availability of complete machine decal kits, please contact Miller Service Parts at 1-866-931-9730.

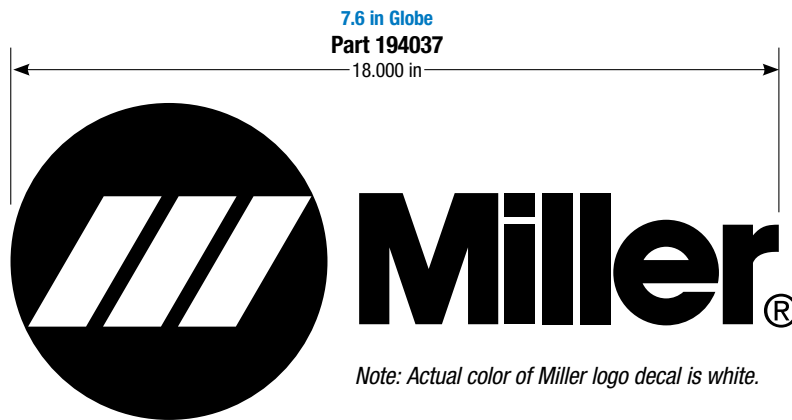
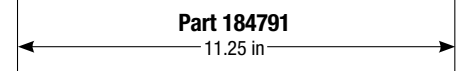


Miller®

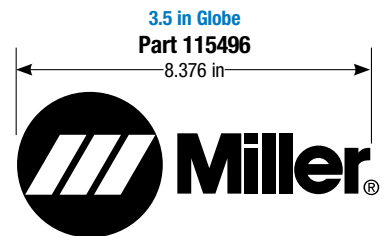


Note: Actual color of Miller logo decal is white.

HOBART®



Note: Actual color of Miller logo decal is white.



Note: Actual color of Miller logo decal is white.

Power Terminals

Power Terminal Output Assemblies

| Part # | Description | Color | Dimension A | Bolt Dimensions |
|----------------|-----------------------|-------|-------------|-------------------|
| Group 1 | | | | |
| 039047 | With Hex Nut | Red | 1-7/8 in | 1/2 in x 1-1/2 in |
| 039046 | With Hex Nut | Black | 1-7/8 in | 1/2 in x 1-1/2 in |
| 099255 | With Hex Nut | White | 1-7/8 in | 1/2 in x 1-1/2 in |
| 181245 | With Hex Nut | Red | 1-7/8 in | 1/2 in x 1-3/4 in |
| 181246 | With Hex Nut | Black | 1-7/8 in | 1/2 in x 1-3/4 in |
| 601879 | Hex Nut — Replacement | — | — | — |

Power Terminal Boots

| Part # | Description | Width | Height |
|--------|-------------------------------------|---------|-------------|
| 179848 | Rubber Boot (Positive) ¹ | 2 in ID | 3-3/4 in ID |
| 180732 | Rubber Boot (Negative) ¹ | 2 in ID | 3-3/4 in ID |
| 186621 | Rubber Boot (Generic) ¹ | 2 in ID | 3-3/4 in ID |
| 180735 | Washer, Output Stud | | |
| 181169 | Spacer, Output Stud | | |

¹ 180735 & 181169 are needed for Power Terminal Boots.

| Part # | Description | Cord Range (Min. – Max.) |
|--------|--|--------------------------|
| 219515 | 50 amp, 230 volt pin-type wall receptacle | — |
| 219516 | 50 amp, 230 volt pin-type male plug | 0 – 1.00 |
| 213380 | 50 amp, 230 volt pin-type male plug (heavy-duty) | 0.625 – 1.320 |
| 219535 | 50 amp, 230 volt pin-type cord-mount receptacle | 0.425 – 1.31 |
| 119172 | 50 amp, 125/250 volt pin-type male plug | 0.62 – 1.31 |
| 254140 | Plug, str grd 3P4W 3PH 50A 240V 15-50P | — |



039046



179848

180732



219515

219516



254140



219535



119172



TRUE BLUE[®]

WARRANTY

LIMITED WARRANTY – Subject to the terms and conditions below, Miller Electric Mfg. Co., Appleton, Wisconsin, warrants to its original retail purchaser that new Miller equipment sold after the effective date of this limited warranty is free of defects in material and workmanship at EXPRESSLY IN OR IMPLIED, INCLUDING THE WARRANTIES OF MERCHANTABILITY AND FITNESS.

Within the warranty periods listed below, Miller will repair or replace any warranted parts or components that fail due to such defects in material or workmanship. Miller must be notified in writing within thirty (30) days of such defect or failure, at which time Miller will provide instructions on the warranty claim procedures to be followed.

Miller shall honor warranty claims on warranted equipment listed below in the event of such a failure within the warranty time periods. All warranty time periods start on the delivery date of the equipment to the original end-user purchaser, after the equipment is shipped to a North American distributor or eighteen months after the equipment is shipped to an International distributor.

- 1. 3 Years — Parts and Labor**
* Auto-Darkening Helmet Lenses (Except Classic Series) (No Labor)
- 2. 2 Years — Parts and Labor**
* Auto-Darkening Helmet Lenses – Classic Series Only (No Labor)
- 3. 1 Year — Parts and Labor Unless Specified**
* CoolBelt and CoolBand Blower Unit (No Labor)
* ICE/XT Plasma Cutting Torches (No Labor)
* PAPR Blower Unit (No Labor)
- 4. 6 Months — Parts**
* Batteries
* Bernard Guns (No Labor)
- 5. 90 Days — Parts**
* M-Guns
* MIG Guns and Subarc (SAW) Guns
* Replacement Parts (No labor)
* Roughneck Guns

Miller's True Blue[®] Limited Warranty shall not apply to:

1. Consumable components; such as contact tips, cutting nozzles, contactors, brushes, relays, work station table tops and welding curtains, or parts that fail due to normal wear. (Exception: brushes and relays are covered on all engine-driven products.)
2. Items furnished by Miller, but manufactured by others, such as engines or trade accessories. These items are covered by the manufacturer's warranty, if any.
3. Equipment that has been modified by any party other than Miller, or equipment that has been improperly installed, improperly operated or misused based upon industry standards, or equipment which has not had reasonable and necessary maintenance, or equipment which has been used for operation outside of the specifications for the equipment.

MILLER PRODUCTS ARE INTENDED FOR PURCHASE AND USE BY COMMERCIAL/INDUSTRIAL USERS AND PERSONS TRAINED AND EXPERIENCED IN THE USE AND MAINTENANCE OF WELDING EQUIPMENT.

In the event of a warranty claim covered by this warranty, the exclusive remedies shall be, at Miller's option: (1) repair; or (2) replacement; or, where authorized in writing by Miller in appropriate cases, (3) the reasonable cost of repair or replacement at an authorized Miller service station; or (4) payment of or credit for the purchase price (less reasonable depreciation based upon actual use) upon return of the goods at customer's risk and expense. Miller's option of repair or replacement will be F.O.B., Factory at Appleton, Wisconsin, or F.O.B. at a Miller authorized service facility as determined by Miller. Therefore no compensation or reimbursement for transportation costs of any kind will be allowed.

TO THE EXTENT PERMITTED BY LAW, THE REMEDIES PROVIDED HEREIN ARE THE SOLE AND EXCLUSIVE REMEDIES. IN NO EVENT SHALL MILLER BE LIABLE FOR DIRECT, INDIRECT, SPECIAL, INCIDENTAL OR CONSEQUENTIAL DAMAGES (INCLUDING LOSS OF PROFIT), WHETHER BASED ON CONTRACT, TORT OR ANY OTHER LEGAL THEORY.

ANY EXPRESS WARRANTY NOT PROVIDED HEREIN AND ANY IMPLIED WARRANTY, GUARANTY OR REPRESENTATION AS TO PERFORMANCE, AND ANY REMEDY FOR BREACH OF CONTRACT TORT OR ANY OTHER LEGAL THEORY WHICH, BUT FOR THIS PROVISION, MIGHT ARISE BY IMPLICATION, OPERATION OF LAW, CUSTOM OF TRADE OR COURSE OF DEALING, INCLUDING ANY IMPLIED WARRANTY OF MERCHANTABILITY OR FITNESS FOR PARTICULAR PURPOSE, WITH RESPECT TO ANY AND ALL EQUIPMENT FURNISHED BY MILLER IS EXCLUDED AND DISCLAIMED BY MILLER.

Some states in the U.S.A. do not allow limitations of how long an implied warranty lasts, or the exclusion of incidental, indirect, special or consequential damages, so the above limitation or exclusion may not apply to you. This warranty provides specific legal rights, and other rights may be available, but may vary from state to state.

In Canada, legislation in some provinces provides for certain additional warranties or remedies other than as stated herein, and to the extent that they may not be waived, the limitations and exclusions set out above may not apply. This Limited Warranty provides specific legal rights, and other rights may be available, but may vary from province to province.

Call 1-866-931-9730 for your local Miller distributor.

Your distributor also gives you...

Service - You always get the fast, reliable response you need. Most replacement parts can be in your hands in 24 hours.

Support - Need fast answers to the tough welding questions? Contact your distributor. The expertise of the distributor and Miller is there to help you, every step of the way.



Finding the right parts and consumables has never been easier since the introduction of Genuine Select; the Parts and Consumables page on Millerwelds.com. Think of it as the online companion to the Welding Components and Parts Guide. This online tool allows you and your customers to quickly determine what consumables are used on their Miller equipment. It even lets your customers select their desired consumables and print the page to bring into the store and hand to your sales people. Check it out at <http://www.millerwelds.com/parts/>. This is just another way Miller is trying to make your job easier!



Extranet <https://partners.itwwelds.com>

The Distributor Extranet, located at <https://partners.itwwelds.com>, is a secure, private website that offers personalized information to Miller distributors. It gives distributors the ability to check order status, track shipments, or check price and availability, whenever it is convenient — 24 hours a day, 7 days a week. It also provides access to product Specification Sheets, new product information, and gives you the ability to order Spec Sheets and sales tools online.



Because much of what you'll find at this site applies specifically to your company, a username and password are required to gain access. Controlled access to this

information is very important for Miller and the distributor, which is why a formal "enrollment process" is required.













On-Line Enrollment Process

Distributor management visit <https://partners.itwwelds.com> and click on "Register now," and you will be able to establish a Web Access Coordinator (WAC) for your business. When approved, the WAC will have the ability to enable access for all other employees within the distributorship that you wish to have access.

On-Line Service Parts Ordering

Once you're business is enrolled on the Extranet, you'll have the added convenience of placing your Miller Service Parts orders online. Contact your Web Access Coordinator to enable this feature. Then you'll be able to link to it from the "Sales Navigation."

Vol. Parts 2016

| | | |
|------------|---|--|
| 4 |  | Welding Protection Head and Face 4 Heat Stress and Respiratory 8 |
| 11 |  | MIG Guns Miller MIG Gun/Machine Reference 11 M-Series MIG Gun Parts/Consumables 12 Roughneck MIG Gun Parts/Consumables 17 Bernard MIG Gun Parts/Consumables 19 Pipeworx MIG Gun Parts/Consumables 24 PipePro Dura-Flux XC Parts/Consumables 25 Bernard MIG S-Gun Parts/Consumables 26 Bernard Dura-Flux Parts/Consumables 27 Ironmate Flux Cored Gun Parts/Consumables 28 Hobart MIG Gun/Machine Reference 31 Hobart MIG Gun Parts/ Reference 31 Millermatic Service Parts 35 |
| 36 |  | Spool Guns Miller Spool Gun Parts/Consumables 36 |
| 46 |  | Drive Rolls Miller Drive Rolls, Guides and Kits 46 Hobart Drive Rolls, Guides and Kits 50 |
| 52 |  | Submerged Arc Torch Parts/Consumables 52 |
| 55 |  | Plasma Cutting Plasma Torches/Machine Reference 55 XT Torch Parts/Consumables 58 ICE Torch Parts/Consumables 62 HP Torch Parts/Consumables 73 |
| 74 |  | Gas Equipment Hose Fittings 74 Pressure Gauges & Filters 74 Gas Hoses 75 Repair Parts 77 Smith Equipment 78 |
| 84 |  | Engine Drives Portable Engine Drive Service Parts 84 Portable Engine Drive Tune-Up Components 85 Industrial Engine Drive Tune-Up Kit Components 89 |
| 91 |  | Spot Welders Tongs and Tips 91 |
| 93 |  | TIG Torches TIG Connectors 93 Weldcraft TIG Torch Parts/Consumables 94 |
| 115 |  | Welding Related Products Paint/Scrubs/Welpers 115 |
| 116 |  | Service Parts Connectors/Plugs/Receptacles 116 Cable Connectors 118 Electrode Holders/Work Clamps 120 Labels 121 Power Terminal Parts/Receptacles and Plugs 122 True Blue Warranty 123 |

Distributed By:

