



Miller

The Power of Blue®



2015

PARTS CATALOG

Orders: PHONE 1 (866) 931-9730 FAX 1 (800) 637-2315 | MillerWelds.com

MILLER SIGNATURE SERVICE PERFORMANCE YOU CAN COUNT ON...

Welcome to the 2015 Parts Catalog! Once again there are many additions that have been made to Miller's product line as a direct response to your customers' needs. For all the latest product and promotional information, stay tuned to MillerWelds.com.

Once you've had a chance to look through this year's edition, take advantage of the total convenience of one-stop shopping from Miller Service parts by utilizing our "Call Teams" listed below. Your order will then be processed by the most responsive parts delivery system in the business: Signature Service: Warranty and replacement parts support so good... it's guaranteed!

Miller Service Parts — Phone 1-866-931-9730, then depending on your needs:

Option 1	This option will get you to our experts in Customer Service. Here our team can help you with placing an order, checking status of previous orders, returning a product, and availability of product. Customer Service can also check orders or availability for TIG torches and oxy-fuel related items.		
Option 2	Select this option for assistance with determining which machine or accessories will work with your job or application. You can obtain help with safety products, helmets, Oxy Fuel Systems, Regulators, TIG torches and accessories, and with looking up part numbers.		
Option 2 Sub-Menu	1 Machines & Accessories 4 Oxy Fuel Systems & Regulators	2 Parts Look-Up 5 TIG Torches	3 Safety Products & Helmets
Option 3	If you are looking for service warranty information or technical guidance with your Miller Machine this is the option that will get you help. After pressing 3, you will then be connected to one of our friendly switchboard team members. They will direct you to the correct area that can assist you.		
Option 8	This option allows you to look up a person by name. Simply speak the persons first and last name, confirm that you have the correct person, and you will be automatically connected!		
Option 0	If you are unsure of which option to choose, you can press 0 and be connected with an operator who can direct your call.		

Signature Service 24-Hour Performance Pledge for In-Stock Items

For participating distributors, we promise to ship all in-stock items within 24 hours, or we'll upgrade to Next Day UPS at no charge.¹ This saves time for you and your customer, and reduces your expediting costs, too.

Warranty Parts Shipped Second Day UPS

We ship all available items the same day your order is received. And where applicable, we upgrade all shipments up to 35 lb to Second Day UPS, free of charge.¹

Signature Service Parts Orders Shipped Second Day UPS

Where applicable, we upgrade all requested shipments up to 35 lb to Second Day UPS, free of charge.¹ As an added enhancement, all Signature Service back orders are now shipped Second Day UPS!

90% Fill Rates Save You Time and Money

90% first pass factory fill rates reduce back orders, and saves you a lot of receiving and accounts payable activity.

Miller's Rapid Response Helps Control Your Bottom Line

With our 24-hour response and fast shipping of in-stock parts, you don't have to stock large quantities of items to meet demand — just order as you need them! Your cash spends more time in your pocket and less time "on the shelf," reducing your overall inventory costs, or use the same dollars to stock a much greater variety of parts.

45-Day Return Policy Eliminates Excess Inventory

Our liberal 45-day return policy on standard items lets you return overages and items that are ordered in error at no charge.

¹Based on UPS standard ground delivery schedules, Second Day & Next Day upgrades aren't applicable in these states: IA, IL, IN, KY, MI, MN, MO, OH, TN, WI and WV.

SERIAL NUMBER REFERENCE

The letters of the serial numbers are very significant. Please supply the letters along with the numbers.

Yr/Month	Serial #	Style #	Yr/Month	Serial #	Style #
1967/Jan.	S-405265	S1	1998/July	KJ165696	KH26
1967/July	S-420046	S6	1999/Jan.	KK000100	KK01
1968/Jan.	T-436102	T1	1999/July	KK173909	KK26
1968/July	T-452888	T6	2000/Jan.	LA000200	LA01
1969/Jan.	U-472600	U1	2000/July	LA210095	LA27
1969/July	U-493984	U6	2001/Jan.	LB000200	LB01
1970/Jan.	W-517910	W1	2001/July	LB195125	LB26
1970/July	70-539663	70-6	2002/Jan.	LC000201	LC01
1971/Jan.	71-559155	71-1	2002/July	LC230270	LC26
1971/July	71-581468	71-6	2003/Jan.	LC361720	LD01
1972/Jan.	72-604096	72-1	2003/July	LC528000 ²	LD26
1972/July	72-626994	72-6	2004/Jan.	LE020006	LE02
1973/Jan.	HD655498	HD1	2004/July	LE260001	LE26
1973/July	HD689465	HD6	2005/Jan.	LF010001	LF01
1974/Jan.	HE730188	HE1	2005/July	LF260001	LF26
1974/July	HE778187	HE6	2006/Jan.	LG010001	LG01
1975/Jan.	HF821067	HF1	2006/July	LG260001	LG26
1975/July	HF860240	HF6	2007/Jan.	LH010001	LH01
1976/Jan.	HG000500	HG1	2007/July	LH260001	LH26
1976/July	HG044257	HG6	2008/Jan.	LJ010001	LJ01
1977/Jan.	HH000500	HH1	2008/July	LJ260001	LJ26
1977/July	HH050101	HH6	2009/Jan.	LK010001	LK01
1978/Jan.	HJ106001	HJ1	2009/July	LK260001	LK26
1978/July	HJ169391	HJ6	2010/Jan.	MA010001	MA01
1979/Jan.	HK220001	HK1	2010/July	MA260001	MA26
1979/July	HK286000	HK27	2011/Jan.	MB010001	MB01
1980/Jan.	JA356001	JA1	2011/July	MB260001	MB26
1980/July	JA410000	JA28	2012/Jan.	MC010001	MC01
1981/Jan.	JB465001	JB1	2012/July	MC0270001	MC27
1981/July	JB522459	JB26	2013/Jan.	MD010001	MD01
1982/Jan.	JC585001	JC1	2013/July	MD270001	MD27
1982/July	JC626075	JC26	2014/Jan.	ME010001	ME01
1983/Jan.	JD660001	JD1	2014/July	ME2700001	ME27
1983/July	JD688500	JD26	2015/Jan.	MF010001	MF01
1984/Jan.	JE732465	JE1	2015/July	MF270001	MF27
1984/July	JE783729	JE27			
1985/Jan.	JF835606	JF1			
1985/July	JF905000	JF26			
1986/Jan.	JG000500	JG1			
1986/July	JG071437	JG26			
1987/Jan.	JH146311	JH16			
1987/July	JH229162	JH41			
1988/Jan.	JJ319663	JJ15			
1988/July	JJ413787	JJ41			
1989/Jan.	JK529151	JK15			
1989/July	JK636569	JK41			
1990/Jan.	KA737051	KA15			
1990/July	KA824820	KA41			
1991/Jan.	KB000500	KB15			
1991/July	KB089898	KB41			
1992/Jan.	KC170500	KC15			
1992/July	KC262180	KC41			
1993/Jan.	KD341750	KD15			
1993/July	KD449472	KD41			
1994/Jan.	KE550001	KE01			
1994/July	KE668695	KE26			
1995/Jan.	KF780420	KF01			
1995/July	KF923923	KF26			
1996/Jan.	KG041900	KG01			
1996/July	KG173969	KG26			
1997/Jan.	KH300251	KH01			
1997/July	KH438994	KH26			
1998/Jan.	KJ000100	KJ01			

Letter Business













A	Advanced Technologies Prod.
B	Light Industrial Products
C	3-Phase Industrial Products
E	Industrial Engine Driven Prod.
F	ITW Cooling Systems
G	Pipe Welding Products
H	Portable Power Products
K	Component Products
L	TIG Industrial Products
M	Fast Switch Products
N	Small Integrated MIG Systems
P	Plasma Products
Q	Performance Engine Drive
R	Commercial Power Products
S	WCC/Parts Business
T	Tregakiss
U	Advanced Manufacturing Sys.
W	Wire Feed Systems
Y	Troy Equipment
Z	Other

Some serial numbers STARTING in 2003 have a letter at the end of the serial number. See chart below for business unit letter designations. Serial number example: LG360937P

LG = 2006, 36 = Week 36, 0937 = Item 937 manufactured in week 36, P = manufactured by Plasma Products

²Maxstar 150 models used the LD serial number prefix in 2003. Note: Style number replaces serial numbers on some models.

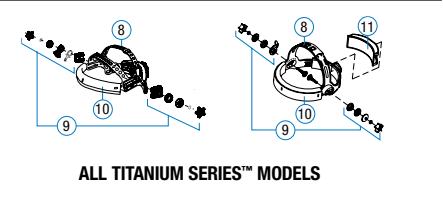
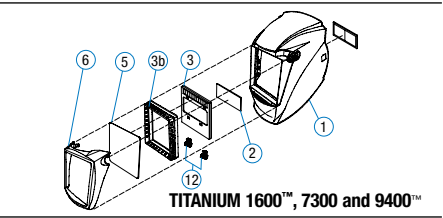
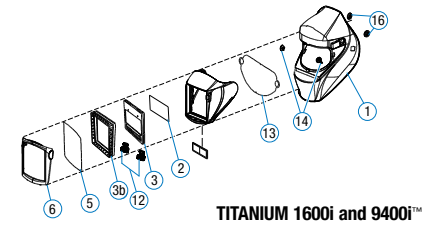
Contents

4		Welding Protection Head and Face 4 Heat Stress and Respiratory 7
10		MIG Guns Miller MIG Gun/Machine Reference 10 M-Series MIG Gun Parts/Consumables 11 MIG Bulk Consumables 14 Roughneck MIG Gun Parts/Consumables 15 Bernard MIG Gun Parts/Consumables 17 Pipeworx MIG Gun Parts/Consumables 22 Pipepro Dura-Flux XC Parts/Consumables 24 Bernard MIG S-Gun Parts/Consumables 25 Bernard Dura-Flux Parts/Consumables 26 Ironmate Flux Cored Gun Parts/Consumables 27 Hobart MIG Gun/Machine Reference 30 Hobart MIG Gun Parts/ Reference 30 Millermatic Service Parts 34
35		Spool Guns Miller Spool Gun Parts/Consumables 35
46		Drive Rolls Miller Drive Rolls, Guides and Kits 46 Hobart Drive Rolls, Guides and Kits 50
51		Submerged Arc Torch Parts/Consumables 51
55		Plasma Cutting Plasma Torches/Machine Reference 55 XT Torch Parts/Consumables 57 ICE Torch Parts/Consumables 60 HP Torch Parts/Consumables 72
51		Gas Equipment Hose Fittings 73 Pressure Gauges & Filters 73 Gas Hoses 74 Repair Parts 76 Smith Equipment 77
83		Engine Drives Portable Engine Drive Service Parts 83 Portable Engine Drive Tune-Up Components 84 Industrial Engine Drive Tune-Up Kit Components 88 Industrial Engine Drive Service Parts 90
91		Spot Welders Tongs and Tips 91
93		TIG Torches TIG Connectors 93 Weldcraft TIG Torch Parts/Consumables 94
115		Welding Related Products Paint/Scrubs/Welplers 115
116		Service Parts Connectors/Plugs/Receptacles 116 Cable Connectors 118 Electrode Holders/Work Clamps 120 Labels 121 Power Terminal Parts/Receptacles and Plugs 122 True Blue Warranty 123

WELDING PROTECTION

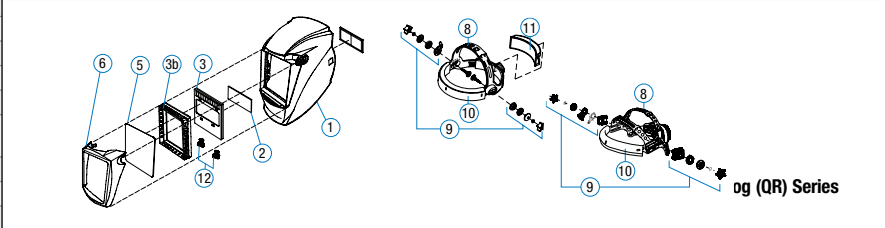
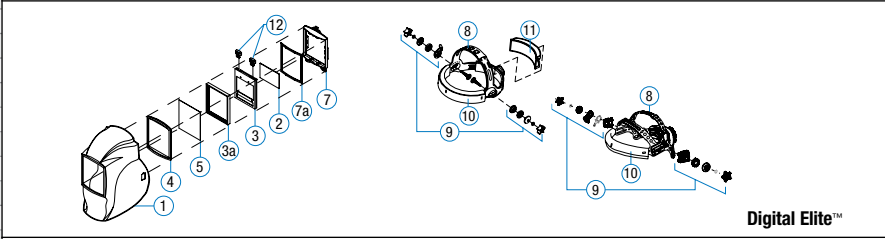
Titanium Series™

Item #	Description	TITANIUM 1600™	TITANIUM 1600i™	TITANIUM 7300™		TITANIUM 9400™		TITANIUM 9400i™	
				ANALOG	DIGITAL	ANALOG	DIGITAL	ANALOG	DIGITAL
1	Helmet shell, Titanium (QR)	243 530	245 820	243 530	258 601	243 530	258 601	245 820	245 820
2	Inside lens cover (5 1/4 x 4 1/2 in) (5-pkg)	235 628	235 628	-	-	-	-	-	-
	Inside lens cover (4 1/4 x 2 in) (5-pkg)	-	-	770 237	770 237	-	-	-	-
	Inside lens cover (4 1/4 x 2 1/2 in) (5-pkg)	-	-	-	-	216 327	216 327	216 327	216 327
3	Auto-darkening lens assembly	-	-	245 816	256 358	245 817	256 359	245 817	256 360
	Filter plate	235 630	235 630	-	-	-	-	-	-
3b	Gasket, Lens assembly (QR)	245 813	245 813	245 814	241 977	241 977	241 977	241 977	241 977
5	Front lens cover (4 11/16 x 5 5/8 in) (5-pkg)	216 326	216 326	216 326	216 326	216 326	216 326	216 326	216 326
6	Front lens holder, Titanium	243 396	245 815	243 396	243 396	243 396	243 396	245 815	245 815
8	Ratchet headgear assembly (includes #9 & #10)	770 246	770 246	770 246	256 174	770 246	256 174	770 246	256 174
9	Adjustment angle/stop hardware kit	770 248	770 248	770 248	256 178	770 248	256 178	770 248	256 178
10	Fabric headband	770 249	770 249	770 249	770 249	770 249	770 249	770 249	770 249
	Replacement o-rings for kits #258 178 & #770 248 (5 per pkg)	079 975	079 975	079 975	079 975	079 975	079 975	079 975	079 975
11	Comfort cushion	216 336	216 336	216 336	-	216 336	-	216 336	-
12	Battery tray, kit (left/right)	-	-	216 339	216 339	216 339	216 339	216 339	216 339
	Battery, lithium CR2450 (not shown)	-	-	217 043	217 043 (2)	217 043 (2)	217 043 (2)	217 043 (2)	217 043 (2)
13	Lens, Grinding Shield (Clear)	-	245 818	-	-	-	-	245 818	245 818
14	Clips, Retaining Grinding Shield	-	245 819	-	-	-	-	245 819	245 819
15	Button, Replacement External Grind	-	-	-	256 179	-	256 179	-	-
16	Clips, Visor Hinge (i-Series Shell)	-	255 070	-	-	-	-	255 070	255 070
17	Lens Tear-Off, Grind Shield (Clear) (not shown)	-	254 278	-	-	-	-	254 278	254 278
18	Kit, Weld Shield Hinge	-	269 929	-	-	-	-	269 929	269 929



Digital Elite™ Series

Item #	Description	Elite Analog	Elite Digital
1	Helmet shell, Black	216 331	216 331
	Helmet shell, Black (QR)	241 976	241 976
	Helmet shell, Red Flame	216 332	216 332
	Helmet shell, Camouflage	227 190	227 190
	Helmet shell, Stars and Stripes III	265 709	265 709
	Helmet shell, Inferno	223 454	223 454
	Helmet shell, Lucky's Speed Shop	237 872	237 872
	Helmet shell, UA Series 1	229 366	229 366
	Helmet shell, Hockey Canada	245 136	245 136
	Helmet shell, Joker (Black)	247 058	247 058
	Helmet shell, Dig Camo	248 261	248 261
	Helmet shell, Fury	256 172	256 172
	Helmet shell, Vintage Roadster	260 086	260 086
	Helmet shell, Not Forgotten	260 128	260 128
	Helmet shell, Cat® - 1st Edition	268 619	268 619
	Helmet shell, Blue Flame	269 274	269 274
	Helmet shell, Hot Rod Garage	269 947	269 947
2	Inside lens cover (4 1/4 x 2 1/2 in) (5-pkg)	216 327	216 327
3	Auto-darkening lens assembly	216 328	256 469
3a	Gasket, auto-darkening lens assy	234 758	234 758
3b	Gasket, Lens assembly (QR)	241 977	241 977
4	Gasket, front lens	216 337	216 337
5	Front lens cover (4 11/16 x 5 5/8 in) (5-pkg)	216 326	216 326
6	Front lens holder, Black, flat	241 978	241 978
7	Frame, lens holding	216 335	234 759
8	Ratchet headgear assembly (includes #9 & #10)	770 246	256 174
9	Adjustment angle/stop hardware kit	770 248	256 178
10	Fabric headband	770 249	770 249
	Replacement o-rings for kits #258 178 & #770 248 (5 per pkg)	079 975	079 975
11	Comfort cushion	216 336	-
12	Battery tray, kit (left/right)	216 339	216 339
	Battery, lithium CR2450 (not shown)	217 043 (2)	217 043 (2)





Digital Performance Series™

Item #	Description	Performance Series		
		ANALOG	DIGITAL	
1	Helmet shell, Black	232 020	232 020	
	Helmet shell, American Eagle	232 021	232 021	
	Helmet shell, Millermatic	232 023	232 023	
	Helmet shell, Blue Flame	237 160	237 160	
	Helmet shell, Camouflage	241 461	241 461	
	Helmet shell, American Eagle II	265 708	265 708	
	Helmet shell, Blue Rage	241 459	241 459	
	Helmet shell, Illusion	256 171	256 171	
	Helmet shell, '64 Custom	250 533	250 533	
	Helmet shell, Velocity	260 937	260 937	
	Helmet shell, Cat® - 1st Edition	268 740	268 740	
	2	Inside lens cover (4 1/4 x 2 in) (5-pkg)	770 237	770 237
3	Auto-darkening lens assembly	232 026	256 468	
4	Gasket, front lens	232 028	232 028	
5	Front lens cover (4 1/2 x 5 1/2 in) (5-pkg)	231 921	231 921	
6	Front lens holder, Black, flat	232 030	232 030	
	Front lens holder, Gray	232 031	232 031	
	Front lens holder, Red	203 586	203 586	
	Front lens holder, Gloss Black	232 032	232 032	
	Front lens holder, Blue	232 033	232 033	
	Front lens holder, Camouflage	243 395	243 395	
	Front lens holder, Light Blue	251 278	251 278	
	Front lens holder, White	257 041	257 041	
	8	Ratchet headgear assembly (includes #9 & #10)	770 246	256 174
	9	Adjustment angle/stop hardware kit	770 248	256 178
10	Fabric headband	770 249	770 249	
	Replacement o-rings for kits #258 178 & #770 248 (5 per pkg)	079 975	079 975	
11	Comfort cushion	216 336	-	
12	Battery tray, kit (left/right)	232 027	256 730	
	Battery, lithium CR2450 (not shown)	217 043	217 043 (2)	



America's Eagle™ II
#264 851



Blue Rage™
#256 164



'64 Custom™
#256 160



Illusion™
#256 165



Camouflage
#256 163



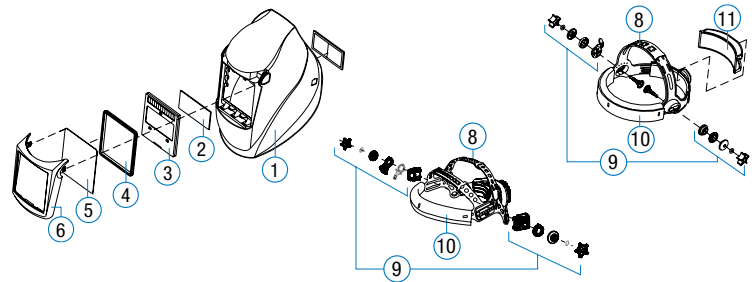
Black
#256 159



CAT® - First Edition
#268 739



©2014 Caterpillar. CAT, CATERPILLAR, BUILT FOR IT and their design marks are registered trademarks of Caterpillar. Miller Electric Mfg. Co., a licensee of Caterpillar Inc.



Digital/Analog Performance™ Series

Digital Pro-Hobby Series™

Item #	Description	Pro-Hobby Series	
		ANALOG	DIGITAL
1	Helmet shell, Black	231 415	231 415
	Helmet shell, American Eagle	231 416	231 416
	Helmet shell, Red Flame	231 419	231 419
	Helmet shell, Camouflage	231 418	231 418
	Helmet shell, American Eagle II	265 707	265 707
	Helmet shell, Blue Heat	250 367	250 367
	Helmet shell, Metalworks	260 087	260 087
2	Inside lens cover (4 1/4 x 1 3/4 in) (5-pkg)	231 410	231 410
3	Auto-darkening lens assembly	231 409	256 467
4	Gasket, front lens	231 412	231 412
5	Front lens cover (4 1/2 x 3 3/4 in) (5-pkg)	231 411	231 411
6	Front lens holder, Black, flat	231 572	231 572
	Front lens holder, Gray	231 573	231 573
	Front lens holder, Red	231 574	231 574
	Front lens holder, Blue	231 575	231 575
	Front lens holder, Camouflage	231 576	231 576
8	Ratchet headgear assembly (includes #9 & #10)	770 246	256 174
9	Adjustment angle/stop hardware kit	770 248	256 178
10	Fabric headband	770 249	770 249
	Replacement o-rings for kits #258 178 & #770 248 (5 per pkg)	079 975	079 975
11	Comfort cushion	216 336	-
12	Battery tray, kit (left/right)	-	256 729
	Battery, lithium CR2450 (not shown)	AAA Alkaline	217 043 (2)
	Battery cover (not shown)	231 413	-



Stars and Stripes™
#264 850



Metalworks™
#259 486



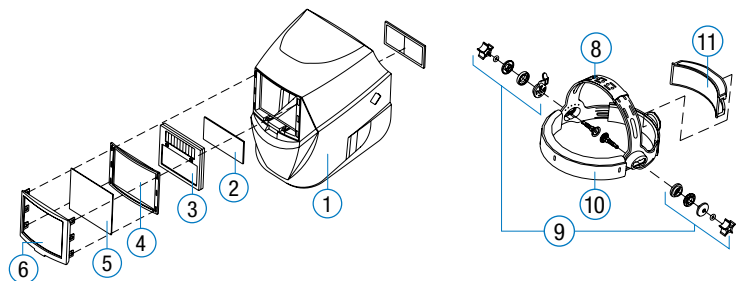
Red Flame
#256 168



Camouflage
#256 169



Black
#256 166



Digital/Analog Pro-Hobby™ Series

WELDING PROTECTION

Classic Series

Item #	Description	Classic Series			
		FS#10	VS	VSi™	FS#10 Flip-Up
1	Helmet shell, Black	231 415	231 415	261 824	231 415
2	Inside lens cover (4 1/4 x 2 in) (5-pkg)	-	-	-	770 237
	Inside lens cover (4 1/4 x 1 3/4 in) (5-pkg)	231 410	231 410	231 410	-
3	Auto-darkening lens assembly	231 571	251 293	261 826	770 226
3b	Gasket, Lens assembly (QR)	-	-	261 827	-
4	Gasket, front lens	231 412	231 412	-	-
5	Front lens cover (4 1/4 x 2 in) (5-pkg)	-	-	-	770 237
	Front lens cover (4 1/2 x 3 3/4 in) (5-pkg)	231 411	231 411	-	-
	Front lens cover (5 1/4 x 4 1/2 in) (5-pkg)	-	-	235 628	-
6	Front lens holder, Black, flat	231 572	231 572	261 828	-
7	Frame, lens holding	-	-	-	261 829
8	Ratchet headgear assembly (includes #9 & #10)	770 246	770 246	770 246	770 246
9	Adjustment angle/stop hardware kit	770 248	770 248	770 248	770 248
10	Fabric headband	770 249	770 249	770 249	770 249
	Replacement o-rings for kits #258 178 & #770 248 (5 per pkg)	079 975	079 975	079 975	079 975
11	Comfort cushion	216 336	216 336	216 336	216 336
12	Battery, lithium CR2450 (not shown)	-	AAA Alkaline	217 043	-
	Battery cover (not shown)	-	231 413	266 781	-
13	Lens, Grinding Shield (Clear)	-	-	245 818	261 830
14	Clips, Retaining Grinding Shield	-	-	245 819	-
16	Clips, Visor Hinge (i-Series Shell)	-	-	255 070	-
17	Lens Tear-Off, Grind Shield (Clear) (not shown)	-	-	254 278	-

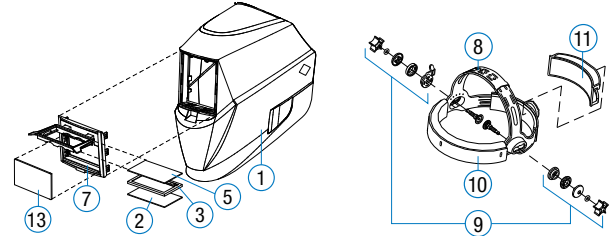


FS#10 Flip-Up
#263 038

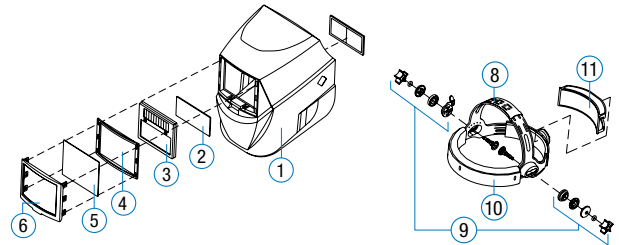
FS#10
#231 703 (4 Pk)

VSi
#260 938

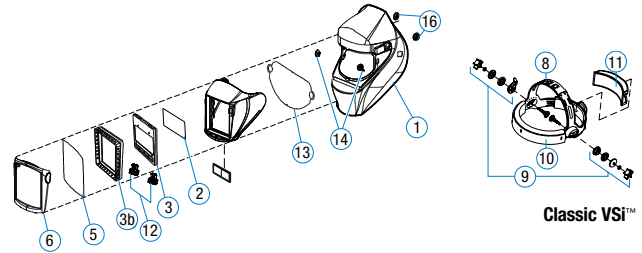
Variable Shade
#251 292



Classic Series FS#10 Flip-Up



Classic Variable Shade & FS#10



Classic VSi™

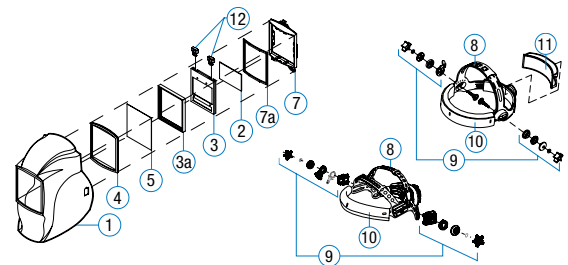
MP-10™ Series

Item #	Description	MP-10 Series
1	Helmet shell, Black	216 331
	Helmet shell, Inferno	223 454
2	Inside lens cover (5 1/4 x 4 1/2 in) (5-pkg)	235 628
3	Filter plate	235 630
4	Gasket, front lens	216 337
5	Front lens cover (4 11/16 x 5 5/8 in) (5-pkg)	216 326
7	Frame, lens holding	216 335
7a	Spacer, lens holding (MP-10)	235 629
8	Ratchet headgear assembly (includes #9 & #10)	770 246
9	Adjustment angle/stop hardware kit	770 248
10	Fabric headband	770 249
	Replacement o-rings for kits #258 178 & #770 248 (5 per pkg)	079 975
11	Comfort cushion	216 336



Inferno™
#238 496 (Each)

Black
#238 497 (Each)
#235 626 (6 Pk)



MP-10™

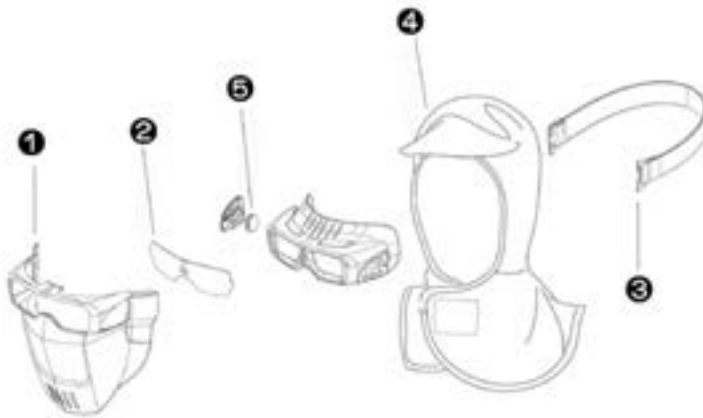


Bulk Cover Lenses

Part #	Description	Quantity
216326B	Front: Elite, Titanium, MP-10	50 pkg.
216327B	Inside: Elite, Titanium, 9400i	50 pkg.
231921B	Front: Performance	50 pkg.
770237B	Inside: Performance	50 pkg.
231411B	Front: Pro-Hobby, Classic	50 pkg.

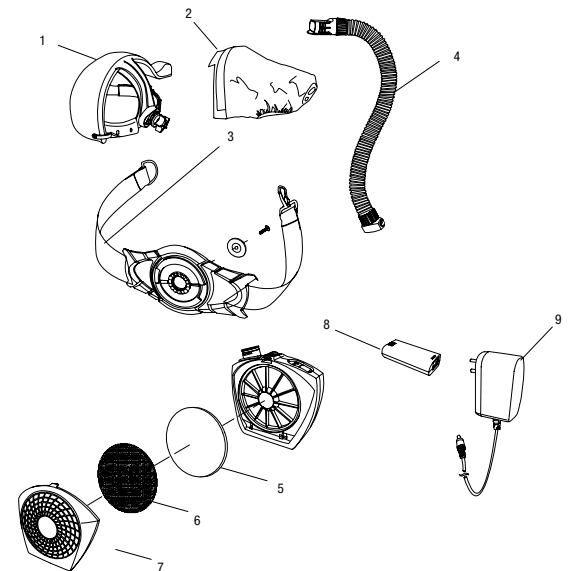
Weld-Mask™

Item #	Part #	Description	Quantity
	267 370	Weld-Mask™ Unit	
1	267 422	Guard, face	1
2	267 420	Cover, lens	1 (5 per pkg)
3	270 053	Band, head	1
4	267 421	Cover, head fr.	1
5	270 055	Battery, non-rechargeable CR2032	2 (1 per pkg)



CoolBelt™ Service Parts/Consumables

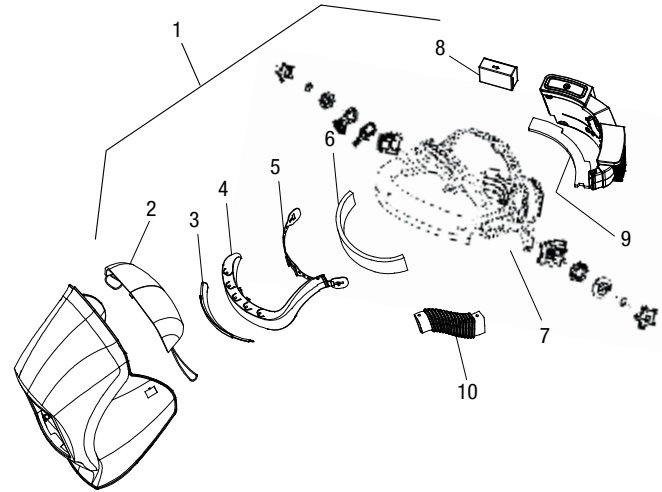
Item #	Part #	Description	Quantity
	245 230	CoolBelt unit	
1	245 235	Headgear (includes)	1
	079 975	Replacement O-rings	1 (5 per pkg)
	770 249	Fabric headband	1
2	245 236	Head shroud (hood)	1
3	245 232	Belt	1
4	245 231	Hose assembly	1
5	245 233	Filter	1 (6 per pkg)
6	247 921	Spark Arrestor	1
7	245 234	Filter cover	1
8	245 237	Battery, blower	1
9	245 238	Charger	1
	246 964	Hose cover	1



WELDING PROTECTION

CoolBand™ II Service Parts/Consumables

Item #	Part #	Description	Quantity
1	261 970	CoolBand II (entire system - helmet not included)	1
2	261 971	Shroud, head	1
3	243 930	Deflector, air	1
4	261 972	Manifold	1
5	261 973	Bracket, manifold	1
6	770 249	Headband, fabric	1
7	261 974	Headgear set (includes all knobs, headband, screws, and manifold bracket)	1
8	243 927	Battery, rechargeable lithium polymer	1
9	243 932	Filter	1 (10 per pkg)
10	261 975	Tubing, stretch	1
	261 976	Charger, Battery	1
	261 977	Battery Door	1

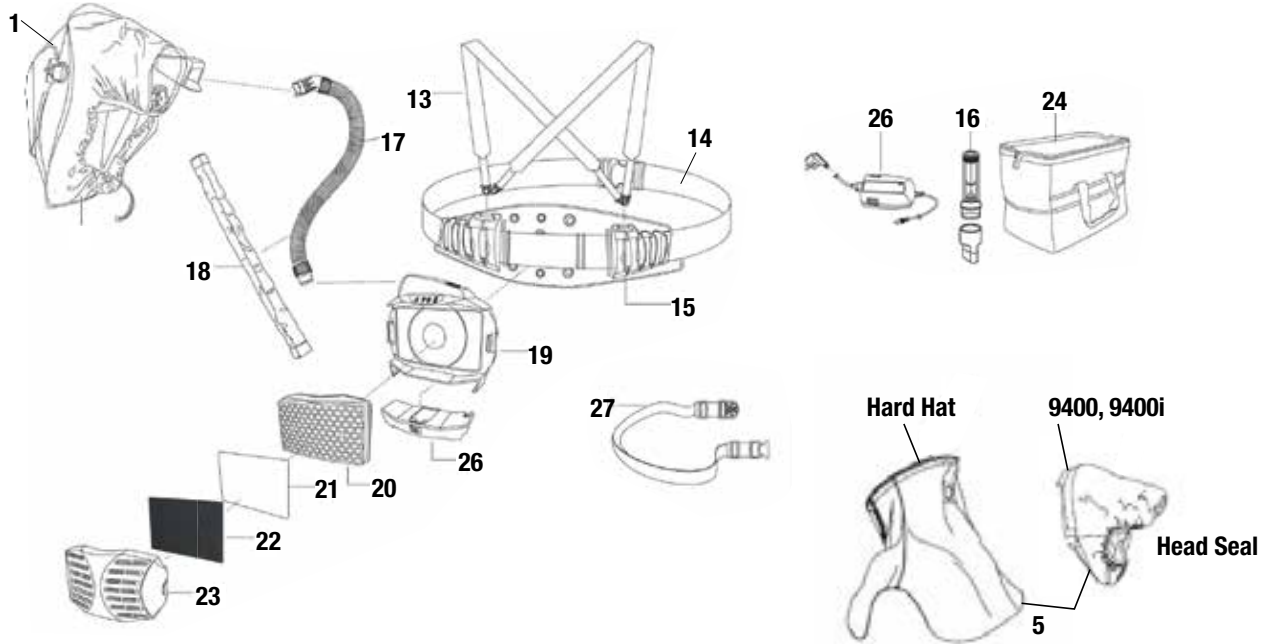


LPR-100 Half Mask Respirator

Description	Part #
LPR-100 Half Mask Respirator, Small/Medium	ML00894
LPR-100 Half Mask Respirator, Medium/Large	ML00895
LPR-100 Half Mask Respirator with Nuisance Level OV Filter, Small/Medium	ML00994
LPR-100 Half Mask Respirator with Nuisance Level OV Filter, Medium/Large	ML00995
Consumables/Accessories	
P100 Filters	SA00818
P100 Nuisance Level OV Relief Filters	SA00819
Quantitative Face-Fit Test Kit	261 086



PAPR Service Parts/Consumables



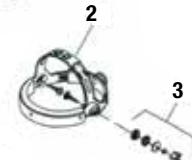
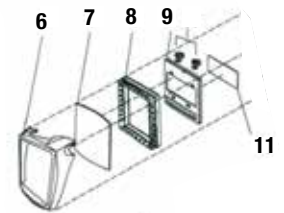


PAPR Service Parts/Consumables

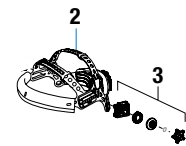
Item #	Description	PAPR w/ Titanium 9400™	PAPR w/ Titanium 9400 (New Headgear)	PAPR w/ Titanium 9400i™	PAPR w/ Titanium 9400i (New Headgear)	PAPR w/ Hard Hat
						259 385 (w/9400 Helmet) 261 659 (w/9400i Helmet)
	PAPR (Complete System w/ Helmet)	247 533 262 615*	264 879	247 531	264 877	
	PAPR (Complete System w/out Auto-Darkening Lens)	247 534 262 616*	264 882	247 532	264 878	-
	PAPR (Complete System w/out Helmet)	-	-	-	-	259 386
1	Helmet Assy. (Shell, Headgear and Headseal)	245 217 262 623*	264 883	247 471	264 884	-
	Helmet Assy. (Hard Hat, Headgear and Headseal)	-	-	-	-	259 387
2	Headgear (Includes:)	223 430	256 174	247 472	256 174	-
	Fabric Headband	770 249	770 249	770 249	770 249	-
3	Adjustment angle/stop hardware kit (w/O-rings)	770 248	256 178	770 248	256 178	-
	Replacement O-rings for kit 770248 (5 pack)	079 975	-	079 975	-	-
4	Headgear (Hard Hat)	-	-	-	-	259 388
5	Headseal	247 470	265 629	247 473	265 628	259 389
6	Lens holder, Front	243 396	243 369	245 815	245 815	243 396 (9400) 245 815 (9400i)
7	Outside Cover Lens (4-11/16 x 5-5/8)	216 326	216 326	216 326	216 326	216 326w
8	Frame/Gasket, ADF lens holding	241 977	241 977	241 977	241 977	241 977
9	Auto-Darkening Lens Assembly (Titanium) (Infotrak)	256 360 256 359*	256 359*	256 360	256 360	256 359*
10	Battery tray kit (left/right)	216 339	216 339	216 339	216 339	216 339
	Battery, Lens (Lithium CR2450)	217 043 (2)	217 043 (2)	217 043 (2)	217 043 (2)	217 043 (2)
11	Inside Cover Lens (4-1/4 x 2-1/2) (5 pack)	216 327	216 327	216 327	216 327	216 327
12	Lens, Grinding Shield (Titanium 9400i)	-	-	245 818	245 818	-
	Tear-away, Grinding Shield	-	-	254 278	254 278	-
	Clip, Retaining Grinding shield (left/right)	-	-	245 819	245 819	-
	Kit, Weld Shield Hinge	-	-	269 929	269 929	-
13	Shoulder Straps	235 680	235 680	235 680	235 680	235 680
14	Belt	235 679	235 679	235 679	235 679	235 679
15	Belt Pad	239 636	239 636	239 636	239 636	239 636
16	Flowmeter	245 219	245 219	245 219	245 219	260 890
17	Breathing Tube Assembly	245 218	245 218	247 474	245 218	259 392
18	Breathing Tube Cover, Flame-resistant	245 367	245 367	239 571	245 367	239 571
	O-ring, Breathing Tube	237 452	237 452	237 452	237 452	259 394
19	Blower Assembly	235 672	235 672	235 672	235 672	235 672
	Kit, Battery Contact	269 930	269 930	269 930	269 930	269 930
20	Filter, Particulate (HEPA) (2 pack)	235 673-2	235 673-2	235 673-2	235 673-2	235 673-2
	Filter, Particulate (HEPA) (6 pack)	235 673-6	235 673-6	235 673-6	235 673-6	235 673-6
	Filter, Particulate (HEPA) (36 pack)	235 673-36	235 673-36	235 673-36	235 673-36	235 673-36
21	Filter, prefilter (foam)	235 674	235 674	235 674	235 674	235 674
22	Spark Guard	235 676	235 676	235 676	235 676	235 676
23	Filter Cover	235 677	235 677	235 677	235 677	235 677
24	Tool Bag	228 028	228 028	228 028	228 028	228 028
25	Battery, Blower	244 131	244 131	244 131	244 131	244 131
26	Charger	244 132	244 132	244 132	244 132	244 132
27	Belt Extension	244 151	244 151	244 151	244 151	244 151
28	Hard Hat (for PAPR)	-	-	-	-	259 460
29	Slotted Hard Hat Adapter	-	-	-	-	259 637
	Lens, Clear (Hard Hat Headseal)	-	-	-	-	259 390
	Button, Replacement External Grind	-	256 179	-	-	256 179

* Indicates part number features external grind control button.

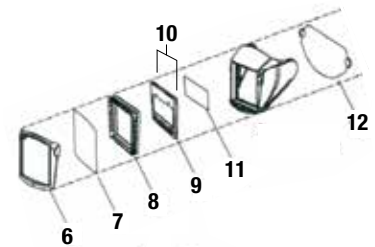
PAPR w/ Titanium 9400 Helmet



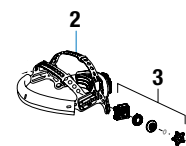
w/ New Headgear



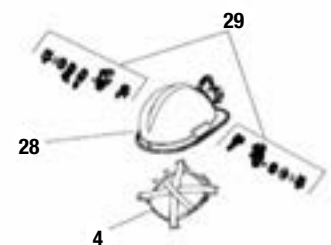
PAPR w/ Titanium 9400i Helmet



w/ New Headgear



PAPR w/Hard Hat



Miller MIG Gun History

Model Name	Serial Number Effective	Original Gun Breakdown	Recommended Replacement Gun (\$)	Amperage of Gun	Wire Size	Replacement Gun Breakdown
Sidekick™ XL/ Cricket®	All Serial Numbers	GA-16C N/A	M-100 part number 248282 10 ft	100A at 100 % Duty Cycle	.030-.035 (0.8-0.9 mm)	pg 18
Cricket®	All Serial Numbers	GA-16C1 N/A	M-100 W/Friction terminals part number 220606 10 ft	100A at 100 % Duty Cycle	.030-.035 (0.8-0.9 mm)	pg 18
Sidekick™ XL/ Cricket®/ Millermatic® 90	All Serial Numbers	GA-17C N/A	M-100 part number 248282 10 ft	100A at 100 % Duty Cycle	.030-.035 (0.8-0.9 mm)	pg 18
			M-150 10 ft part number 249039	150A at 100% Duty Cycle	.030-.035 (0.8-0.9 mm)	pg 18
			M-150 12 ft part number 249040			
Millermatic®120/150	Prior to KF849783	GA-17C N/A	M-150 10 ft part number 249039	150A at 100% Duty Cycle	.030-.035 (0.8-0.9 mm)	pg 18
	Effective with KF849783	M-15 N/A	M-150 12 ft part number 249040			
Millermatic®130 XP	Prior to KK110539	10-A N/A	M-100 part number 248282 10 ft	100A at 100 % Duty Cycle	.030-.035 (0.8-0.9 mm)	pg 18
	Effective with KK110539	M-10	M-150 10 ft part number 249039	150A at 100% Duty Cycle	.030-.035 (0.8-0.9 mm)	pg 18
			M-150 12 ft part number 249040			
Millermatic®135/140s/175/180/DVI™s/211	All Serial Numbers	M-10 N/A	M-100 part number 248282 10 ft	100A at 100 % Duty Cycle	.030-.035 (0.8-0.9 mm)	pg 18
		pg 17	M-150 10 ft part number 249039	150A at 100% Duty Cycle	.030-.035 (0.8-0.9 mm)	pg 18
			M-150 12 ft part number 249040			
Millermatic®Challenger™	All Serial Numbers	M-15 N/A	M-100 part number 248282 10 ft	100A at 100 % Duty Cycle	.030-.035 (0.8-0.9 mm)	pg 18
		pg 17	M-150 10 ft part number 249039	150A at 100% Duty Cycle		
			M-150 12 ft part number 249040			
Millermatic® Challenger™ 172	Prior to KK118238	10-A N/A	M-100 part number 248282 10 ft	100A at 100 % Duty Cycle	.030-.035 (0.8-0.9 mm)	pg 18
	Effective with KK118238	M-10 N/A	M-150 10 ft part number 249039	150A at 100% Duty Cycle	.030-.035 (0.8-0.9 mm)	pg 18
		pg 17	M-150 12 ft part number 249040			
Millermatic®185	All Serial Numbers	M-15 N/A	M-150 10 ft part number 249039	150A at 100% Duty Cycle	.030-.035 (0.8-0.9 mm)	pg 18
		pg 17	M-150 12 ft part number 249040			
Millermatic®200	GA-20C	M-25	M-25 10 ft part number 169594	250A at 100% Duty Cycle	.030-.035 (0.8-0.9 mm)	pg 19
		pg 19	M-25 12 ft part number 169596			
			M-25 15 ft part number 169598			
Millermatic®210/212/250X/251/252	All Serial Numbers	M-25	M-25 10 ft part number 169594	250A at 100% Duty Cycle	.030-.035 (0.8-0.9 mm)	pg 19
		pg 19	M-25 12 ft part number 169596			
			M-25 15 ft part number 169598			
Millermatic® 250	Prior to KF851980	GA-21C N/A	M-25 10 ft part number 169594	250A at 100% Duty Cycle	.030-.035 (0.8-0.9 mm)	pg 19
	Effective with KF851980	M-25 pg 19	M-25 12 ft part number 169596			
			M-25 15 ft part number 169598			
Millermatic®Vintage	All Serial Numbers	GA-20C; N/A	M-25 10 ft part number 169594	250A at 100% Duty Cycle	.030-.035 (0.8-0.9 mm)	pg 19
		GA-21C; N/A	M-25 12 ft part number 169596			
		M-25 pg 19	M-25 15 ft part number 169598			
Millermatic®300	All Serial Numbers	M-40 N/A	Roughneck C-4010 10 ft part number 194754	400A at 100% Duty Cycle	.035-.045 (0.9-1.2 mm)	pg 22
			Roughneck C-4010 12 ft part number 194755			
			Roughneck C-4010 15 ft part number 194756			
Millermatic® 300 without gun		No Gun	Roughneck C-4012 12 ft part number 194755	400A at 100% Duty Cycle	.035-.045 (0.9-1.2 mm)	pg 22
Millermatic® 350	Prior to LE443589	Roughneck C-4012	Roughneck C-4012 12 ft part number 194755	400A at 100% Duty Cycle	.035-.045 (0.9-1.2 mm)	pg 22
	Effective with LE443589	Q3015AE8XM	Q3015AE8XM	.045		pg 24
Millermatic® Passport™/ Passport™ Plus	All Serial Numbers	M-10 N/A	M-100 part number 248282 10 ft	150A at 100% Duty Cycle	.030-.035 (0.8-0.9 mm)	pg 18
		pg 17	M-150 10 ft part number 249039	150A at 100% Duty Cycle		pg 18
			M-150 12 ft part number 249040			
			M-150 15 ft part number 249041			
Millermatic® Pulsar	All Serial Numbers	M-15 N/A	M-150 10 ft part number 249039	150A at 100% Duty Cycle	.035-.045 (0.9-1.2 mm)	pg 18
		pg 17	M-150 12 ft part number 249040			
			M-150 15 ft part number 249041			

Optional Gun: M-25 Gun, Part Number 169 599, 15ft. 250A at 100% Duty Cycle, Wire Size (.035-.045in)



MIGmatic™ M-Series
100–250 Amp, Semi-Automatic,
Air-Cooled MIG Welding Guns



M-Series Consumable Kits (#234 607, #234 608, #234 609)

To better serve you, Miller has introduced six improved, affordable MIG consumable kits that are compatible with the M-Series guns. Each kit contains consumables that are specific to your welding application, including gun type and wire size.

- 234 607—M-10/15, M-100/150 Gun, .023" Wire
 - 234 608—M-10/15, M-100/150 Gun, .030" Wire
 - 234 609—M-10/15, M-100/150 Gun, .035" Wire
- Consumable kits 234 607, 234 608 and 234 609 contain 10 contact tips, 1 nozzle and 1 contact tip adapter.

- 234 610—M-25 Gun, .030" Wire
- 234 611—M-25 Gun, .035" Wire
- 234 612—M-25 Gun, .045" Wire

Consumable kits 234 610, 234 611 and 234 612 contain 10 contact tips, 1 nozzle, 1 contact tip adapter and 1 nozzle adapter.

Accessories

For a complete listing of gun consumables information, please refer to pages 11–14.



M-10/M-15 Service Parts/Consumables

Item #	Part #	Description	Quantity
	195 605 (N/A)	M-10 Gun, 10 ft (3 m), 100A, .030-.035 (0.8-0.9 mm)	M-10 / M-15
	169 589 (N/A)	M-15 Gun, 10 ft (3 m), 150A, .030-.035 (0.8-0.9 mm)	
	169 591 (N/A)	M-15 Gun, 12 ft (3.7 m), 150A, .030-.035 (0.8-0.9 mm)	
	169 593 (N/A)	M-15 Gun, 15 ft (4.6 m), 150A, .030-.035 (0.8-0.9 mm)	
1	169 715	Nozzle, slip type, .500 (12.7 mm) orf flush	1 1 (2 per pkg)
	226 190	Nozzle, slip type, flux cored	1 1
2	087 299	Tip, contact scr, .023 (0.6 mm) wire x 1.125	1 1 (10 per pkg)
	000 067	Tip, contact scr, .030 (0.8 mm) wire x 1.125	1 1 (10 per pkg)
	000 068	Tip, contact scr, .035 (0.9 mm) wire x 1.125	1 1 (10 per pkg)
	000 069	Tip, contact scr, .045 (1.2 mm) wire x 1.125	1 1 (10 per pkg)
3	169 716	Adapter, contact tip	1 1 (2 per pkg)
4	170 470	Ring, retaining	1 1
5	169 718	Tube, head	1 1
6	169 738	Nut, locking handle	1 2
7	169 719	Nut, jam (gun end)	1 1
8	169 737	Handle	1 2
9	169 741 (N/A)	Strain Relief, cable	— 2
10	227 800	Cord Assembly	1 1
11	209 495	Connector, feeder—M-10 (includes)	1 —
11	209 486	Connector, feeder—M-15 (includes)	— 1
12	079 974	O-Ring, .500 ID x .103CS rbr	2 2
13	194 010	Kit, liner monocoil .023/.025 (0.6 mm) wire x 15 ft (includes)	1 1
13	194 011	Kit, liner monocoil .030-.035 (0.8-0.9 mm) wire x 15 ft (includes)	1 1
14	079 975	O-Ring, .187 ID x .103CS rbr	1 1
15	227 798	Switch, Red trigger	1 1
16	079 878	Housing Plug and Pins	1 —
	079 531	Connector, circ cpc clamp str rlf	1 —
17	169 736	Terminal Block	— 1

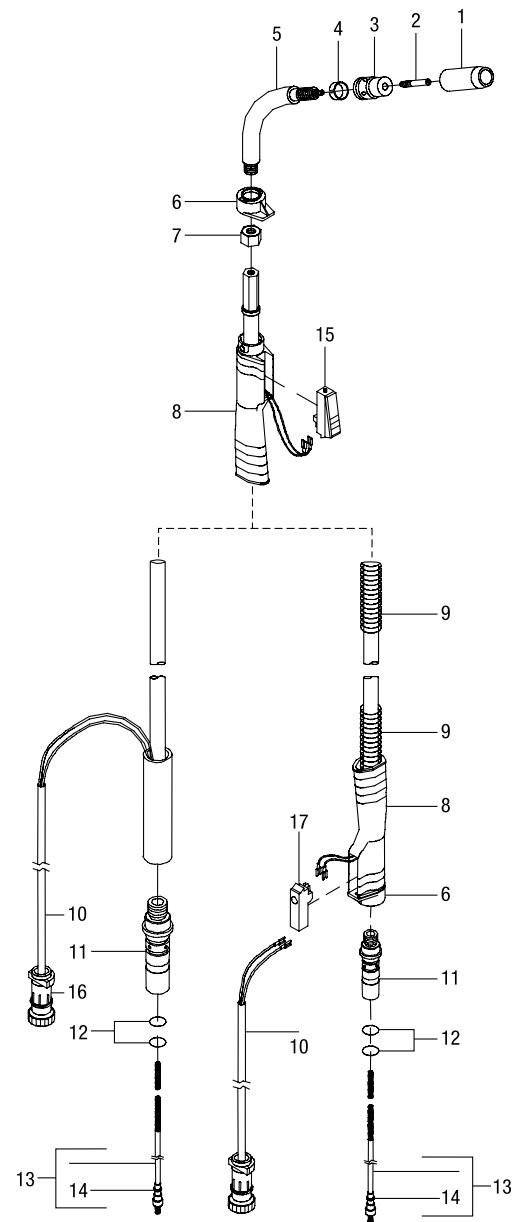
M-Series MIG Guns

*For a detailed listing, please reference page 10.

Model	Stock #	Length	Rating and Duty Cycle (CO ₂) ¹	Wire Size
M-100	248 282	10 ft (3 m)	100 A at 100% Duty Cycle	.030-.035 in (0.8-0.9 mm)
	220 606 ²			
M-150	249 039	10 ft (3 m)	150 A at 100% Duty Cycle	.030-.035 in (0.8-0.9 mm)
	249 040	12 ft (3.7 m)		
	249 041	15 ft (4.6 m)		
M-25	169 594	10 ft (3 m)	250 A at 100% Duty Cycle	.030-.035 in (0.8-0.9 mm)
	169 596	12 ft (3.7 m)		
	194 805 ³	12 ft (3.7 m)		
	169 598	15 ft (4.6 m)		
	169 599	15 ft (4.6 m)	250 A at 100% Duty Cycle	.035-.045 in (0.9-1.2 mm)

¹60% with mixed gases ²#220 606 is an M-100 gun with friction terminals for the Miller Cricket.[®]

³#194 805 is an M-25 gun with friction lugs for the Hobart Beta-MIG 2510.



M-10 Gun

M-15 Gun

M-100/M-150 Service Parts/Consumables

Item #	Part #	Description	Quantity M-100 / M-150	
	248 282	M-100 Gun, 10 ft (3 m), 100A, .030-.035 (0.8-0.9 mm)		
	249 039	M-150 Gun, 10 ft (3 m), 150A, .030-.035 (0.8-0.9 mm)		
	249 040	M-150 Gun, 12 ft (3.7 m), 150A, .030-.035 (0.8-0.9 mm)		
	249 041	M-150 Gun, 15 ft (4.6 m), 150A, .030-.035 (0.8-0.9 mm)		
1	246 372	Nozzle, slip type, .500 (12.7 mm) orf flush	1	1 (2 per pkg)
	226 190	Nozzle, slip type, flux cored	1	1
2	087 299	Tip, contact scr, .023 (0.6 mm) wire x 1.125	1	1 (10 per pkg)
	000 067	Tip, contact scr, .030 (0.8 mm) wire x 1.125	1	1 (10 per pkg)
	000 068	Tip, contact scr, .035 (0.9 mm) wire x 1.125	1	1 (10 per pkg)
	000 069	Tip, contact scr, .045 (1.2 mm) wire x 1.125	1	1 (10 per pkg)
3	170 470	Ring, retaining	1	1
4	169 716	Adapter, contact tip	1	1 (2 per pkg)
5	246 373	Tube, head	1	1
6	243 865	Nut, jam	2	2
7	246 082	Handle	1	1
8	246 376	Switch, Blue trigger	1	1
9	079 878	Housing Plug and Pins	1	1
10	242 833	Connector, feeder	1	1
11	079 974	O-Ring, .500 ID x .103CS rbr	2	2
12	194 010	Kit, liner monocoil .023/.025 (0.6 mm) wire x 15 ft (includes)	1	1
	194 011	Kit, liner monocoil .030-.035 (0.8-0.9 mm) wire x 15 ft (includes)	1	1
	194 012	Kit, liner monocoil .035-.045 (0.9-1.2 mm) wire x 15 ft (includes)	1	1
13	079 975	O-Ring, .187 ID x .103CS rbr	1	1
14	246 380	Housing, power pin	1	1

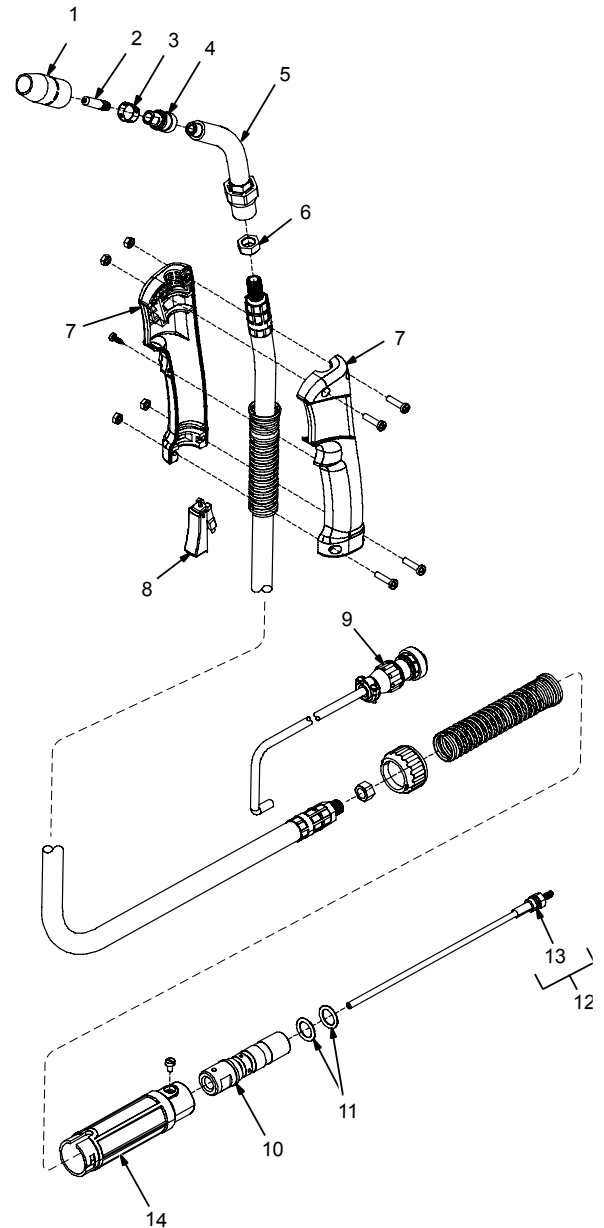
M-100 can be used on:*

- SideKick™
- SideKick™ XL/Cricket® XL/Millermatic® 90
- Millermatic® 130
- Millermatic® 130 XP
- Millermatic® 135/140s/175/180s/DVI™/211
- Millermatic® Challenger™
- Millermatic® Challenger™ 172
- Millermatic® Passport™/Passport™ Plus
- Millermatic® 141
- Millermatic® 190

M-150 can be used on:*

- SideKick™ XL/Cricket® XL/Millermatic® 90
- Millermatic® 120/150
- Millermatic® 130
- Millermatic® 130 XP
- Millermatic® 135/140s/175/180s/DVI™/211
- Millermatic® Challenger™
- Millermatic® Challenger™ 172
- Millermatic® 185
- Millermatic® Pulser

*For a detailed listing, please reference page 10.





M-25

Service Parts/Consumables

Item #	Part #	Description	Quantity
	169 594	M-25 Gun, 10 ft (3 m), 250A, .030-.035 (0.8-0.9 mm)	
	169 596	M-25 Gun, 12 ft (3.7 m), 250A, .030-.035 (0.8-0.9 mm)	
	169 598	M-25 Gun, 15 ft (4.6 m), 250A, .030-.035 (0.8-0.9 mm)	
	169 599	M-25 Gun, 15 ft (4.6 m), 250A, .035-.045 (0.9-1.2 mm)	
1	169 724	Nozzle, slip type, .500 (12.7 mm) orf .125 recess	1
	169 725¹	Nozzle, slip type, .625 (15.9 mm) orf .125 recess	1
	200 258	Nozzle, slip type, .500 (12.7 mm) orf flush	1
	169 726²	Nozzle, slip type, .625 (15.9 mm) orf flush	1
	169 727	Nozzle, slip type, .625 (15.9 mm) orf .125 stickout	1
2	087 299	Tip, contact scr, .023 (0.6 mm) wire x 1.125	1 (10 per pkg)
	000 067	Tip, contact scr, .030 (0.8 mm) wire x 1.125	1 (10 per pkg)
	000 068	Tip, contact scr, .035 (0.9 mm) wire x 1.125	1 (10 per pkg)
	000 069	Tip, contact scr, .045 (1.2 mm) wire x 1.125	1 (10 per pkg)
	172 034¹	Tip, contact scr 3/64 (1.19 mm) wire x 1.125	1 (10 per pkg)
3	169 728	Adapter, contact tip	1 (2 per pkg)
4	169 729	Adapter, nozzle	1 (2 per pkg)
5	170 468	O-Ring	1 (10 per pkg)
6	169 730	Washer, shock	1
7	169 731	Tube, head	1
8	169 738	Nut, locking handle	2
9	169 732	Nut, jam	1
10	169 737	Handle, front	1
11	227 799	Handle, rear	1
12	227 800	Cord, trigger assembly	1
13	209 495	Connector, feeder (includes)	1
14	079 974	O-Ring, .500 ID x .103CS rbr	2
15	194 010	Kit, liner monocoil .023/.025 (0.6 mm) wire x 15 ft (includes)	1
15	194 011	Kit, liner monocoil .030-.035 (0.8-0.9 mm) wire x 15 ft (includes)	1
15	194 012	Kit, liner monocoil .035-.045 (0.9-1.2 mm) wire x 15 ft (includes)	1
15	194 014¹	Kit, liner monocoil 3/64 (1.19 mm) aluminum wire x 15 ft (includes)	1
16	079 975	O-Ring, .187 ID x .103CS rbr	1
17	227 798	Switch, trigger	1
18	2520033	Cable strain relief 2 & 3	1
19	2280056	Screw	1
20	169 746	Terminal	1

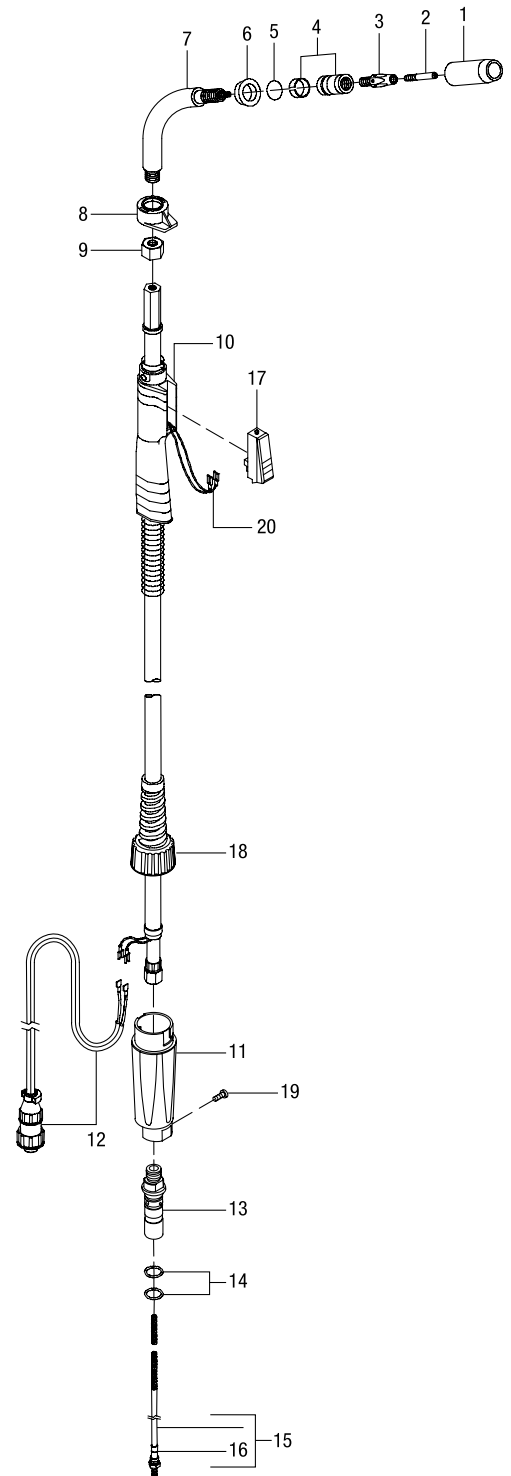
¹Included with #172 136 Kit, Aluminum Conversion .047 in (1.2 mm)

²Standard on all guns.

M-25 can be used on*:

- Millermatic® 200
- Millermatic® 210/212/250x/251/252
- Millermatic® 250
- Millermatic® Vintage
- Millermatic® Reach Wire Feeder

*For a detailed listing, please reference page 10.



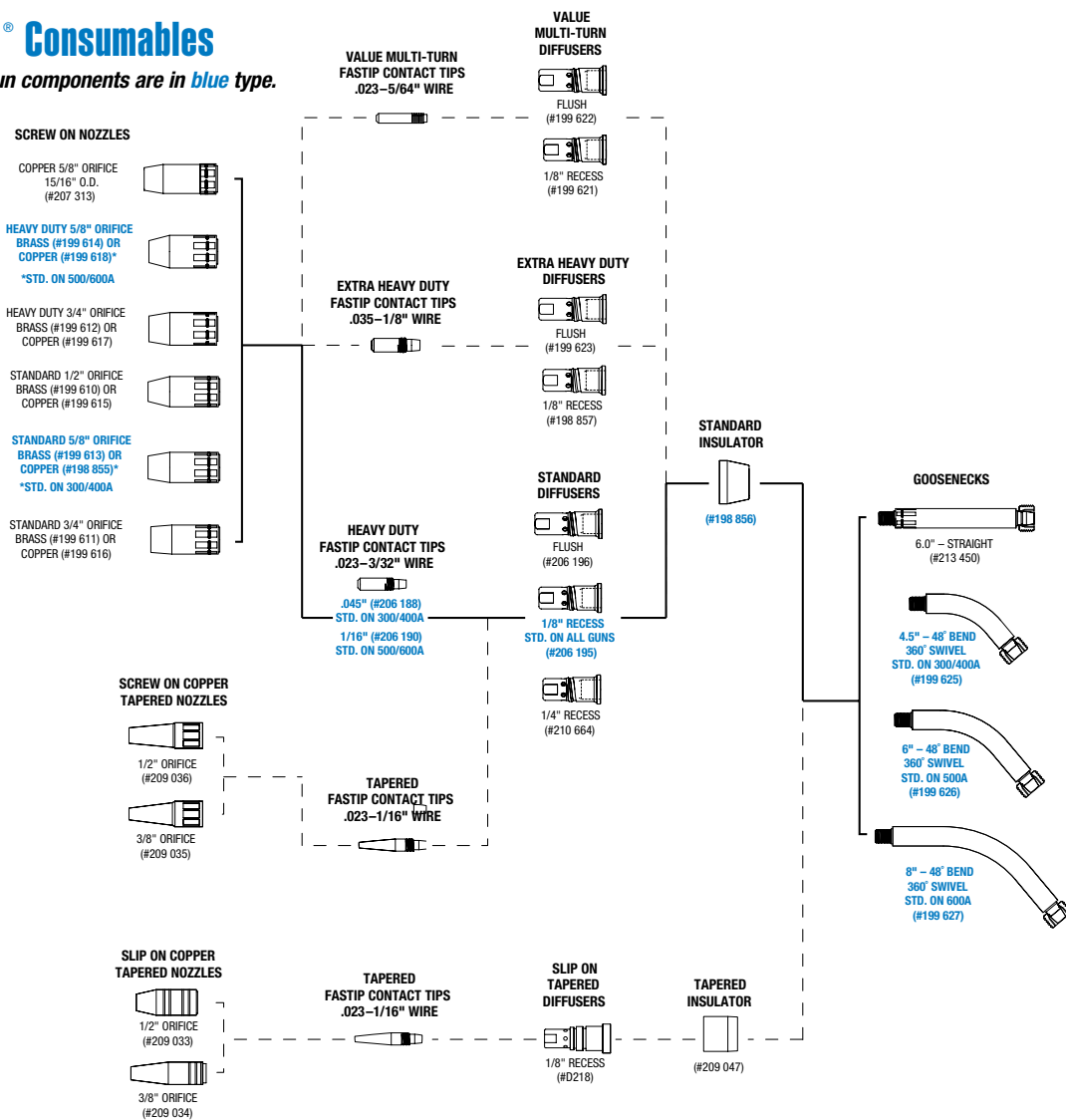
Optional M-Series Gun Nozzles and Tips

Part #	Description	Quantity
	M-25 and M-40 Tapered Nozzles	
176 243	Nozzle, Tapered 3/8 in (9.5 mm)	1
178 386	Nozzle, Tapered 11/32 in (8.7 mm)	1
	M-25 and M-40 Tapered Contact Tips (1/4 in OD x 1.312 in)	
176 797	Contact Tip, Tapered .030 in (0.8 mm)	10
176 793	Contact Tip, Tapered .035 in (0.9 mm)	10
176 794	Contact Tip, Tapered .045 in (1.2 mm)	10
	M-25 and M-40 Heavy-Duty Spray Contact Tips (5/16 in OD x 1.125 in)	
187 117	Contact Tip, Heavy Duty .035 in (0.9 mm)	25
187 118	Contact Tip, Heavy Duty .045 in (1.2 mm)	25



Roughneck® Consumables

Note: Standard gun components are in blue type.



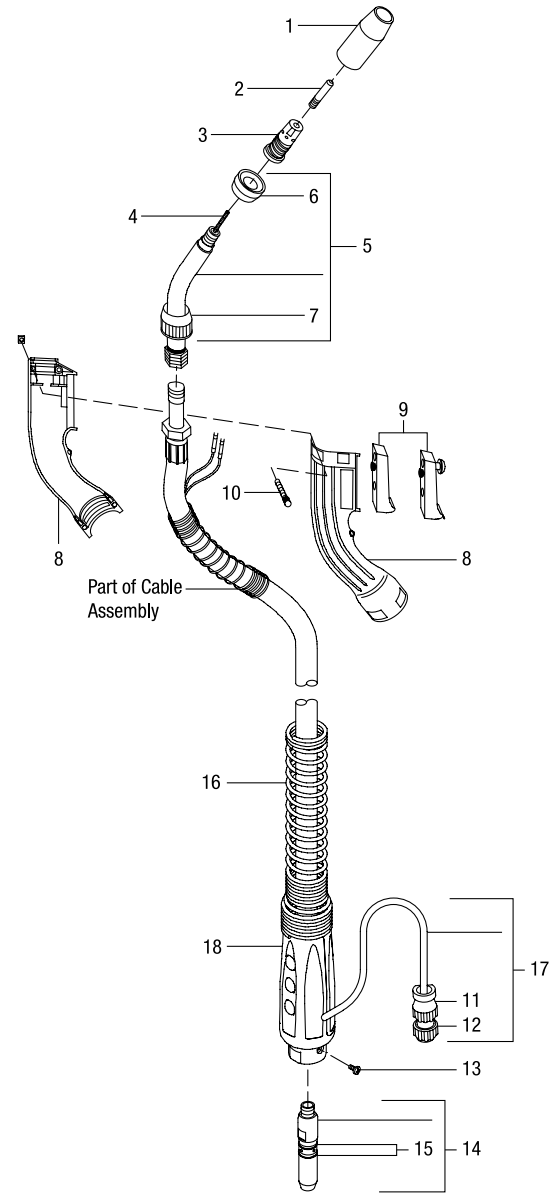
Roughneck Contact Tips

(10 p/pkg)	(25 p/pkg)	Description	(10 p/pkg)	(25 p/pkg)	Description
Heavy-Duty FasTip™			Tapered FasTip™		
—	#206 184	.023 in (0.6 mm)	—	#209 024	.023 in (0.6 mm)
—	#206 185	.030 in (0.8 mm)	—	#209 025	.030 in (0.8 mm)
#223 016	#206 186	.035 in (0.9 mm)	—	#209 026	.035 in (0.9 mm)
#223 017	#206 187	.040 in (1.0 mm)	—	#209 027	.045 in (1.2 mm)
#223 018 ¹	#206 188 ¹	.045 in (1.2 mm)	—	#209 028	3/64 in (1.2 mm)
#223 019	#206 189	.052 in (1.3 mm) or 3/64 in (1.2 mm) alum wire	—	#209 029	.052 in (1.3 mm)
#223 200 ²	#206 190 ²	1/16 in (1.6 mm)	—	#209 030	1/16 in (1.6 mm)
—	#206 191	.068 in (1.7 mm)	Value Multi-Turn		
—	#206 192	5/64 in (2.0 mm)	—	#087 300	.023 in (0.6 mm)
—	#206 193	3/32 in (2.4 mm)	—	#071 825	.030 in (0.8 mm)
Extra Heavy-Duty FasTip™			—	#054 202	.035 in (0.9 mm)
—	#199 605	.035 in (0.9 mm)	—	#054 201	.045 in (1.2 mm)
—	#199 606	.040 in (1.0 mm)	—	#199 593	3/64 in (1.2 mm) alum wire
—	#198 851	.045 in (1.2 mm)	—	#047 566	1/16 in (1.6 mm)
—	#198 852	.052 in (1.3 mm) or 3/64 in (1.2 mm) alum wire	—	#199 594	.068 in (1.8 mm)
—	#198 853	1/16 in (1.6 mm)			
—	#198 854	.068 in (1.7 mm)			
—	#199 609	7/64-1/8 in (2.8 mm)			

¹Optional
²For all gun lengths

Roughneck® C-Series Service Parts/Consumables

Item #	Part #	Description	Quantity
1*	198 855	Nozzle, scr type copper 5/8 in orifice	1
	199 618²	Nozzle, scr type copper 5/8 in orifice heavy-duty	1
2*	223 018¹	Tip, contact, .045 in (1.2 mm) heavy-duty FasTip™	1 (10 per pkg)
	206 188¹	Tip, contact, .045 in (1.2 mm) heavy-duty FasTip™	1 (25 per pkg)
	223 200²	Tip, contact, 1/16 in (1.6 mm) heavy-duty FasTip™	1 (10 per pkg)
	206 190²	Tip, contact, 1/16 in (1.6 mm) heavy-duty FasTip™	1 (25 per pkg)
3*	206 195³	Diffuser, gas 1/8 in tip recess – for standard and heavy-duty FasTip™	1
4	202 889	Liner, monocoil .023 – .030 wire x 15 ft round wound	1
	202 890¹	Liner, monocoil .035 – .045 wire x 15 ft round wound	1
	202 891²	Liner, monocoil .052 – 1/16 wire x 15 ft round wound	1
	202 892	Liner, monocoil 1/16 – .078 wire x 15 ft flat wound	1
	202 893	Liner, monocoil 5/64 – 3/32 wire x 15 ft flat wound	1
	202 894	Liner, monocoil 7/64 – 1/8 wire x 15 ft flat wound	1
	202 895	Liner, monocoil 3/64 – 1/16 wire x 15 ft aluminum wires	1
5	199 625	Gooseneck, jacketed 4.5 in/50° wrench swivel (C-30 / C-40) (includes)	1
	199 626	Gooseneck, jacketed 6 in/50° wrench swivel (C-50) (includes)	1
	199 627	Gooseneck, jacketed 8 in/50° wrench swivel (C-60) (includes)	1
	213 450	Gooseneck, jacketed 6 in/straight (optional for C-30 / C-40 / C-50 / C-60) (includes)	1
6	198 856³	Insulator, rubber	1
7	202 292	Cover, nut	1
8	199 630	Handle, small pair flared P style (C-30 / C-40 includes)	1
8	199 631	Handle, large pair (C-50 / C-60 includes)	1
	199 634	Screw, M3 x 11 (for #199 630 C-30 / C-40 Handle only)	1
	199 635	Nut, M3 Hex (for #199 630 C-30 / C-40 Handle only)	1
	199 632	Screw, M4 x 18	4
	199 633	Nut, M4 square	4
	199 647 (N/A)	Label, gun handle Miller Roughneck	2
9	199 628	Switch, blue trigger	1
	199 661 (N/A)	Switch, locking trigger (optional)	1
10	199 629	Switch, contact pin	2
11	079 531	Conn, circ cpc clamp str rlf size 11.453 OD	1
12	079 878	Housing plug + pins (service kit)	1
13	199 637	Screw, machine binding head	1
14	199 640	Adapter, Miller power pin (includes)	1
15	079 974	O-ring, Miller power pin	2
16	2520033	Cable Strain Relief 2 & 3 (300 Amp)	1
	2520041 (N/A)	Strain Relief Assy – Contact Bernard (400, 500, 600 Amp)	
17	GN2021	Electrical Plug – Non D/S (Includes items 11 & 12)	1
18	227 650	Strain Relief, Rear (works on all Amp guns)	1



Aluminum Adapter Kit #202 895

Steel wrapped nylon liner allows 10 ft Roughneck welding guns to feed 3/64–1/16 in (1.2–1.6 mm) aluminum wire.

Tweco No. 3, 4 & 5 Upgrade Kit #214 893⁴

Upgrades Tweco No. 3, No. 4, and No. 5 guns to use Roughneck consumables. Includes insulator and diffuser.

¹Standard on 300 and 400 amp guns

²Standard on 500 and 600 amp guns

³Standard on all guns

⁴Nozzle (SCR type) and contact tip not included.

Note: For a complete listing of Roughneck consumables see page 15.

Contact Bernard at 1-855-MIGWELD (644-9353) for replacement Roughneck C-Series gun.

Roughneck MIG Gun Replacement

Stock No.	Model No.	Length	Replaced by
194 751	C-3010	10 ft. (3m)	Q3010TE5EMC
194 752	C-3012	12 ft. (3.7m)	Q3012TE5EMC
194 753	C-3015	15 ft. (4.6m)	Q3015TE5EMC
194 754	C-4010	10 ft. (3m)	Q4010TE5EMC
194 755	C-4012	12 ft. (3.7m)	Q4012TE5EMC
194 756	C-4015	15 ft. (4.6m)	Q4015TE5EMC
194 757	C-5010	10 ft. (3m)	S5010GH5IMC
194 758	C-5012	12 ft. (3.7m)	S5012GH5IMC
194 759	C-5015	15 ft. (4.6m)	S5015GH5IMC

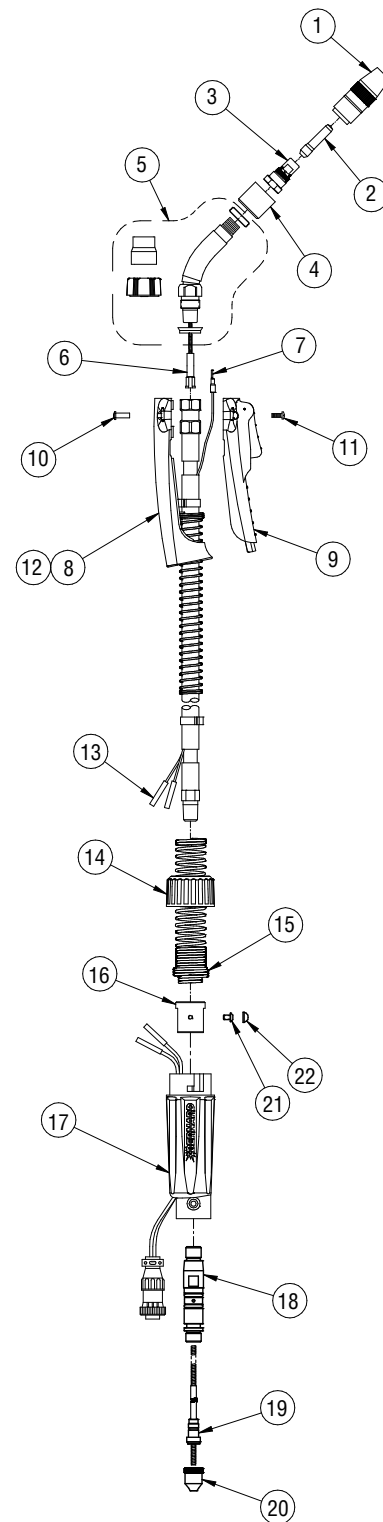
Available through Bernard™



Bernard™ 150 Amp MIG Gun Service Parts/Consumables

Item #	Part #	Description 150A
	235 570	Best of the Best, 10 ft.
1	NS-1200B	Centerfire Nozzle Assy
2	T-030	Centerfire Contact Tip
3	DS-1	Centerfire Gas Diffuser
4	4323R	Cap
5	QT2-45	Neck
6	QJL-2330	Jump Liner
7	2660001	Terminal, Quick Disconnect (2 Req'd)
8	1780062	Handle Half, Upper
9	2620054	Switch Assy, Handle Half, Lower
10	4207	Post Fastener (2 Req'd)
11	4209	Handle Screw (2 Req'd)
12	1880194' (N/A)	Handle Kit - (Includes: (1) #8, (1) #9, (2) #10, (2) #11)
13	4932' (N/A)	Butt Connector (2 Req'd)
14	2520007	Cap, Rigid Strain Relief
15	2520048	Spring, Strain Relief
16	M1010027-1' (N/A)	Adaptor Block
17	2520047M' (N/A)	Strain Relief with Trigger Cable
18	2200137' (N/A)	Miller® Power Pin
19	194011	Liner
20	214-9' (N/A)	Miller Power Pin Tip
21	2280056	Screw, Strain Relief (Not Req'd on Bernard Direct Plug)
22	1620003' (N/A)	Screw Cover, Strain Relief (1 Req'd)

**Part is only available through Benard 1-855-MIGWELD (644-9353).*



For other products not listed in catalog, please contact Bernard at 1-855-MIGWELD (644-9353) or visit Bernardwelds.com

Bernard™ 300 Amp Best of the Best MIG Gun

Service Parts/Consumables

Item #	Part # Q3015AE8XMC	Part # Q3015AE8VMC	Part # Q3015AE8HMC	Description
1	N-5800C		NS-5818C	Centerfire Nozzle
2	T-045	T-035	T-052	Centerfire Contact Tip
3	D-1		DS-1	Centerfire Gas Diffuser
4	4423R		4323R	Insulator Cap
5	QT3-45			Neck
6	QJL-3545		QJL-116	Jump Liner
7	4213B			Stay-Tite™ End Fitting
8	4305			Stay-Tite™ Cone Nut
NS	4991' (N/A)			Conduit Clamp (2 Req'd)
NS	4939' (N/A)			Jacket Clamp (2 Req'd)
9	1880155			Handle Kit, Standard
10	5662			Trigger, Standard
11	4207			Post Fastener (1 Req'd)
12	2030004' (N/A)			Post Fastener, Short (4 Req'd)
13	4209			Handle Screw (5 Req'd)
14	2660001			Terminal, Quick Disconnect (2 Req'd)
15	2520074' (N/A)			Handle Spring
16	410' (N/A)			Straight Rear Strain Relief
17	414-400' (N/A)			Adaptor Block
18	2200137' (N/A)			Miller Power Pin Assembly
19	L3A-15	L3A-15	L4A-15	Liner
20	214-116' (N/A)			Power Pin Tip
21	414-400-20' (N/A)			Power Pin Insulator
22	416-15' (N/A)			Rear Terminal Housing
23	411-3M' (N/A)			Screw, Trigger Housing (2 Req'd)
24	1620004' (N/A)			Cover, Rear Screw (2 Req'd)
25	419-4			Trigger Control Plug Assembly

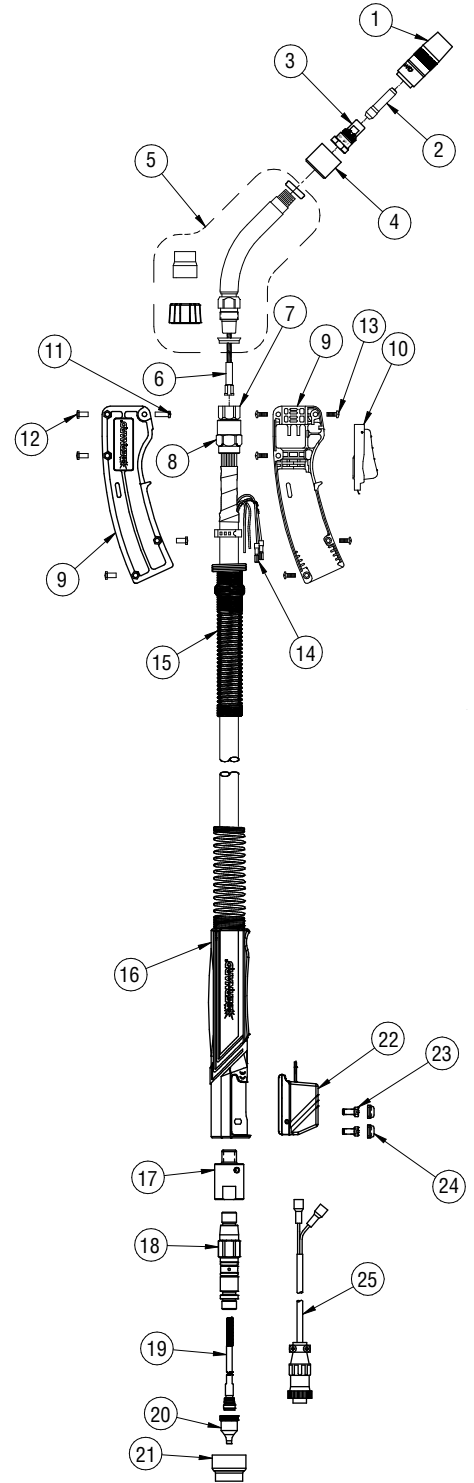
¹Part is only available through Benard 1-855-MIGWELD (644-9353).

300 Amp Best of the Best MIG Gun, Miller Connection

Part #	Intergrated Miller Product	Standard Configuration	Cable Length	Duty Cycle
Q3015AE8XMC	22A and 24A Feeders, Millermatic 350/350P	.045" (1.2 mm), Flush Tip	15' (4.57 m)	100%
Q3015AE8HMC	Suitecase 8RC, 8VS, X-TREME 8VS, 12RC, X-TREME 12VS MIG Packages	.052" (1.4 mm)	15' (4.57 m)	100%

Q3015AE8XMC can be converted to run .035" (0.9 mm) wire by simply changing the contact tip.

Q3015AE8HMC can be converted to run .045" (1.2 mm) or 1/16" (1.6 mm) wire.



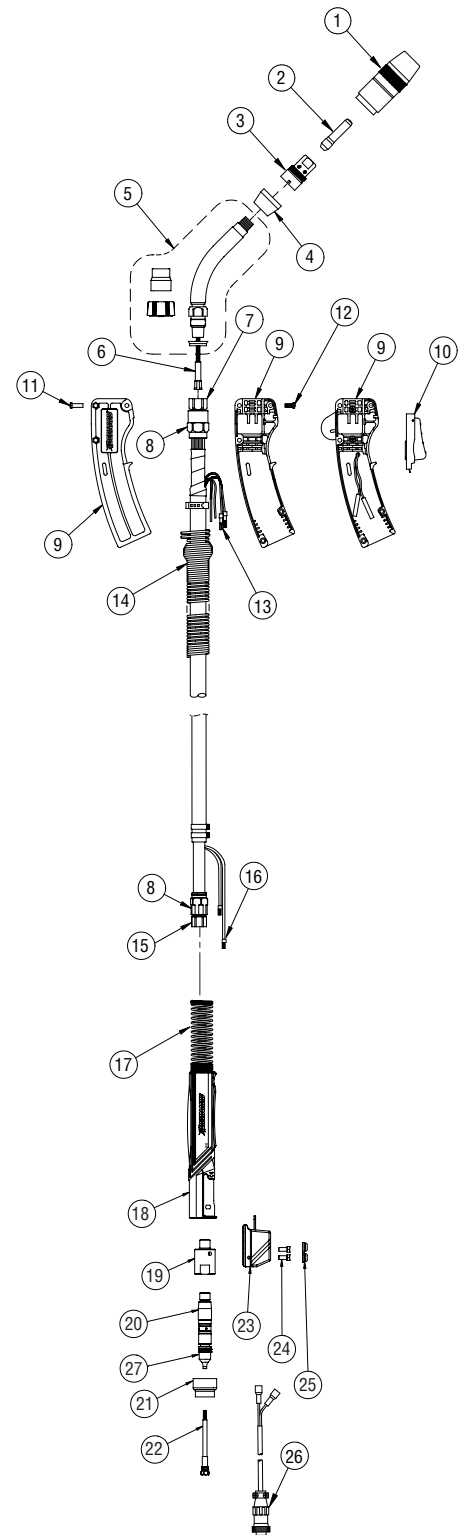
For other products not listed in catalog, please contact Bernard at 1-855-MIGWELD (644-9353) or visit Bernardwelds.com



Bernard™ 400 Amp Best of the Best MIG Gun

Service Parts/Consumables

Item #	Part #	Description
	Q4015AE8EMC	
1	N-5818C	Centerfire Nozzle
2	T-045	Centerfire Contact Tip
3	D-1	Centerfire Gas Diffuser
4	4423R	Insulator Cap
5	QT3-45	Neck
6	QJL-3545	Jump Liner
7	4313B	Stay-Tite™ End Fitting
8	1540003	Stay-Tite™ Cone Nut
NS	4992	Conduit Clamp (2 Req'd)
NS	4939	Jacket Clamp (2 Req'd)
9	1880198	Handle Kit, Standard
10	5662	Trigger, Standard
11	4207	Post Fastener (1 Req'd)
12	4209	Handle Screw (5 Req'd)
13	2660001	Terminal, Quick Disconnect (2 Req'd)
14	2520042	Handle Spring
15	1680088	End Fitting, Rear
16	412-1	Switch Connector (2 Req'd)
17	2520041	Spring, Strain Relief
18	410	Straight Rear Strain Relief
19	414-400	Adaptor Block
20	2200137	Power Pin
21	414-400-20	Power Pin Insulator
22	L3A-15	Liner
23	416-5	Terminal Housing
24	411-3M	Screw, Trigger Housing (2 Req'd)
25	1620004	Screw, Cover Rear Housing (2 Req'd)
26	419-4	Trigger Control Plug Assembly
27	214-332	Power Pin Tip



400 Amp Best of the Best MIG Gun, Miller Connection

Part #	Intergrated Miller Product	Standard Configuration	Cable Length	Duty Cycle
Q4015AE8EMC	70 Series, R-115 Feeders, All Axcess feeders	.045" (1.2 mm)	15' (4.57 m)	100%

Gun can be converted to run .035" (0.9 mm) wire by simply changing the contact tip.



For other products not listed in catalog, please contact Bernard at 1-855-MIGWELD (644-9353) or visit Bernardwelds.com

Bernard™ 500 Amp Best of the Best MIG Gun Service Parts/Consumables

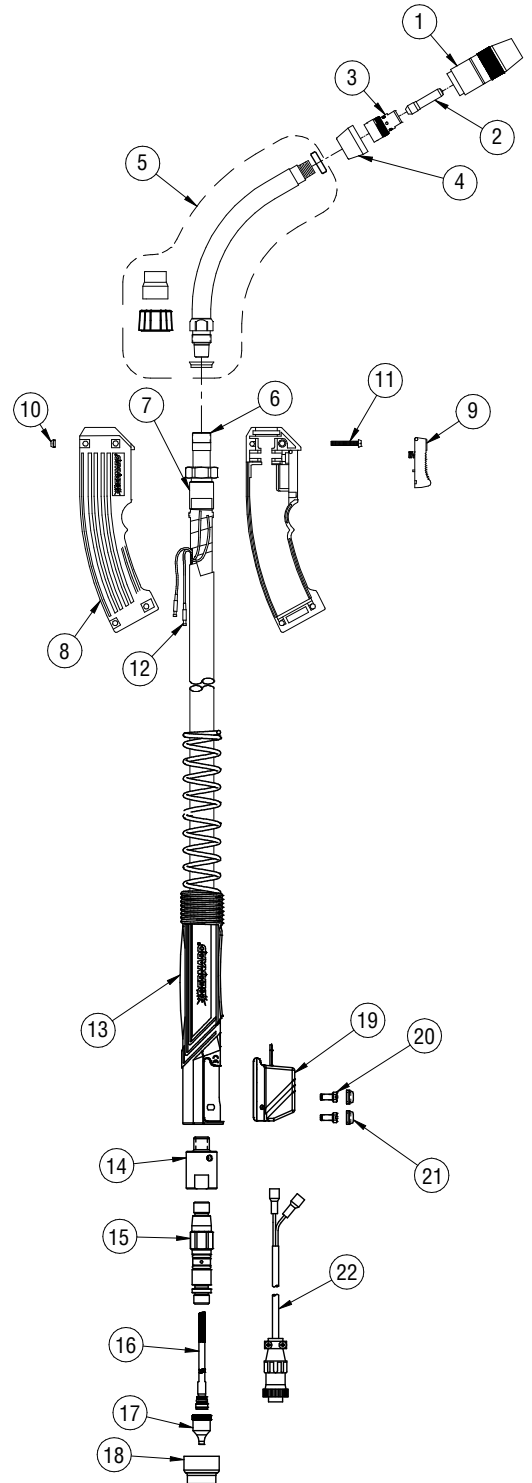
Item #	Part#	Description
	Q5015GI8LMC	
1	N-5814C	Centerfire Nozzle
2	T-094	Centerfire Contact Tip
3	D-1	Centerfire Gas Diffuser
4	4323R	Insulator Cap
5	QT5-60	Neck
6	1680050	Stay-Tite™ End Fitting
7	1540004	Stay-Tite™ Cone Nut
NS	4993	Conduit Clamp (2 Req'd)
NS	4944	Jacket Clamp (2 Req'd)
8	1880220*	Handle Kit, Standard
9	177488	Trigger, Standard
10	177272	Nut, Square (4 Req'd)
11	203296-005	Screw (4 Req'd)
12	177271	Contact Pin (2 Req'd)
13	616-70	Straight Rear Strain Relief
14	414-400	Adaptor Block
15	2200137	Miller Power Pin Assembly
16	L7A-15	Liner
17	214-332	Power Pin Tip
18	414-400-20	Power Pin Insulator
19	416-15	Rear Terminal Housing
20	411-3M	Screw, Trigger Housing (2 Req'd)
21	1620004	Cover, Rear Screw (2 Req'd)
22	419-4	Trigger Control Plug

*1880220 Handle Kit includes halves, screws and nuts

500 Amp Best of the Best MIG Gun, Miller Connection

Part #	Intergrated Miller Product	Standard Configuration	Cable Length	Duty Cycle
Q5015GI8LMC	Steel Runner™ 650	3/32" (2.4 mm)	15' (4.57 m)	100%

Gun can be converted to run .035" (0.9 mm) wire by simply changing the contact tip.



For other products not listed in catalog, please contact Bernard at 1-855-MIGWELD (644-9353) or visit Bernardwelds.com



Liners for Bernard™ 300, 400 & 500 Amp Best of the Best MIG Guns Service Parts/Consumables

Universal Conventional Liner Part Numbers

Wire Size	Liner Color	10' (3.05m)	15'(4.57m)
.023-.030	Yellow	- -	L1A-15
.030-.035	Green	- -	L2A-15 (N/A)
.035-.045	White	L3A-10* (N/A)	L3A-15*
.045-1/16	Red	L4A-10** (N/A)	L4A-15**
5/64	Blue	- -	L6A-15
3/32	Grey	- -	L7A-15
7/64 - 1/8	Black	- -	L8A-15

*Standard Liner for .035 & .045 Guns

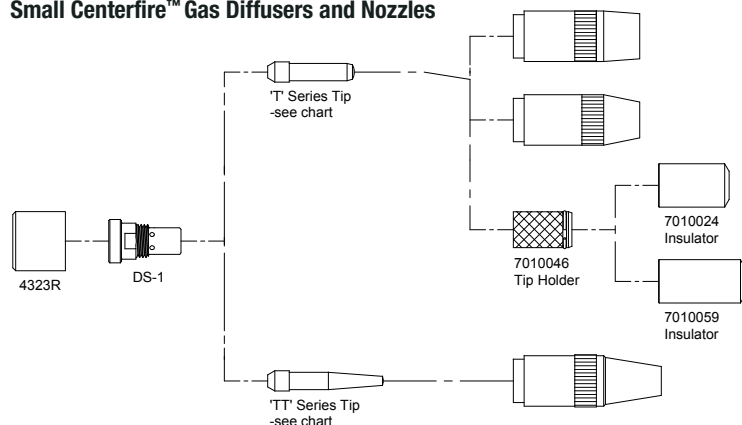
**Stanard Liner for 1/16 Guns

Aluminum/Soft Wire Liners

Wire Size	Gun Amperage	10' (3.05 m)	15' (4.57 m)
.035 (.9 mm)	150A 600A Nylon	N/A	43015X
	200A-600A Steel	N/A	1920343
3/64 (1.2 mm)	200A-600A Nylon	N/A	43115X
	200A-600A Steel	N/A	1920344
1/16 (1.6 mm)	200A-600A Nylon	N/A	44215X
	200A-600A Steel	N/A	1920345

Centerfire™ Consumable Series for 300, 400 & 500 Amp Best of the Best MIG Guns Service Parts/Consumables

Small Centerfire™ Gas Diffusers and Nozzles



NS-5800C (5/8" I.D., Flush, Copper)
 NS-5818C (5/8" I.D., 1/8" Rec., Copper)
 NS-5800B (5/8" I.D., Flush, Brass)
 NS-5818B (5/8" I.D., 1/8" Rec., Brass)

NS-1218C (1/2" I.D., 1/8" Rec., Copper)
 NS-1200B (1/2" I.D., Flush, Brass)
 NS-1218B (1/2" I.D., 1/8" Rec., Brass)

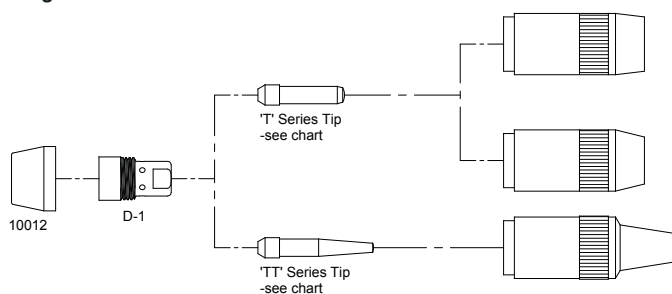
NS-FLX Self-Shielded Conversion Kit
 (Includes tip holder and both insulators)

NST-3800B (3/8" I.D., Flush, Brass)
 NST-3818B (3/8" I.D., 1/8" Rec., Brass)
 NST-38XTB (3/8" I.D., 1/8" Extension, Brass)

'T' Series Tip

T-023	.023" (.6 mm)
T-030	.030" (.8 mm)
T-035	.035" (.9 mm)
T-039	.039" (1.0 mm)
T-045	.045" (1.2 mm)
T-052	.052" (1.4 mm)
T-062	1/16" (1.6 mm)
T-072	.072" (1.8 mm)
T-078	5/64" (2.0 mm)
T-094	3/32" (2.4 mm)
T-109	7/64" (2.8 mm)
T-125	1/8" (3.2 mm)

Large Centerfire™ Gas Diffusers and Nozzles



N-3400C (3/4" I.D., Flush, Copper)
 N-3418C (3/4" I.D., 1/8" Rec., Copper)
 N-3414C (3/4" I.D., 1/4" Rec., Copper)
 N-3418B (3/4" I.D., 1/8" Rec., Brass)
 N-3414B (3/4" I.D., 1/4" Rec., Brass)

N-5800C (5/8" I.D., Flush, Copper)
 N-5818C (5/8" I.D., 1/8" Rec., Copper)
 N-5814C (5/8" I.D., 1/4" Rec., Copper)
 N-5818B (5/8" I.D., 1/8" Rec., Brass)
 N-5814B (5/8" I.D., 1/4" Rec., Brass)

NT-3800C (3/8" I.D., Flush, Copper)

'TT' Series Tip

TT-023	.023" (.6 mm)
TT-030	.030" (.8 mm)
TT-035	.035" (.9 mm)
TT-039	.039" (1.0 mm)
TT-045	.045" (1.2 mm)
TT-052	.052" (1.4 mm)
TT-062	1/16" (1.6 mm)

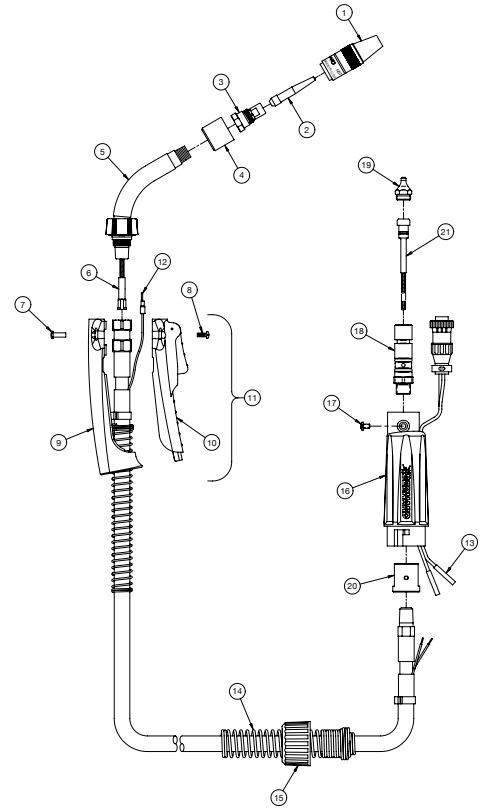


For other products not listed in catalog, please contact Bernard at 1-855-MIGWELD (644-9353) or visit Bernardwelds.com

Pipeworx

MIG Gun Part# 195399 - 250 Amp 15ft Gun
Service Parts/Consumables

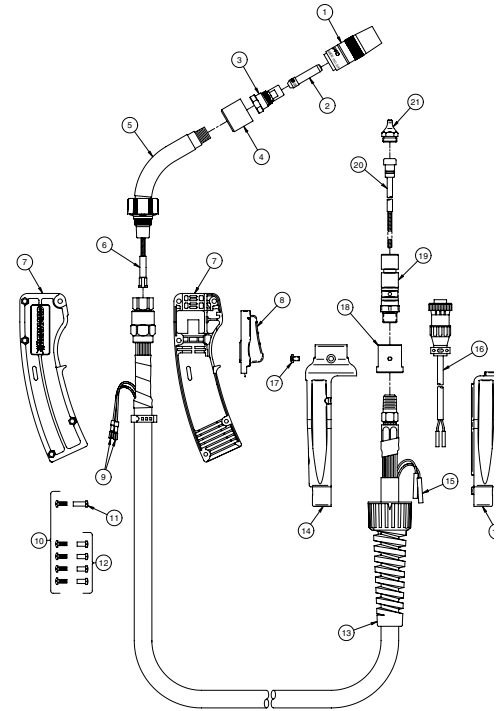
Item #	Part#	Description
1	NST-3800B	Centerfire Nozzle
2	TT-035	Centerfire Contact Tip
3	DS-1	Centerfire Gas Diffuser
4	4323R	Insulator Cap
5	1840057-2	Q-Nut Insulator, Front
6	QT2-60	Neck
7	1840057-1	Q-Neck Cover
8	1840031	Q-Neck Insulator, Rear
9	QJL-3545	Jump Liner
10	4207	Nut
11	4209	Screw
12	1780062	Handle Half, Upper
13	2620054	Lower Handle Half & Switch Assy.
14	1880194	Handle Kit (Includes items #10, #11, #12, #13)
15	2660001	Terminal
16	4932	Butt Connector
17	2520048	Spring
18	2520007	Strain Relief
19	2520047M	Strain Relief Set with plug
20	2280056	Screw
21	1620003	Screw Cover
22	2200101	Cover, Rear Screw (2 Req'd)
23	1010027	Trigger Control Plug
24	L3B-15	Liner
25	2200135	Power Pin Tip



Pipeworx

MIG Gun Part# 195400 - 300 Amp 15ft Gun
Service Parts/Consumables

Item #	Part#	Description
1	NS-5818C	Centerfire Nozzle
2	T-045	Centerfire Contact Tip
3	DS-1	Centerfire Gas Diffuser
4	4323R	Insulator Cap
5	1840057-2	Q-Nut Insulator, Front
6	QT2-60	Neck
7	1840057-1	Q-Neck Cover
8	1840031	Q-Neck Insulator, Rear
9	QJL-3545	Jump Liner
10	1880219	Handle Kit (Includes handle and items # 13, 14, 15, 16)
11	177488	Trigger
12	177271	Terminal
13	2280044	Screw
14	2030029	Nut
15	203296-005	Screw
16	177272	Nut
17	M169700-12	Handle Spring
18	2520033	Strain Relief
19	2520066	Strain Relief Set
20	4932	Butt Connector
21	GN2021	Electrical Connection
22	2280056	Screw
23	1620003	Screw Cover
24	1010027	Adaptor Block
25	2200101	Power Pin Assy.
26	L3B-15	Liner
27	2200135	Power Pin Tip



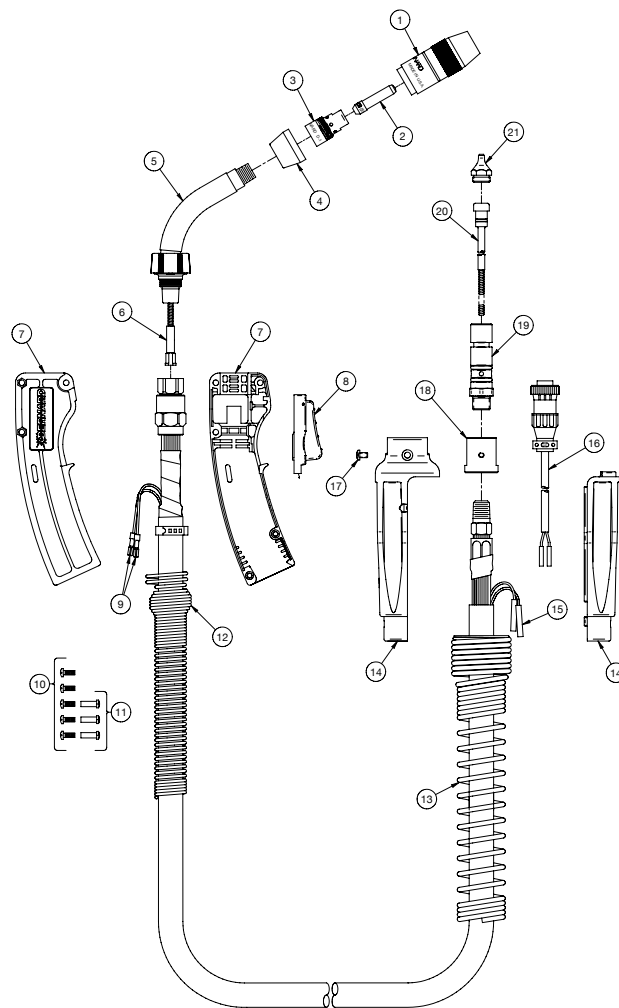
For other products not listed in catalog, please contact Bernard at 1-855-MIGWELD (644-9353) or visit Bernardwelds.com



Pipework

MIG Gun Part# 300240 - 400 Amp 15ft Gun
Service Parts/Consumables

Item #	Part#	Description
1	NS-5818C	Centerfire Nozzle
2	T-045	Centerfire Contact Tip
3	D-1	Centerfire Gas Diffuser
4	4423R	Insulator Cap
5	1840057-2	Q-Nut Insulator, Front
6	QT2-60	Neck
7	1840057-1	Q-Neck Cover
8	1840031	Q-Neck Insulator, Rear
9	QJL-3545	Jump Liner
10	1880198	Handle Kit (Includes handle and items # 13, 14, 15, 16)
11	5662	Trigger
12	2660001	Terminal
13	4209	Screw
14	4207	Nut
15	2520042	Handle Spring
16	2520041	Strain Relief
17	2520066	Strain Relief Set
18	4932	Butt Connector
19	GN2021	Electrical Connection
20	2280056	Screw
21	1620003	Screw Cover
22	1010027	Adaptor Block
23	2200101	Power Pin Assy.
24	L3B-15	Liner
25	2200135	Power Pin Tip



For other products not listed in catalog, please contact Bernard at 1-855-MIGWELD (644-9353) or visit Bernardwelds.com

PipePro® Dura-Flux™ XC Service Parts/Consumables

Item #	Part # 7010070, 7010071, 7010072	Description
1	7010062	Insulator Tip
2	T1116	Contact Tip, Quik Tip, 1/16" (1.6 mm) (Installed On Gun)
3	7010068	Neck, R2" (50.8 mm) X 70
4	QJL-116	Jump Liner, .045-1/16" (Installed on Gun)
	QJL-564	Jump Liner, 5/64" (Included with Gun)
5	1760010	Trigger Guard
6	1760011	Heat Shield (Optional)
7	2280047	Screw, #8-32 x 1-1/2 (2 req'd)
8	2030030	Nut, #8-32 (2 req'd)
9	4209	Handle Screw (4 Req'd)
10	4207	Post Fastener (4 Req'd)
11	5662	Switch Assy, Trigger
12	1880255	Handle Kit, Standard (Includes Handle Halves)
13	1880256	Handle Kit, Dual Schedule (Includes Handle Halves)
14	2660001	Terminal, Quick Disconnect (2 Req'd)
15	2520056	Spring, Strain Relief
16	4932	Butt Connector, (2 Req'd)
17	1010027	Adapter Block
18	GN2021	Electrical Plug - Non Dual Schedule
	20006A	Electrical Plug - Dual Schedule
19	2520066	Rigid Strain Relief
20	2280056	Screw, Strain Relief
21	1620003	Screw Cover, Strain Relief
22	1880251	Miller Power Pin Kit
23	2200131	Power Pin, Miller
24	396	Set Screw, Liner
25	444715	Liner, .045-1/16", 15' (4.57 m) (Installed on Gun)
	444815	Liner, 5/16", 15' (4.57 m) (Installed on Gun)

For additional parts call Bernard at 1-855-MIGWELD (644-9353).

Liner Replacement Instructions and Services

Removing Existing Liner

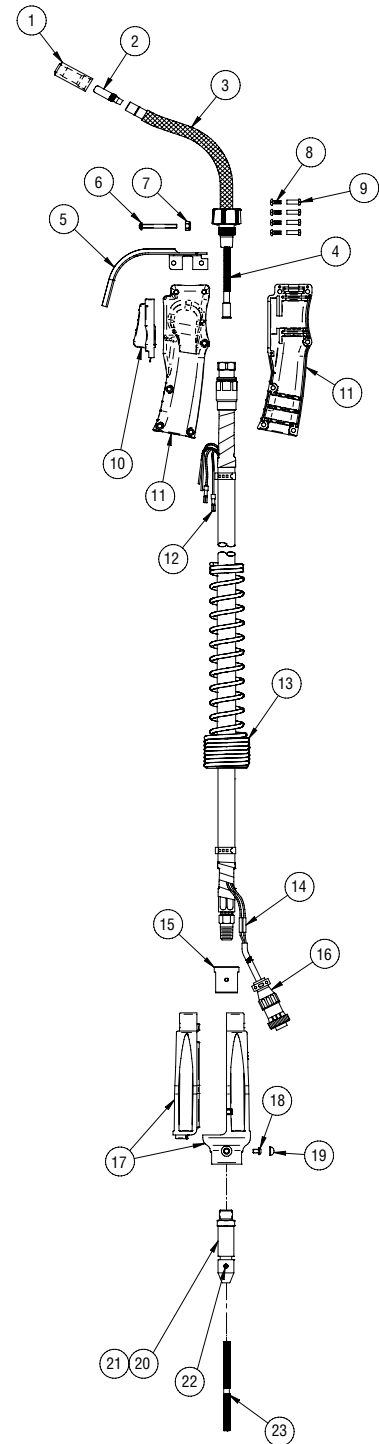
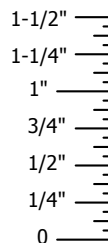
Turn off power. Remove neck from gun assembly. Lay cable straight. Loosen liner retention set screw on the power pin. Grasp liner which protrudes from power pin and remove from cable assembly.

Install Replacement Liner

Insert liner into power pin with cable laying straight. Position the liner so that it extends approximately 1" (25.4 mm) beyond the gun handle. Tighten liner retention set screw to secure liner to cable assembly. Make sure cable is straight before trimming liner. Trim and deburr the front of the liner with 1/4" (6.4 mm) extending beyond the gun handle and reinstall neck. Trim and deburr the back end of the liner with 1/8" (3.2 mm) extending beyond the power pin.

Service

Inspect for excessive wear and debris on the inside diameter. Do not dip liner in solvents for cleaning. Liner may be periodically blown out with shop air. Replace with new liner when excessive wear or debris produces poor electrode feed.

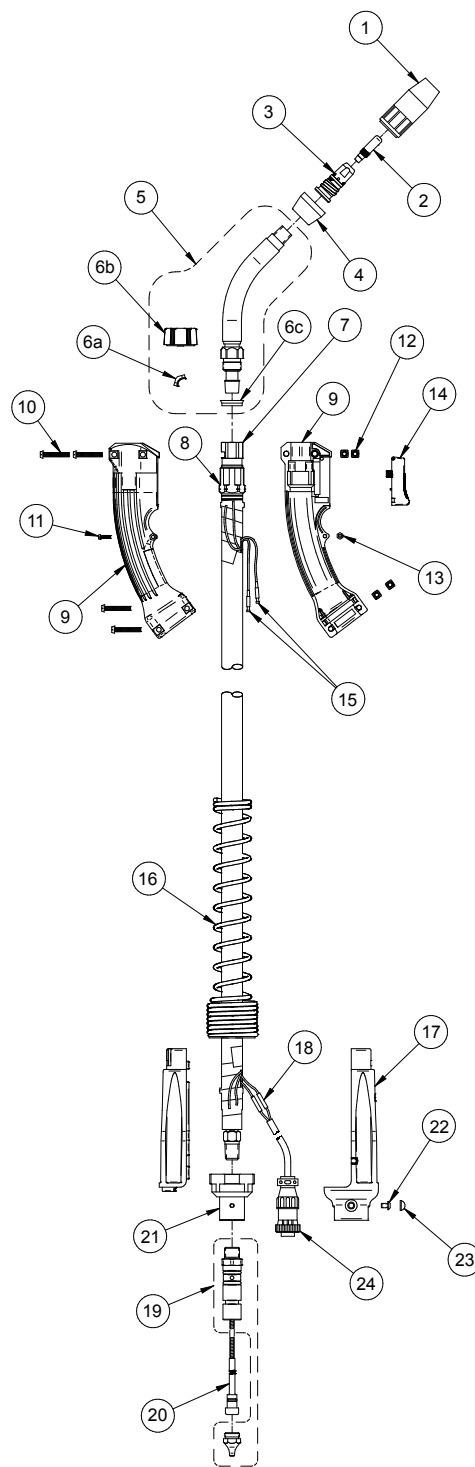


For other products not listed in catalog, please contact Bernard at 1-855-MIGWELD (644-9353) or visit Bernardwelds.com



Bernard™ S-Gun™ 250 Amp MIG Gun Service Parts/Consumables

Item #	Part #	Description
	S2515TE5EM	
1	N1C58Q	Nozzle Assy
2	T1045	Contact Tip, Quik Tip, .045" (1.2 mm)
	T1052	Contact Tip, Quik Tip, .052" (1.4 mm)
3	D118Q	Gas Diffuser
4	10012	Cap
5	QT3-45L	Neck, Rotatable/Locking, Medium
6A	1680074-2	End Fitting Lock (Included with Neck)
6B	1840057	Hand Nut (Included with Neck)
6C	1840031	Insulator (Included with Neck)
7	1680074-1	Stay-Tite™ End Fitting
8	1540007	Stay-Tite™ Cone Nut
NS	407709-013	Jacket Clamp (2 Req'd)
9	1880219	Handle Kit - Std. Trigger
10	203296-005	Handle Screw, Large (4 Req'd)
11	2280044	Handle Screw, Small
12	177272	Handle Nut, (4 Req'd)
13	2030029	Handle Nut, Small
14	177488	Trigger, Standard
15	177271	Trigger Pin (2 Req'd)
16	2520056	Spring Strain Relief
17	2520066	Strain Relief
18	4932	Butt Connector
19	1199M	Miller Power Pin Assembly
20	L4A-15	Liner
21	1010036	Adapter Block
22	2280056	Screw, Strain Relief
23	1620003	Screw Cover, Strain Relief
24	GN2021	Electrical Plug - Non D/S

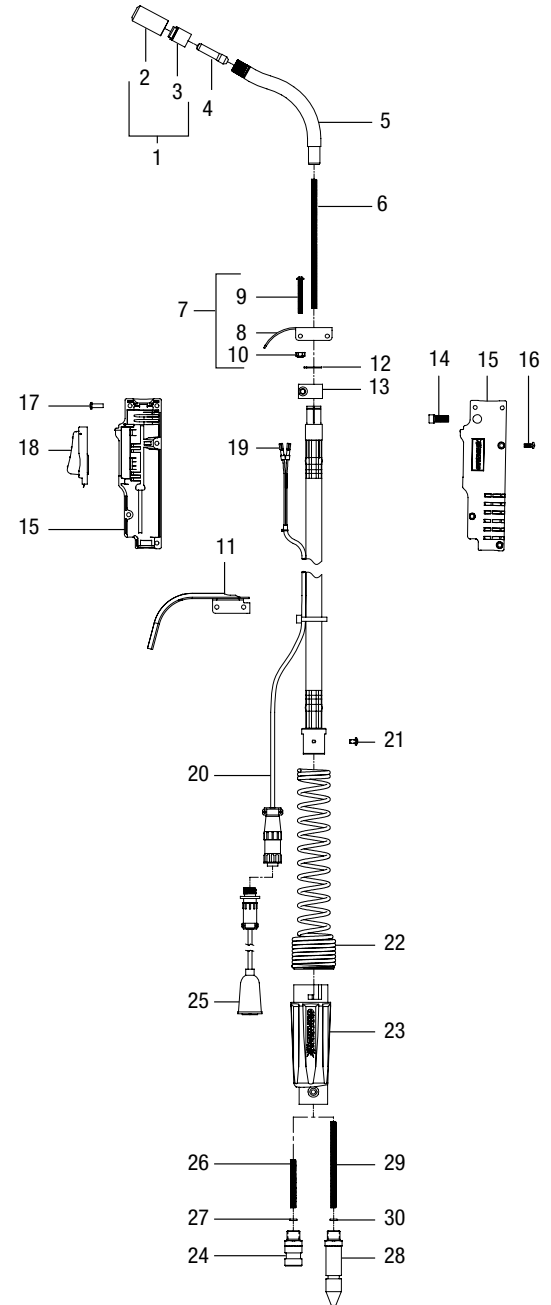


For other products not listed in catalog, please contact Bernard at 1-855-MIGWELD (644-9353) or visit Bernardwelds.com

Bernard™ Dura-Flux™ with Fixed Power Cable Liner Service Parts/Consumables

Item #	Part # FLX3515AM	Description
1	7010024	Insulator Tip
2	7010059	Heavy-Duty Insulator Tip
3	7010026	Tip Holder, Slip-On
4	1880229	Tip Holder Kit (Includes: (1) #1, (1) #2, (1) #3)
5	T-062	Centerfire Contact Tip, 1/16" (1.6 mm) (Included w/Gun)
	T-072	Centerfire Contact Tip, .072" (1.8 mm) (Included w/Gun)
	T-078	Centerfire Contact Tip, 5/64" (2.0 mm) (Included w/Gun)
	T-094	Centerfire Contact Tip, 3/32" (2.4 mm) (Included w/Gun)
6	7010031	Neck Liner, 6" (15.2 cm)
	7010032	Neck, Liner, 12" (30.5 cm)
7		Neck Replacement Kit (Includes: (1) #6, (1) #7)
	1880232	Sleeved, 6" (15.2 cm) x 30
	1880222	Sleeved, 6" (15.2 cm) x 60
	1880230	Sleeved, 8" (20.3 cm) x 90
	1880223	Sleeved, 12" (30.5 cm) x 30
	1880231	Sleeved, 12" (30.5 cm) x 60
	1880236	Aluminum Armored, 6" (15.2 cm) x 30
	1880233	Aluminum Armored, 6" (15.2 cm) x 60
	1880235	Aluminum Armored, 8" (20.3 cm) x 90
	1880234	Aluminum Armored, 12" (30.5 cm) x 30
	1880237	Aluminum Armored, 12" (30.5 cm) x 60
8	7010034	Trigger Guard
9	2280047	Screw, #8-32 x 1-1/2 (2 Req'd)
10	2030030	Nut, #8-32 (2 Req'd)
11	1880224	Trigger Guard Kit (Includes: (1) #8, (2) #9, (2) #10)
12	1760002	Heat Shield (Optional)
13	2250017	Snap Ring
14	198820	Clamp
15	2280046	Screw, 1/4-20, Hex Socket
16	4209	Handle Screw (3 Req'd)
17	2030004	Post Fastener (3 Req'd)
18	1880225	Handle Kit (Includes: Handle Halves, (2) #9, (2) #10, (3) #16, (3) #17)
19	5662	Switch Assy, Trigger
20	2660001	Terminal, Quick Disconnect (2 Req'd)
21	7010015	Cord Assembly, 15' (4.57 m)
22	610	Rigid Strain Relief
23	416-15	Housing, Rigid Strain Relief
24	7010035	Liner, Power Pin, Miller
25	4421	O-Ring
26	1880226	Miller Power Pin Kit (Includes: Miller Power Pin, (1) #24, (1) #25)

For additional parts call Bernard at 1-855-MIGWELD (644-9353).



For other products not listed in catalog, please contact Bernard at 1-855-MIGWELD (644-9353) or visit Bernardwelds.com



Ironmate™ FC-1150
450-Amp, Self-Shielded
Flux Cored Welding Gun



Ironmate™ FC-1260
350-Amp, Self-Shielded
Flux Cored Welding Gun

Ironmate™ Flux Cored Guns

Model	Part #	Length	Weight	Rating and Duty Cycle	Wire Size
FC-1260	195 732	10 ft (3 m)	8.5 lb (3 kg)	350 A at	1/16–3/32 in
	195 729	15 ft (4.6 m)	11 lb (5 kg)	60% Duty Cycle	(1.6–2.4 mm) ¹
FC-1260 90°	237 410	10 ft (3 m)	8.5 lb (3 kg)	350 A at	1/16–3/32 in
	213 439	15 ft (4.6 m)	11 lb (5 kg)	60% Duty Cycle	(1.6–2.4 mm) ¹
FC-1260LM	194 912	10 ft (3 m)	8.5 lb (3 kg)	350 A at	1/16–3/32 in
	194 911	15 ft (4.6 m)	11 lb (5 kg)	60% Duty Cycle	(1.6–2.4 mm) ¹
FC-1150	194 864	10 ft (3 m)	9.5 lb (4.3 kg)	450 A at	3/32–1/8 in
	194 863	15 ft (4.6 m)	12 lb (5.4 kg)	60% Duty Cycle	(2.4–3.2 mm)

¹.035 and .045 in (0.9 and 1.2 mm) are available via optional Conversion Kit #199 178.

Consumables

Contact Tips (25 per package)	FC-1260	FC-1150
.035 in (0.9 mm)	#209 248 ²	—
.045 in (1.2 mm)	#198 784 ²	—
1/16 in (1.6 mm)	#198 785	—
.068–.072 in (1.7–1.8 mm)	#198 786	—
5/64 in (2.0 mm)	#198 788	—
3/32 in (2.4 mm)	#198 790	#201 256
7/64 in (2.8 mm)	—	#201 257
.120 in (3.0 mm)	—	#201 258
1/8 in (3.2 mm)	—	#201 259
Insulated Thread Protector (5 per package)	#198 800 ³	—
Nozzles		
Insulated Flush	#198 801	#201 261
Insulated 2 in (51 mm) Stickout	#198 802	—
Insulated 2-3/4 in (70 mm) Stickout	#198 803	#201 262 ³
Replacement Liners		
1/16–3/32 in (1.6–2.4 mm) for Cable	#195 731	—
1/16–3/32 in (1.6–2.4 mm) for Gooseneck (Short)	#198 791	—
1/16–3/32 in (1.6–2.4 mm) for Gooseneck (Medium)	#198 792	—
1/16–3/32 in (1.6–2.4 mm) for Gooseneck (Long)	#198 793	—
.045 in (1.2 mm) Conversion for Cable and Gooseneck	#199 178	—
3/32–1/8 in (2.4–3.2 mm) for Cable	—	#201 246
3/32–1/8 in (2.4–3.2 mm) for Gooseneck	—	#201 260

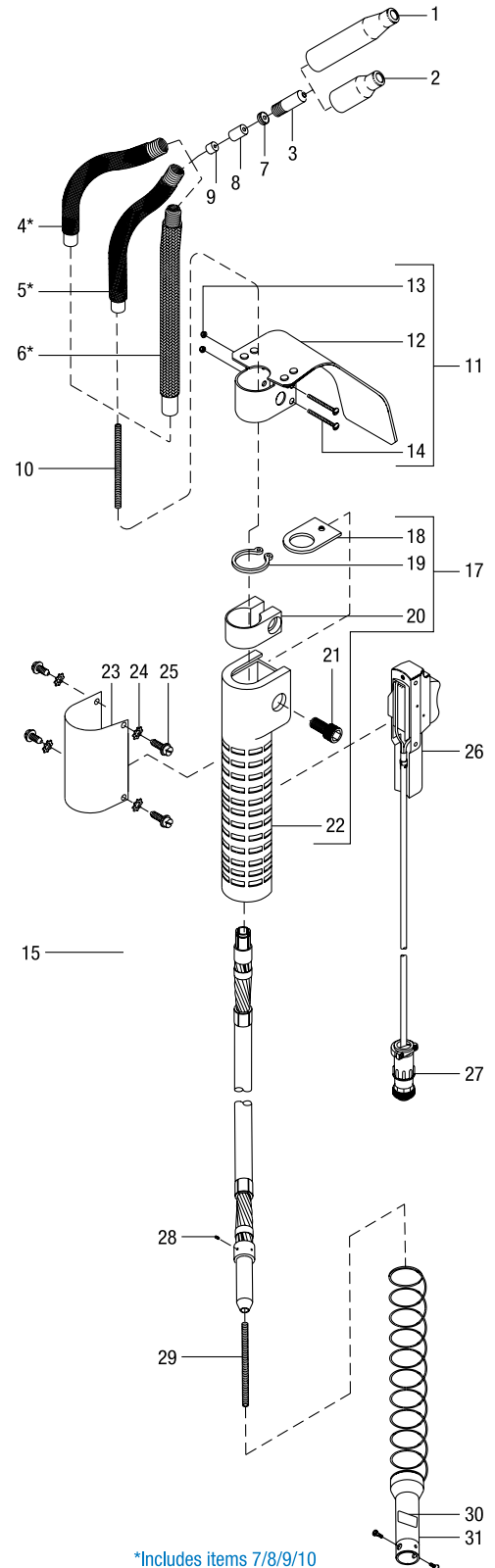
²Use .045 in Conversion Kit #199 178.

³Standard

Ironmate™ FC-1150 Service Parts/Consumables

Item #	Part #	Description	Quantity
1	201 262	Nozzle, insulated 2-3/4 in stickout	1
2	201 261	Nozzle, insulated 2 in stickout	1
3	201 256	Tip, contact 3/32 in	1 (25 per pkg)
	201 257	Tip, contact 7/64 in	1 (25 per pkg)
	201 258	Tip, contact .120 in	1 (25 per pkg)
	201 259	Tip, contact 1/8 in	1 (25 per pkg)
4	201 250 ¹	Gooseneck, 82° bend (includes)	1
4	201 251 ¹	Gooseneck, 82° bend, aluminum jacketed (includes)	1
5	201 247	Gooseneck, 25° bend (includes)	1
5	201 248 ¹	Gooseneck, 45° bend, (includes)	1
5	201 249 ¹	Gooseneck, 45° bend, aluminum jacketed (includes)	1
6	201 252 ¹	Gooseneck, straight 5° bend, (includes)	1
7	201 253 (N/A)	Liner, locking screw 3/8 in - 16	1
8	201 254	Insert, steel	1
9	201 255	Insert, ceramic	1
10	201 260	Liner, gooseneck replacement (short, for 6 in goose)	1
11	201 245	Shield Kit, heat (consists of)	1
12	—	Shield, heat (not available separately)	1
13	198 681	Nut, 008-32 .34 hex .23h stl pld elastic stop nut	2
14	135 646	Screw, 008-32 x 1.50 rnd hd-phl stl pld	2
15	224 083	Housing Kit with Hardware — less switch	1
16	224 083	Housing assembly, trigger	1
17	194 714 (N/A)	Handle Kit, assembly (consists of)	1
18	198 821	Shield, spatter	1
19	081 664	Ring, rtng ext .625 shaft grv x .042 thk e style	1
20	198 820	Clamp	1
21	133 774	Screw, cap stl sch .250-20 x .625 pld	1
22	198 819	Handle	1
	000 369	Switch, limit 10 amp, 125/250 VAC	1
23	198 743 (N/A)	Clamp, switch housing	1
24	602 202	Washer, tooth .168 id x .340 od x .023 t stl pld	4
25	070 001	Screw, 008-32 x .25 hexwhd-pln stl pld	4
26	194 713	Switch Kit, assembly 15 ft (consists of)	1
26	195 735	Switch Kit, assembly 10 ft (consists of)	1
27	079 878	Housing Plug and Pins (service kit)	1
28	198 894 (N/A)	Screw, set #8-32 x .312 — liner locking	1
29	201 246	Kit, replacement standard liner 15 ft (includes)	1
30	201 276 (N/A)	Label, FC-1150 gun, 10 ft	1
30	201 277 (N/A)	Label, FC-1150 gun, 15 ft	1
31	195 733	Kit, insulator sleeve with spring and screws	1

¹Optional



Ironmate FC-1150 Gun



Ironmate™ FC-1260 and FC-1260LM Service Parts/Consumables

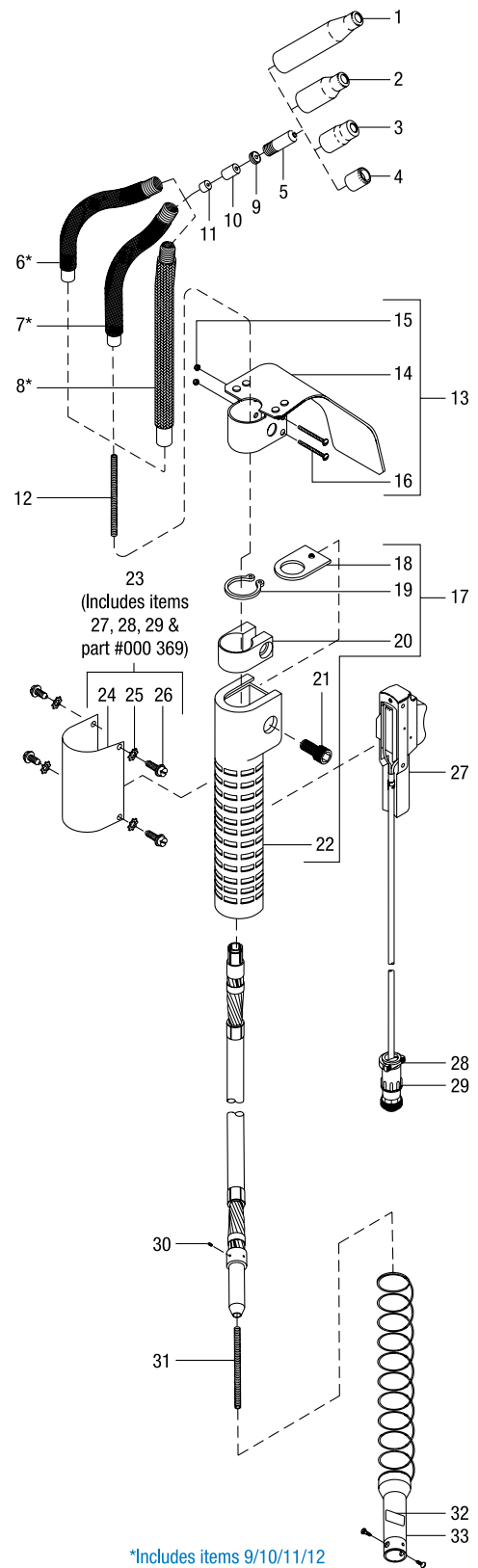
Item #	Part #	Description	Quantity
1	198 803	Nozzle, insulated 2-3/4 in stickout	1
2	198 802	Nozzle, insulated 2 in stickout	1
3	198 801	Nozzle, insulated	1
4	198 800 ¹	Protector, thread	1 (5 per pkg)
5	209 248 ²	Tip, contact .035 (0.9 mm)	1 (25 per pkg)
	198 784 ²	Tip, contact .045 (1.2 mm)	1 (25 per pkg)
	198 785	Tip, contact 1/16 (1.6 mm)	1 (25 per pkg)
	198 786	Tip, contact .068 - .072 (1.7 - 1.8 mm)	1 (25 per pkg)
	198 788	Tip, contact 5/64 (2.0 mm)	1 (25 per pkg)
	198 790	Tip, contact 3/32 (2.4 mm)	1 (25 per pkg)
6	198 794 ¹	Gooseneck, 6 in, 50° bend (includes)	1
	199 332	Gooseneck, 6 in, 50° bend, aluminum jacketed (includes)	1
	198 795	Gooseneck, 12 in, 50° bend (includes)	1
	199 333	Gooseneck, 12 in, 50° bend, aluminum jacketed (includes)	1
	198 798	Gooseneck, 6 in, 90° bend (includes)	1
	199 334	Gooseneck, 6 in, 90° bend, aluminum jacketed (includes)	1
7	198 796	Gooseneck, 6 in, 30° bend (includes)	1
	199 335	Gooseneck, 6 in, 30° bend, aluminum jacketed (includes)	1
	198 797	Gooseneck, 12 in, 30° bend (includes)	1
8	199 336	Gooseneck, 12 in, 30° bend, aluminum jacketed (includes)	1
	198 799	Gooseneck, 8 in straight with 5° bend (includes)	1
	198 752 ³	Liner, locking screw 5/16 in - 18	1
10	198 758 ³	Insert, steel	1
11	198 806 ³	Insert, ceramic	1
12	198 791	Liner, gooseneck replacement (short, for 6 in goose)	1
	198 792	Liner, gooseneck replacement (med, for 8 in goose)	1
	198 793	Liner, gooseneck replacement (long, for 12 in goose)	1
13	194 712	Shield Kit, heat (consists of)	1
14	—	Shield, heat (not available separately)	1
15	198 681	Nut, 008-32 .34 hex .23h stl pld elastic stop nut	2
16	135 646	Screw, 008-32 x 1.50 rnd hd-phl stl pld	2
17	194 714 (N/A)	Handle Kit, assembly (consists of)	1
18	198 821	Shield, spatter	1
19	081 664	Ring, rtng ext .625 shaft grv x .042 thk e style	1
20	198 820	Clamp	1
21	133 774	Screw, cap stl sch .250-20 x .625 pld	1
22	198 819	Handle	1
23	194 713	Switch Kit, assembly 15 ft (consists of)	1
	195 735	Switch Kit, assembly 10 ft (consists of)	1
24	198 743 (N/A)	Clamp, switch housing	1
25	602 202	Washer, tooth .168 id x .340 od x .023 t stl pld	4
26	070 001	Screw, 008-32 x .25 hexwhd-pln stl pld	4
27	224 083	Aluminum Housing Kit with Hardware — less switch	1
28	079 531	Conn, circ cpc clamp str rlf size 11 .453 od	1
29	079 878	Housing Plug and Pins (service kit)	1
	000 369	Switch, limit 10 amp, 125/250 VAC	1
30	198 894 (N/A)	Screw, set #8-32 x .312 — liner locking	1
31	195 731	Kit, replacement standard liner 15 ft (includes)	1
31	199 178	Kit, .045 conversion monocoil liner 15 ft (includes)	1
	166 575	Wrench, hex .078 across flat	1
32	198 759 (N/A)	Label, FC-1260 gun, 10 ft	1
	198 767 (N/A)	Label, FC-1260 gun, 15 ft	1
33	195 733	Kit, insulator sleeve with spring	1
	202 295	Insulator, phenolic (FC-1260LM only)	1
	202 294	Adapter, Miller feeder (FC-1260LM only)	1
	202 692	Adapter, Miller to Lincoln trigger leads (FC-1260LM only)	1

¹Standard

²Use .045 in Conversion Kit

³Items recessed in Gooseneck

Note: Each Gooseneck includes locking screw liner, inserts, and appropriate gooseneck liner.



*Includes items 9/10/11/12

Hobart MIG Gun History

Machine	Spec # / Stock #	Original Gun	Recommended Replacement Gun
Handler®	6969-1 All Other 6969 Series	GAL-90 GAL-100	Bernard TGX Series #S1815 and #214 (Tweco #4 Power Pin) ¹ Bernard TGX Series #S1815 and #214 (Tweco #4 Power Pin) ¹
Handler® 120	7144-1 and 71441A-1 All Other	GAL-100 Piecemaker® 14-A	Bernard TGX Series #XS1815 and #214-4 (L-Tec Power pin) ¹ Bernard TGX Series #XS1815 and #214-4 (L-Tec Power pin) ¹
Handler® 125	All	H-9A, pg 30; H-9, pg 30	H-9 #195 157R, pg 30
Handler® 125EZ	All	H-9A, pg 30	H-9 #195 157R, pg 30
Handler® 130XL	All	GA-16CA	M-100 #248 282, pg 12 (Purchase # 193681, Power Pin)
Handler® 135/140	All	H-10, pg 37	H100S2-10 #245 924, pg 32
Handler® 150	All	Piecemaker® 14-A	Bernard TGX Series #XS1815 and #214-4 (L-Tec Power pin) ¹
Handler® 175/180	All	H-10, pg 37	H100S2-10 #245 924, pg 32
Handler® 187	All	H-10, pg 37	H100S2-10 #245 924, pg 32
Handler® 190	All	H100S4-10, pg 32	H100S4-10 #245 926, pg 32
Handler® 210	All	H-14, pg 37	H100S4-10 #245 926, pg 32
Handler® 210MVP	All	H100S4-10, pg 32	H100S4-10 #245 926, pg 32
IronMan™ 210	All	M-10, pg 11	M-100/M-150, pg 12
IronMan™ 230	All	H200L4-15, pg 32	H200L4-15 #239 173, pg 33
IronMan™ 250/270	All	M-25, pg 13	M-25, pg 13
Trek 180	All	H100L4-10, pg 33	H100L4-10 #243 864, pg 33

¹Part is only available through Bernard 1-855-MIGWELD (644-9353).

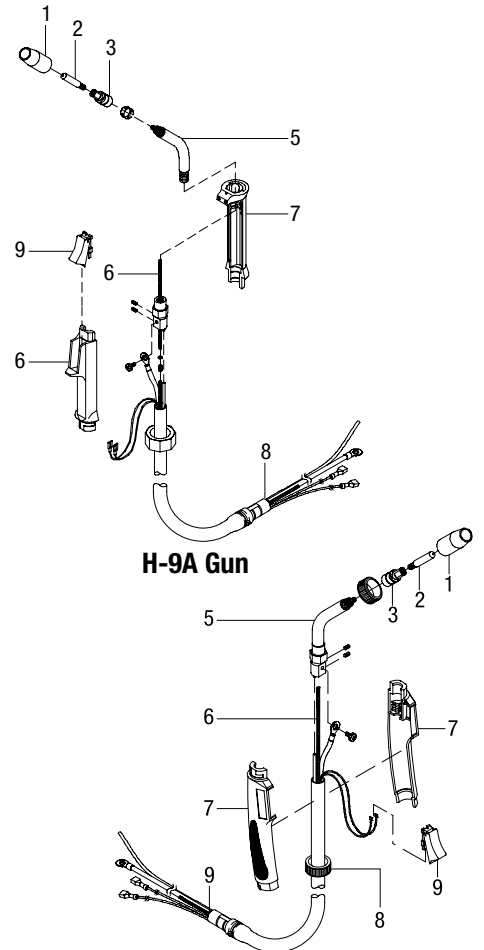
H-9A/9B

Service Parts/Consumables

Item #	Part # H-9A*	Part # H-9B	Description	Quantity
	195 157R	—	H-9A Gun 8 ft (2.4 m), 100 A, .030-.035 (0.8-0.9 mm)	
	—	195 157R	H-9B Gun 8 ft (2.4 m), 100 A, .030-.035 (0.8-0.9 mm)	
1	169 715 226 190	169 715 226 190	Nozzle, slip type .500 (12.7 mm) orf flush Nozzle, slip type flux cored	1 (2 per pkg) 1 (1 per pkg)
2	087 299 ¹ 000 067 000 068	087 299 ¹ 000 067 000 068 ¹	Tip, contact scr .023 (0.6 mm) wire x 1.125 Tip, contact scr .030 (0.8 mm) wire x 1.125 Tip, contact scr .035 (0.9 mm) wire x 1.125	1 (10 per pkg) 1 (10 per pkg) 1 (10 per pkg)
3	169 716	169 716	Adapter, contact tip	1 (2 per pkg)
4	170 470	—	Ring, retaining	1
5	210 969 (N/A)	226 079	Tube, head	1
6	210 970	210 970	Kit, liner, monocoil .023-.035 (0.6-0.9 mm) wire x 8 ft	1
7	211 450 (N/A)	226 080	Handle Assembly	1
8	—	226 010	Nut, liner retainer	2
9	—	225 410	Switch, trigger	1

¹Optional

*H9B replaces H9A



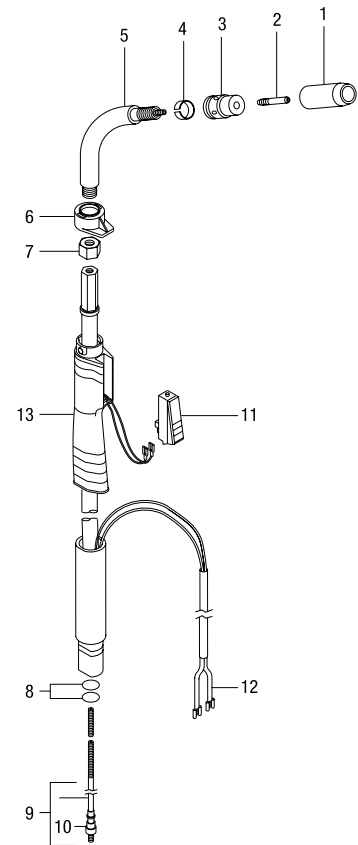


H-10

Service Parts/Consumables

Item #	Part #	Description	Quantity
	195 957	H-10 Gun 10 ft (3 m), 100 A, .030-.035 (0.8-0.9 mm)	
1	169 715	Nozzle, slip type .500 (12.7 mm) orf flush	1 (2 per pkg)
	226 190	Nozzle, slip type flux cored	1 (1 per pkg)
2	087 299¹	Tip, contact scr .023 (0.6 mm) wire x 1.125	1 (10 per pkg)
	000 067	Tip, contact scr .030 (0.8 mm) wire x 1.125	1 (10 per pkg)
	000 068	Tip, contact scr .035 (0.9 mm) wire x 1.125	1 (10 per pkg)
	000 069¹	Tip, contact scr .045 (1.2 mm) wire x 1.125	1 (10 per pkg)
3	169 716	Adapter, contact tip	1 (2 per pkg)
4	170 470	Ring, retaining	1
5	169 718	Tube, head	1
6	169 738	Nut, locking handle	1
7	194 524	Nut, jam	1
8	197 123	O-Ring, .312 ID x .062 70 Duro BUNA-N	2
9	194 010¹	Kit, liner, monocoil .023 - .025 (0.6 mm) wire x 15 ft (includes)	1
	194 011	Kit, liner, monocoil .030 - .035 (0.8 - 0.9 mm) wire x 15 ft (includes)	1
	194 012¹	Kit, liner, monocoil .035 - .045 (0.9 - 1.2 mm) wire x 15 ft (includes)	1
10	079 975	O-Ring, .187 ID x .103CS rbr	1
11	227 798	Switch, trigger	1
12	604 464	Terminals, friction	2
13	169 737	Handle	1
	209 494	Power Pin	1

¹Optional

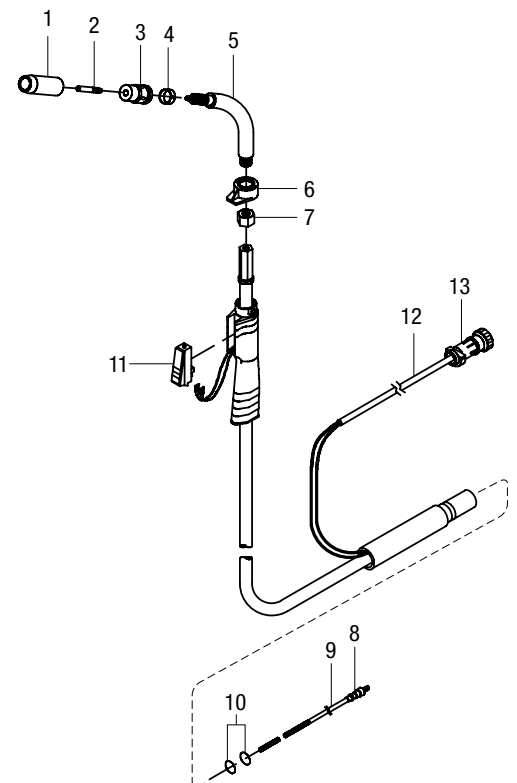


H-14

Service Parts/Consumables

Item #	Part #	Description	Quantity
	231 204	H-14 Gun 10 ft (3 m), 100 A, .030-.035 (0.8-0.9 mm)	
1	169 715	Nozzle, slip type .500 (12.7 mm) orf flush	1 (2 per pkg)
	226 190	Nozzle, slip type flux cored	1 (1 per pkg)
2	087 299¹	Tip, contact scr .023 (0.6 mm) wire x 1.125	1 (10 per pkg)
	000 067	Tip, contact scr .030 (0.8 mm) wire x 1.125	1 (10 per pkg)
	000 068¹	Tip, contact scr .035 (0.9 mm) wire x 1.125	1 (10 per pkg)
3	169 716	Adapter, contact tip	1 (2 per pkg)
4	170 470	Ring, retaining	1
5	169 718	Tube, head	1
6	169 738	Nut, locking handle	1
7	169 719	Nut, jam	1
8	079 975	O-ring, .187 ID x .103CS rbr	1
9	194 010¹	Kit, liner, monocoil .023 - .025 (0.6 mm) wire x 15 ft	1
	194 011	Kit, liner, monocoil .030 - .035 (0.8 - 0.9 mm) wire x 15 ft (includes)	1
	194 012¹	Kit, liner, monocoil .035 - .045 (0.8 - 0.9 mm) wire x 15 ft	1
	194 014¹	Kit, liner, monocoil .023 - .035 (0.6 - 0.9 mm) wire x 15 ft (includes)	1
10	079 975	O-ring, .312 ID x .062 70 Dura BUNA-N	1
11	227 798	Switch, trigger	1
12	227 800	Cord, trigger assembly	1
13	079 878	Housing Plug & Pins	1
	209 494	Power Pin	1

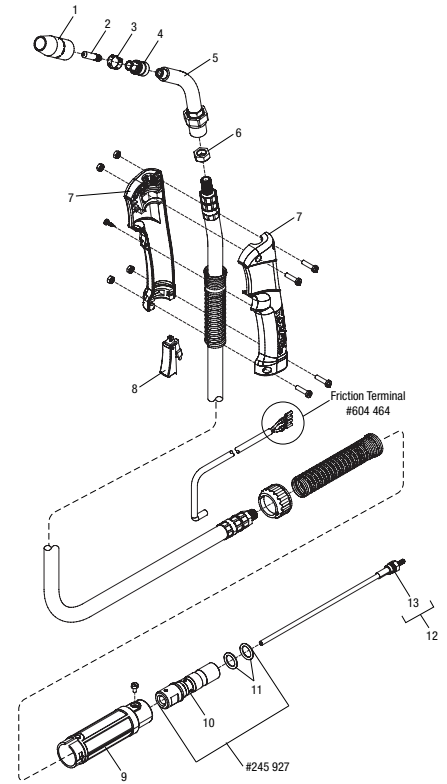
¹Optional



H100S2-10 Service Parts/Consumables

Item #	Part #	Description	Quantity
	245 924	H100S2-10 Gun .30-.035 10 ft	
1	169 715	Nozzle, slip type .500 orf flush	1
	226 190	Nozzle, flux cored slip type	1
2	087 299¹	Tip, contact scr .023 (0.6 mm) wire x 1.125	1
	000 067¹	Tip, contact scr .030 (0.8 mm) wire x 1.125	1
	000 068¹	Tip, contact scr .035 (0.9 mm) wire x 1.125	1
	000 069¹	Tip, contact scr .045 (1.2 mm) wire x 1.125	1
3	170 470	Ring, retaining	1
4	169 716	Adapter, contact tip	1
5	246 373	Tube, head	1
6	234 865	Nut, jam	1
7	242 832	Handle	1
8	225 410	Switch, trigger	1
9	246 380	Housing, power pin	1
10	245 927	Connector, feeder	1
11	197 123	O-Ring, .312 ID x .062 70 duro buna-n	2
12	194 010¹	Liner, monocoil .023 – .025 wire x 15 ft (consisting of)	1
	194 011¹	Liner, monocoil .030 – .035 wire x 15 ft (consisting of)	1
	194 012¹	Liner, monocoil .035 – .045 wire x 15 ft (consisting of)	1
13	079 975	O-Ring, .500 ID x .103CS rbr	1

¹Optional

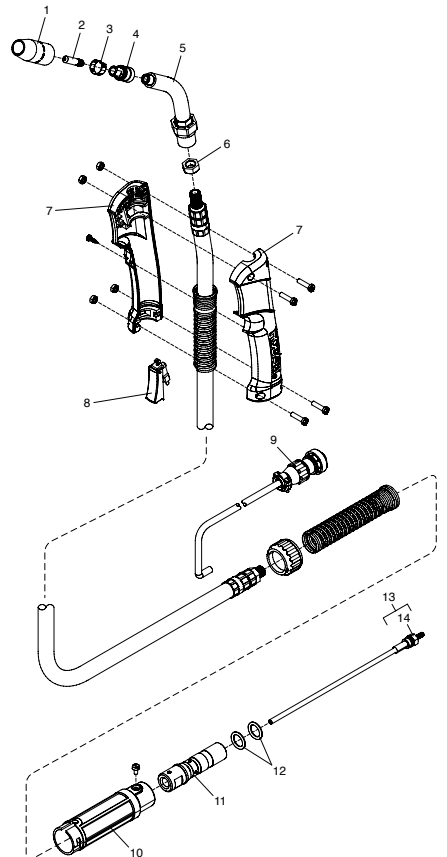


H100S4-10 Service Parts/Consumables

Item #	Part #	Description	Quantity
	245 926	H100S4-10	
1	169 715	Nozzle, slip type .500 (12.7 mm) orf flush	1 (2 per pkg)
	226 190	Nozzle, slip type flux cored	1 (1 per pkg)
2	087 299¹	Tip, contact scr .023 (0.6 mm) wire x 1.125	1 (10 per pkg)
	000 067	Tip, contact scr .030 (0.8 mm) wire x 1.125	1 (10 per pkg)
	000 068¹	Tip, contact scr .035 (0.9 mm) wire x 1.125	1 (10 per pkg)
	000 069¹	Tip, contact scr .045 (1.2 mm) wire x 1.125	1 (10 per pkg)
3	170 470	Ring, retaining	1
4	169 716	Adapter, contact tip	1 (2 per pkg)
5	246 373	Tube, head	1
6	243 865	Nut, jam	1
7	242 832	Handle	1
8	225 410	Switch, trigger	1
9	079 878	Housing plug and pins	1
10	246 380	Housing, power pin	1
11	245 927	Connector, feeder	1
12	197 123	O-ring, .312 ID x .062 duro buna-n	2
13	194 010¹	Kit, liner, monocoil .023 – .025 (0.6 mm) wire x 15 ft	1
	194 011	Kit, liner, monocoil .030 – .035 (0.8 – 0.9 mm) wire x 15 ft	1
	194 012¹	Kit, liner, monocoil .035 – .045 (0.6 – 0.9 mm) wire x 15 ft	1
14	079 975	O-ring, .187 ID x .103CS rbr	1

¹Optional

*H9B replaces H9A

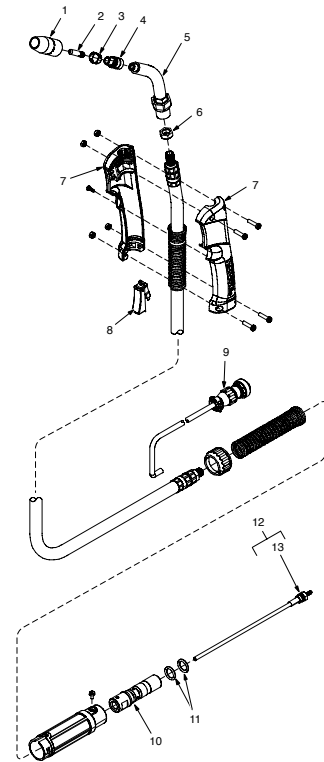




H100L4-10 Service Parts/Consumables

Item #	Part #	Description	Quantity
	243 864	H100L4-10 Gun 10 ft (3 m), 100 A, .030-.035 (0.8-0.9 mm)	1
1	169 715	Nozzle, slip type, .500 orf flush	1
	226 190¹	Nozzle, flux cored slip type	1
2	087 299¹	Tip, contact scr .023 wire x 1.125	1
	000 067¹	Tip, contact scr .030 wire x 1.125	1
	000 068¹	Tip, contact scr .035 wire x 1.125	1
	000 069¹	Tip, contact scr .045 wire x 1.125	1
3	170 470	Ring, retaining	1
4	169 716	Adapter, contact tip	1
5	242 831	Tube, head	1
6	243 865	Nut, jam	1
7	242 832	Handle	1
8	225 410	Switch, trigger	1
9	079 878	Housing plug & pins	1
10	242 833	Connector, feeder	1
11	079 974	O-ring, .500 ID x .103CS rbr	2
12	194 010¹	Liner, monocoil .023/.025 wire x 15 ft (consisting of)	1
	194 011¹	Liner, monocoil .030/.035 wire x 15 ft (consisting of)	1
	194 012¹	Liner, monocoil .035/.045 wire x 15 ft (consisting of)	1
13	079 975	O-ring, .187 ID x .103CS rbr	1

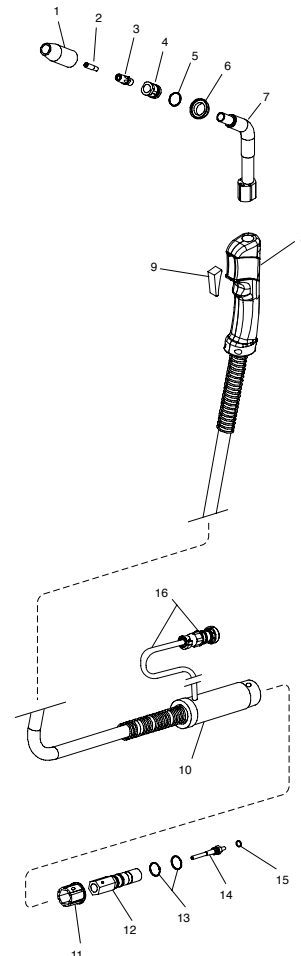
¹Optional



H200L4-15 Service Parts/Consumables

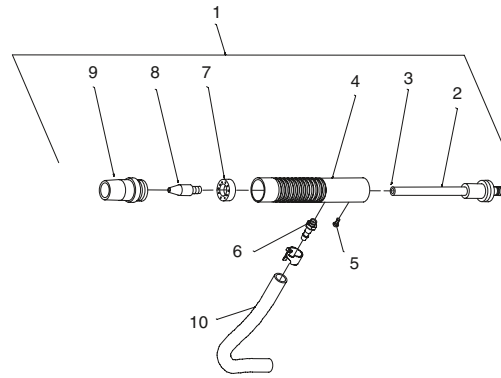
Item #	Part #	Description	Quantity
	239 173	H200L4-10 Gun 15 ft (4.6 m), 200 A, .030-.035 (0.8-0.9 mm)	1
1	200 258	Nozzle, slip type, .500 orf flush	1
	169 724¹	Nozzle, slip type, .500 orf .125 recess	1
	169 725¹	Nozzle, slip type, .625 orf .125 recess	1
	169 726¹	Nozzle, slip type, .625 orf flush	1
	169 727¹	Nozzle, slip type, .625 orf .125 stitch out	1
2	087 299¹	Tip, contact scr .023 wire x 1.125	1
	000 067¹	Tip, contact scr .030 wire x 1.125	1
	000 068¹	Tip, contact scr .035 wire x 1.125	1
	000 069¹	Tip, contact scr .045 wire x 1.125	1
3	169 728	Adapter, contact tip	1
4	169 729	Adapter, nozzle w/retaining ring	1
5	170 468	O-Ring	1
6	169 730	Washer, shock	1
7	242 585	Tube head assembly	1
8	242 635	Handle, front H-20 welding gun	1
9	225 410	Switch, trigger	1
10	242 597	Handle, rear H-20 welding gun	1
11	242 598	Collar, adapter feeder connector	1
12	242 604	Connector, feeder H-20 welding gun	1
13	079 974	O-ring, .500 ID x .103 cs rbr	1 (2 per pkg)
14	194 010	Liner, monocoil .023/.025 wire x 15 ft (consisting of)	1
	194 011	Liner, monocoil .030/.035 wire x 15 ft (consisting of)	1
	194 012	Liner, monocoil .035/.045 wire x 15 ft (consisting of)	1
15	079 975	O-ring, .312 ID x .062 70 Dura Buna-N	1
16	227 800	Cord, trigger assembly	1

¹Optional



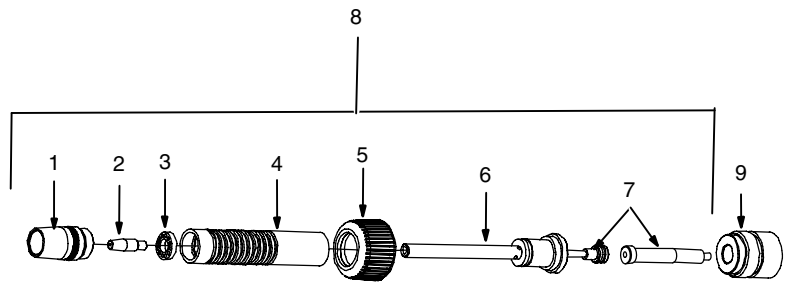
Millermatic Service Parts

Model	Serial # Effective	On/Off Switch #	Contactors #	Gas Valve #	Wire Speed Pot/Rheostat #	Wire Speed Knob #	Fan Motor #	Fan Blade #	Drive Motor #	CR-1 Relay #	Range Switch #
Challenger™	KG171523	116 830	252 676	218 422	000 101	097 922	495 429	005 656	173 446	—	—
Challenger™ 172	KH511668	116 830	252 676	218 422	See Manual	097 922	495 429	005 656	186 212	006 393	250 658
MM 90/130	KB102926	111 997 (115 V) 116 830 (230 V)	252 676	218 421	000 101	097 922	111 931	005 656	173 446	006 393	—
MM 120/150	KB100704	116 830	252 676	218 422	072 623	097 922	495 429	005 656	090 087	072 817	—
MM 130 XP	KH418495	111 997	252 676	218 421	186 207	097 922	495 428	005 656	186 212	See Manual	250 658
MM 135	LB204281	196 575	—	218 421	See Manual	171 007	196 063	409953-001	202 708	—	202 663
MM 140/ 140 with Auto-Set™	LG320643	196 575	—	218 421	207 415	171 007	196 063	409953-001	202 708	—	202 663
MM 175	LB204053	196 574	—	218 422	See Manual	207 078	196 064	409953-001	202 708	—	202 663
MM 180	LG320643	196 574	—	218 422	207 415	207 078	196 064	409953-001	202 708	—	202 663
MM 185	KG171523	124 511	See Manual	222 837	035 897	171 007	123 468	005 656	See Manual	072 817	153 197
MM 200	HK240615	See Manual	See Manual	See Manual	030 943	171 007	081 373	081 372	—	See Manual	049 280
MM 210	LC218652	124 511	196 600	See Manual	See Manual	See Manual	188 706	148 809	202 888	—	192 373
MM 211	LJ330001N	196 575	—	232 516	207 415	207 078	See Manual	See Manual	202 708	—	202 663
MM 212	LH131786B	124 511	196 600	246 753	228 104	207 077	188 706	148 809	233 009	—	—
MM 212 w/Auto-Set™	LJ180754B	124 511	—	246 753	238 100	238 122	188 706	148 809	233 009	—	—
MM 250	KB054828	250 006	—	222 837	035 897	171 007	148 808	148 809	See Manual	006 393	035 897
MM 250MP	KB054828	250 006	—	222 837	—	—	148 808	148 809	See Manual	006 393	—
MM 250X w/o meters	KJ081597	250 006	—	222 837	035 897	171 007	188 706	148 809	227 117	006 393	035 897
MM 250X w/ meters	KK227730	250 006	—	222 837	See Manual	171 007	188 706	148 809	227 117	006 393	See Manual
MM 251	LB170597	250 006	—	See Manual	See Manual	See Manual	188 706	148 809	227 117	052 964	See Manual
MM 252	LG290851B	250 006	—	246 753	—	218 764	188 706	148 809	225 341	—	—
MM 300 w/o meters	KH457123	244 920	—	222 837	035 897	171 007	148 808	148 809	227 117	—	035 897
MM 300 w/meters	KK310628	244 920	—	222 837	035 897	171 007	148 808	148 809	227 117	—	035 897
MM 350/350P	LC447907	See Manual	248 620	See Manual	—	—	213 043	—	223 541	106 462	—
MM DVI™	LE204883	219 552	196 600	216 396	198 087	207 077	188 706	148 809	202 888	072 817	153 197
MM DVI-2™	LH021271B	219 552	196 600	246 753	198 087	207 077	188 706	148 809	230 496	—	192 373
MM Passport	LE444123	—	—	220 011	—	174 992	234 728	—	202 708	—	—
MM Passport Plus	LH380053N	—	—	220 011	—	174 992	234 728	—	202 708	—	—
MM Pulser	LA259996	250 006	196 600	218 494	035 897	171 007	188 706	148 809	227 117	—	192 373
MM Reach	LK220947N	—	—	244 300	—	238 873	—	—	223 541	—	—
Vintage	KF806591	250 006	See Manual	218 421	035 897	171 007	See Manual	See Manual	See Manual	080 388	153 197



Spoolmate™ 100 Series

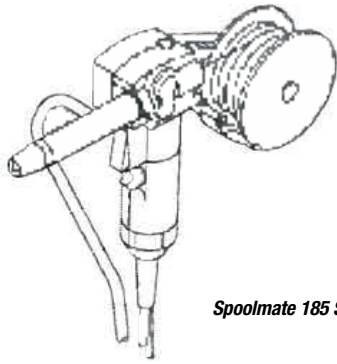
Item #	Part #	Description	Quantity
1	186 404	Gun Tube Assembly (Includes)	1
2	234 348	Head Tube Assembly	1
3	206 363	Liner Kit	1
4	194 633	Barrel	1
5	209 080	Screw, M4 x 0.7 x 6 mm	1
6	186 408	Gas Nipple	1
7	186 409	Gas Diffuser	1
8	186 419	Contact Tip .030	1
8	186 406	Contact Tip .035	1
8	199 730	Contact Tip .023	1
9	186 405	Nozzle	1
10	111 400	Hose, SAE .187 ID x .410 OD x 8.000	1



Spoolmate™ 200 Series

Item #	Part #	Description	Quantity
1	186 405	Nozzle, Scr Type .562 Orif x 1.437 Lg	1
2	186 406	Contact Tip, .035 M5 x .8 mm Thread	1
2	186 419	Contact Tip, .030 M5 x .8 mm Thread	1
2	199 730	Contact Tip, .023 M5 x .8 mm Thread	1
3	186 409	Gas Diffuser	1
4	243 294	Barrel	1
5	243 383	Locking Nut	1
6	244 880	Head Tube Assembly	1
7	247 351	Kit, Liner w/ Outlet Guide (4.75 in. long)	1
8	243 385	Gun Tube Assembly	1
9	243 390	Contact Adapter	1

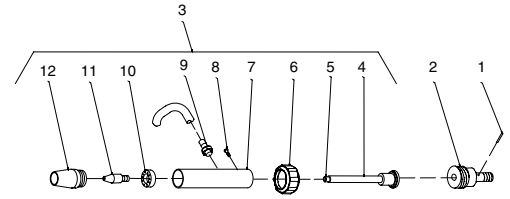
SPOOL GUNS



Spoolmate 185 Spool Gun

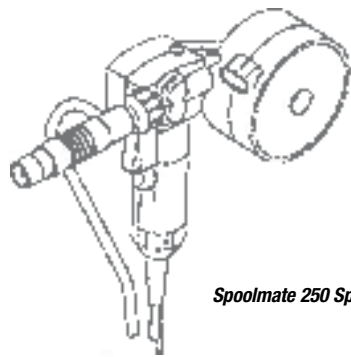


Spoolmate 3035 Spool Gun



Spoolmate™ 185 & 3035 Series

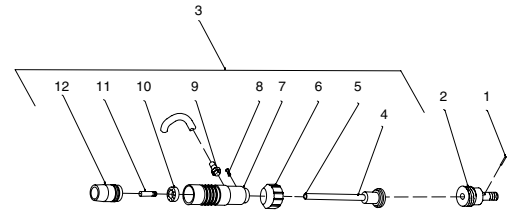
Item #	Part #	Description	Quantity
1	197 570	Anti-Rotation Pin	1
2	196 848	Contact Adapter	1
3	196 827	Gun Tube Assembly (Includes)	1
4	196 849	Head Tube Assembly	1
5	206 363	Liner Kit	1
6	196 847	Locking Nut	1
7	194 633	Barrel	1
8	209 080	Screw, M4 x 0.7 x 6 mm	1
9	186 408	Gas Nipple	1
10	186 409	Gas Diffuser	1
11	186 419	Contact Tip .030	1
11	186 406	Contact Tip .035	1
11	199 730	Contact Tip .023	1
12	186 405	Nozzle	1



Spoolmate 250 Spool Gun

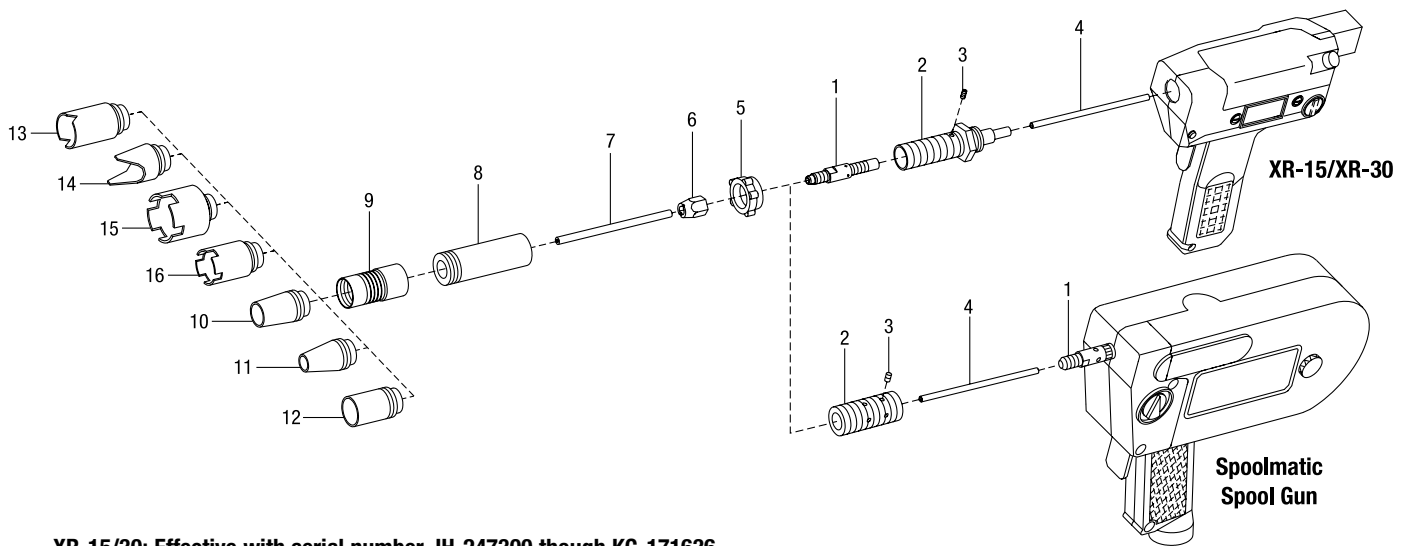


Spoolmate 3545 Spool Gun



Spoolmate™ 250 & 3545 Series

Item #	Part #	Description	Quantity
1	197 570	Anti-Rotation Pin	1
2	196 848	Contact Adapter	1
3	199 385	Gun Tube Assembly (consisting of)	1
4	199 394	Head Tube Assy	1
5	206 363	Liner Kit	1
6	196 847	Locking Nut	1
7	199 393	Barrel	1
8	209 080	Screw, M5 x 0.7 x 6 mm	1
9	199 391	Gas Nipple	1
10	199 390	Gas Diffuser	1
11	199 387	Contact Tip .030	1
11	199 388	Contact Tip .035	1
11	199 389	Contact Tip .047	1
12	050 622	Nozzle	1



XR-15/30: Effective with serial number JH-247300 through KC-171636.

XR™-15/XR™-30 and Spoolmatic® 1,2,3 Service Parts/Consumables

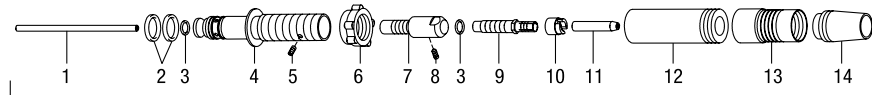
Item #	Part # XR-15/30	Part # Spoolmatic 1,2,3	Description	Quantity
1	112 704	058 678	Adapter, contact tube	1
2	112 885 (N/A)	009 541	Adapter, barrel	1
3	602 172	—	Screw, set stl sch 10-32 x .187 cup point	1
	—	604 771	Screw, set stl sch 10-32 x .125 cup point	4
4	112 708	—	Liner, teflon .030–.035 (0.8–0.9 mm) wire x 4.125	1
	112 707	—	Liner, teflon .047–1/16 (1.2–1.6 mm) wire x 4.125	1
	—	058 681	Liner, teflon .030–.035 (0.8–0.9 mm) wire x 5.187	1
	—	058 682	Liner, teflon .047–1/16 (1.2–1.6 mm) wire x 5.187	1
5	058 685	058 685	Nut, jam nozzle extension	1
6	058 676	058 676	Nut, brs cprsn .438-20	1
7	050 638	050 638	Tube, cont sl .030 (0.8 mm) wire x 4.000	1 (5 per pkg)
	094 259	094 259	Tube, cont sl .035 (0.9 mm) wire x 4.000	1 (5 per pkg)
	094 260	094 260	Tube, cont sl .047 (1.2 mm) wire x 4.000	1 (5 per pkg)
	050 637	050 637	Tube, cont sl 1/16 (1.6 mm) wire x 4.000	1 (5 per pkg)
8	156 821	156 821	Extension, barrel 2.875 lg	1
9	144 862	144 862	Extension, nozzle	1
10	050 622	050 622	Nozzle, 5/8 orf (15.9 mm) x 1-5/8 lg	1 (2 per pkg)
11	050 115	050 115	Nozzle, 1/2 orf (12.7 mm) x 1-5/8 lg	1 (2 per pkg)
12	050 116	050 116	Nozzle, 13/16 (20.6 mm) orf x 1-5/8 lg	1 (2 per pkg)
13	009 925 (N/A)	009 925 (N/A)	Nozzle, spot outside corner .937 ID x 2.375	1
14	000 443	000 443	Nozzle, spot inside corner	1
15	004 466	004 466	Nozzle, spot flat, 1-3/8 orf (35 mm)	1
16	000 442 (N/A)	000 442 (N/A)	Nozzle, spot flat, 15/16 orf (24 mm)	1
	050 960	050 960	Wrench	1
	053 131	053 131	Drive Roll, V-knurl .030–1/16 (0.8–1.6 mm)	1
	194 405 ¹	—	Complete Conduit Assemblies with Liner and Fittings (replaces #112 715)	15 ft
	194 410 ¹	—	Complete Conduit Assemblies with Liner and Fittings (replaces #112 716)	30 ft
	191 065	—	Replacement Liner, gun feed cable .187 OD x .110 ID	32 ft
	191 066	—	Replacement Liner, gun feed cable .187 OD x .110 ID	50 ft
	197 440	—	Replacement Liner, bulk gun feed cable .187 OD x .110 ID	500 ft
	191 061	—	Replacement Tubing, gun liner carrier	15 ft
	191 062	—	Replacement Tubing, gun liner carrier	30 ft
	191 063	—	Replacement Tubing, gun liner carrier	50 ft
	156 486 (N/A)	—	Conversion Kit, converts XRs with 4" contact tubes to 1-7/16" tubes	1

¹Updates XRs from one-piece conduit (#112 715 or #112 716) to new style configuration that features replaceable feed cable liners and improved feedability.

SPOOL GUNS

Spoolmatic serial numbers
KD376404 - LC259177

XR prior to serial number LC373469



#193 142 Barrel Assembly



- | | | | |
|--------------------------------|-------------------|---|-------------------|
| 1. Head Tube Liner | (See chart below) | 11. Contact Tip | (See chart below) |
| 2. O-Ring .614 ID | #134 800 | 12. Barrel Extension (Air-cooled) | #156 821 |
| 3. O-Ring .176 ID | #164 485 | 13. Nozzle Extension (Air-cooled) | #144 862 |
| 4. Barrel Adapter (Air-cooled) | #164 423 | 14. Nozzle (Standard) | #050 622 |
| 5. Set Screw | #602 172 | Wrench (Not shown) | #136 821 |
| 6. Jam Nut (Air-cooled) | #058 685 | Note: To use new FasTip tips, use Gas Diffuser #209 875, Head Tube Liner #212 523, and Insulator Contact Tip Adapter #185 097. | |
| 7. Head Tube (Air-cooled) | #164 422 | Note: For optional nozzles see page 41. | |
| 8. Set Screw (Air-cooled) | #604 612 | | |
| 9. Contact Tip Adapter | #164 421 | | |
| 10. Collet Nut | #136 748 | | |

XR™/XR-M, Spoolmatic® 15/30A Consumables

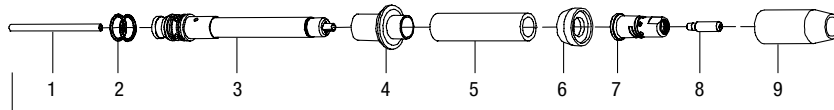
Air-cooled parts breakdown and gun shown. Consult owner's manual for water-cooled parts and consumables.

Wire Diameter	Standard Contact Tip I.D.	Optional (Smaller) Contact Tip I.D.	Gun Head Tube Liner
.030 in (0.8 mm)	.041 in (1.0 mm) #135 428	.036 in (1.0 mm) #135 427	#136 682
.035 in (0.9 mm)	.052 in (1.3 mm) #135 430	.041 in (1.0 mm) #147 314	#136 682
.047 in (1.2 mm)	.061 in (1.5 mm) #135 424	.052 in (1.0 mm) #135 429	#136 683
.062 in (1.6 mm)	.081 in (2.1 mm) #135 425	.073 in (1.0 mm) #135 426	#136 683

For guns between LC259177 and LE239243, call Miller parts for information.

Spoolmatic effective with serial number
LE239243

XR effective with serial number LE033395



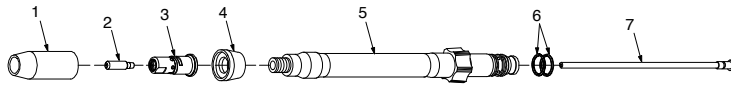
#231 523 Air-Cooled Assembly Kit (Illustrated above)
#231 524 Water-Cooled Assembly Kit (Not shown, consult owner's manual)

- | | | | |
|---------------------------------|----------|----------------------|-------------------|
| 1. Head Tube Liner | #212 156 | 7. Diffuser | #227 749 |
| 2. O-Ring .614 ID | #134 800 | 8. Contact Tip | (See chart below) |
| 3. Barrel Assembly (Air-cooled) | #221 087 | 9. Nozzle (Standard) | #199 613 |
| 4. Barrel Pistol Insulator | #219 795 | | |
| 5. Outer Insulating Jacket | #219 794 | | |
| 6. Nozzle Insulator | #232 284 | | |

XR™/XR-M, Spoolmatic® 15/30A FasTip™

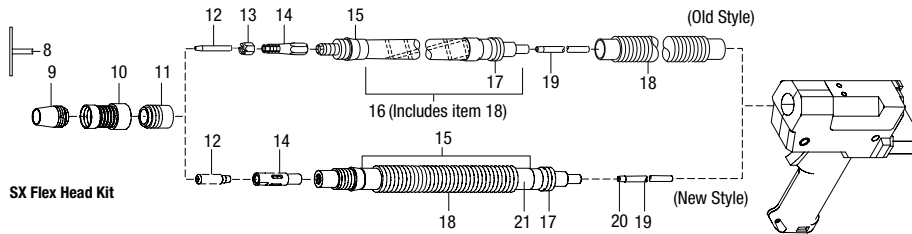
Air-cooled parts breakdown and gun shown. Consult owner's manual for water-cooled parts and consumables.

Wire Diameter Steel / Aluminum	FasTip Contact Tip I.D.	XR-Pistol Drive Rolls	XR-Pistol All-Wire Dual Groove Drive Rolls	Cable Liners
.035 in (0.9 mm) / .030 in (0.8 mm)	.041 in (1.0 mm) #206 186	#183 357	#136 135	#191 065 15 ft (4.6 m) or 30 ft (9.1 m)
.040 in (1.0 mm) / .035 in (0.9 mm)	.047 in (1.2 mm) #206 187	#183 357	#136 135	#191 066 50 ft (15.2 m)
.045 in (1.2 mm) / -	.053 in (1.3 mm) #206 188	#183 357	#136 135	#197 440 500 ft (152 m)
.052 in (1.3 mm) / .047 in (1.2 mm)	.061 in (1.5 mm) #206 189	#183 358	#136 135	
.062 in (1.6 mm) / -	.071 in (1.8 mm) #206 190	#183 358	#136 135	

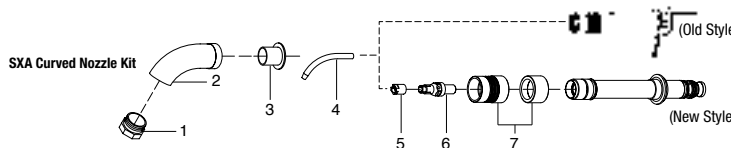


XR™-A/Spoolmatic® 30A Options

Item #	Part #	Description	Kit Quantity
	222 735	Kit, Flex Head 10 in for XRA	
1	199 613	Nozzle, Brass 5/8 in Orifice Tapered	1
2	See Page 50	Contact Tip	1
3	206 195	Diffuser, .281/.312 Od Fastip 1/8 Tip Recess	1
4	198 856	Insulator, Nozzle	1
5	222 839 (N/A)	Torch, Flex	1
6	134 800	O-Ring, .614 Id x .070 CS 70 Duro Buna-N	2
7	222 855	Kit, Liner (Includes)	1
	222 853	Liner, Nylon .030-.045 Wire x 11.625	1
	1910031	Liner, Nylon .047-.062 Wire x 11.625	1



Item #	Part # (Old Style)	Part # (New Style)	Description	Kit Quantity
8	136 821	—	Wrench (standard length), nut tip contact	1
9	—	See page 47	Nozzle	1
10	144 862	144 862	Extension Nozzle	1
11	130 632	130 632	Insulator, ring	1
12	—	See page 47	Contact Tip	1
13	136 748	—	Nut, compression	1
14	136 431	—	Adapter, contact tube	1
	—	209 875	Diffuser, FasTip slotted	1
15	153 667	153 667	Clamp, Sst bundle dia 2.00 x .18 wide x 7.90 lg	1 (Old Style) / 2 (New Style)
16	140 665	212 679 (N/A)	Tube, head flexible (includes)	1
17	134 800	134 800	O-Ring, .614 ID x .070CS	2
18	131 171 (N/A)	131 171 (N/A)	Tubing, nrm convoluted 7.100 lg x .740 ID cuffs	1
19	138 255	222 853	Liner, teflon .030-.035 (0.8-0.9 mm) wire x 11.625 lg, black	1
	132 682	222 854	Liner, teflon .047-.062 (1.2-1.6 mm) wire x 11.625 lg, yellow	1
	—	212 401	Liner, phos bronze .030-1/16 (0.8-1.6 mm) wire x 11.249	1
20	—	134 799	O-Ring, .176 ID x .070CS	1
21	—	212 680 (N/A)	Flex torch (inside tubing)	1



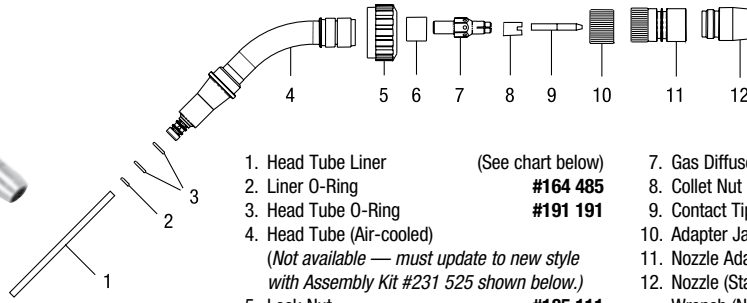
New style Spoolmatic effective with serial number LE239243.

New style XR effective with serial number LE033395.

Item #	Part # (Old Style)	Part # (New Style)	Description	Kit Quantity
	147 174	300 161	Kit, SXA Curved Nozzle 50 Degree, Machine Sales Item	
1	005 417	005 417	Nut, retaining ring	1
2	005 432	005 432	Nozzle, curve with collar	2
3	148 158	148 158	Insulator, nozzle	2
4	148 155	148 155	Tip, cont sl .030-.035 (0.8-0.9 mm) wire curved	2
	148 154 (N/A)	148 154	Tip, cont sl 3/64 (1.19 mm) wire curved	2
	148 156	148 156	Tip, cont sl 1/16 (1.6 mm) wire curved	2
5	—	136 748	Nut, compression	1
6	—	185 110	Adapter, quick-change contact tip	1
7	—	193 794	Kit, nozzle adapter	1
8	148 151	148 151	Wrench (short length), nut retaining tip contact	1
	—	222 462	Kit, 50 degree head tube (air-cooled), Machine Sales Item	1
	—	222 464	Kit, 50 degree head tube (water-cooled), Machine Sales Item	1

SPOOL GUNS

XR from serial number
KK082113 to LC373468



- | | | | |
|---------------------------|--|-----------------------|-------------------|
| 1. Head Tube Liner | (See chart below) | 7. Gas Diffuser | #185 110 |
| 2. Liner O-Ring | #164 485 | 8. Collet Nut | #136 748 |
| 3. Head Tube O-Ring | #191 191 | 9. Contact Tip | (See chart below) |
| 4. Head Tube (Air-cooled) | (Not available — must update to new style with Assembly Kit #231 525 shown below.) | 10. Adapter Jam Nut | #185 102 |
| 5. Lock Nut | #185 111 | 11. Nozzle Adapter | #185 105 |
| 6. Insulator | #185 097 | 12. Nozzle (Standard) | #185 100 |
- Wrench (Not shown) #136 821

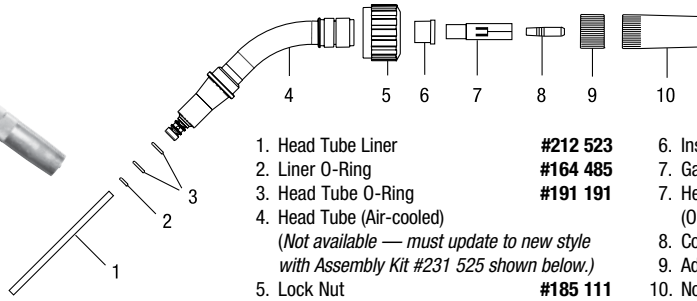
Note: For optional nozzles see page 41.

XR-Edge Consumables

Air-cooled parts breakdown and gun shown.
Consult owner's manual for water-cooled parts and consumables.

Wire Diameter	Standard Contact Tip I.D.	Optional (Smaller) Contact Tip I.D.	Gun Head Tube Liners	Aluminum Feed Cable Liners
.030 in (0.8 mm)	.041 in (1.0 mm) #135 428	.036 in (0.9 mm) #135 427	#193 793	#191 065 30 ft (9 m)
.035 in (0.9 mm)	.052 in (1.3 mm) #135 430	.041 in (1.0 mm) #147 314	#193 793	#191 066 50 ft (15.2 m)
.040 in (1.0 mm)	.052 in (1.3 mm) #135 430	—	#193 793	#197 440 500 ft (152 m)
.047 in (1.2 mm)	.061 in (1.5 mm) #135 424	.052 in (1.3 mm) #135 429	#193 792	

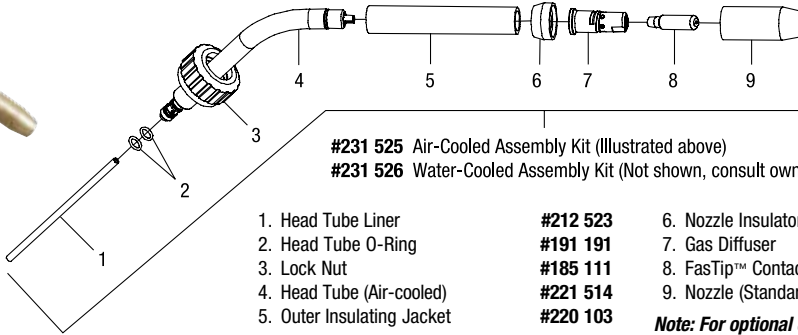
XR from serial number
LC373394 to LE033394



- | | | | |
|---------------------------|--|---------------------------------------|-------------------|
| 1. Head Tube Liner | #212 523 | 6. Insulator | #185 097 |
| 2. Liner O-Ring | #164 485 | 7. Gas Diffuser | #209 875 |
| 3. Head Tube O-Ring | #191 191 | 7. Heavy-Duty Gas Diffuser (Optional) | #202 283 |
| 4. Head Tube (Air-cooled) | (Not available — must update to new style with Assembly Kit #231 525 shown below.) | 8. Contact Tip | (See chart below) |
| 5. Lock Nut | #185 111 | 9. Adapter Jam Nut | #185 102 |
| | | 10. Nozzle (Standard) | #197 728 |

Note: For optional nozzles see page 41.

XR effective with serial number
LE033395



#231 525 Air-Cooled Assembly Kit (Illustrated above)
#231 526 Water-Cooled Assembly Kit (Not shown, consult owner's manual)

- | | | | |
|----------------------------|----------|------------------------|-------------------|
| 1. Head Tube Liner | #212 523 | 6. Nozzle Insulator | #232 284 |
| 2. Head Tube O-Ring | #191 191 | 7. Gas Diffuser | #227 749 |
| 3. Lock Nut | #185 111 | 8. FasTip™ Contact Tip | (See chart below) |
| 4. Head Tube (Air-cooled) | #221 514 | 9. Nozzle (Standard) | #199 613 |
| 5. Outer Insulating Jacket | #220 103 | | |

Note: For optional consumables see page 41.

XR-Edge FasTip Consumables

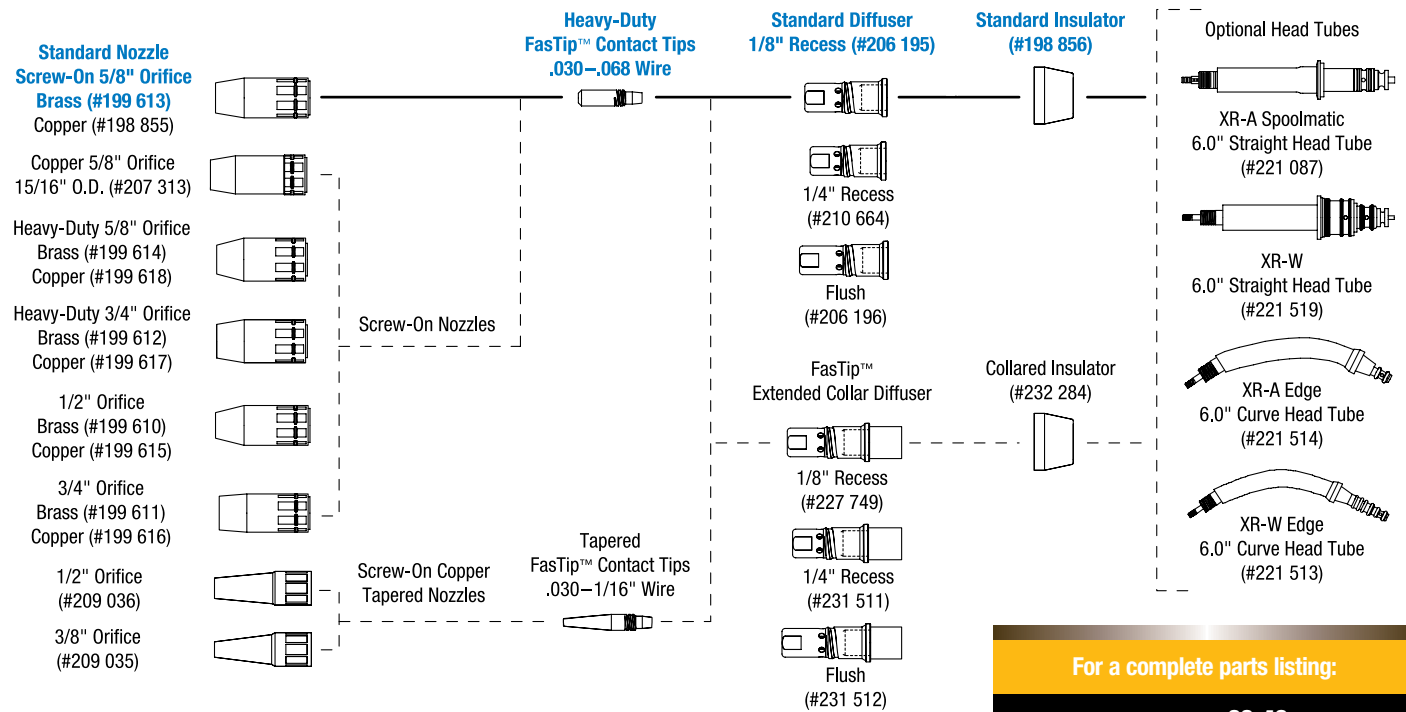
Air-cooled parts breakdown and gun shown.
Consult owner's manual for water-cooled parts and consumables.

Wire Diameter Steel / Aluminum	FasTip Contact Tip I.D.	XR-Edge Drive Rolls	Optional Isolated XR-Edge Drive Rolls	Cable Liners
.035 in (0.9 mm) / .030 in (0.8 mm)	.041 in (1.0 mm) #206 186	#194 114	#198 434 (N/A)	#191 065 15 ft (4.6 m) or
.040 in (1.0 mm) / .035 in (0.9 mm)	.047 in (1.2 mm) #206 187	#194 115	#198 435	30 ft (9.1 m)
.045 in (1.2 mm) / —	.053 in (1.3 mm) #206 188	#196 302	#198 436 (N/A)	#191 066 50 ft (15.2 m)
.052 in (1.3 mm) / .047 in (1.2 mm)	.061 in (1.5 mm) #206 189	#194 116	#198 437	#197 440 500 ft (152 m)
.062 in (1.6 mm) / —	.071 in (1.8 mm) #206 190	#194 117	#198 438 (N/A)	



New Style XR™-Edge and XR™/Spoolmatic® FasTip™ Consumables

Note: Standard gun components are in blue type.



For a complete parts listing:

see pages 38-40

XR™/Spoolmatic® 30A Nozzles (Serial Numbers KD376404-LC259177)



XR™-Edge Nozzles (Serial Numbers KK082113 - LE033394)



¹Can use with water-cooled guns, Nozzle Adapter Kit #193 794 required.

Contact Tips		Description
(10 p/pkg)	(25 p/pkg)	
Heavy-Duty FasTip™		
#223 016	#206 186	.030/.035 in (0.8/0.9 mm) aluminum wire
#223 017	#206 187	.035/.040 in (0.9/1.0 mm) aluminum wire
#223 018	#206 188	.040/.045 in (1.0/1.2 mm) aluminum wire
#223 019	#206 189	.052 in (1.3 mm) or 3/64 in (1.2 mm) aluminum wire
#223 200	#206 190	1/16 in (1.6 mm)
—	#206 191	.068 in (1.7 mm) or 1/16 in (1.6 mm) aluminum wire
Tapered FasTip™		
—	#209 026	.030/.035 in (0.8/0.9 mm) aluminum wire
—	#209 027	.035/.045 in (0.9/1.2 mm) aluminum wire
—	#209 028	3/64 in (1.2 mm)
—	#209 029	.052 in (1.3 mm)
—	#209 030	1/16 in (1.6 mm)

SPOOL GUNS

XR-Aluma-Pro

#231 519 Air-Cooled Assembly Kit
Short Barrel, 4 in (102 mm)

#231 518* Air-Cooled Assembly Kit
Long Barrel, 6 in (152 mm)

1. Head Tube Liner	(See chart below)	6. Insulating Jacket, short	#227 159
2. Head Tube O-Rings	#230 969	Insulating Jacket, long	#229 673
3. Lock Nut	#227 168	7. Gas Diffuser	#229 670
4. Insulator Ring Rear	#227 416	8. FasTip™ Contact Tip	(See chart below)
5. Head Tube Short	#227 158	9. Nozzle (Standard)	#198 855
Head Tube Long	#229 672		

Note: For optional consumables see page 41.

XR™-Aluma-Pro™ Consumables

Air-cooled parts breakdown and gun shown.
Consult owner's manual for water-cooled parts and consumables.

Wire Diameter Steel / Aluminum	FasTip Contact Tip I.D.	Drive Rolls	Idler Rolls	Inlet Guides	Air-Cooled Head Tube Liner Short Barrel, 4 in (102 mm)	Air/Water Cooled Head Tube Liner Long Barrel, 6 in (152 mm)	Cable Liners
.035 in (0.9 mm) / .030 in (0.8 mm)	.041 in (1.0 mm) #206 186	#227 434	#227 439	#227 408	#227 161	#229 674	#229 887 15 ft (4.6 m)
.040 in (1.0 mm) / .035 in (0.9 mm)	.047 in (1.2 mm) #206 187	#227 434	#227 439	#227 408	#227 161	#229 674	#229 891 25 ft (7.6 m)
.045 in (1.2 mm) / –	.053 in (1.3 mm) #206 188	#227 434	#227 439	#227 408	#230 239	#229 431	#232 321 35 ft (10.6 m)
.052 in (1.3 mm) / .047 in (1.2 mm)	.061 in (1.5 mm) #206 189	#227 434	#227 439	#227 408	#230 239	#229 431	#233 999 Long*
.062 in (1.6 mm) / –	.071 in (1.8 mm) #206 190	#227 434	#230 710	#230 711	#230 239	#229 431	#233 998 Short*

*Optional phos bronze liners.

XR-Aluma-Pro Plus

#246 301 Air-Cooled Assembly Kit, Long Barrel

1. Head Tube Liner	#230 242	6. Diffuser	D-1AP
2. Head Tube O-Ring	#191 191	7. Contact Tip	(See chart below)
3. Insulator	#227 416	8. Nozzle (Standard)	N-5818C
4. Lock Nut	#227 168		
5. Insulating Jacket, Long	#229 673		

XR™-Aluma-Pro Plus™ Consumables

Air-cooled parts breakdown and gun shown.
Consult owner's manual for water-cooled parts and consumables.

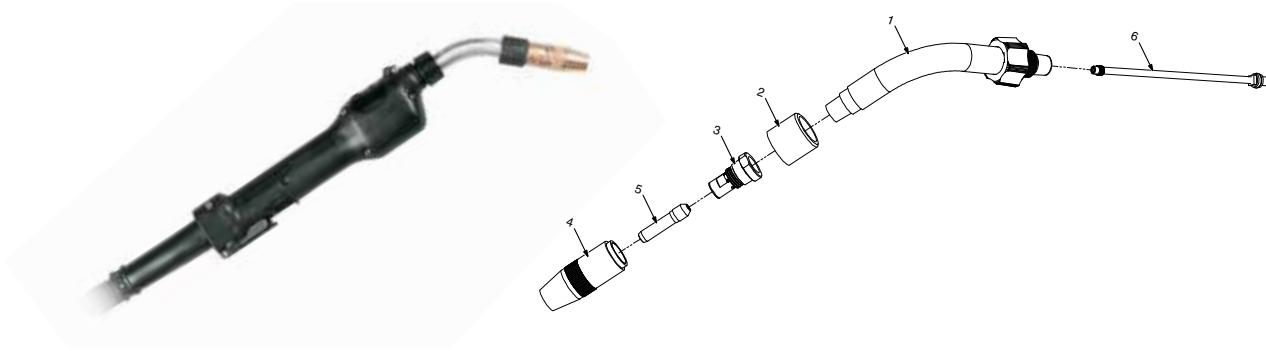
Wire Diameter Steel / Aluminum	Contact Tips (10 pack) Steel / Aluminum	Drive Rolls	Idler Rolls	Air/Water Cooled Head Tube Liner Long Barrel, 6 in (152 mm)	Cable Liners
.035 in (0.9 mm) / .030 in (0.8 mm)	T-035 / –	#227 434	#230 708	#230 235	#229 887 15 ft (4.6 m)
.040 in (1.0 mm) / .035 in (0.9 mm)	– / T-035AL	#227 434	#230 708	#230 235	#229 891 25 ft (7.6 m)
.045 in (1.2 mm) / –	T-045 / T-047AL	#227 434	#230 708	#230 432	#232 321 35 ft (10.6 m)
.052 in (1.3 mm) / .047 in (1.2 mm)	– / –	#227 434	#230 708	#230 432	#233 999 Long*
.062 in (1.6 mm) / –	T-062 / T-062AL	#227 434	#230 708	#230 432	#233 998 Short*

Air-cooled parts breakdown and gun shown. Consult owner's manual for water-cooled parts and consumables.

*Optional phos bronze liners.

For parts and support on the XR Python please contact MK Products at 949-863-1234

XR-Aluma-Pro Lite



XR-TMAluma-ProTM Lite Consumables

Air-cooled parts breakdown and gun shown.
Consult owner's manual for water-cooled parts and consumables.

Item #	Part #	Description	Quantity
	254 477	Head Tube Assy, Aluma-Pro Lite (Including)	1
1	QT2-45	Tube, Body 45 Degree x 2.69 Lg	1
	1840057	Clip-on Q-Nut Cover	1
	1840031	Body Tube Insulating Sleeve	2
2	4323R	Insulator, Nozzle (Small)	1
3	DS-1	Diffuser, C-Fire (Small Nozzle)	1
4	NS-1218C	Nozzle, C-Fire Small Copper 1/2 in. Recess 1/8 in.	1
5	T-047AL	Centerfire Contact Tip, Aluminum 3/64 in.	1
5	T-035AL	Centerfire Contact Tip, Aluminum .035	1
5	T-047AL	Centerfire Contact Tip, Aluminum 3/64 in.	1
5	T-035AL	Centerfire Contact Tip, Aluminum .035	2
6	258 541	Kit, Jump Liner Assy .030-.035 (5 pk)	1
6	258 542	Kit, Jump Liner Assy .047-.062 (5 pk)	1
6	258 726	Kit, Jump Liner Assy .030-.035 14 in. Long (5 pk)	1
6	258 727	Kit, Jump Liner Assy .047-.062 14 in. Long (5 pk)	1

Optional Head Tube Assemblies (for XR-Aluma-Pro guns)



45 Degree/4 Inch (Air-Cooled) #255 037



45 Degree/4 Inch (Water-Cooled) #255 338



45 Degree/6 Inch (Air-Cooled) #255 040



45 Degree/6 Inch Heavy-Duty (Water-Cooled) #258 293



45 Degree/6 Inch (Water-Cooled) #231 517



45 Degree/10 Inch Tight ACS (Air-Cooled) #258 295

Optional Head Tube Assemblies (for XR-Aluma-Pro guns) continued...



60 Degree/4 Inch (Air-Cooled) #231 519



60 Degree/4 Inch (Water-Cooled) #255 038



60 Degree/6 Inch (Air-Cooled) #231 518



60 Degree/6 Inch (Water-Cooled) #255 041



60 Degree/6 Inch Heavy-Duty
(Water-Cooled) #258 294



180 Degree/4 Inch (Air-Cooled) #255 716



180 Degree/4 Inch (Water-Cooled) #255 717



180 Degree/6 Inch (Air-Cooled) #258 476



180 Degree/6 Inch (Water-Cooled) #258 477



180 Degree/8 Inch (Air-Cooled) #255 042



180 Degree/8 Inch (Water-Cooled) #255 043



45 Degree/6 Inch with Centerfire™
(Water-Cooled) #246 205



60 Degree/6 Inch with Centerfire™
(Air-Cooled) #246 301



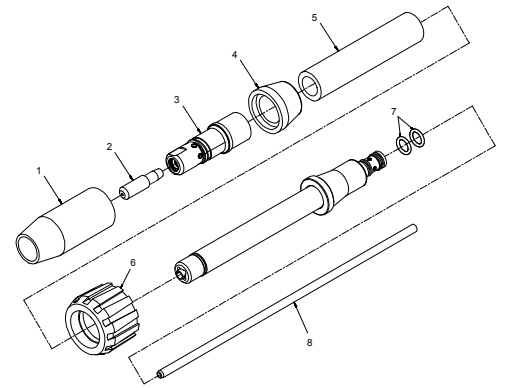
180 Degree/4 Inch with Centerfire™
(Air-Cooled) #258 474



180 Degree/4 Inch with Centerfire™
(Water-Cooled) #258 475



XR-Pistol Pro

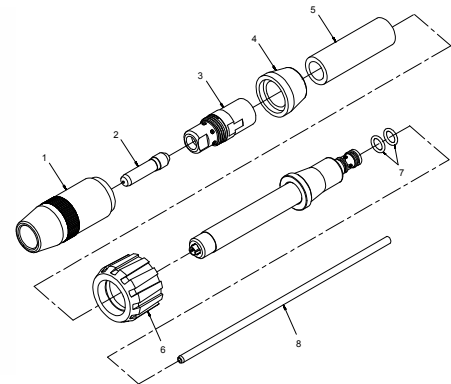


XRTM-Pistol Pro Consumables

Air-cooled parts breakdown and gun shown.
Consult owner's manual for water-cooled parts and consumables.

Item #	Part #	Description	Quantity
	255 716	Kit, Head Tube Assy (Air) AP/PP 180 Degree 4 in.	1
1	198 855	Nozzle, Copper 5/8 in.	1
2	206 189	Tip, Fastip .312 Od .052 And 3/64 Al Wires	1
3	229 670	Diffuser, .281/.312 Od Collar Fastip 1/8 Rec Aluma	1
4	232 284	Insulator, Nozzle Collared	1
5	M1366	Jacket Outer Insulating A/C Pistol Pro	1
6	227 168	Nut, Head Tube Rotation	1
7	191 191	O-Ring, .312 Id x .070 Cs 70 Duro Buna-n	2
8	M1273	Liner, Teflon .047-.062 Wire Pistol Pro	1
	230 969	Kit, Replacement O-Rings Head Tube Air	1

XR-Pistol Pro Plus



XRTM-Pistol Pro Plus Consumables

Air-cooled parts breakdown and gun shown.
Consult owner's manual for water-cooled parts and consumables.

Item #	Part #	Description	Quantity
	258 474	Kit, Head Tube Assy (Air) AP/PP 180 Degree 4 in. Lg Cntrfr	1
1	N-5818C	Nozzle, C-Fire Large Copper 5/8 in. Recess 1/8 in.	1
2	T-047AL	Contact Tip, Centerfire .047 Aluminum	1
3	D-1AP	Diffuser, Centerfire-D-1AP	1
4	232 284	Insulator, Nozzle Collared Diffuser (For 180 Degree/ Straight Only)	1
5	M1190 (N/A)	Insulator, Outer 180 Degree/ Straight (Air)	1
6	227 168	Nut, Head Tube Rotation	1
	230 969	Kit, Replacement)-Rings Head Tube Air (Includes)	1
7	191 191	O-Ring, .312 Id x .070 Cs 70 Duro Buna-n	2
8	M1442	Liner, Teflon .047-.062 Wire Soft Pro/Plus	1

DRIVE ROLLS



Base selection of drive rolls upon the following recommended usages:

1. V-Grooved rolls for hard wire.
2. U-Grooved rolls for soft and soft shelled cored wires.
3. U-Cogged rolls for extremely soft shelled wires.
4. V-Knurlled rolls for hard shelled cored wires.
5. Drive roll types may be mixed to suit particular requirement (example: V-Knurlled roll in combination with U-Grooved).

For a listing of special optional drive rolls:

see page 50

Drive Rolls

Millermatic® 200/210/212/250/251/252/DVI's/Pulser/Vintage (2 Drive Roll)
22/32/52 Series, SuitCase™ 8/12RC & 8/12VS, Reach Feeders (2 Drive Roll)

Wire Diameter			Drive Rolls			
Fraction	Decimal	Metric	Type	Kit #	Individual Drive Roll Part #	Inlet Wire Guide #
.023-.025 in	.023-.025 in	0.6 mm	V-Grooved	087 131	087 130	056 192
.030 in	.030 in	0.8 mm	V-Grooved	079 594	053 695	056 192
.030 and .035 in	.030 and .035 in	0.8 and 0.9 mm	V-Grooved	204 579 ¹	203 526 ¹	056 192
.035 and .045 in	.035 and .045 in	0.9 and 1.22 mm	V-Grooved	190 300 ¹	189 285 ¹	056 193
.035 in	.035 in	0.9 mm	V-Grooved	079 595	053 700	056 192
.045 in	.045 in	1.2 mm	V-Grooved	079 596	053 697	056 193
.052 in	.052 in	1.3 mm	V-Grooved	079 597	053 698	056 193
1/16 in	.062 in	1.6 mm	V-Grooved	079 598	053 699	056 195
.035 in	.035 in	0.9 mm	U-Grooved	044 749	072 000	221 912
3/64 in	.047 in	1.2 mm	U-Grooved	079 599	053 701	221 912
.052 in	.052 in	1.3 mm	U-Grooved	—	053 702	221 912
1/16 in	.062 in	1.6 mm	U-Grooved	079 601	053 706	056 195
5/64 in	.079 in	2.0 mm	U-Grooved	—	053 704	056 195
3/32 in	.094 in	2.4 mm	U-Grooved	—	053 703	056 196
7/64 in	.110 in	2.8 mm	U-Grooved	—	053 705	056 196
1/8 in	.126 in	3.2 mm	U-Grooved	—	053 707	056 197
.035 in	.035 in	0.9 mm	V-Knurlled	079 606	132 958	056 192
.045 in	.045 in	1.2 mm	V-Knurlled	079 607	132 957	056 193
.045 and 1/16 in	.045 and 1/16 in	1.22 and 1.6 mm	VK-Grooved	238 687 ¹	238 688 ¹	221 030
.052 in	.052 in	1.3 mm	V-Knurlled	079 608	132 956	056 193
1/16 in	.062 in	1.6 mm	V-Knurlled	079 609	132 955	056 195
.068-.072 in	.068-.072 in	1.8 mm	V-Knurlled	089 984	132 959	056 195
5/64 in	.079 in	2.0 mm	V-Knurlled	079 610	132 960	056 195
3/32 in	.094 in	2.4 mm	V-Knurlled	079 611	132 961	056 196
7/64 in	.110 in	2.8 mm	V-Knurlled	—	132 962	056 196
1/8 in	.126 in	3.2 mm	V-Knurlled	—	132 963	056 197
.045 in	.045 in	1.2 mm	U-Cogged	083 318	083 489	056 193
.052 in	.052 in	1.3 mm	U-Cogged	—	083 490	056 193
1/16 in	.062 in	1.6 mm	U-Cogged	079 614	053 708	056 195
5/64 in	.079 in	2.0 mm	U-Cogged	—	053 710	056 195
3/32 in	.094 in	2.4 mm	U-Cogged	—	053 709	056 196
7/64 in	.110 in	2.8 mm	U-Cogged	—	053 711	056 196
1/8 in	.126 in	3.2 mm	U-Cogged	—	053 712	056 197

¹Dual-size reversible drive roll

22/24 Series & SuitCase Feeders Nylon Wire Guides (For Feeding Aluminum Wire)

Wire Diameter	Inlet Guide #
.047 in (1.2 mm)	151 203
1/16 in (1.6 mm)	151 205
3/32 in (2.4 mm)	194 264

Note: Each drive roll kit contains 2 Drive Rolls and an Inlet Guide.

Note: U-Groove drive rolls are recommended when feeding aluminum wire.



Drive Rolls

Millermatic® 300/350/350P with Meters (4 Drive Roll)
54 Series, 24A & R-115 Feeders (4 Drive Roll)

Wire Diameter			Drive Rolls			Wire Guide	
Fraction	Decimal	Metric	Type	Kit #	Individual Drive Roll Part #	Inlet #	Intermediate #
.023-.025 in	.023-.025 in	0.6 mm	V-Grooved	087 132	087 130	056 192	056 206
.030 in	.030 in	0.8 mm	V-Grooved	046 780	053 695	056 192	056 206
.035 in	.035 in	0.9 mm	V-Grooved	046 781	053 700	056 192	056 206
.035 and 3/64 in	.035/.045 in	0.9/1.2 mm	V-Grooved	227 061 ¹	189 285 ¹	056 193	056 207
3/64 in	.045 in	1.2 mm	V-Grooved	046 782	053 697	056 193	056 207
.052 in	.052 in	1.3 mm	V-Grooved	046 783	053 698	056 193	056 207
1/16 in	.062 in	1.6 mm	V-Grooved	046 784	053 699	056 195	056 209
.035 in	.035 in	0.9 mm	U-Grooved	044 750	072 000	221 912	058 853
3/64 in	.047 in	1.2 mm	U-Grooved	046 785	053 701	221 912	058 853
.035 and 3/64 in	.035 and .045 in	1.9 and 1.2 mm	U-Grooved	—	232 826	221 912	233 843
.052 in	.052 in	1.3 mm	U-Grooved	—	053 702	221 912	058 837
1/16 in	.062 in	1.6 mm	U-Grooved	046 787	053 706	058 836	058 837
5/64 in	.079 in	2.0 mm	U-Grooved	—	053 704	056 195	056 209
3/32 in	.094 in	2.4 mm	U-Grooved	—	053 703	056 196	056 210
7/64 in	.110 in	2.8 mm	U-Grooved	—	053 705	056 196	056 210
1/8 in	.126 in	3.2 mm	U-Grooved	—	053 707	056 197	056 211
.035 in	.035 in	0.9 mm	V-Knurled	046 792	132 958	056 192	056 206
3/64 in	.045 in	1.2 mm	V-Knurled	046 793	132 957	056 193	056 207
.052 in	.052 in	1.3 mm	V-Knurled	046 794	132 956	056 193	056 207
1/16 in	.062 in	1.6 mm	V-Knurled	046 795	132 955	056 195	056 209
5/64 in	.079 in	2.0 mm	V-Knurled	046 796	132 960	056 195	056 209
3/32 in	.094 in	2.4 mm	V-Knurled	046 797	132 961	056 196	056 210
7/64 in	.110 in	2.8 mm	V-Knurled	—	132 962	056 196	056 210
1/8 in	.126 in	3.2 mm	V-Knurled	—	132 963	056 197	056 211
3/64 in	.045 in	1.2 mm	U-Cogged	—	083 489	056 193	056 207
.052 in	.052 in	1.3 mm	U-Cogged	—	083 490	056 193	056 207
1/16 in	.062 in	1.6 mm	U-Cogged	—	053 708	056 195	056 209
5/64 in	.079 in	2.0 mm	U-Cogged	—	053 710	056 195	056 209
3/32 in	.094 in	2.4 mm	U-Cogged	—	053 709	056 196	056 210
7/64 in	.110 in	2.8 mm	U-Cogged	—	053 711	056 196	056 210
1/8 in	.126 in	3.2 mm	U-Cogged	—	053 712	056 197	056 211

¹Dual-size reversible V-groove drive roll (one .035 and one .045 in groove)

Wire Diameter	Inlet Guide #	Intermediate Guide #
.035-.047 in (0.9-1.2 mm)	058 854	058 853
1/16 in (1.6 mm)	058 836	058 837
.023-.052 in (0.6-1.3 mm)	221 912	233 843

Note: Each drive roll kit contains 4 Drive Rolls, an Inlet Guide, and an Intermediate Guide.

Note: U-Groove drive rolls are recommended when feeding aluminum wire.

DRIVE ROLLS



Base selection of drive rolls upon the following recommended usages:

1. V-Grooved rolls for hard wire.
2. U-Grooved rolls for soft and soft shelled cored wires.
3. U-Cogged rolls for extremely soft shelled wires.
4. V-Knurlled rolls for hard shelled cored wires.
5. Drive roll types may be mixed to suit particular requirement (example: V-Knurlled roll in combination with U-Grooved).

For a listing of special optional drive rolls:

see page 50

Drive Rolls

62 series feeders, Pipe Pro 12 RC (2 roll kits), 64, 74 series feeder, Pipe Pro Single, Pipe Pro Single DX, Pipe Pro Dual DX, Pipe Worx 400 and all Axxess Feeders (4 roll kit)

Wire Diameter			Drive Rolls				Wire Guide		
Fraction	Decimal	Metric	Type	2 Roll Kit #	4 Roll Kit #	Individual Part #	Inlet #	Intermediate #	Antiwear #
.023-.025 in	.023-.025 in	0.6 mm	V-Grooved	151 030	151 024	087 130	150 993	149 518	045 233
.030 in	.030 in	0.8 mm	V-Grooved	—	151 025	053 695	150 993	149 518	045 233
.035 in	.035 in	0.9 mm	V-Grooved	151 032	151 026	053 700	150 993	149 518	045 233
.035 and 3/64 in	.035/.045 in	0.9/1.2 mm	V-Grooved	190 300 ¹	209 533 ¹	189 285 ¹	150 994	149 519	045 233
.040 in	.040 in	1.0 mm	V-Grooved	—	161 190	053 696	150 993	149 518	045 233
3/64 in	.045 in	1.2 mm	V-Grooved	151 033	151 027	053 697	150 994	149 519	045 233
.052 in	.052 in	1.3 mm	V-Grooved	151 034	151 028	053 698	150 994	149 519	045 233
1/16 in	.062 in	1.6 mm	V-Grooved	—	151 029	053 699	150 995	149 520	045 233
.035 in	.035 in	0.9 mm	U-Grooved	151 044	151 036	072 000	150 993	149 518	045 233
.035 and 3/64 in	.035/.045 in	1.9/1.2 mm	U-Grooved	—	244 293	232 826	221 912	242 417 (.035) 205 936 (3/64)	
3/64 in	.045 in	1.2 mm	U-Grooved	151 045	151 037	053 701	150 994	149 519	045 233
.047 in	.047 in	1.2 mm	U-Grooved	—	243 234	053 701	221 912	205 936	
.052 in	.052 in	1.3 mm	U-Grooved	—	—	053 702	150 994	149 519	045 233
1/16 in	.062 in	1.6 mm	U-Grooved	151 047	151 039	053 706	150 995	149 520	045 233
5/64 in	.079 in	2.0 mm	U-Grooved	—	—	053 704	150 995	149 520	045 233
3/32 in	.094 in	2.4 mm	U-Grooved	—	151 041	053 703	150 996	149 521	045 233
7/64 in	.110 in	2.8 mm	U-Grooved	—	—	053 705	150 996	149 521	045 233
1/8 in	.126 in	3.2 mm	U-Grooved	—	—	053 707	150 997	149 522	045 233
.035 in	.035 in	0.9 mm	V-Knurlled	151 061	151 052	132 958	150 993	149 518	045 233
3/64 in	.045 in	1.2 mm	V-Knurlled	151 062	151 053	132 957	150 994	149 519	045 233
.052 in	.052 in	1.3 mm	V-Knurlled	—	151 054	132 956	150 994	149 519	045 233
1/16 in	.062 in	1.6 mm	V-Knurlled	151 064	151 055	132 955	150 995	149 520	045 233
.068-.072 in	.068-.072 in	1.8 mm	V-Knurlled	151 065	151 056	132 959	150 995	149 520	045 233
5/64 in	.079 in	2.0 mm	V-Knurlled	151 066	151 057	132 960	150 995	149 520	045 233
3/32 in	.094 in	2.4 mm	V-Knurlled	151 067	151 058	132 961	150 996	149 521	045 233
7/64 in	.110 in	2.8 mm	V-Knurlled	—	151 059	132 962	150 996	149 521	045 233
1/8 in	.126 in	3.2 mm	V-Knurlled	—	151 060	132 963	150 997	149 522	045 233
3/64 in	.045 in	1.2 mm	U-Cogged	—	151 070	083 489	150 994	149 519	045 233
.052 in	.052 in	1.3 mm	U-Cogged	—	—	083 490	150 994	149 519	045 233
1/16 in	.062 in	1.6 mm	U-Cogged	—	151 072	053 708	150 995	149 520	045 233
5/64 in	.079 in	2.0 mm	U-Cogged	—	—	053 710	150 995	149 520	045 233
3/32 in	.094 in	2.4 mm	U-Cogged	—	—	053 709	150 996	149 521	045 233
7/64 in	.110 in	2.8 mm	U-Cogged	—	—	053 711	150 996	149 521	045 233
1/8 in	.126 in	3.2 mm	U-Cogged	—	—	053 712	150 997	149 522	045 233

¹Dual-size reversible V-groove drive roll (one .035 and one .045 in groove)

60 & 70 Series Nylon Wire Guides (For Feeding Aluminum Wire)

Wire Diameter	Inlet Guide #	Intermediate Guide #
.047 in (1.2 mm)	151 203	151 204
1/16 in (1.6 mm)	151 205	151 206
3/32 in (2.4 mm)	151 207	151 208

Note: Each drive roll kit contains 2 or 4 Drive Rolls, an Inlet Guide, an Intermediate Guide, and #045 233 Antiwear Guide with #604 612 Setscrew 8-32 x .125.

Note: U-Groove drive rolls are recommended when feeding aluminum wire.



Miller Drive Rolls

Machine	V-Groove	V-Groove	V-Groove	V-Groove	V-Knurl	V-Knurl	V-Knurl	Inlet Wire
	.023/.024 (0.6 mm)	.030 (0.8 mm)	.035 (0.9 mm)	.045 (1.2 mm)	.030 (0.8 mm)	.035 (0.9 mm)	.045 (1.2 mm)	Guide
SideKick™/SideKick™ XL	090 423	090 423	090 423	—	165 603	165 603	127 229	058 549
Cricket®/Cricket® XL	119 028	119 028	—	—	119 028	119 028	119 028	058 549
Millermatic® 35	—	059 590 (2)	059 590 (2)	—	—	—	—	058 549
Millermatic® 90/130/Challenger	119 028	119 028	—	—	119 028	119 028	—	058 549
Millermatic® 130 XP/150/185	090 423	090 423	090 423	—	165 603	165 603	127 229	058 549
Millermatic® Challenger™172	090 423	090 423	090 423	—	165 603	165 603	127 229	058 549
Millermatic® Passport™/ Passport™ Plus	202 925	202 925	202 925	—	202 926	202 926	202 926	058 549
Millermatic® 200/210/212/250/250x/251	087 131 (kit)	079 594 (kit)	079 595 (kit)	079 596 (kit)	—	079 606	079 607	Page 52
Millermatic® 200/210/212/250/250x/251		204 579	204 579	Optional Drive Rolls				
Millermatic® 252/ 300 without meters	087 131 (kit)	079 594 (kit)	079 595 (kit)	079 596 (kit)	—	079 606	079 607	Page 52
Millermatic® 252/ 300 without meters		204 579	204 579	Optional Drive Rolls				Page 52
Millermatic® DVI™/Pulser/Vintage/Reach	087 131 (kit)	079 594 (kit)	079 595 (kit)	079 596 (kit)	—	079 606	079 607	Page 52
Millermatic® DVI™/Pulser/Vintage/Reach		204 579	204 579	Optional Drive Rolls				Page 52
Millermatic® 300 with meters/350P	087 132 (kit)	046 780 (kit)	046 781(kit)	046 762 (kit)	—	046 792 (kit)	046 793 (kit)	Page 53
Millermatic® 141/190/standard drive	261 157	261 157	261 157	—	261 157	261 157	—	261 151
Millermatic® 141/190/optional drive	220 179	220 179	220 179	—	202 926	202 926	202 926	261 151
Multitmatic™ 200 standard drive rolls	220 179	220 179	220 179	—	202 926	202 926	202 926	058 549
Multitmatic™ 200 optional drive rolls	261 157	261 157	261 157	—	261 157	261 157	—	058 549

XR Controls Drive Rolls

Machine	U-Groove	U-Groove	U-Groove	U-Groove	U-Groove
XR/XR-S/XR-D	.030 in. (.76 mm)	.035 in. (.89 mm)	.040 in. (1.02 mm)	.47 in. (1.19 mm)	.062 in. (1.58 mm)
	194 118	194 118	196 301	194 119	195 591

Sub Arc Drive Rolls

Machine	Part #	Description	Wire sizes
RAD-400, RAD-400T, RAD-780	132 955	V-K Groove Drive Roll	1/16 in. (.062 in.-1.6 mm)
	132 960	V-K Groove Drive Roll	5/64 in. (0.79 in.-2.0 mm)
	132 961	V-K Groove Drive Roll	3/32 in. (.094 in.-2.4 mm)
	132 962	V-K Groove Drive Roll	7/64 in. (.110 in.-2.8 mm)
	132 963	V-K Groove Drive Roll	1/8 in. (.125 in.-3.2 mm)
	193 700	V-K Groove Drive Roll	5/32 in. (.156 in.-4.0 mm)
	193 701	V-K Groove Drive Roll	3/16 in. (.188 in.-4.8 mm)

Miller Spoolgun Drive Rolls

	V-Knurl	V-Knurl	V-Knurl	U-Knurl	Inlet Wire
Spoolguns	.030 in. (0.8 mm)	.035 in. (0.9 mm)	.045 in. (1.2 mm)	.062 in. (1.6 mm)	Guide
Spoolmate™ 100/185/3035	186 414	186 414	—	—	186 410
Spoolmate™ 100/185/3035	183 413	183 413	—	—	186 410
Spoolmate™ 200/3545	186 414	186 414	199 397	—	186 410
Spoolmate™ 200/3545	183 413	183 413	199 396	—	186 410
Spoolmate® 15A/20A	136 135	136 135	136 135	136 135	132 521
Spoolmate® 15A/20A	183 357	183 357	183 358	183 358	132 521
Spoolmate® 1, 2, 3	053 131	053 131	053 131	053 131	058 949
XR™ -15/XR™ -30	053 131	053 131	053 131	053 131	on conduit
XR™ -A /XR™ -W Pistol	136 135	136 135	136 135	136 135	on conduit
XR™ -A /XR™ -W Pistol	183 357	183 357	183 358	183 358	on conduit
XR™ -Edge	194 114	154 115	194 116	194 117	on conduit
XR™ Aluma-Pro™	227 434	227 434	227 434	227 434	227 408
XR™ Aluma-Pro™ Lite	227 434	227 434	227 434	227 434	227 408
XR™ Aluma-Pro™ Plus	227 434	227 434	227 434	227 434	227 408

Hobart Drive Rolls

Machine	Hard Wire (Steel)			Soft Wire (Aluminum)	HT Wire (Hard Tubular)			Inlet Wire Guide
	V-Groove .024 (0.6 mm)	V-Groove .030–.035 (0.8–0.9 mm)	V-Groove .045 (1.2 mm)	Urethane .035 (0.9 mm)	V-Knurl .030–.035 & .045 (0.8–0.9 & 1.2 mm)	Rev. Knurl .030 & .035 (0.8 & 0.9 mm)	Rev. Knurl .039–.045 (0.8–1.2 mm)	
Handler® 120/130XL/ 135/140/150/170/175/ 180/187/190/210	202 925 or 407230-004	202 925 246 565*	407230-004	—	202 926	193 330	193 331	—
IronMan™ 210/250	—	202 925	407230-004	—	202 926	193 330	193 331	—
IronMan™ 275 IronMan™ 230	Standard drive roll is part number 235286 v-grooved wire size is .030 - .035 other sizes available on page 46 under 52 series feeders.							
Handler® 125, 125EZ	#212 379 — 2-sided combination roll (.024 V-groove) (.030/.035 VK-groove)						212 368 242 524 (wire size .023-.045)	

Note: For all Beta-MIG drive rolls, contact Miller Service Parts

*Part number available on ALL Handler models with serial number MDXXXXXX and after

‡Available for Handler 120 and IronMan 210

Special Optional Drive Rolls

For 22/32/52/54/60/70 Series Feeders

Part #	Description
#203 526	Dual V-Groove (one .030 and one .035 in groove)
#189 285	Dual V-Groove (one .035 and one .045 in groove)
#190 300	Dual V-Groove (2 drive rolls each with one .035 and one .045 in groove plus inlet guide)
#209 533	Dual V-Groove 4 Roll Kit (4 drive rolls each with one .035 and one .045 in groove plus guides and setscrew)
#198 078	No-Groove, Universal Quick-Change (Steel)
#088 402	No-Groove, Non-Quick-Change (Hard Urethane—Green)
#0537160010890	No-Groove (Soft Urethane—Blue)



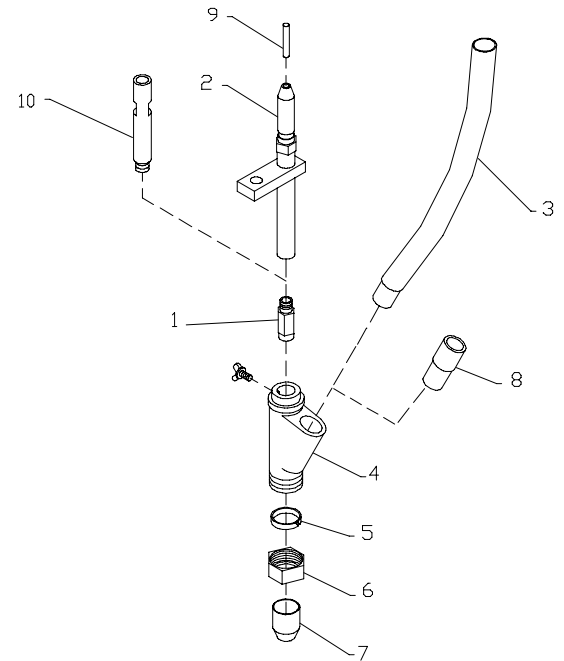
OBT-600

Consumables

Item #	Part #	Description
	043 923	600 Amp Torch for 3/32–3/16 in. (1.6–4.8 mm) wires
1	192 700 ²	Tip, contact 1/16 in. (1.6 mm)
1	192 701 ²	Tip, contact 5/64 in. (2.0 mm)
1	192 702 ²	Tip, contact 3/32 in. (2.4 mm)
1	192 703 ²	Tip, contact 7/64 in. (2.8 mm)
1	192 704 ²	Tip, contact 1/8 in. (3.2 mm)
1	192 705 ²	Tip, contact 5/32 in. (4.0 mm)
1	192 706 ²	Tip, contact 3/16 in. (4.8 mm)
2	192 692	Torch body
3	192 694	Hose, flux with insulator
4	192 693	Cone assembly, body
5	192 695	Ferrule, locking
6	192 697	Nut, retaining
7	192 696	Cone, flux
8	200 566	Adapter, hose
9	193 146 ¹	Liner, wire 1/16 – 1/8 x 8.125
9	193 145 ¹	Liner, wire 5/32 x 8.125
10	043 967 ²	Extension, torch body OBT–1 inch
10	043 969 ²	Extension, torch body OBT–2 inch
10	043 973 ²	Extension, torch body OBT–4 inch
10	043 975 ²	Extension, torch body OBT–6 inch

¹Recommended spare part.

²Optional.



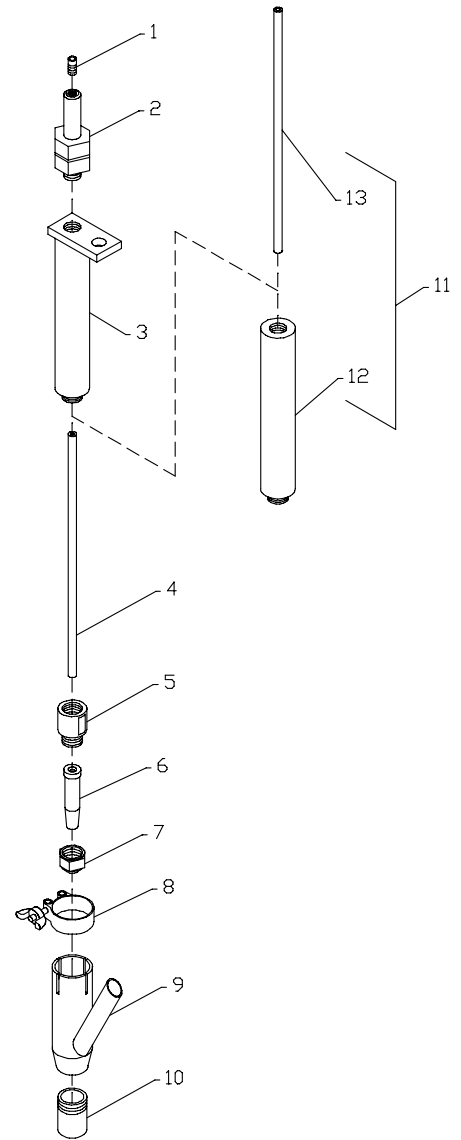
SUBMERGED ARC

OBT-1200

Consumables

Item #	Part #	Description
	043 900	1200 Amp Subarc Torch 1/16-3/16 in. (1.6-4.8 mm) wire
1	199 945	Guide, wire inlet 5/32-1/4
1	199 946	Guide, wire inlet 1/16-1/8
2	192 132	Inlet guide adapter, with breakaway feature
3	192 131	Torch body assembly
4	192 139	Liner, wire 1/16-1/8 in
4	192 687	Liner, wire 5/32-3/16 in
4	200 754	Liner, wire 7/32 in
5	192 133	Extender, tip
6	192 141 ¹	Tip, contact 1/16 in. (1.6 mm)
6	199 026 ¹	Tip, contact 5/64 in. (2.0 mm)
6	192 142 ¹	Tip, contact 3/32 in. (2.4 mm)
6	200 771 ¹	Tip, contact 7/64 in. (2.8 mm)
6	192 143 ¹	Tip, contact 1/8 in. (3.2 mm)
6	192 144 ¹	Tip, contact 5/32 in. (4.0 mm)
6	192 136 ¹	Tip, contact 3/16 in. (4.8 mm)
7	192 135	Nut, tip
8	192 758	Clamp, securing
9	192 137	Nozzle assembly, flux
10	192 138	Nozzle, flux replaceable
11	043 981 ¹	Torch body extension 8.5 in. (includes)
12	192 892	Torch body extension
13	200 749	Liner, wire 1/16-1/8 x 36 in.
13	200 750	Liner, wire 5/32-3/16 x 36 in.
13	200 751	Liner, wire 7/32 x 36 in.

¹Optional.





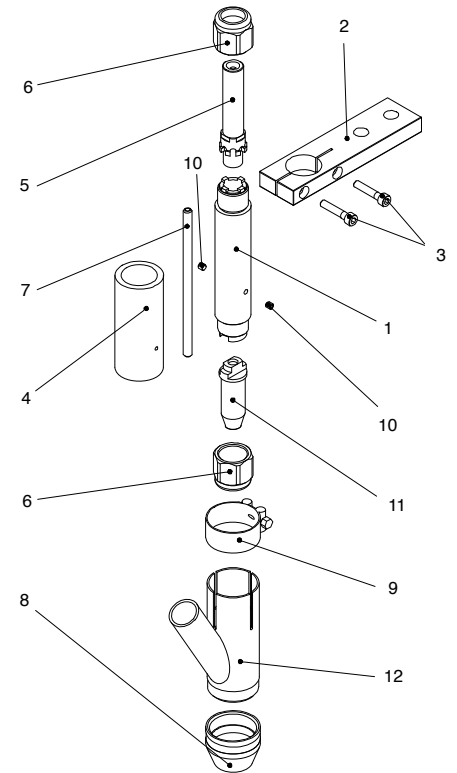
1200 Amp Single-Wire Torch

Consumables

Item #	Part #	Description
	301 141	Short, 11.3 in. (288 mm) 1200 Amp torch for 1/16–5/32in. (1.6–4.0mm) wire
1	266 660	Torch body
2	266 662	Power source connector
3	266 665	Screw, HSHC, M6x30
4	266 663	Torch body insulator
5	266 666	Wire feeder connector
6	264 580 ¹	Nut
7	264 581 ¹	Wire liner, 286 mm
8	264 586 ¹	Flux nozzle, D.26
9	266 667	Clamp, D.40
10	266 668	Nut, M5 X 5
11	264 590 ²	Tip, contact single wire 1/16 in. (1.6 mm) CuCrZr
11	264 591 ²	Tip, contact single wire 5/64 in. (2.0 mm) CuCrZr
11	264 587 ¹	Tip, contact single wire 3/32 in. (2.4 mm) CuCrZr
11	264 593 ²	Tip, contact single wire 1/8 in. (3.2 mm) CuCrZr
11	264 594 ²	Tip, contact single wire 5/32 in. (4.0 mm) CuCrZr
12	264 589 ¹	Flux conveyer

¹Recommended spare part.

²Optional.



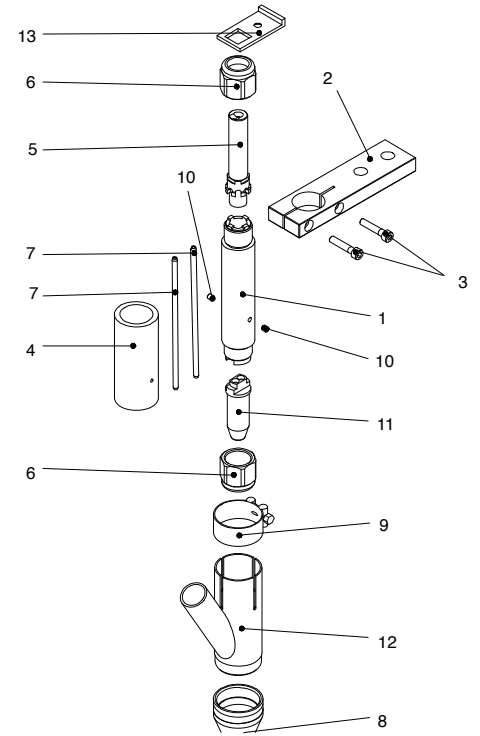
SUBMERGED ARC

1200 Amp Twin-Wire Torch

Item #	Part #	Description
	301 143	Short, 11.3 in. (288 mm) 1200 Amp torch for 3/64–3/32 in. (1.2–2.4 mm) wire
1	266 660	Torch Body
2	266 662	Power Source Connector
3	266 665	Screw, HSHC, M6 X 30
4	266 663	Torch Body Insulator
5	266 669	Wire Feeder Connector
6	264 580 ¹	Nut
7	264 584 ¹	Wire Liner, D. 5 X 3 146 mm
8	264 586 ¹	Flux Nozzle, D.26
9	266 667	Clamp, D.40
10	266 668 ¹	Nut, M5 X 5
11	264 595 ²	Tip, Contact Twin Wire 3/64 in. (1.2 mm) CuCrZr
11	264 596 ²	Tip, Contact Twin Wire 1/16 in. (1.6 mm) CuCrZr
11	264 597 ²	Tip, Contact Twin Wire 5/64 in. (2.0 mm) CuCrZr
11	264 588 ¹	Tip, Contact Twin Wire 3/32 in. (2.4 mm)CuCrZr
12	264 589 ¹	Flux Conveyor
13	266 670	Alignment Plate

¹Recommended spare part.

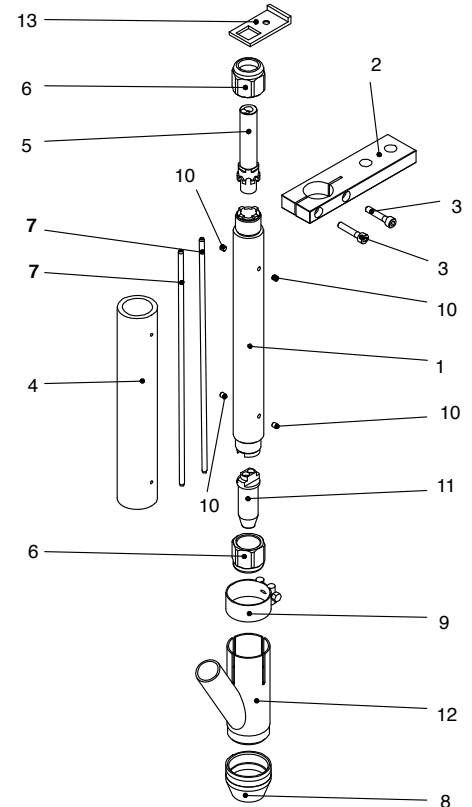
²Optional.



Item #	Part #	Description
	301 444	Long, 16.8 in. (427 mm) 1200 Amp torch for 3/64–3/32 in. (1.2–2.4 mm) wire
1	266 661	Torch Body
2	266 662	Power Source Connector
3	266 665	Screw, HSHC, M6 X 30
4	266 664	Torch Body Insulator
5	266 669	Wire Feeder Connector
6	264 580 ¹	Nut
7	264 585 ¹	Wire Liner, D. 5 X 3 287 mm
8	264 586 ¹	Flux Nozzle, D.26
9	266 667	Clamp, D.40
10	266 668	Nut, M5 X 5
11	264 595 ²	Tip, Contact Twin Wire 3/64 in. (1.2 mm) CuCrZr
11	264 596 ²	Tip, Contact Twin Wire 1/16 in. (1.6 mm) CuCrZr
11	264 597 ²	Tip, Contact Twin Wire 5/64 in. (2.0 mm) CuCrZr
11	264 588 ¹	Tip, Contact Twin Wire 3/32 in. (2.4 mm)CuCrZr
12	264 589 ¹	Flux Conveyor
13	266 670	Alignment Plate

¹Recommended spare part.

²Optional.





Spectrum® Plasma Torch History

Model	Machine Stock #	Original Torch	Recommended Replacement
Spectrum® 125C	907149, 907169	ICE-12C, pg 60	ICE-12C, 20 ft (6.1 m) Hand-Held #195172, pg 60
Spectrum® 300	903479, 903787	ICE-25C, pg 60	ICE-25CX, 20 ft (6.1 m) Hand-Held #195007, pg 60
Spectrum® 375	903891, 903871 CE	ICE-27C, pg 60	XT-30C, 20 ft (6.1 m) Hand-Held #255685, pg 57
	907 532	XT-30C, pg 57	XT-30C, 20 ft (6.1 m) Hand-Held #255685, pg 57
Spectrum® 375 X-TREME™	907339, 907303	ICE-27T, pg 60	XT-30, 12 ft (3.7 m) Hand-Held #249949, pg 57
	907529	XT-30, pg 57	XT-30, 12 ft (3.7 m) Hand-Held #249949, pg 57
Spectrum® 500	903143, 903144,	APT-5000	ICE-50, 30 ft (9 m) Hand-held #169199 ¹ , pg 64
	903145, 903146,		ICE-50, 50 ft (15.2 m) Hand-Held #169244 ¹ , pg 64 (N/A)
	903187, 903201		
Spectrum® 625	907058, 907058011	ICE-40C, pg 61	ICE-40C, 25 ft (7.6 m) Hand-Held #195110, pg 61 ICE-40C, 50 ft (15.2 m) Hand-Held #195111, pg 61
Spectrum® 625 X-TREME	907404, 907404011	ICE-40T, pg 61	XT-40, 12 ft (3.7 m) Hand-Held #249951, pg 58
	9074041012		XT-40, 20 ft (6.1 m) Hand-Held #249952, pg 58
	907531, 907531001	XT-40, pg 58	XT-40, 12 ft (3.7 m) Hand-Held #249951, pg 58 XT-40, 20 ft (6.1 m) Hand-Held #249952, pg 58
Spectrum® 625 X-TREME	907579, 907579001	XT-40 w/Connect	XT-40, 12 ft (3.7 m) Hand-Held W/ Disconnect #260633, pg 58
	907579002,		XT-40, 20 ft (6.1 m) Hand-Held W/ Disconnect #260635, pg 58
	907579003		XT-40M Machine Long Body 25 ft (7.6 m) # 259365, pg 58
			XT-40M Machine Torch Short Body 25 ft (7.6 m) # 257462, pg 58
Spectrum® 650	903788, 903790	ICE-50C, pg 62	ICE-50C, 25 ft (7.6 m) Hand-Held #176824, pg 62
			ICE-50C, 50 ft (15.2 m) Hand-Held #176826, pg 62
			ICE-50CM, 50 ft (15.2 m) Machine-Held #176828, pg 62
			Note: ICE-55C Not Recommended
Spectrum® 700	903444, 903445 903446, 903447	ICE-50, pg 64	ICE-50, 30 ft (9 m) Hand-Held #169199, pg 64
			ICE-50, 50 ft (15.2 m) Hand-Held #169244, pg 64 (N/A)
			ICE-70 with 50 Amp Tip, 30 ft (9 m) Hand-Held #169203, pg 64
			ICE-70 with 50 Amp Tip, 50 ft (15.2 m) Hand-Held #169245, pg 64
Spectrum® 701	903791, 903780, 903792	ICE-50C, pg 62	ICE-50C, 25 ft (7.6 m) Hand-Held #176824, pg 62
			ICE-50C, 50 ft (15.2 m) Hand-Held #176826, pg 62
			ICE-50CM, 50 ft (15.2 m) Machine-Held #176828, pg 62
			Note: ICE-55C Not Recommended.
Spectrum® 750	903193, 903194, 903195	APT-7000	ICE-70, 30 ft (9 m) Hand-Held #169203 ² , pg 64
			ICE-70, 50 ft (15.2 m) Hand-Held #169245 ² , pg 64
			ICE-100 with 70 Amp Tip, 30 ft (9 m) Hand-Held #169207 ² , pg 64
Spectrum® 875	907390011 907390012	ICE-60T, pg 65	ICE-60T, 20 ft (7.6 m) Hand-Held #234132, pg 65
			ICE-60T, 50 ft (15.2 m) Hand-Held #234134, pg 65
			XT-60, 20 ft Hand-Held Torch #249953, pg 59
			XT-60, 50 ft Hand-Held Torch # 249954, pg 59
			XT-60M, 25 ft Machine Torch # 249955, pg 59
Spectrum® 875	907583 907583001 907583002 907583003	XT-60 pg 59	XT60 20 ft (7.6 m) Hand-Held #249953, pg 59
			XT60 50 ft (15.2 m) Hand-Held #249954, pg 59
			XT60M 25 ft (7.6 m) Machine Torch Long Body #249955, pg 59
			XT60M 50 ft (15.2 m) Machine Torch Long Body #249956, pg 59
Spectrum® 875 Auto-Line	907396 907396001		ICE-60TM, 25 ft (7.6 m) Machine-Held #234136, pg 65
			ICE-60TM, 50 ft (15.2 m) Machine-Held #234138, pg 65
			ICE-60TM, 25 ft (7.6 m) Machine-Held Torch with Pendant #300759, pg 65
			Kit, ICE-60TM, Machine Torch 50 ft #300760
Spectrum® 875 Auto-Line	907584 907584001 907584002 907584003 907584004 907584005		XT60M 25 ft (7.6 m) Machine Torch Short Body #257464, pg 59
			XT60M 50 ft (15.2 m) Machine Torch Short Body #263952, pg 59

More Torch models continued on next page

¹Requires Retrofit Kit #172 155 ²Requires Retrofit Kit #172 156 (N/A) ³Requires Remote Pendant Control #180 605

⁴Requires Remote Pendant Control #195 513 ⁵Requires Retrofit Kit #172 157

Please order replacement torches through Miller Service Parts. Telephone: 1-866-931-9730 Fax: 1-800-637-2315

Spectrum® Plasma Torch History Continued

Spectrum® 1000	903 448, 903 449	ICE-70, pg 64	ICE-70, 30 ft (9 m) Hand-Held #169203, pg 64 ICE-70, 50 ft (15.2 m) Hand-Held #169245, pg 64 ICE-100 with 70 Amp Tip, 30 ft (9 m) Hand-Held #169207, pg 64 ICE-100 with 70 Amp Tip, 50 ft (15.2 m) Hand-Held #169246, pg 64
	907 162	ICE-80T, pg 68	ICE-80T, 25 ft (7.6 m) Hand-Held #195223, pg 68 ICE-80T, 50 ft (15.2 m) Hand-Held #195225, pg 68 ICE-80TM, 25 ft (7.6 m) Machine-Held #195221, pg 69, No Pendant ⁴ ICE-80TM, 50 ft (15.2 m) Machine-Held #223535, pg 69, No Pendant ⁴
Spectrum® 1250	903 450, 903 451, 903 452	ICE-100, pg 66	ICE-100, 30 ft (9 m) Hand-Held #169207, pg 64 ICE-100, 50 ft (15.2 m) Hand-Held #169246, pg 64 ICE-100M, 50 ft (15.2 m) Machine-Held #169247, (N/A)
Spectrum® 1251	907 305	ICE-100T, pg 70	ICE-100T, 25 ft (7.6 m) Hand-Held #225702, pg 70 ICE-100T, 50 ft (15.2 m) Hand-Held #225704, pg 70 ICE-100TM, 25 ft (7.6 m) Machine-Held #225706 ⁴ , pg 70 ICE-100TM w/Pendant, 25 ft (7.6 m) Machine-Held #226057 ⁴ , pg 70 ICE-100TM, 50 ft (15.2 m) Machine-Held #225708 ⁴ , pg 70 ICE-100TM, 50 ft (15.2 m) Machine-Held #226058 ⁴ , pg 70
Spectrum® 1500	903 147, 903 148, 903 186, 903 149	APT-8000	ICE-70, 30 ft (9 m) Hand-Held #169203 ⁵ , pg 64 ICE-70, 50 ft (15.2 m) Hand-Held #169245 ⁵ , pg 64 ICE-100 with 70 Amp Tip, 30 ft (9 m) Hand-Held #169207 ⁵ , pg 64
Spectrum® 1500D	907 305	APT-8000	ICE-70, 30 ft (9 m) Hand-Held #169203, pg 64 ICE-70, 50 ft (15.2 m) Hand-Held #169245, pg 64 ICE-100 with 70 Amp Tip, 30 ft (9 m) Hand-Held #169207, pg 64
Spectrum® 2050	903 789	ICE-50C, pg 62	ICE-50C, 25 ft (7.6 m) Hand-Held #176824, pg 62 ICE-50C, 50 ft (15.2 m) Hand-Held #176826, pg 62
Spectrum® 2050	903 777	ICE-55C, pg 63	ICE-55C, 25 ft (7.6 m) Hand-Held #193347, pg 63 ICE-55C, 50 ft (15.2 m) Hand-Held #193348, pg 63 ICE-55CM, 50 ft (15.2 m) Machine-Held #193349, pg 63, No Pendant
Spectrum® 2255	903 755		ICE-80CX, 25 ft (7.6 m) Hand-Held #216300, pg 68
Spectrum® 3080	903 793, 903 795	ICE-80C, pg 67	ICE-80CX, 25 ft (7.6 m) Hand-Held #216300, pg 68 ICE-80CX, 50 ft (15.2 m) Hand-Held #218044, pg 68 ICE-80CXM, 50 ft (15.2 m) Machine-Held #219944, pg 69
Spectrum®LYNX	903 552	ICE-50C, pg 62	ICE-50C, 25 ft (7.6 m) Hand-Held #176824, pg 62 ICE-50C, 50 ft (15.2 m) Hand-Held #176826, pg 62 Note: ICE-55C Not Recommended
Spectrum® Thunder	903 741, 903 742	ICE-12C, pg 60	ICE-12C, 20 ft (6.1 m) Hand-Held (kit) # 216407, pg 60
Spectrum® PLUS	903 454, 903 460, 903 781	MC-80	MC-80, 25 ft (7.6 m) Hand-Held #171847 (N/A) No Replacement Torch available
Spectrum® 1250MG	903 498, 903 499, 903 502	ICE-102	No Replacement Torch available No Replacement Torch available
Spectrum® 187	903 142, 903 177	APT-1000	No Replacement Torch available
Spectrum® 187D	903 139	APT-1000	No Replacement Torch available
Spectrum® 250D	903 140	APT-3000	No Replacement Torch available

Leather Torch Cable Covers	239 642
Description	Part #
20 ft Cable Cover	239 642
25 ft Cable Cover	231 867
50 ft Cable Cover	231 868

¹Requires Retrofit Kit #172 155 ²Requires Retrofit Kit #172 156 (N/A) ³Requires Remote Pendant Control #180 605

⁴Requires Remote Pendant Control #195 513 ⁵Requires Retrofit Kit #172 157 (N/A).

Please order replacement torches through Miller Service Parts. Telephone: 1-866-931-9730 Fax: 1-800-637-2315



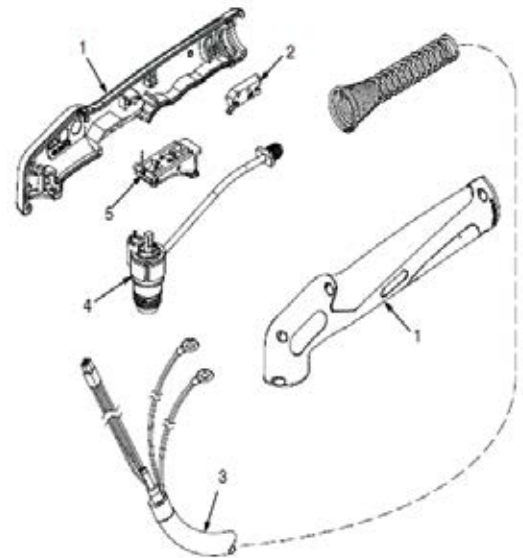
AirForce™ and Cybercut (Hobart) Plasma Torch History

Model	Machine Stock #	Original Torch	Recommended Replacement
AirForce™ 250	500 436	ICE-12C, pg 60	ICE-12C, 20 ft (6.1 m) Hand-Held #216 407, pg 60
AirForce™ 250A	500 437	ICE-12C, pg 60	ICE-12C, 20 ft (6.1 m) Hand-Held #216 407, pg 60
AirForce™ 250CI	500 534	HP-25, pg 72	HP-25, 16 ft (5 m) Hand-Held #232 647, pg 72
AirForce™ 375	500 453	ICE-25C, pg 67	ICE-25CX, 20 ft (6.1 m) Hand-Held #195 007, pg 60
AirForce™ 400	500 474	ICE-27C, pg 60	XT-30C, 20 ft (6.1m) Hand-Held #255 685, pg 57
AirForce™ 500i	500 548	HP-50, pg 72	HP-50, 16 ft (5 m) Hand-Held #244 121, pg 72
AirForce™ 625	500 493, 500 494	ICE-40C, pg 61	ICE-40C, 25 ft (7.6 m) Hand-Held #195 110, pg 61 ICE-40C, 50 ft (15.2 m) Hand-Held #195 111, pg 61
AirForce™ 700i	500 546	HP-70, pg 72	HP-70, 16 ft (5 m) Hand-Held #244 122, pg 72
AirForce™ 750	500 455	ICE-50C, pg 62	ICE-50C, 25 ft (7.6 m) Hand-Held #176 824, pg 62
Cybercut 1025	903 665	ICE-25C, pg 60	ICE-25CX, 20 ft (6.1 m) Hand-Held #195 007, pg 60
Cybercut 2050	903 667, 903 678, 903 666	ICE-55C, pg 63	ICE-55C, 25 ft (7.6 m) Hand-Held #193 347, pg 63 ICE-55C, 50 ft (15.2 m) Hand-Held #193 348, pg 63 ICE-55CM, 50 ft (15.2 m) Machine-Held #193 349, pg 63

Please order replacement torches through Miller Service Parts. Telephone: 1-866-931-9730 Fax: 1-800-637-2315

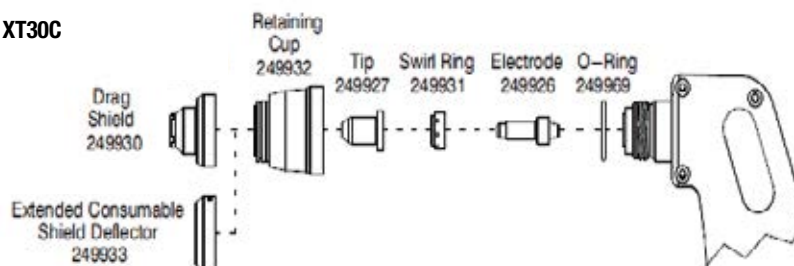
XT30 & XT30C Service Parts/Consumables

Item #	Part #	Description	Quantity
	249 949	XT30 Torch, Replacement 12 ft	1
	255 685	XT30C Torch Replacement 20 ft	1
1	259 870	Torch Handle Kit	1
2	249 971	Torch Trigger	1
3	249 957	Leads 12 ft (XT-30)	1
3	255 686	Leads 20 ft (XT-30C)	1
4	252 938	Torch Body w/Cup Switch	1
5	249 972	Torch Trigger Assembly w/Spring	1
6	252 951	Grease, Silicone	1
		Consumables	
	249 930	Drag Shield	
	249 933	Shield Deflector	
	249 932	Retaining Cup	
	249 927	Tip	
	249 931	Swirl Ring	
	249 926	Electrode	
	249 969	O-Ring	
	253 054	Stand-Off Guide	
	253 055	Circle Cutting Guide	
	253 520	Consumables Kit XT30	



XT30 & XT30C Torch

Consumables for XT30 & XT30C



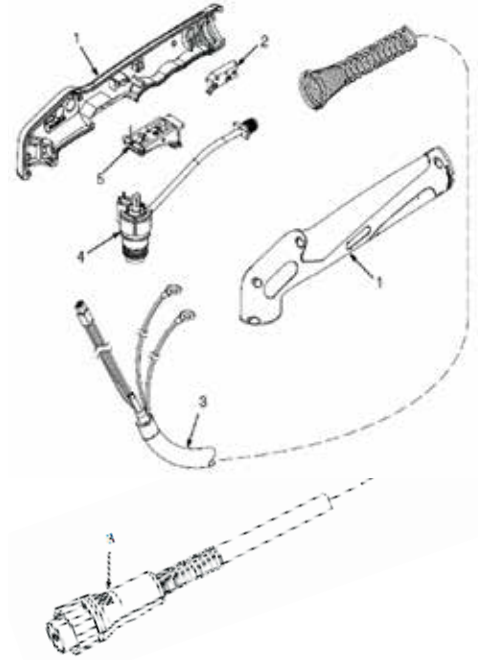
PLASMA CUTTING

XT40

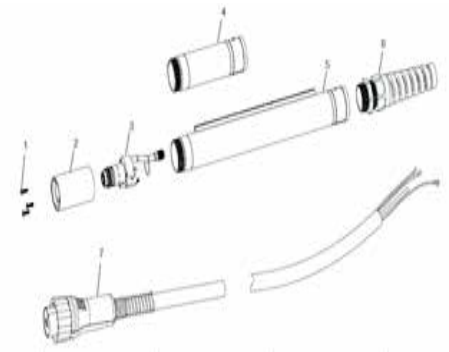
Service Parts/Consumables

Item #	Part #	Description	Quantity
	249 951	XT40 Torch Replacement 12 ft	
	249 952	XT40 Torch Replacement 20 ft	
	260 633	XT40 Torch Replacement 12 ft W/ Disconnect	
	260 635	XT40 Torch Replacement 20 ft W/ Disconnect	
1	259 870	Torch Handle Kit	1
2	249 971	Torch Trigger	1
3	249 959	XT40 Lead 12 ft	1
3	249 960	XT40 Lead 20 ft	1
3	260 637	XT40 Lead 12 ft W/ Disconnect	1
3	260 638	XT40 Lead 20 ft W/ Disconnect	1
4	252 938	Torch Body Kit	1
5	249 972	Torch Trigger Assembly W/ Spring	1
	259 305	XT40M Machine Torch Long Body	
	257 462	XT40M Machine Torch Short Body	
1	259 363	Mounting Screw	3
2	259 361	Mounting Sleeve	1
3	259 333	Kit, Torch Body W/Switch	1
4	263 389	Positioning Sleeve Short Body	1
5	259 357	Positioning Sleeve Long Body	1
6	259 359	Stain Relief	1
7	259 330	Torch Replacement Leaks 25 ft	1
	253 521	Consumables Kit XT40	

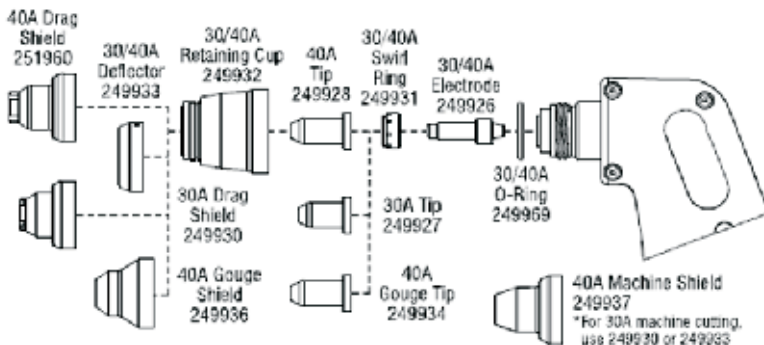
XT40 & XT40 with Disconnect



XT40TM Torch Long & Short



Consumables for XT40

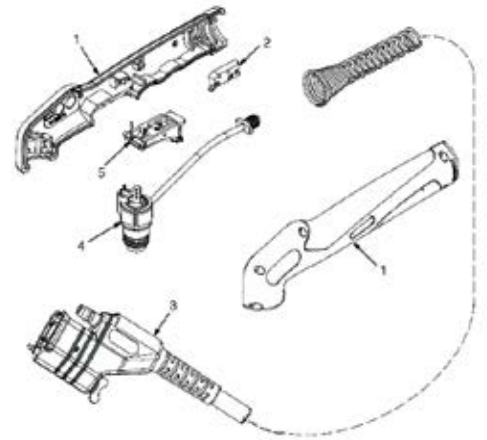


263 310
Shield Sense

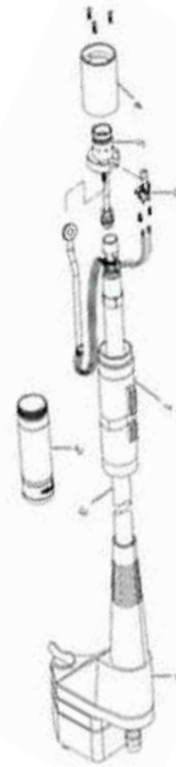


XT60 & XT60M Service Parts/Consumables

Item #	Part #	Description	Quantity
	249 953	XT60, 20 ft Replacement Torch	
	249 954	XT60, 50 ft Replacement Torch	
1	263 950	Torch Handle Kit	1
2	249 971	Torch Trigger	1
3	249 961	XT60, Lead 20 ft	1
3	249 962	XT60, Lead 50 ft	1
4	256 039	Torch Body Kit	1
5	249 972	Torch Trigger Assembly W/Spring	1
		XT60M Torches	
	249 955	XT60M, 25 ft Long Body Machine Torch	
	249 956	XT60M, 50 ft Long Body Machine Torch	
	257 464	XT60M, 25 ft Short Body Machine Torch	
	263 952	XT60M, 50 ft Short Body Machine Torch	
1	259 357	Long Body Positioning Sleeve	1
2	263 389	Short Body Positioning Sleeve	1
3	249 963	XT60M Lead, W/QD 25 ft	1
3	249 964	XT60M Lead, W/QD 50 ft	1
4	259 361	Torch Sleeve	1
5	256 040	Main Body W/Switch	1
6	259 334	Cup Detect Switch	1
7	243 754	Kit, XT60M QD W/Wing Head Fastener	1



XT60 Torch

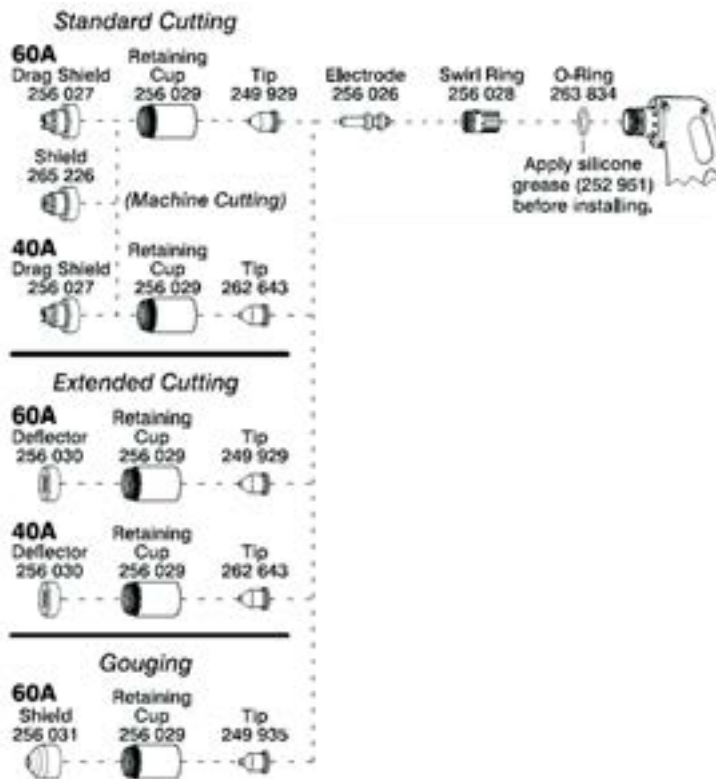


XT60M Torch



263 310
Shield Sense

Consumables for XT60 & XT60M



PLASMA CUTTING

ICE-12C

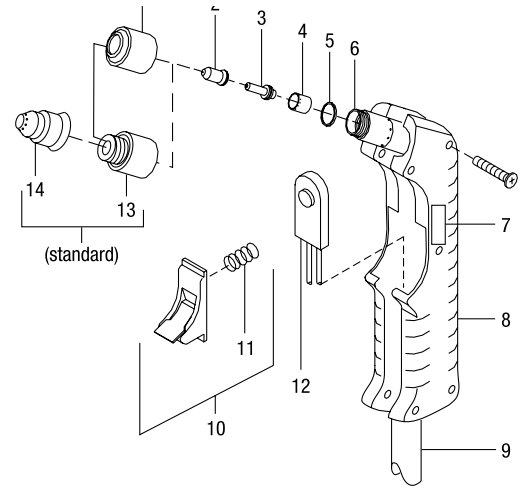
Service Parts/Consumables

Item #	Part #	Description	Quantity
	216 407	Torch (kit) (ICE-12C)	1
	195 172	Torch (ICE-12C)	1
1	196 928	Cup, shield (optional)	1
2	196 926	Tip, 12 A	1 (5 per pkg)
3	196 925	Electrode, 12 A	1 (5 per pkg)
4	196 927	Swirl Ring, 12 A	1
5	196 935	O-Ring, ICE-12C main body	1 (3 per pkg)
6	196 932	Main Body	1
7	196 930	Label, ICE-12C	2
8	183 427	Handle Assy, complete	1
9	196 931¹	Leads, 20 ft	1
10	185 833	Switch Assembly (includes)	1
11	190 220	Spring	1
12	171 248	Push Button Switch	1
13	197 567	Cup, retaining	1
14	196 929	Shield, drag	1
	252 951	Grease, silicon	1
	222 938²	Consumable Kit (ICE-12C)	1
	253 054	Stand-off Guide	1
	253 055	Circle Cutting Guide	1

¹If used with Spectrum Thunder, #216 277 fitting required.

²ICE-12C Consumable Kit includes (1) drag shield #196 929 (1) plastic case #127 493, (1) shield cup #197 567, (4) tips #196 926, (4) electrodes #196 925, (1) o-ring #196 935, and (1) silicone grease #252 951.

For a listing of original torch applications and replacements: see pages 55–57

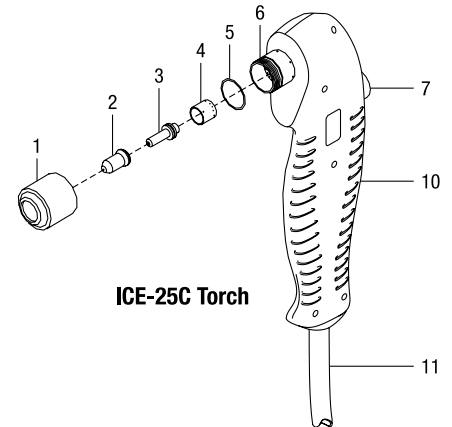


ICE-12C Torch

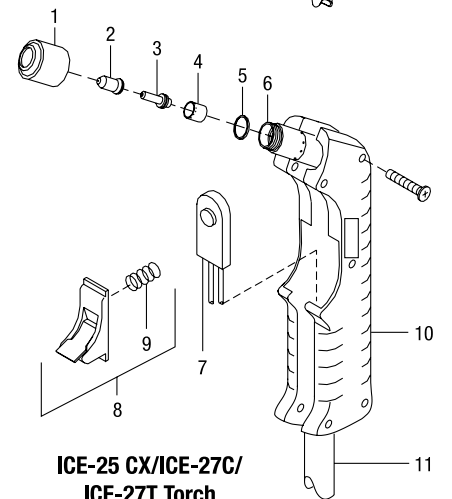
ICE-25C & 25CX/27C/27T

Item #	Part # ICE-25C	Part # ICE-25 CX/27C/27T	Description	Quantity
	—	195 007	Torch (ICE-25CX)	
	—	195 014	Torch (ICE-27C)	
	—	225 615	Torch (ICE-27T)	
1	202 808	202 808	Cup, shield	1
2	176 656	176 656	Tip, 25/27 A	1 (5 per pkg)
3	176 655	176 655	Electrode, 25/27 A	1 (5 per pkg)
4	202 809	202 809	Swirl Ring, 25/27 A	1
5	169 232	169 232	O-Ring (main body)	1 (3 per pkg)
6	178 550	—	Main Body	1
	—	203 119	Main Body (ICE-27C/27T only)	1
7	171 248	171 248	Push Button Switch	1
8	—	185 833	Switch Assembly (includes)	1
9	—	190 220	Spring	1
10	183 428	183 427	Handle Assy, complete	1
11	—	228 405	Leads, 12 ft (ICE-27T)	1
	177 893	—	Leads, 15 ft	1
	177 894	—	Leads, 25 ft	1
	—	205 881 (N/A)	Leads, 20 ft (ICE-25 CX)	1
	—	203 120	Leads, 20 ft (ICE-27C)	1
	225 671	225 671	Tip, drag shield	1 (5 per pkg)
	225 672	225 672	Retaining Cup, drag shield	1
	225 616	225 616	Drag Shield	1
	252 951	252 951	Grease, silicon	1
	—	222 939³	Consumable Kit (ICE-27C/27T)	1
	253 054	253 054	Stand-off Guide	1
	253 055	253 055	Circle Cutting Guide	1

³ICE-27C Consumable Kit includes (1) plastic case #127 493, (1) shield cups #202 808, (5) tips #176 656, (5) electrodes #176 655, (1) swirl ring #202 809, (1) o-ring #169 232, and (1) silicone grease #252 951.



ICE-25C Torch



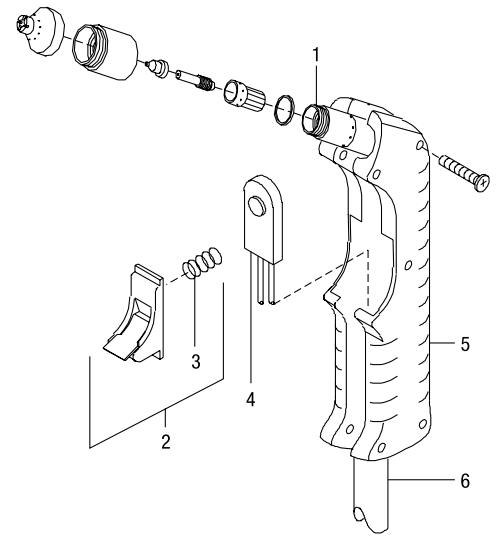
ICE-25 CX/ICE-27C/
ICE-27T Torch



ICE-40C/T Service Parts/Consumables

Item #	Part # ICE-40C	Part # ICE-40T	Description	Quantity
	195 110	—	Torch, 25 ft (ICE-40C)	1
	195 111	—	Torch, 50 ft (ICE-40C)	1
	—	237 502	Torch, 12 ft (ICE-40T)	1
	—	237 504	Torch, 20 ft (ICE-40T)	1
1	192 059	192 059	Main Body	1
2	185 833	185 833	Switch Assembly (includes)	1
3	190 220	190 220	Spring	1
4	171 248	171 248	Push Button Switch	1
5	183 427	183 427	Handle Assembly, complete	1
6	209 298	238 558	Leads, 25 ft/ Leads, 12ft	1
	209 299	238 559 (N/A)	Leads, 50 ft	1
	252 951	252 951	Grease, silicon	1
			Consumables	
7	204 323	204 323	Shield, drag	1
8	192 050	192 050	Cup, retaining	1
9	204 325	204 325	Tip, standard (40 A)	1 (5 per pkg)
10	192 047	192 047	Electrode, standard	1 (5 per pkg)
11	192 049	192 049	Swirl Ring	1
12	169 232	169 232	O-Ring	1 (3 per pkg)
13	177 888	177 888	Deflector	1
14	192 052	192 052	Tip, extended (40 A)	1 (5 per pkg)
15	192 048	192 048	Electrode, extended	1 (5 per pkg)
16	192 203	192 203	Shield, gouge	1
17	204 332	204 332	Tip, gouge	1 (5 per pkg)
	222 940 ¹	222 940 ¹	Consumable Kit (ICE-40C)	1
	253 054	253 054	Stand-off Guide	1
	253 055	253 055	Circle Cutting Guide	1

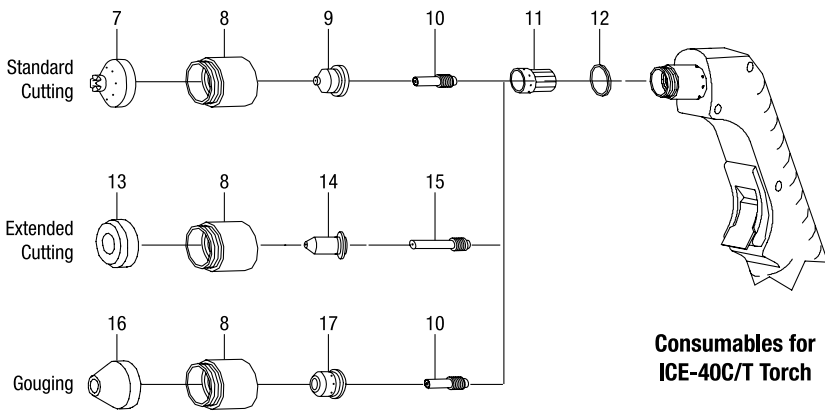
¹ICE-40C/T Consumable Kit includes (1) plastic case #127 493, (3) tips #204 325, (3) electrodes #192 047, (1) extended tip #192 052, (1) extended electrode #192 048, (1) gouge shield #192 203, (1) gouge tip #204 332, (1) o-ring #169 232, (1) silicone grease #252 951, (1) swirl ring #192 049 and (1) retaining cup #192 050.



ICE-40C/T Torch

For a listing of original torch applications and replacements:

see pages 55–57



Consumables for ICE-40C/T Torch

PLASMA CUTTING

ICE-50C & 50CM

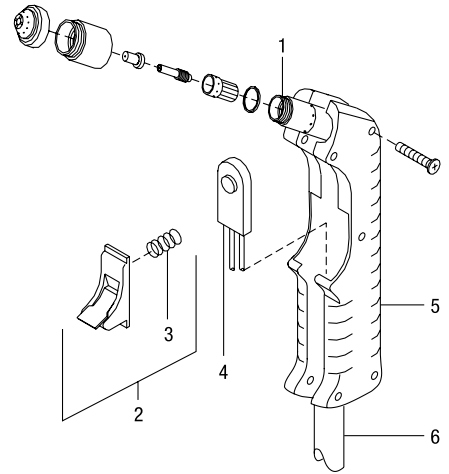
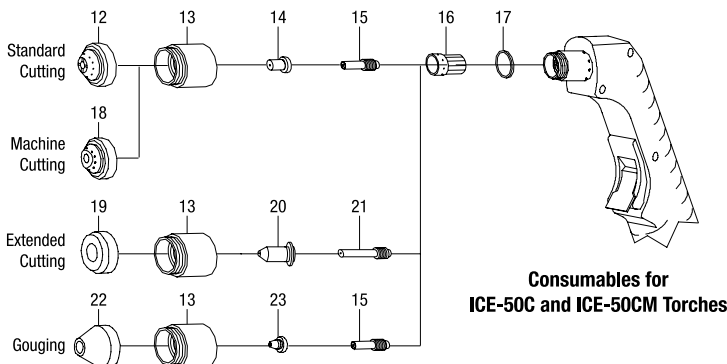
Service Parts/Consumables

Item #	Part #	Description	Quantity
	176 824	Torch, 25 ft (ICE-50C)	1
	176 826	Torch, 50 ft (ICE-50C)	1
	176 828	Torch, 50 ft (ICE-50CM)	
		ICE-50C Torch (Hand-Held)	
1	188 794	Main Body	1
2	185 833	Switch Assembly (includes)	1
3	190 220	Spring	1
4	171 248	Push Button Switch	1
5	183 427	Handle Assembly, complete	1
6	179 829	Leads, 25 ft	1
	179 830 (N/A)	Leads, 50 ft	1
	252 951	Grease, silicon	1
		ICE-50CM Torch (Machine-Held)	
7	180 611 (N/A)	Torch Sleeve	1
8	180 605	Remote Pendent Control	1
9	180 342 (N/A)	Leads, 50 ft	1
10	180 610 (N/A)	Position Sleeve	1
11	188 795 (N/A)	Main Body	1
		Consumables	
12	192 053	Shield, drag	1
13	192 050	Cup, retaining	1
14	177 890	Tip, standard	1 (5 per pkg)
	192 051¹	Tip, standard (ICE-55C)	1 (5 per pkg)
15	192 047	Electrode, standard	1 (5 per pkg)
16	177 886	Swirl Ring	1
	192 049¹	Swirl Ring (ICE-55C)	1
17	169 232	O-Ring	1 (3 per pkg)
18	192 058	Shield, machine	1
19	177 888	Deflector	1
20	177 876	Tip, extended	1 (5 per pkg)
	192 056¹	Tip, extended tapered 55 A (ICE-55C)	1 (5 per pkg)
	192 052¹	Tip, extended tapered 40 A (ICE-55C)	1 (5 per pkg)
	189 407	Tip, extended (flat)	1 (5 per pkg)
21	192 048	Electrode, extended	1 (5 per pkg)
22	192 203	Shield, gouge	1
23	177 878	Tip, gouge	1
	192 204¹	Tip, gouge (ICE-55C)	1 (5 per pkg)
24	226 763	Sense tab	1
	253 055	Circle Cutting Guide	1

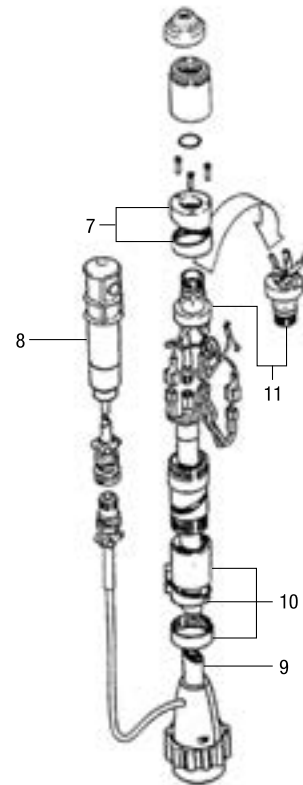
¹**Spectrum 2050 Enhancement** — For improved cutting performance and increased consumable life, Spectrum 2050 users are encouraged to update their existing ICE-50C Cutting Tips and Swirl Ring with the ICE-55C components. (The ICE-55C Tips must be used in conjunction with the ICE-55C Swirl Ring.)

For a listing of original torch applications and replacements:

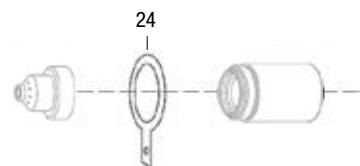
see pages 55–57



ICE-50C Torch



ICE-50CM Torch



226 763
Sense Tab



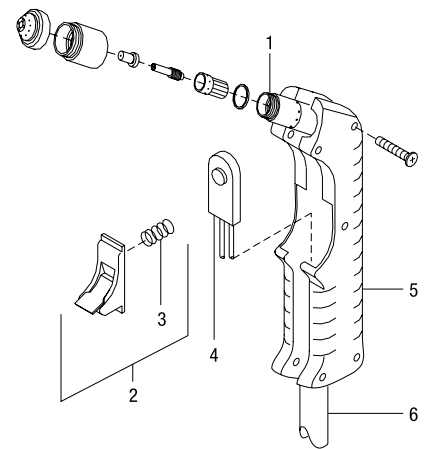
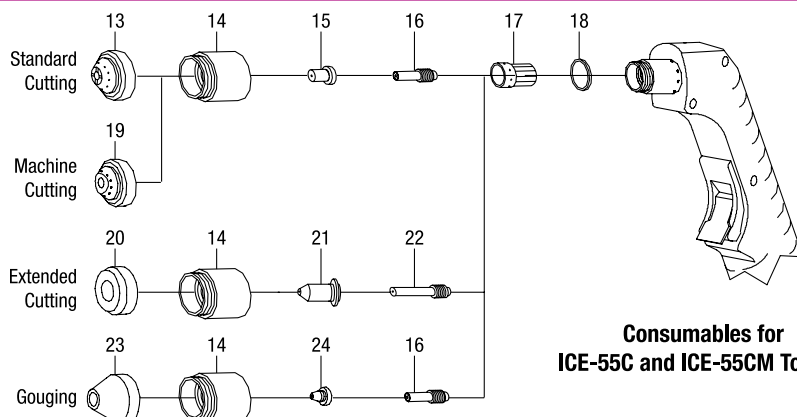
ICE-55C & 55CM Service Parts/Consumables

Item #	Part #	Description	Quantity
	193 347	Torch, 25 ft (ICE-55C)	1
	193 348	Torch, 50 ft (ICE-55C)	1
	193 349	Torch, 50 ft (ICE-55CM)	1
		ICE-55C Torch (Hand-Held)	
1	192 059	Main Body	1
	202 932	Plunger Repair Kit	1
2	185 833	Switch Assembly (includes)	1
3	190 220	Spring	1
4	171 248	Push Button Switch	1
5	183 427	Handle Assy, complete	1
6	192 062	Leads, 25 ft	1
	192 063	Leads, 50 ft	1
	252 951	Grease, silicon	1
		ICE-55CM Torch (Machine-Held)	
7	198 644	Retaining Ring	1
8	198 643	Torch Sleeve	1
9	192 060	Main Body	1
10	180 610 (N/A)	Position Sleeve	1
11	192 061 (N/A)	Leads, 50 ft	1
12	180 605	Remote Pendent Control	1
		Consumables	
13	192 053	Shield, drag	1
14	192 050	Cup, retaining	1
15	192 051	Tip, standard	1 (5 per pkg)
16	192 047	Electrode, standard	1 (5 per pkg)
17	192 049	Swirl Ring	1
18	169 232	O-Ring	1 (3 per pkg)
19	192 058	Shield, machine	1
20	177 888	Deflector	1
21	192 056	Tip, extended tapered (55 A)	1 (5 per pkg)
	192 052	Tip, extended tapered (40 A)	1 (5 per pkg)
22	192 048	Electrode, extended	1 (5 per pkg)
23	192 203	Shield, gouge	1
24	192 204	Tip, gouge	1 (5 per pkg)
25	226 763	Sense tab	1
	222 941¹	Consumable Kit (ICE-55C)	1
	253 055	Circle Cutting Guide	1

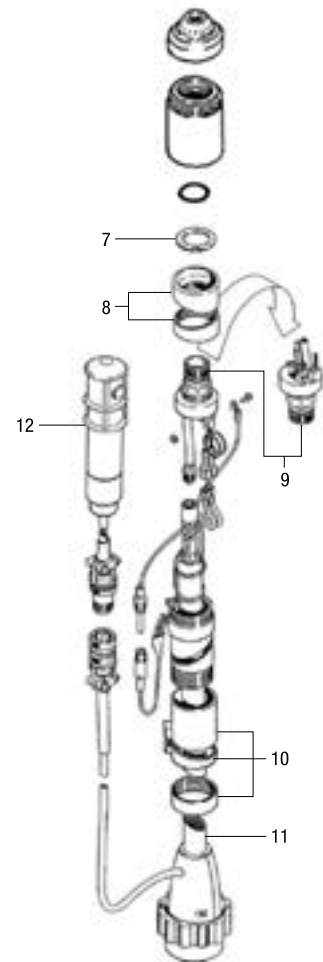
¹ICE-55C Consumable Kit includes (1) plastic case #127 493, (1) drag shield #192 053, (1) retaining cup #192 050, (4) tips #192 051, (4) electrodes #192 047, (2) extended tips #192 056, (2) extended electrodes #192 048, (1) gouge shield #192 203, (1) gouge tip #192 204, (3) o-rings #169 232, and (1) silicone grease #252 951.

For a listing of original torch applications and replacements:

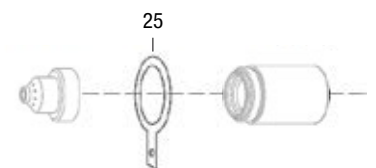
see pages 55–57



ICE-55C Torch



ICE-55CM Torch



226 763 Sense Tab

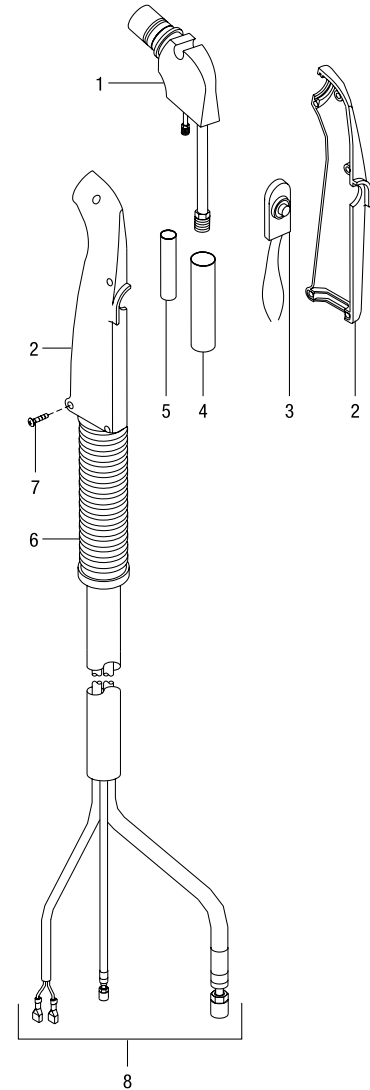
PLASMA CUTTING

ICE-50/70/100

Service Parts/Consumables

Item #	Part #	Description	Quantity	
			ICE-50	ICE-70 & 100
	169 224 (N/A)	ICE-50, 50 ft Hand-Held Torch	1	—
	169 203	ICE-70, 30 ft Hand-Held Torch	—	1
	169 245	ICE-70, 50 ft Hand-Held Torch	—	1
	169 207	Torch, 30 ft (ICE-100)	—	1
	169 246	Torch, 50 ft (ICE-100)	—	1
1	171 258	Torch, main body	1	—
	171 257	Torch, main body	—	1
2	171 246	Handle	1	1
3	171 248	Pushbutton, switch	1	1
	171 255 (N/A)	Splice, 22 – 18 butt N-insul connector	2	2
4	171 263	Lead Insulator, 5/8PVC 3.5 in long	1	—
	171 252	Teflon Tube 11/16 ID x.030W x 3.5 in long	—	1
5	171 260	Lead Insulator, 7/16PVC 3 in long	1	—
	171 251	Teflon Tube 9/16 ID x.030W x 2.5 in long	—	1
6	171 247	Boot	1	1
7	171 256	Handle Screw, No. 6 x 3/4ph	5	5
8	171 264	Leads, 30 ft	1	—
	171 253	Leads, 30 ft	—	1
	171 265 (N/A)	Leads, 50 ft	1	—
	171 254	Leads, 50 ft	—	1
		Consumables		
9	132 657 ¹	Standoff Guide	1 (2 per pkg)	
10	169 216 ¹	Retaining Cup	1	
11	174 034 ¹	Standard Tip	1 (5 per pkg)	
12	169 215 ¹	Swirl Ring	1	
13	169 212 ¹	Standard Electrode	1 (5 per pkg)	
14	169 232 ¹	O-Ring	1 (3 per pkg)	
15	174 035 ¹	Stop-Guide Sleeve	1	
16	169 214 ¹	Extended Tip	1 (5 per pkg)	
17	173 895 ¹	Extended Electrode	1 (5 per pkg)	
18	169 213 ¹	Gouge Tip	1 (5 per pkg)	
	253 054	Stand-off Guide	1	1
	253 055	Circle Cutting Guide	1	1

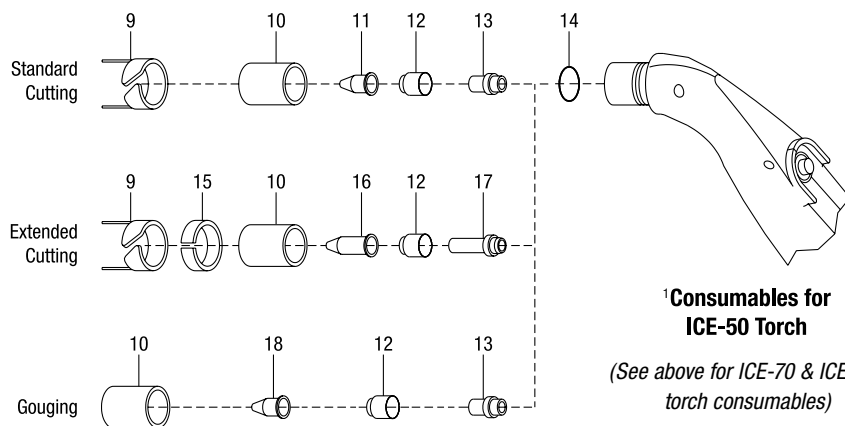
¹For ICE-50 only — see page 68 for ICE-70 and ICE-100 torch consumables.



ICE-50 / ICE-70 & ICE-100 Torch

For a listing of original torch applications and replacements:

see pages 55–57



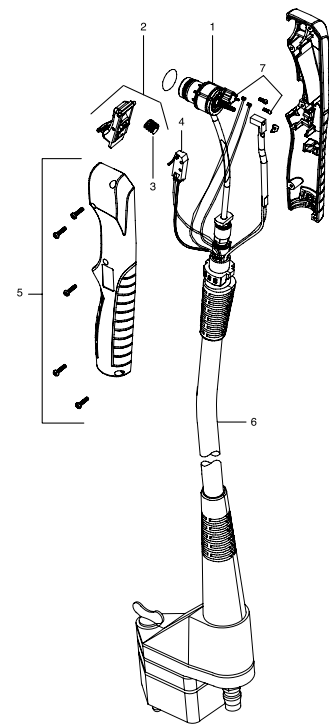
¹Consumables for
ICE-50 Torch

(See above for ICE-70 & ICE-100
torch consumables)

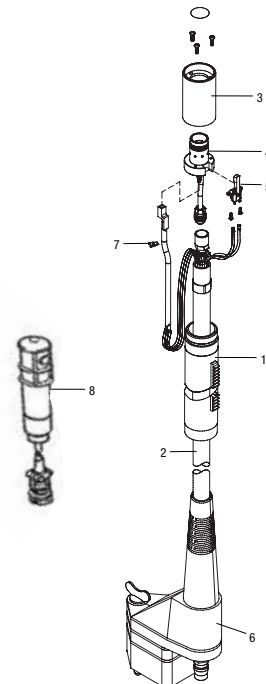


ICE-60T & 60TM Service Parts/Consumables

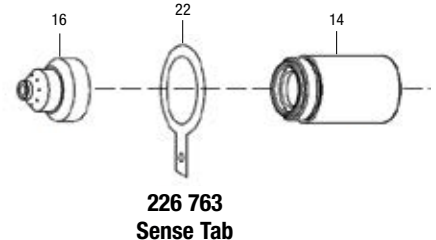
Item #	Part #	Description	Quantity
	234 132	Torch, 20 ft (ICE-60T)	1
	234 134	Torch, 50 ft (ICE-60T)	1
	234 136	Torch, 25 ft (ICE-60TM)	1
	234 138	Torch, 50 ft (ICE-60TM)	1
	300 759	Torch with Pendant, 25 ft (ICE-60TM)	1
	300 760	Torch with Pendant, 50 ft (ICE-60TM)	1
ICE-60T Torch			
1	215 477	Torch, main body	1
2	185 833	Switch assembly (includes)	1
3	190 220	Spring	1
4	215 592	Push button switch	1
5	215 594	Handle assembly	1
6	234 170	Leads, 20 ft	1
	234 171	Leads, 50 ft	1
	252 951	Grease, silicon	1
7	215 478	Switch Cup, Sensor	1
ICE-60TM Torch			
1	215 607	Sleeve, torch position	1
2	234 172	Torch Lead, 25 ft (7.6 m)	1
	234 173 (N/A)	Torch Lead, 50 ft (15.2 m)	1
3	215 599	Torch sleeve	1
4	215 598	Torch, main body	1
5	215 478	Switch Cup, Sensor	1
6	234 829	Kit, ICE-60T/TM QD w/wing head fastener	1
7	215 606	Clip, retaining	1
8	195 513	Remote pendant control	1
	220 240	Cable, remote control trigger 25 ft (7.6 m)	1
	220 241	Cable, remote voltage sense 26.5 ft (8 m)	1
Consumables			
9	212 735	O-ring	1 (5 per pkg)
10	212 734	Swirl ring	1
11	212 724	Electrode	1 (5 per pkg)
12	219 676	Standard 60A tip	1 (5 per pkg)
13	212 725	Standard 40A tip	1 (5 per pkg)
14	212 733	Retaining cup	1
15	212 730	Drag shield	1
16	212 732	Shield	1
17	219 682	Extended 60A tip	1 (5 per pkg)
18	212 729	Extended 40A tip	1 (5 per pkg)
19	212 736	Deflector	1
20	219 680	Gouge tip	1 (5 per pkg)
21	212 731	Gouge shield	1
22	226 763	Sense tab	1



ICE-60T Torch



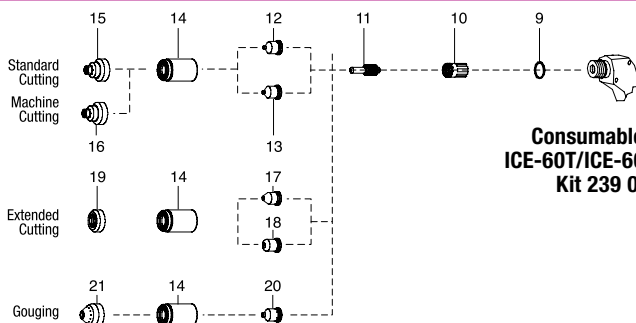
ICE-60TM Torch



226 763
Sense Tab

For a listing of original torch applications and replacements:

see pages 55–57



Consumables for
ICE-60T/ICE-60TM and
Kit 239 086

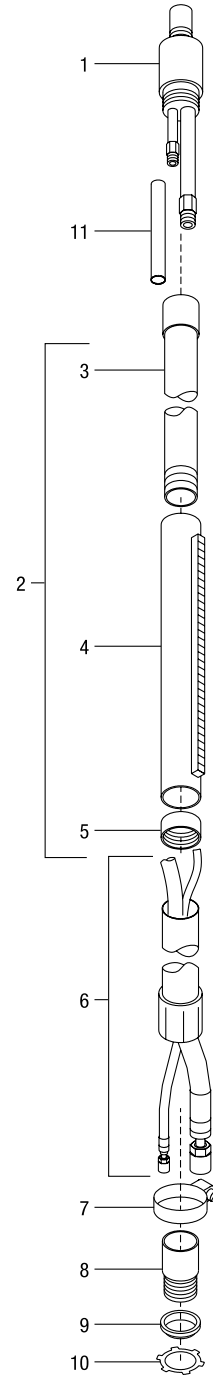
PLASMA CUTTING

ICE-70M/100M

Service Parts/Consumables

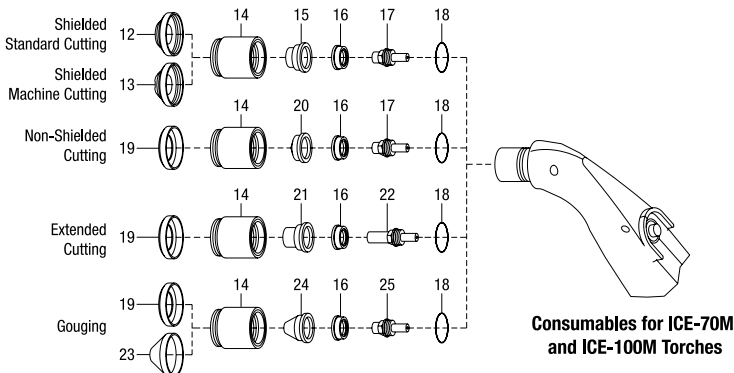
Item #	Part #	Description	Quantity
	169 247 (N/A)	ICE-100M, 50 ft Machine Torch	1
1	171 245	Torch, main body	1
2	171 241 (N/A)	Torch Assembly, rack and sleeve (consists of)	1
3	185 999 (N/A)	Torch Position Sleeve	1
4	186 000 (N/A)	Gear Rack	1
5	186 001 (N/A)	Locking Ring	1
6	171 243 (N/A)	Leads, 30 ft (ICE-70M)	1
	171 242 (N/A)	Leads, 50 ft (ICE-100M)	1
7	010 860 (N/A)	Clamp, hose .750 – 1.750clp dia	1
8	170 993 (N/A)	Collar, brass	1
9	170 825 (N/A)	Washer, shldr 1.251 x 1.750 OD x .125thk	1
10	010 907	Nut, 1.000 – 11	1
11	171 244 (N/A)	Black PVC, 5/8 ID x 3.5 long	1
		Consumables	
12	169 224	Shield, drag	1
13	169 230	Machine Shield	1
14	169 223	Retaining Cup	1
	179 282¹	Cup, bevel	1
15	169 219	Tip (70 A)	1 (5 per pkg)
	169 226	Tip (100 A)	1 (5 per pkg)
16	169 222	Swirl Ring	1
17	169 217	Electrode	1 (5 per pkg)
18	169 233	O-Ring	1 (3 per pkg)
19	169 225	Deflector	1
20	181 227	Tip (50 A)	1
	169 220	Tip (70 A)	1 (5 per pkg)
	169 227	Tip (100 A)	1 (5 per pkg)
21	173 815	Tip (70 A)	1 (5 per pkg)
22	173 816	Electrode	1 (5 per pkg)
23	170 995	Gouge Shield (70 A)	1
24	169 221	Tip (70 A)	1 (5 per pkg)
	169 228	Tip (100 A)	1 (5 per pkg)
25	169 218	Electrode (70 A)	1 (5 per pkg)
	169 217	Electrode (100 A)	1 (5 per pkg)
26	226 763	Sense tab	1
	253 054	Stand-off Guide	1
	253 055	Circle Cutting Guide	1

¹Use of the #179 282 Bevel Cup will eliminate the need to use item #19 (#169 225 Deflector).

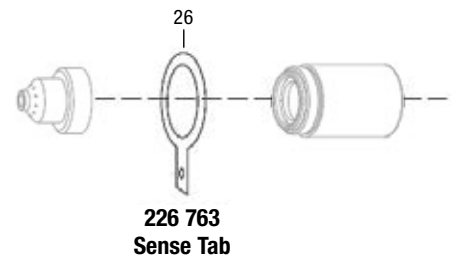


For a listing of original torch applications and replacements:

see pages 55–57



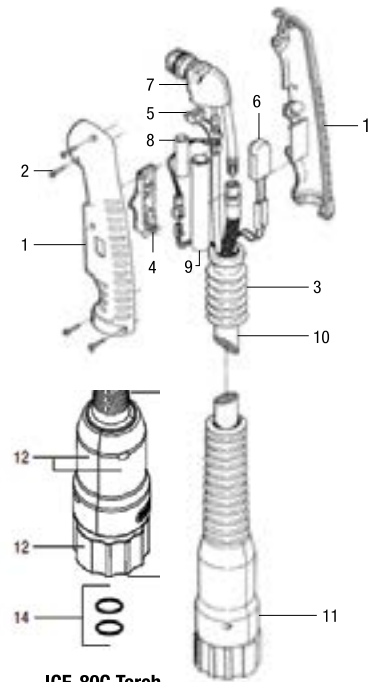
ICE-70M/ICE-100M Torch



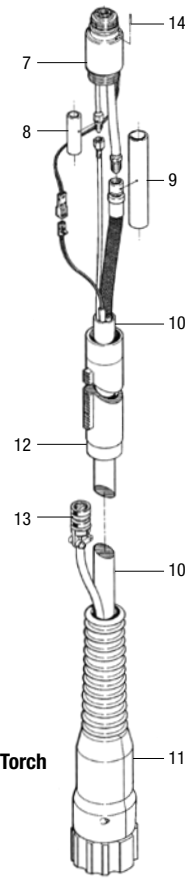


ICE-80C & 80CM Service Parts/Consumables

Item #	Part # ICE-80C	Part # ICE-80CM	Description	Quantity
	176 830	—	ICE-80C, 25 ft Hand-Held Torch	
1	187 300	—	Handle	1
2	190 503	—	#6 x 5/8 Phillips Screw, pan head	4
3	190 502 (N/A)	—	Boot	1
4	196 423	—	Switch Assy (includes)	1
	190 504 (N/A)	—	Spring	1
5	187 301	—	Switch, Cup Sensor	1
6	196 682	—	Push Button Switch	1
7	187 298	187 299	Main Body	1
8	190 501	190 501	Heatshrink 1/2 in ID (2.5 in)	1
9	190 500 (N/A)	190 500 (N/A)	Tubing, 5/8 in ID (4 in)	1
10	196 415	—	Torch Lead, 25 ft (7.6 m)	1
	196 416 (N/A)	196 417 (N/A)	Torch Lead, 50 ft (15.2 m)	1
11	190 497	190 497	Plug Assy, quick disconnect	1
12	218 177	—	Both plastic halves and nut	1
13	—	—	Sleeve, torch position	1
14	187 305	—	O-ring, quick disconnect	1
15	—	190 498 (N/A)	Plug, 3-socket female	1
16	—	190 499 (N/A)	Contact, cap-on sensor	2
			Consumables	
17	177 899	177 899	Drag Shield	1
18	177 898	177 898	Retaining Cup	1
19	177 896	177 896	Standard Tip	1 (5 per pkg)
20	177 895	177 895	Standard Electrode	1 (5 per pkg)
21	177 897	177 897	Swirl Ring	1
22	177 902	177 902 (N/A)	O-Ring, silicon .864 x .070	1 (5 per pkg)
23	187 292	187 292	Machine Shield	1
24	177 900	177 900	Deflector	1
25	187 289	187 289	Extended Tip	1 (5 per pkg)
26	187 288	187 288	Extended Electrode	1 (5 per pkg)
27	187 291	187 291	40 Amp Retaining Cup	1
28	187 290	187 290	40 Amp Tip	1 (5 per pkg)
29	187 293	187 293	Gouge Shield	1
30	177 901	177 901	Gouge Tip	1 (5 per pkg)
31	226 763	226 763	Sense tab	1
	253 054	253 054	Stand-off Guide	1
	253 055	253 055	Circle Cutting Guide	1



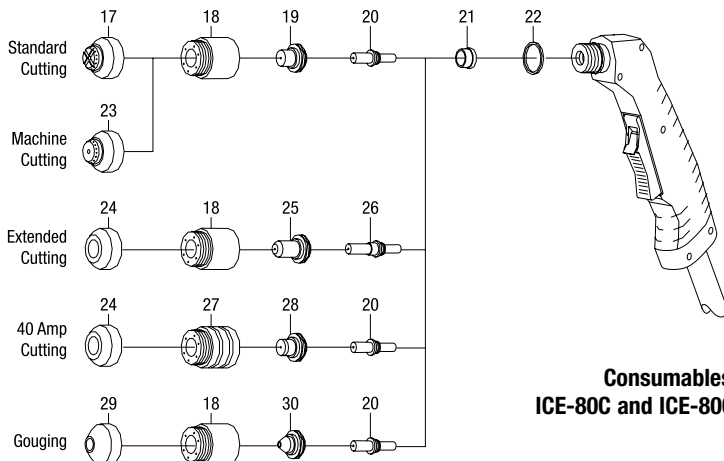
ICE-80C Torch



ICE-80CM Torch

For a listing of original torch applications and replacements:

see pages 55–57



Consumables for ICE-80C and ICE-80CM Torches

226 763 Sense Tab

PLASMA CUTTING

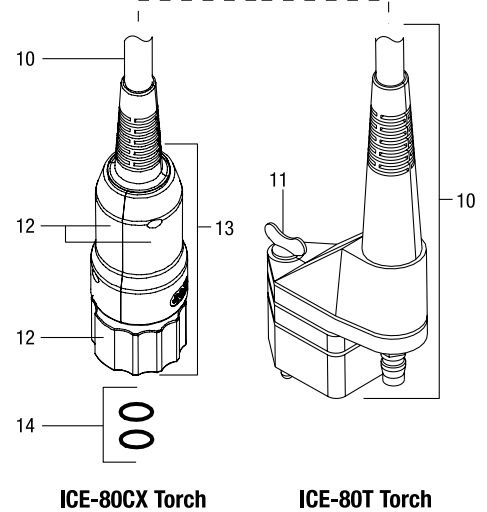
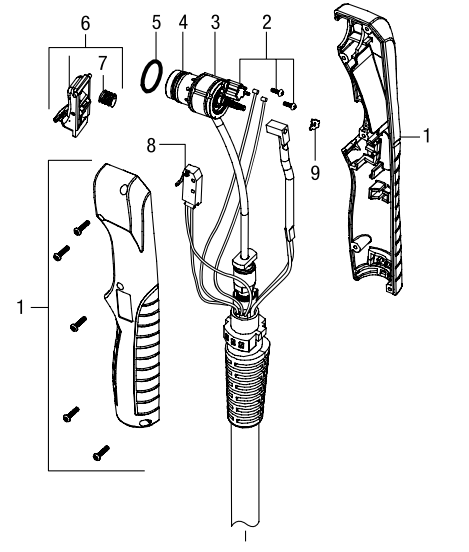
ICE-80CX/80T

Service Parts/Consumables

Item #	Part # ICE-80CX	Part # ICE-80T	Description	Quantity
	216 300	195 223	Torch, 25 ft	1
	218 044	195 225	Torch, 50 ft	1
1	215 594	215 594	Handle with screws	1
2	215 478	215 478	Cup Sensor Switch Kit	1
3	215 477	215 477	Main Body	1
4	215 479	215 479	Torch Head Repair Kit	1
5	212 735	212 735	O-Ring, main body	1 (5 per pkg)
6	185 833	185 833	Switch Assembly (includes)	1
7	190 220	190 220	Trigger spring	1
8	215 592	215 592	Switch trigger	1
9	215 606	215 606	Clip, retaining	1
10	216 309	223 543 ¹ (N/A)	Torch Lead, 25 ft (7.6 m)	1
	218 045 (N/A)	223 544 ¹	Torch Lead, 50 ft (15.2 m)	1
11	—	227 546	Fastener Stud	1
12	218 177	—	Plug Assy, quick disconnect	1
13	190 497	—	Both Plastic Halves and Nut	1
14	187 305	—	O-Ring, quick disconnect	2
			Consumables	
15	212 730	212 730	Drag Shield	1
16	212 733	212 733	Retaining Cup	1
17	212 725	212 725	40 Amp Standard Tip	1 (5 per pkg)
18	212 726	212 726	80 Amp Standard Tip	1 (5 per pkg)
19	212 724	212 724	Electrode	1 (5 per pkg)
20	212 734	212 734	Swirl Ring	1
21	212 735	212 735	O-Ring	1 (5 per pkg)
22	212 736	212 736	Deflector	1
23	212 729	212 729	40 Amp Extended Tip	1 (5 per pkg)
24	212 728	212 728	80 Amp Extended Tip	1 (5 per pkg)
25	212 731	212 731	80 Amp Gouge Shield	1
26	212 727	212 727	80 Amp Gouge Tip	1 (5 per pkg)
	222 942 ²	222 942 ²	Consumable Kit (ICE-80T)	1
	253 054	253 054	Stand-off Guide	1
	253 055	253 055	Circle Cutting Guide	1

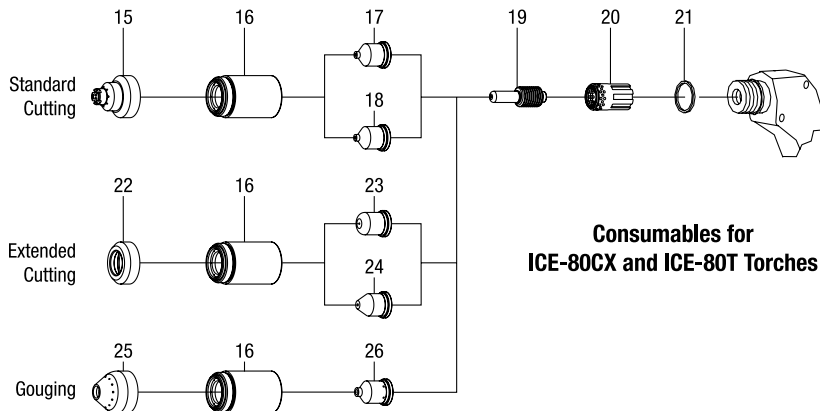
¹Item #10 for ICE-80T is a combination unit that includes both torch lead and overmolded quick disconnect plug assembly.

²ICE-80T Consumable Kit includes (1) plastic case #127 493, (1) drag shield #212 730, (1) retaining cup #212 733, (3) tips #212 726, (6) electrodes #212 724, (2) extended tips #212 728, (1) gouge shield #212 731, (1) gouge tip #212 727, (3) o-rings #212 735, and (1) silicon grease #252 951.



For a listing of original torch applications and replacements:

see pages 55–57



Consumables for
ICE-80CX and ICE-80T Torches

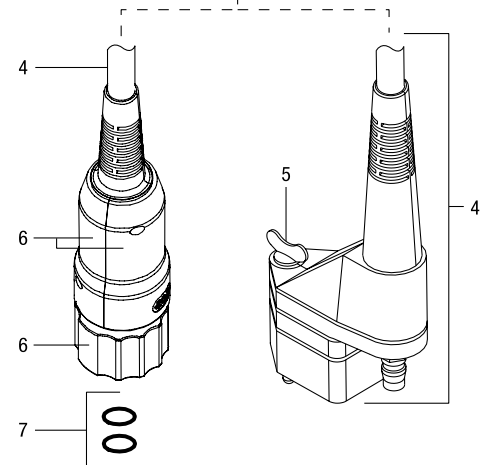
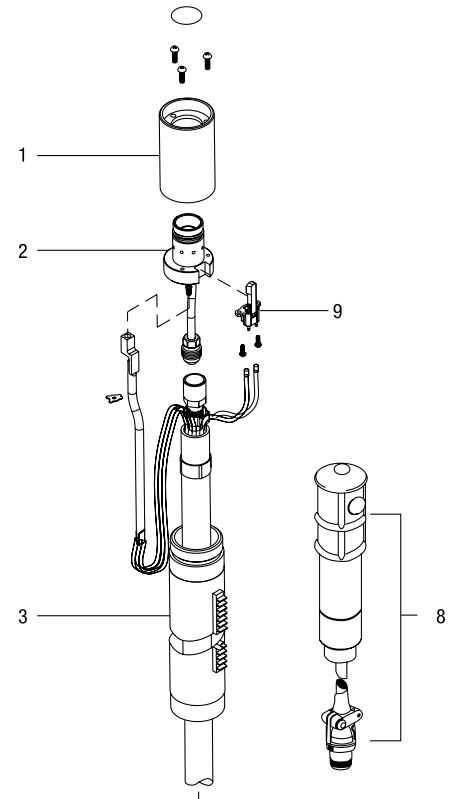


ICE-80CXM/80TM Service Parts/Consumables

Item #	Part # ICE-80CXM	Part # ICE-80TM	Description	Quantity
	—	195 221	ICE-80TM Machine Torch, 25 ft	1
	219 944	—	ICE-80CXM Machine Torch, 50 ft	1
	—	223 535	ICE-80TM Machine Torch, 50 ft	1
1	215 599	215 599	Torch Sleeve with screws	1
2	215 598	215 598	Torch, main body	1
3	215 607	215 607	Sleeve, torch position	1
4	216 309	223 545 ¹ (N/A)	Torch Lead, 25 ft (7.6 m)	1
	218 045 (N/A)	219 964 ¹	Torch lead, ICE-80TM, 50 ft	1
5	—	227 546	Fastener Stud	1
6	218 177	—	Both Plastic Halves and Nut	1
7	187 305	—	O-Ring, quick disconnect	1
8	180 605	195 513	Remote Pendant Control	1
	—	220 240	Cable, remote control trigger 25 ft (7.6 m)	1
	—	220 241	Cable, remote voltage sense 26.5 ft (8 m)	1
9	215 478	215 478	Cup Sensor Switch Kit	1
Consumables				
10	212 732	212 732	Machine Shield	1
11	212 733	212 733	Retaining Cup	1
12	212 725	212 725	40 Amp Standard Tip	1 (5 per pkg)
13	212 726	212 726	80 Amp Standard Tip	1 (5 per pkg)
14	212 724	212 724	Electrode	1 (5 per pkg)
15	212 734	212 734	Swirl Ring	1
16	212 735	212 735	O-Ring	1 (5 per pkg)
17	212 736	212 736	Deflector	1
18	212 729	212 729	40 Amp Extended Tip	1 (5 per pkg)
19	212 728	212 728	80 Amp Extended Tip	1 (5 per pkg)
20	212 731	212 731	80 Amp Gouge Shield	1
21	212 727	212 727	80 Amp Gouge Tip	1 (5 per pkg)
22	226 763	226 763	Sense tab	1
	222 942 ²	222 942 ²	Consumable Kit (ICE-80T)	1
	253 054	253 054	Stand-off Guide	1
	253 055	253 055	Circle Cutting Guide	1

¹ Item #4 for ICE-80TM is a combination unit that includes both torch lead and overmolded quick disconnect plug assembly.

² ICE-80T Consumable Kit includes (1) plastic case #127 493, (1) drag shield #212 730, (1) retaining cup #212 733, (3) tips #212 726, (6) electrodes #212 724, (2) extended tips #212 728, (1) gouge shield #212 731, (1) gouge tip #212 727, (3) o-rings #212 735, and (1) silicon grease #252 951.



ICE-80CXM Torch

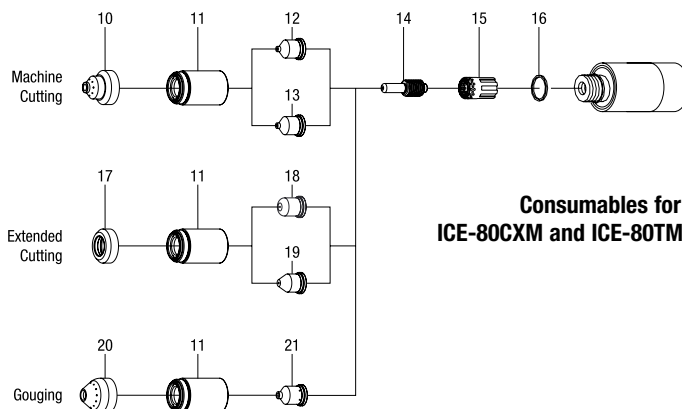
ICE-80TM Torch



226 763
Sense Tab

For a listing of original torch applications and replacements:

see pages 55–57



Consumables for
ICE-80CXM and ICE-80TM Torches

PLASMA CUTTING

ICE-100T & 100TM

Service Parts/Consumables

Item #	Part # ICE-100T	Part # ICE-100TM	Description	Quantity
	225 702	225 706	Torch, 25 ft	1
	225 704	225 708	Torch, 50 ft	1
1	215 594	—	Handle with screws	1
2	215 478	215 478	Cup Sensor Switch Kit	1
3	223 774	223 773	Main Body with switch	1
4	223 775	223 775	Torch Head Repair Kit	1
5	212 735	—	O-Ring, main body	1 (5 per pkg)
6	185 833	—	Switch Assembly (includes)	1
7	190 220	—	Trigger Spring	1
8	215 592	—	Switch Trigger	1
9	215 606	—	Clip, retaining	1
10	223 612 ¹	223 614 ¹ (N/A)	Torch Lead, 25 ft (7.6 m)	1
	223 613 ¹	223 615 ¹	Torch Lead, 50 ft (15.2 m)	1
11	227 546	227 546	Fastener Stud	1
12	—	215 599	Torch Sleeve, ICE-80TM	1
13	—	215 607	Sleeve, torch position	1
14	—	195 513	Remote Pendant Control	1
	—	220 240	Cable, remote control trigger 25 ft	1
	—	220 241	Cable, remote voltage sense 26.5 ft	1
Consumables				
15	212 730/219 685 ²	212 732/219 687 ²	Drag/Machine Shield	1
16	212 733/219 684 ²	212 733/219 684 ²	Retaining Cup	1
17	212 725	212 725	40 Amp Standard Tip	1 (5 per pkg)
	219 676	219 676	60 Amp Standard Tip	1 (5 per pkg)
	212 726	212 726	80 Amp Standard Tip	1 (5 per pkg)
	219 679	219 679	100 Amp Standard Tip	1 (5 per pkg)
18	212 724/219 678 ²	212 724/219 678 ²	Electrode	1 (5 per pkg)
19	212 734/219 677 ²	212 734/219 677 ²	Swirl Ring	1
20	212 735	212 735	O-Ring	1 (5 per pkg)
21	212 736	212 736	Deflector	1
22	212 729	212 729	40 Amp Extended Tip	1 (5 per pkg)
	219 682	219 682	60 Amp Extended Tip	1 (5 per pkg)
	212 728	212 728	80 Amp Extended Tip	1 (5 per pkg)
	219 683	219 683	100 Amp Extended Tip	1 (5 per pkg)
23	212 731	212 731	Gouge Shield	1
24	219 680	219 680	60 Amp Gouge Tip	1 (5 per pkg)
25	—	226 763	Sense tab	1
	212 727	212 727	80 Amp Gouge Tip	1 (5 per pkg)
	219 681	219 681	100 Amp Gouge Tip	1 (5 per pkg)
	227 037 ³	227 037 ³	Consumable Kit (ICE-100T)	1
	253 054	—	Stand-off Guide	1
	253 055	—	Circle Cutting Guide	1

¹Item #10 includes both torch lead and overmolded quick disconnect plug assembly.

²First number is for 40/60/80 Amp components and second number is for 100 Amp components.

³ICE-100T Consumable Kit includes (1) plastic case #127 493, (1) 100 A drag shield #219 685,

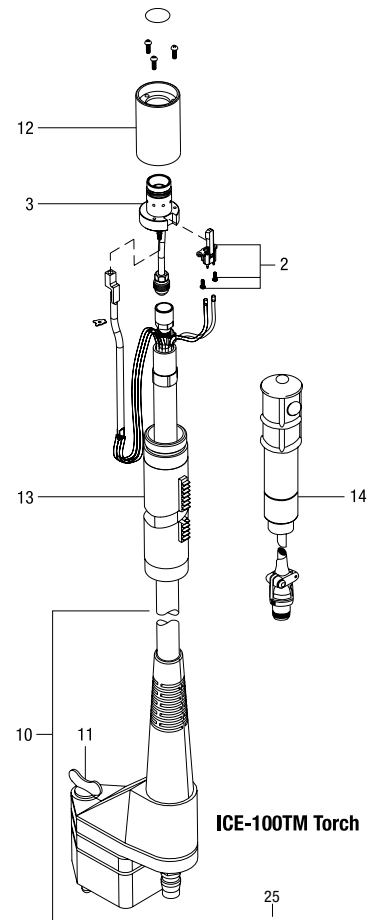
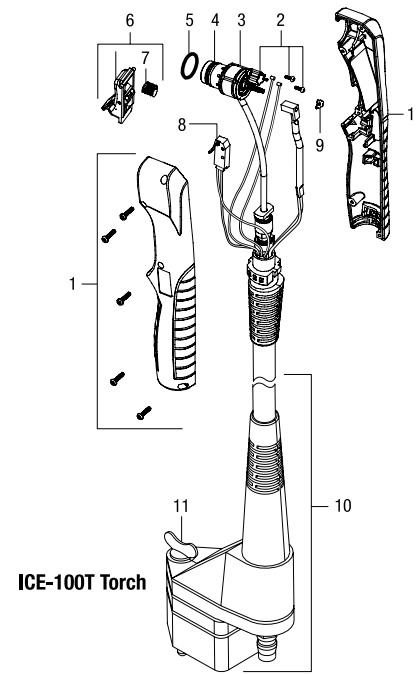
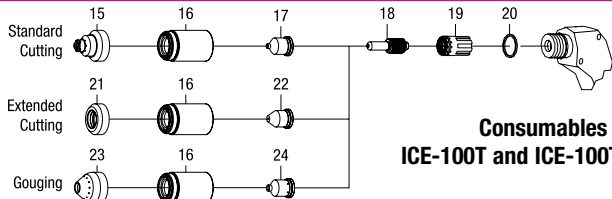
(1) 100 A retaining cup #219 684, (3) 100 A tips #219 679, (6) 100 A electrodes #219 678,

(2) 100 A extended tips #219 683, (1) gouge shield #212 731, (1) 100 A gouge tip #219 681,

(3) o-rings #212 735, and (1) silicon grease #252 951.

For a listing of original torch applications and replacements:

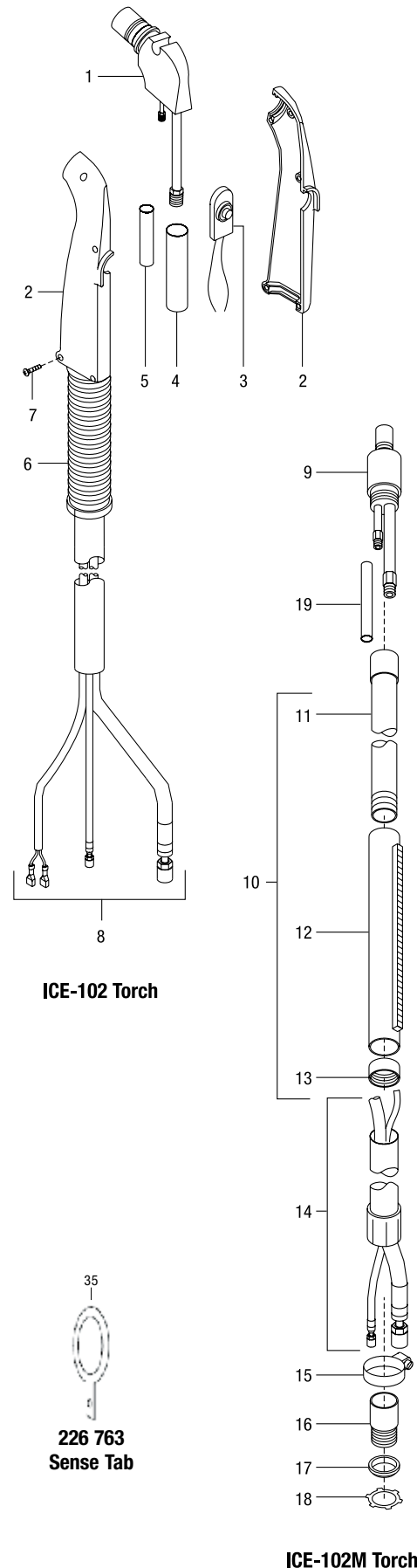
see pages 55–57





ICE-102 & 102M Service Parts/Consumables

Item #	Part #	Description	Quantity
		ICE-102 Torch (Hand-Held)	
	180 333 (N/A)	Torch, 50 ft	1
1	183 448 (N/A)	Torch, main body	1
2	171 246	Handle	1
3	171 248	Pushbutton, switch	1
	171 255 (N/A)	Splice, 22 - 18 butt N-insul connector	2
4	171 263	Lead Insulator, 5/8PVC 3.5 in long	1
	171 252	Teflon Tube, 11/16 ID x .030W x 3.5 in long	1
5	171 260	Lead Insulator, 7/16PVC 3 in long	1
	171 251	Teflon Tube, 9/16 ID x .030W x 2.5 in long	1
6	171 247	Boot	1
7	171 256	Handle Screw, No. 6 x 3/4ph	5
8	183 450 (N/A)	Leads, 50 ft	1
		ICE-102M Torch (Machine-Held)	
		Torch, 50 ft	
9	183 449 (N/A)	Torch, main body	1
10	171 241 (N/A)	Torch Assembly, rack and sleeve (consists of)	1
11	185 999 (N/A)	Torch Position Sleeve	1
12	186 000 (N/A)	Gear Rack	1
13	186 001 (N/A)	Locking Ring	1
14	183 452 (N/A)	Leads, 50 ft	1
15	010 860 (N/A)	Clamp, hose .750 — 1.750clp dia	1
16	170 993 (N/A)	Collar, brass	1
17	170 825 (N/A)	Washer, shldr 1.251 ID x 1.750 OD x .125thk1	1
18	010 907	Nut, 1.000 — 11	1
19	171 244 (N/A)	Black PVC, 5/8 ID x 3.5 long	1
		Consumables	
20	169 224	Drag Shield	1
21	169 230	Machine Shield	1
22	180 412	Retaining Cup	1
23	180 408	Shielded Tip	1 (10 per pkg)
24	180 404	Swirl Ring	1
25	169 217	Air Electrode	1 (5 per pkg)
26	180 406 (N/A)	Multiple Gas Electrode	1 (5 per pkg)
27	169 233	O-Ring	1 (3 per pkg)
28	170 995	Gouge Shield	1
29	183 447 (N/A)	Retaining Cup	1
30	180 411 (N/A)	Air Gouge Tip	1
31	180 410 (N/A)	Multiple Gas Gouge Tip	1
32	180 405 (N/A)	Swirl Ring	1
33	169 218	Air Gouge Electrode	1 (5 per pkg)
34	180 407 (N/A)	Multiple Gas Gouge Electrode	1
35	226 763	Sense tab	1
	253 054	Stand-off Guide	1
	253 055	Circle Cutting Guide	1



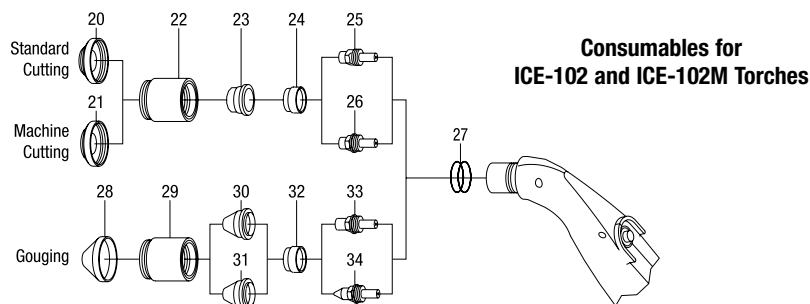
ICE-102 Torch

ICE-102M Torch

226 763
Sense Tab

For a listing of original torch applications and replacements:

see pages 55—57



Consumables for
ICE-102 and ICE-102M Torches

PLASMA CUTTING

HP-25

Service Parts/Consumables 232 647

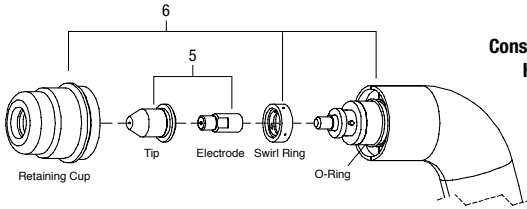
Item #	Part #	Description	Quantity
	232 647	HP-25 Hand-Held Plasma Torch	
1	230 429	Handle Assy, left and right w/screws	1
2	232 081	Trigger Switch	1
3	230 432	Leads, 16 ft	1
4	230 430	Torch Head	1
5	770 496 ¹	Consumable kit, tip/electrode	2 each/kit
5	770 723	Consumable kit, tip/electrode	5 each/kit
6	770 497 ¹	Consumable kit, cup/swirl ring/o-ring	1
	233 321	Stand-off Guide	1
	233 046	Wrench	1
	245 993	Kit, Detect Leads	1

¹Parts not sold individually.

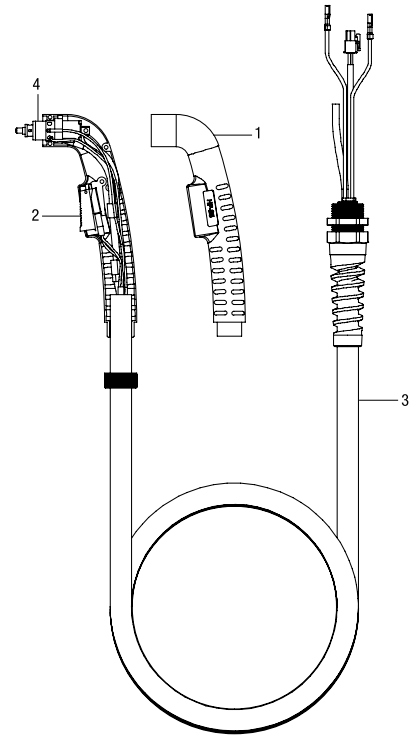
No circle cutting guide for the HP-25, HP-50, and HP-70 torches. #244 117 Yellow Safety Switch.

For a listing of original torch applications and replacements:

see pages 55–57



Consumable Kits for
HP-25 Torch



HP-25 Torch

HP-50

Service Parts/Consumables 244 121

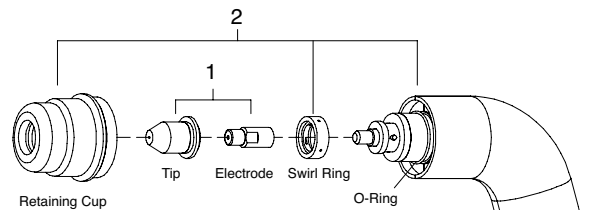
Item #	Part #	Description	Quantity
	244 121	HP-50 Hand-Held Plasma Torch	
1	770 496 ¹	Consumable kit, tip/electrode	2 each/kit
1	770 723	Consumable kit, tip/electrode	5 each/kit
2	770 653 ¹	Consumable kit, cup/swirl ring/O-ring	1
3	233 321	Stand-off guide, HP-25/50/70 plasma torch	1
	245 993	Kit, Detect Leads	1

¹Parts not sold individually.

No circle cutting guide for the HP-25, HP-50, and HP-70 torches. #244 117 Yellow Safety Switch.

For a listing of original torch applications and replacements:

see pages 55–57



Consumable Kits for
HP-50 Torch

HP-70

Service Parts/Consumables 244 122

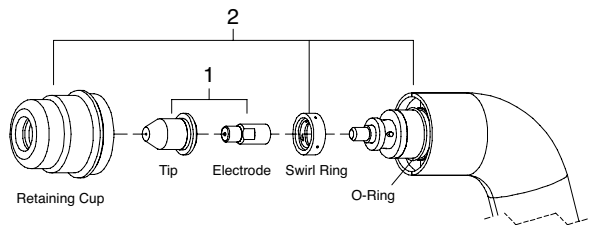
Item #	Part #	Description	Quantity
	244 122	HP-70 Hand-Held Plasma Torch	
1	770 654 ¹	Consumable kit, tip/electrode	2 each/kit
1	770 724	Consumable kit, tip/electrode	5 each/kit
2	770 655 ¹	Consumable kit, cup/swirl ring/O-ring	1
3	233 321	Stand-off guide, HP-25/50/70 plasma torch	1
	245 993	Kit, Detect Leads	1

¹Parts not sold individually.

No circle cutting guide for the HP-25, HP-50, and HP-70 torches. #244 117 Yellow Safety Switch.

For a listing of original torch applications and replacements:

see pages 55–57



Consumable Kits for
HP-70 Torch



Hose Fittings

Little Torch™ Hose Nuts

Stock No.	Type	Nut Thread & Number	Hose ID Size
R2	Oxygen	9/16 in-18 RH	1/8 in (3 mm)
R3	Fuel Gas	9/16 in-18 LH	1/8 in (3 mm)

Little Torch™ Hose Tailpiece

Stock No.	Type	Style	Hose ID Size
1882	Oxygen/Fuel	Barbed	1/8 in (3 mm)

NOTE: For Oxy and Fuel Connections.

Little Torch™ & Quickbraze™ Hose Ferrule

Stock No.	Inside Diameter	Length	Hose Type
7582	3/16 in/ 5 mm	9/32 in/ 7 mm	Oxygen/Fuel

NOTE: 7799 - Crimping tool to crimp ferrule on Little Torch™ hose.

Hose Adaptors

Stock No.	Type	Male Thread	Female Thread
14389 (B to A)	Oxygen	3/8 in-24 RH	9/16 in-18 RH
14390 (B to A)	Fuel Gas	3/8 in-24 RH	9/16 in-18 RH

NOTE: "B" Regulators fitting to "A" hose fitting.

Torch Hose Connections

Stock No.	Type	Nut Thread & Number	Style
3060-1	Oxygen	9/16 in-18 RH	Nickel Plated
3060-2	Fuel Gas	9/16 in-18 LH	Nickel Plated

Use With: All heavy duty torch handles and hand torches.

Pressure Gauges & Filter

#GA136-03 2-inch Diameter Pressure Gauge (50 CFH/25 LPM)

#GA139-03 2-inch Diameter Pressure Gauge (4000 PSI/280 BAR)

- Highly accurate read-out
- UL listed
- Shatter-proof polycarbonate crystal

15001-30 Gas Filter, Shielding (In-Line)

This in-line shielding gas filter is now standard on every Miller wire feeder with a gas solenoid. It traps contaminants before they plug up solenoid valves which result in costly downtime cleaning.

15775-10 Sintered Filter (10 Pack)

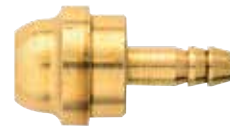
Sintered filter to prevent debris from entering torch. Installs inside Smith "B" torch inlet connections.

NOTE: Not for use with Gas Axe torches.

R3



1882



Ferrule
7582



Crimping Tool
7799



14389



3060-2



3060-1



GA136-03
1/4 NPT



GA139-03
1/4 NPT



15001-30



15775-10

Single Hoses for Acetylene

Important Note: The Grade "R" hose is for use with acetylene only as specified by the RMA-CGA Hose Standard. "T" Grade hose must be used with all other gases.

Single "R" Grade hoses for Acetylene Only - Red Hose


Stock No.	Length	Diameter	Weight (lbs & kg)	Connections	Use with Torch Series	I.D. Size
RL121	12-1/2 ft (3.8 m)	3/16 in (5 mm)	1-1/4 (.55 kg)	9/16 in-18 LH ("B")	NE180 Handi-Heat	3/16 in (5 mm) 

Single Hose - Inert Gas - Black Hose

Stock No.	Use For	Length	Diameter	Connections
7294-1	Inert Gas	6 ft (1.8 m)	1/4 in (6 mm)	5/8 in-18 RH Male

Single Hose - Nitrogen

Heavy Duty Charging Hose for use with Nitrogen for HVAC Purging Applications.

Stock No.	Length	Connections		Use with Regulators	I.D. Size
		To Regulator	To A/C Unit		
RL260	6 ft (1.8 m)	7/16 in-20 RH Internal	7/16 in-20 RH w/core	30-450-580 depress to open Schraeder Valve	1/4 in (6 mm) 

Little Torch™ Replacement Hoses

Stock No.	Length	Hose Type
13254-1-8'	8 ft	Oxygen
13254-3-8'	8 ft	Any Fuel
13254-4-8'	8 ft	Oxygen/Fuel
13254-5-8	8 ft	Australian Little Torch™ Twin Hose Assembly
13254-6-8	8 ft	British Little Torch™ Twin Hose Assembly
13254-7-8	8 ft	European Little Torch™ Twin Hose Assembly

Note: "B" - 9/16" Hose Fittings. Replacement hoses include installation tool 7799 and Ferrule 7582.

QuickBraz™ Replacement Hoses

Stock No.	Length	Hose Type
14777-4-10	10 ft	"A" - 3/8 in
14778-4-10	10 ft	"B" - 9/16 in

Note: Replacement hoses include installation tool 7799 and Ferrule 7582.

Kevlar® Brazing Hose

#14779-4-10 "A" & "B" Fitting Twin Hose 3/8 in and 9/16 in female connections.

Kevlar® Hose Features & Benefits

Extremely durable, heat resistant, light weight and flexible. Excellent for repetitious brazing operations. (Not recommended for use with cutting attachments.)

NOTE: For AW1A Handle only.

RL121



7294-1



RL260



13254-1-8, 13254-3-8, 13254-4-8



14777-4-10, 14778-4-10



14779-4-10







Twin Hoses for Acetylene & Oxygen

Important Note: Grade “R” welding hose is for use with acetylene only as specified by the RMA-CGA Hose Standard. “T” Grade hose must be used with all other gases.

WARNING: Do not exceed the maximum working pressures (regulator setting) listed for the hoses during welding and cutting operations.

Oxygen150 PSIG Maximum
 Acetylene15 PSIG Maximum
 Propane, Propylene & all other Fuel Gases40 PSIG Maximum


Two-In-One “R” Grade Hose for Acetylene Only

Stock No.	Length	Diameter	Weight (lbs & kg)	Connections		Use with Torch Series	I.D. Size
				To Regulator	To Torches		
RL1131	25 ft (7.6 m)	1/4 in (mm)	6-1/2 (2.9 kg)	R11 (Oxygen) R12 (Fuel) 9/16 in-18 (“B”)	R11 (Oxygen) R12 (Fuel) 9/16 in-18 (“B”)	DG, SC, SW, CW, MW	1/4 in (6 mm) 
RL921	12-1/2 ft (3.8 m)	3/16 in (5mm)	2-3/4 (1.2 kg)	R13D (Oxygen) R14D (Fuel)	R13D (Oxygen) R14D (Fuel)	DG, MW, CW, SC	3/16 in (5 mm) 
RL935	20 ft (6.1 m)	3/16 in (5mm)	4 (1.8 kg)	9/16 in-18 (“B”)	9/16 in-18 (“B”)		
RA921	12-1/2 ft (3.8 m)	3/16 in (5 mm)	2-1/2 (1.1 kg)	R13D (Oxygen) R14D (Fuel) 9/16 in-18 (“B”)	R13 (Oxygen) R14 (Fuel) 3/8 in-24 (“A”)	AW1	

RL1131, RL921, RL935, RA921



Two-In-One “T” Grade Hose use with fuel gases (LP or Acetylene Gas)

Stock No.	Length	Diameter	Weight (lbs & kg)	Connections		Use with Torch Series	I.D. Size
				To Regulator	To Torches		
TRL1131	20 ft (6.1 m)	1/4 in (6 mm)	6-1/2 (2.9 kg)	R11 (Oxygen) R12 (Fuel) 9/16 in-18 (“B”)	R11 (Oxygen) R12 (Fuel) 9/16 in-18 (“B”)	DG, SC, SW, CW, MW, AW10	1/4 in (6 mm) 

TRL1131



Repair Parts

"O" Ring Replacements

Stock No.	Use with Welding/Heating Tips/Cutting Assemblies
AW15	AW Series Welding Tips / AT Series Heating Tips / AC309 Cutting Assembly / NE180 Series Air-Acetylene Tips
MW15	MW Series Welding Tips / MT Series Heating Tips / DG109A, MC509, MC505 & CC509P Cutting Assemblies
LW15	SW Series Welding Tips / ST Series Heating Tips / DG209, DG205, DG200, SC209, SC205, SC200 Cutting Assemblies

NOTE: 25 per package.

Hand Cutting Torch Repair Kits

Stock No.	Use with Torches
15772	DG900 & SC900 Series
SC100	DG100, 200 & 300 Series; SC100, 200,300 Series

Cutting Assembly Repair Kits

Stock No.	Use with Cutting Assemblies
SC101	Heavy Duty DG200 & SC Series
MC101	Medium Duty DG100 & MC Series

The Little Torch™ Valve Assembly & Packing Replacements

Stock No.	
7345	Oxygen Valve Assembly
7346	Fuel Valve Assembly
7348	PTFE Packing for Valve Assembly (for Oxy and Fuel Valves)

Torch Valve Replacements (2 valves per kit)

Stock No.	Use with Torch Handles & Hand Cutting Torches
LW17	WH100, MW5, MW5A, CW5A & AW10A
G729-5A	WH200, SW1A, SW1B Series, 780 Series Machine Torch
AW11A	AW1A
LW14B-1	DG900, DG200, SC200, SC900 Series Hand Torches, 770 Series Machine Torches, SW1 Series Torch Handles

Torch Head Replacement Nut

Stock No.	Use with Cutting Assemblies
G690-8	MC509, CC509P, AC309, MC505
G900-41A	Use with All SC Series Hand and Machine Torches & Cutting Torch Assemblies SC900 Series, SC772A, SC782A, SC781A, SC780A, SC771, SC770, SC509, SC300 Series Torches, SC300 Series Torches, SC100 Series Torches, SC300 Cutting Assembly
15555	Use with All Heavy Duty Dual Guard Hand Torch & Cutting Assemblies DG900 Series, DG209 Cutting Assembly, DG205 Cutting Assembly, DG300 Series, DG200 Series, DG100 Series
15720-1	Use with DG109A Cutting Assembly - DG109A



SC100



SC101



7345



7348



7346



G729-5A
LW14B-1



LW17



AW11A



Cutting Tip Seat Grafitite® Packing Replacements	(1 Set Per Bag)
G691	"MC" Cutting Tips
G930	"SC" Cutting Tips



Torch Head
Replacement Nut
(Tip Nut)



Smith Equipment® The Little Torch™ Service Parts/Consumables

Jewelry Repair & Manufacture, Hobby & Crafts, Metal Sculpture, Glass Blowing, Plumbing, Electronics & Repair



23-1014



23-1001D

23-1001D Works with any fuel gas and oxygen. Includes 11-1101C torch, #3-7 curved tips, 8' (2.4m) hoses and instruction manual. Packaged in display box as shown ("B" hose connections fuel 9/16"-18-LH, Oxygen 9/16"-18-RH).

239-047B with BRITISH hose connections (Fuel G-3/8"-19 LH, Oxygen G 3/8"-19 RH). Tips included #3-7. Replacement British hose 8 ft. #13254-6-8.

239-048A with EUROPEAN hose connections (Fuel G-3/8"-19 LH, Oxygen G 1/4"-19 RH). Tips included #3-7. Replacement European hose 8 ft. #13254-7-8.

23-1013A with AUSTRALIAN hose connections (Fuel 5/8"-18-LH, Oxygen 5/8"-18 RH). Replacement Australian hose 8 ft. #13254-5-8.

Hoses may be connected to any standard oxy-fuel regulators (no adaptors required).

Outfit for Disposable Tanks

23-1014 Includes 249-499B preset oxygen regulator, 249-500B preset propane regulator, cylinder holder, 11-1101C torch, #5 tip, 8ft (2.4m) hoses and instruction manual. Allows maximum portability and may be used in locations where larger pressurized cylinders are not allowed.

Kit shown in inset photo above may be used with disposable propylene or propane and oxygen cylinders (Cylinders not included).

Disposable oxygen and fuel tanks may be purchased at most hardware locations. May not be used with LP Multi-Flame (Rosebud) tip.

23-1003B Includes 11-1101C torch, #3-7 tips, 30-15-520 acetylene regulator (for "B" 40 cubic foot tank), 30-20-540 oxygen regulator, reverse flow check valves, 8' (2.4m) covered hoses and instruction manual.

23-1003P Kit with regulator fitting for propane or larger industrial acetylene cylinders. Includes 11-1101C torch, #3-7 tips, 30-15-510 fuel regulator, 30-20-540 oxygen regulator, reverse flow check valves, 8' (2.4m) covered hoses and instruction manual.

23-1003 Kit with regulator fitting for acetylene (for "MC" tank) 10 cu. ft. cylinder. Includes 11-1101C torch, #3-7 tips, 30-15-200 fuel regulator, 30-20-540 oxygen regulator, check valves, 8' (2.4m) covered hoses and instruction manual.

23-1003B



OR



Smith Equipment® The Little Torch™ Service Parts/Consumables

Magnetic Torch Stand & Tip Organizer

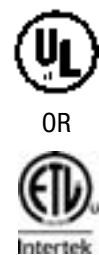
14014 Solid metal stand comes with holes drilled and numbered for #2-7 tips. Just a twist of the wrist removes the torch from the magnet. Magnetic clip mounts easily on Little Torch body (torch and tips sold separately).



Stock No.	Gas	Capacity	Height-Diameter
0C20	Oxygen	20 cu.ft.	17 3/4" - 5 1/4"
2329E	"MC" Acetylene	10 cu.ft	14 1/2" - 4 1/8"
13558	Propane	5 lb.	12 1/2" - 8"

The Little Torch™ has unmatched flexibility - it can be used with several fuels including acetylene, hydrogen, propane, propylene, or natural gas. It produces a perfectly controlled, completely stable flame hot enough to melt commercially weldable metals, glass and even ceramics. It may also be used with special heating tips to melt up to 3 oz. of gold or silver. Excellent for soldering platinum.

It's the complete works in a handy self-contained lightweight unit. These highly portable kits come complete with everything you need for your soldering or brazing operations. Kits include tanks, regulators, safety check valves, five tips, torch and hoses all in a handy carrying case. Oxygen and acetylene cylinders can be refilled at most welding supply stores (disposable LP tanks are not included). Kits weight less than 32 lbs.



Propane Caddy

23-1015P Propane Caddy Includes 13558 (5 lb.) refillable propane tank, 0C20 (20 cu.ft.) oxygen tank, 11 1101C torch with 8 ft. (2.4m) covered hoses, #3-7 tips, 30-20-540 oxygen regulator, 30-15-510 propane regulator, H698 pair reverse flow check valves, 13787A powder coated metal carrier and complete operation and instruction manual.



Propane Caddy

23-1010P Propane Caddy Includes 11-1101C torch, 8' (2.4m) covered hoses, #3-7 tips, 249-500 B preset propane regulator, 30-20-540 oxygen regulator, 0C20 oxygen cylinder (20 cu.ft.) 13493 caddy carrier, H698 pair check valves, and complete instruction manual. The 14.1 oz. disposable LP tank provides up to 15 hours of running time with #5 tip.

Disposable tanks not included.



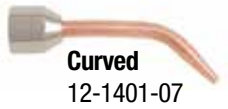
Acetylene Caddy

23-1004A Acetylene Caddy Includes 11-1101C torch, #3-7 tips, 30-15-200 acetylene regulator, 30-20-540 oxygen regulator, H698 pair reverse flow check valves, 8' (2.4m) covered hoses, 0C20 (20 cu.ft.) oxygen cylinder, 2329E (10 cu. ft.) acetylene cylinder, 13493 caddy carrier and instruction manual.





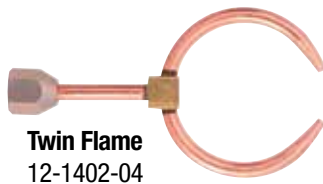
Smith Equipment® The Little Torch™ Service Parts/Consumables



Curved
12-1401-07



Straight
129-124-04



Twin Flame
12-1402-04

Sapphire Tips

Due to the extraordinary small orifice diameter of tips sizes #2-3, tips are fitted with a laser drilled synthetic sapphire to assure accurate gas flow and consistent flame characteristics.

All tips are 100% flame tested.



Flexible Tip Extension

For customizing angle and distance from handle.

Stock No.
2327-3SP

Length
3 in. (76 mm)

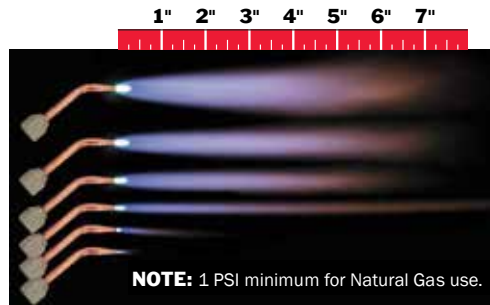
Size	Curved	Straight	Use With	Orifice Dia.	Drill Size	Gas Pressure (PSI)		Gas Consumption (CFH)			Capacity
						Oxygen	Fuel	Fuel	Oxygen	BTU/hr	
#2	12-1401-02	N/A	Acetylene, Hydrogen Only	0.006	97	2	2	0.09	0.11	130	N/A
#3	12-1401-03	N/A	Any Fuel Gas	0.011	85	4	4	0.78	0.94	1,150	Up to 1/8"
#4	12-1401-04	129-124-04		0.020	76	5	5	1.57	1.88	2,300	1/4"-3/8"
#5	12-1401-5	N/A		0.029	69	6	6	2.58	3.1	3,800	5/16"-5/8"
#6	12-1401-6	N/A		0.037	63	6	6	4.48	5.38	6,585	3/8"-3/4"
#7	12-1401-7	N/A		0.047	56	8	8	6.27	7.52	9,200	1/2"-7/8"

Size	Twin Flame	Use With	Orifice	Drill Size	Gas Pressure (PSI)		Gas Consumption (CFH)		BTU/hr	Brazing Capacity Copper Pipe
					Oxygen	Fuel	Fuel	Oxygen		
#4	12-1402-04	Any Fuel Gas	0.02	76	5	5	2.91	3.49	4,300	1/4"-5/8"
#5	12-1402-05		0.029	69	6	6	4.7	5.64	6,900	5/16"-3/4"
#6	12-1405-06		0.037	63	6	6	6.5	7.8	9,550	3/8"-7/8"



Twin Flame

Note: All values determined using acetylene gas.



Approximate flame sizes at neutral mixture (oxygen/acetylene)

NOTE: 1 PSI minimum for Natural Gas use.

Heating Tips

Stock No.	Fuel	Flame Average BTU/hr	Gas Pressure (PSI)		Length	Gas Consumption (CFH)	
			Oxygen	Fuel		Fuel	Oxygen
13-662	Acetylene	6,615	14	10	6" (153mm)	5	4.5
	Hydrogen	10,800				9	36.0
13717	Propane	3,497	14	10	6" (153mm)	5	1.4
	Natural Gas	2,300				7	5

Note: Heating tips not for use with disposable oxygen tanks.



Acetylene **13-662**
Melts up to 3 oz. Gold or Silver



Propane or Nat. Gas **13-717**
Melts up to 3 oz. Gold or Silver



Smith Equipment® Quickbraz® Oxy-Fuel Outfits Refridgeration Outfits/Airconditioning



23-5005A
Adapts to A or B Style
Regulator Connections



S6
Single Flame Tip



14711
Heating Tip



T7
Twin Flame Tip



C2
"C" Style Tip



23-5004A

Caddy Kit Tips supplied
brazes up to 1-5/8" (41mm)
diameter pipe fits 10 cu.ft.
"MC" acetylene and 20 cu.
Ft. "R" oxygen tanks.

Quickbraz® Tip Data Chart

Stock No.	Gas Pressure (PSI)		Gas Consumption (CFH)		BTU Output/Hr	Brazing Capacity Copper Pipe	No. Flames
	Oxygen	Fuel	Fuel	Oxygen			
S4	8	8	0.8	0.6	1,120	1/4"-3/8"	1
S6	8	8	3.2	3.4	7,360	1/2"-3/4"	1
T7	8	8	9.8	7.6	12,200	5/8"-1-3/8"	2
C2*	7	5	6.4	7.2	12,350	1/2"-1-1/8"	5
14711*	12	10	14.7	9.7	13,760	1/2"-1-5/8"	4

*For use with Oxy-Acetylene only.

Kit Stock No.	Torch Assembly	Single Flame Tips	Twin Flame Tip	"C" Style Tip	Heating Tip	Regulators	Accessories
23-5004A	11-1114 "B" -9/16" Hose Fittings	S6	T7	C2	14711	30-20-540 30-15-200	Cylinder Caddy Carrier, Striker, Check Values & Operations Manual (tanks not included)
23-5005A	11-1116 "A" -3/8" Hose Fittings					None	"A" to "B" Hose Adaptors & Operations Manual (hose may be attached to "A" or "B" Regulator Fittings)

Note: All outfits include complete instruction and operation manual. Outfits with regulators, include reverse flow safety check valves.



Brazes solenoid and expansion valves so quickly that heat is unable to transfer to internal parts, protecting them from damage and eliminating the need for messy and costly heat sink materials.



Twin flame tips solder coil return bends quickly and evenly; concentrated heat will not heat and loosen surrounding joints.



Twin flame "C" style tips quickly braze reversing valves without burning internal components.



Revolutionary patented "C" style tips provide 100% flame wrap for fast, efficient, even heating. Heat is confined to the joint area protecting surroundings from burning. "C" style tips also assure even heat on the blind side of the braze joint.



Accumulators can be brazed extremely fast by simply laying the patented "C" style tip near the joint.





Smith Equipment® Handi-Heat® Acetylene-Air Kit Soldering, Brazing, Sweating & Heating



Acetylene-Air Handi-Heat® Outfit

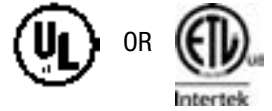
Handi-Heat® soldering outfits provide fast heat with acetylene and atmospheric air. Concentrated soft flame delivers 4700 degrees F heat just where it is needed for maximum performance on all types of soldering, heating, thawing and other applications. No oxygen tank required. Tough NE180A torch handle is built to last – machined from solid brass. Unlike plastic torches, it is not sensitive to temperature changes. Full length fluted handle provided firm comfortable grip. Needle valve provides excellent flame adjustment. Easy to operate. Just hold torch and set flame with one hand.

Handi-Heat soldering tips have Smith's famous Slip-in design. Seats perfectly by hand... no wrench needed! "O" ring provides tight gas seal and allows operator to rotate tip to any position. All tips and torch body are nickel plated. Sturdy single stage regulator provides steady and sensitive gas regulation for maximum torch performance.

NE835A

Outfit No.	Torch Handle	Tips	Regulator	Fits Tanks	Accessories
NE835A	NE180A	NE180-1, NE180-2, NE180-3	30-15-520 (CGA520)	"B" 40 cu. ft.	RL121 12.5 ft. (3.8m) Hose N113A Lighter

Note: Torch does not require check valves or flashback arrestors.



Air/Acetylene Torch & Tips



NE180A
Length-5-3/8"(130mm)
Weight 8-1/4 oz.

NE180A Torch Handle
1 Year Warranty
Use with acetylene gas. Machined from solid, brass. Hose connections 9/16"-18 LH thread, "B". Fits R12 or R14D hose Connections.

NE180A Torch Handle
1 Year Warranty
Burns acetylene with atmospheric air. Ideal for sweating copper joints up to 6" (152mm) in diameter, soldering, leading, thawing, heating and straightening.

Air/Acetylene Tips



NE180-4
Length-8" (230mm)
Weight 3-1/2 oz.

NE180-4 Extra Large Tip
Use for fast paint burning, heavy soldering and heating. Replacement Orifice No. L704-6.



NE180-3
Length 7-5/8" (203mm)
Weight 3-1/4 oz.

NE180-3 Large Tip
Use for pipe thawing, light brazing and silver soldering. Replacement Orifice No. L703-6.



NE180-2
Length 6-7/8" (175mm)
Weight 2-1/2 oz.

NE180-2 Medium Tip
For all types of soft soldering, body leading, etc. Replacement Orifice No. L702-6.



NE180-1
Length 6-1/8" (156mm)
Weight 1-7/8 oz.

NE180-1 Small Tip
For fine instrument work, auto radiators, etc. Replacement Orifice No. L701-6



NE180-0
Length 4-3/4" (121mm)
Weight 1-3/4 oz.

NE180-0 Fine Tip
For jewelry, small tube and electronics soldering. Replacement Orifice No. L711-6



NE180-00
Length 4-3/4" (121mm)
Weight 1-3/4 oz.

NE180-00 Super Fine Tip
For delicate jewelry and electronic soldering. Replacement Orifice No. L710-6

- No oxygen tank needed
- Clean, economical heat
- No wrench needed-tips are hand tightened
- One-handed flame adjustment
- 360 degree Tip turning radius
- Tough all brass body
- Smooth turning needle valve
- Rugged tips
- Nickel plated for added heat resistance
- Fuel pressure setting: 12-14 PSIG

Tip No	Flame Opening		Flame Inner Cone Length		Consumption SCFH	BTU Output
	Inch	mm	Inch	mm		
NE180-4	3/8"	10	1-3/4"	45	22.8	32,900
NE180-3	1/4"	6	1-1/2"	38	9	13,000
NE180-2	3/16"	5	1-1/4"	32	5.2	7,500
NE180-1	9/64"	3.6	3/4"	19	2.8	4,000
NE180-0	3/32"	2.4	1/4"	6	1.5	2,200
NE180-00	1/16"	1.7	1/8"	3	0.5	720



Smith Equipment® Silver Smith™ Acetylene-Air Kit

Soldering, Brazing, Sweating & Heating



Silver Smith™

Designed for jewelers, silver smiths and hobbyists (excellent choice for light brazing and soldering). Air-fuel torches deliver the ultimate in quality and flame control. The all metal torch provides strength and long life, while precision jeweled orifice tips produce a soft, consistent flame. The Silver Smith™ torch system is designed to work with air and acetylene gas.

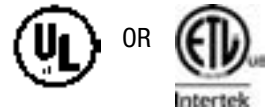
Feature Benefits

- Nickel plated brass handle for strength and long service
- Heavy duty industrial regulators for added safety and service
- Synthetic sapphire orifices provide consistent accurate flames control, and are easily replaced if obstructed.

239-193 Air/Acetylene Kit

Outfit No.	Torch Handle	Tips	Regulator	Fits Tanks	Accessories
239-193	NE180A	NE180-00	30-15-520 (CGA520)	"B" 40 cu. ft.	RL121 12.5 ft. (3.8m) Hose N113A Lighter

Note: Torch does not require check valves or flashback arrestors.



Air/Acetylene Torch & Tips



NE180A
Length-5-3/8" (130mm)
Weight 8-1/4 oz.

NE180A Torch Handle
1 Year Warranty
Use with acetylene gas. Machined from solid, brass. Hose connections 9/16"-18 LH thread, "B". Fits R12 or R14D hose Connections.

NE180A Torch Handle
1 Year Warranty
Burns acetylene with atmospheric air, soldering and heating.

- No oxygen tank needed
- Clean, economical heat
- No wrench needed-tips are hand tightened
- One-handed flame adjustment
- 360 degree Tip turning radius
- Smooth turning needle valve
- Rugged tips
- Fuel pressure setting: 12-14 PSIG all tip sizes

Air/Acetylene Tips



NE180-4
Length-8" (230mm)
Weight 3-1/2 oz.

NE180-4 Extra Large Tip
Replacement Orifice No. L704-6.



NE180-3
Length 7-5/8" (203mm)
Weight 3-1/4 oz.

NE180-3 Large Tip
Replacement Orifice No. L703-6.



NE180-2
Length 6-7/8" (175mm)
Weight 2-1/2 oz.

NE180-2 Medium Tip
Replacement Orifice No. L702-6.



NE180-1
Length 6-1/8" (156mm)
Weight 1-7/8 oz.

NE180-1 Small Tip
Replacement Orifice No. L701-6



NE180-0
Length 4-3/4" (121mm)
Weight 1-3/4 oz.

NE180-0 Fine Tip
Replacement Orifice No. L711-6



NE180-00
Length 4-3/4" (121mm)
Weight 1-3/4 oz.

NE180-00 Super Fine Tip
Replacement Orifice No. L710-6

Tip No	Flame Opening		Flame Inner Cone Length		Consumption SCFH	BTU Output
	Inch	mm	Inch	mm		
NE180-4	3/8"	10	1-3/4"	45	22.8	32,900
NE180-3	1/4"	6	1-1/2"	38	9	13,000
NE180-2	3/16"	5	1-1/4"	32	5.2	7,500
NE180-1	9/64"	3.6	3/4"	19	2.8	4,000
NE180-0	3/32"	2.4	1/4"	6	1.5	2,200
NE180-00	1/16"	1.7	1/8"	3	0.5	720





Portable Engine Drive Service Parts

Note: Number in (parenthesis) following the order number denotes quantity needed of particular component.

Model	Serial # Effective	Engine Model	Ignition/ Start Switch #	Brushes/ Brush Assy #	Idle Solenoid #	230 Volt Plug #	Rheostat/ Pot #	Module (Idle) #
Blue Charger™	JJ377166	Onan	172 070	126 984(3)	106 977	—	081 712	142 725
Blue Charger™ NT	KH477915	Onan	176 606	126 984(3)	186 308	119 172	081 712	See manual
Blue Star® 145/145 DX	LE366434	Kohler	Engine Mfg	493 509(1)	218 794	213 380	241 165	201 936
Blue Star® 185/185 DX	LE366294	Honda/Kohler	Engine Mfg	493 509(1)	218 794	213 380	241 165	201 936
Blue Star® 3500	KH519597	Honda/Kohler	Engine Mfg	493 509(1)	—	—	494 618	—
Blue Star® 6000	KH467216	Honda/Kohler	Engine Mfg	493 509(1)	—	—	See manual	—
Bobcat™ 225	LE294172	Kohler/Robin	217 680	205 725(1)	Engine Mfg	119 172	233 060	201 936
Bobcat™ 225D	KB032454	Deutz/Rugg.	172 070	126 984(2)	149 618	119 172	205 839	142 725
Bobcat™ 225D Plus	KG076022	Deutz/Rugg.	176 606	See manual	See manual	119 172	205 839	See manual
Bobcat™ 225G	JK561993	Onan	172 070	126 984(2)	151 485	119 172	205 839	189 742
Bobcat™ 225G Plus	KE582332	Kohler	176 606	126 984(2)	199 530	119 172	205 839	189 742
		Onan	See manual	126 984(2)	165 810	119 172	205 839	189 742
Bobcat™ 225 NT	KH329624	Kohler	See manual	See manual	See manual	119 172	See manual	See manual
		Onan	See manual	See manual	See manual	119 172	See manual	See manual
Bobcat™ 250	LE237205	Kohler/Robin	217 680	205 725(1)	Engine Mfg	119 172	233 060	201 936
Bobcat™ 250 NT	LB097734	Kohler	See manual	See manual	199 530	119 172	233 060	201 936
		Onan/Robin	See manual	See manual	See manual	119 172	233 060	201 936
Bobcat™ 250 D NT	LC357432	Kubota	See manual	205 725(1)	248 995	119 172	233 060	212 062
Bobcat™ 3 Phase	LE295787	Kohler	See manual	205 725(1)	Engine Mfg	119 172	233 060	201 936
Miller Legend®	JH242114	Onan	172 070	126 984(3)	106 977	See manual	081 712	142 725
Miller Legend® NT	KH329624	Onan	176 606	126 984(3)	See manual	119 172	081 712	See manual
Miller Legend® 301G	KH329624	Kohler	176 606	205 725(1)	Engine Mfg	119 172	See manual	—
Miller Legend® 302	KH329624	Kohler	217 680	205 725(1)	Engine Mfg	119 172	See manual	—
Trailblazer® 250G	JG018501	Onan	See manual	126 984(3)	See manual	025 234	072 462	See manual
Trailblazer® 251	KG160691	Onan	176 606	126 984(3)	165 810	025 234	072 623	See manual
Trailblazer® 251 NT	KJ003470	Onan	176 606	126 984(3)	165 810	119 172	072 623	216 273
Trailblazer® 275 DC/302	LE246322	Kohler/Robin	217 680	205 725(1)	Engine Mfg	119 172	See manual	—
Trailblazer® 280 NT	LA095390	Kohler	176 606	126 984(3)	Engine Mfg	119 172	072 623	216 273
		Onan	176 606	126 984(3)	165 810	119 172	072 623	216 273
Trailblazer® DC	LB159073	Onan	176 606	205 725(1)	165 810	119 172	See manual	—
		Robin	176 606	205 725(1)	165 810	119 172	See manual	—
Trailblazer® 301 G	LB159073	Kohler	176 606	205 725(1)	199 530	119 172	See manual	—
		Onan	176 606	205 725(1)	165 810	119 172	See manual	—
		Robin	176 606	205 725(1)	165 810	119 172	See manual	—
Trailblazer® 300 D NT	KJ022682	Kubota	176 606	126 984(3)	See manual	119 172	072 462	—
Trailblazer® 301 D	LC119875	Kubota	176 606	205 725(1)	248 995	119 172	See manual	—
Wildcat™ 200	LJ450001H	Subaru	217 680	493 509(1)	—	119 172	238 905	189 742
Wildcat™ 225G	JJ367046	Onan	172 070	126 984(4)	—	119 172	205 839	189 742

Portable Engine Drive Tune-Up Components

Engine Drive	Engine Model	Tune-Up Kit #	Oil Filter #	Air Filter #	Air Filter Pre-Cleaner #	Spark Plug #	Battery
Blue Charger™	Onan Performer P218	137 046	065 251	064 617	065 653	065 709(2)	GP 58
Blue Charger™ NT	Onan Performer P218	137 046	065 251	064 617	065 653	065 709(2)	GP 58
Blue Star® 145	Kohler CS10TG	221 581	—	221 579	221 580	203 960	—
Blue Star® 145 DX	Kohler CS10STG	221 584	—	221 582	221 583	203 960	GP U1
	Yamaha MZ300	258 078	—	258 077	—	203 960	GP U1
Blue Star® 185	Honda GX390	220 305	—	220 303	220 304	190 108	—
Blue Star® 185 DX	Kohler CS12STG	221 584	—	221 582	221 583	203 960	GP U1
	Yamaha MZ360	258 078	—	258 077	—	203 960	GP U1
Blue Star® 3500	Honda GX270	—	—	190 109	—	190 108	U1
	Kohler Command CS8.5TG	—	—	203 952	203 954	203 960	—
Blue Star® 6000	Honda GX390	—	—	220 303	220 304	190 108	U1
	Kohler Command CS12STG	—	—	203 952	203 954	203 960	—
Bobcat™ 225/250 (Rear engine)	Kohler Command CH23/CH680	230 015	066 698	230 016	230 017	067 007(2)	GP 58
Bobcat™ 225/250 (Front Engine)	Kohler Command CH730	230 015	066 698	230 016	230 017	067 007(2)	GP 58
	Subaru EH65	199 062	198 754	198 755	With Air Filter	198 777(2)	GP 58
	Kohler Command CH730LP	252 838	066 698	067 272	067 273	067 007(2)	GP 58
Bobcat™ 250 EFI (Rear Engine)	Kohler Command ECH730	246 115	066 698	230 016	230 017	067 007(2)	GP 58
Bobcat™ 250 EFI (Front Engine)	Kohler Command ECH730	246 115	066 698	230 016	230 017	067 007(2)	GP 58
Bobcat™ 225	Kohler Command CH23 ⁸	230 015	066 698	230 016	230 017	067 007(2)	GP 58
	Kohler Command CH20	180 096	066 698	067 272	067 273	067 007(2)	GP 58
	Robin EH 64/65	199 062	198 754	198 755	With Air Filter	198 777(2)	GP 58
Bobcat™ 225D/225D Plus	Deutz/Rugg. MD-151	—	066 702	066 843	066 842	—	(See note ⁴)
Bobcat™ 225G/225G Plus	Onan Performer P-216	137 046	065 251	064 617	065 653	065 709(2)	(See note ⁵)
Bobcat™ 225G Plus	Kohler Command CH18	180 096	066 698	067 272	067 273	067 007(2)	GP 58
Bobcat™ 225 NT	Kohler Command CH18/CH20	180 096	066 698	067 272	067 273	067 007(2)	GP 58
	Onan Performer P-216	137 046	065 251	064 617	065 653	065 709(2)	GP 58
Bobcat™ 250	Kohler Command CH23 ⁹	230 015	066 698	230 016	230 017	067 007(2)	GP 58
	Kohler Command CH20/CH730	180 096	066 698	067 272	067 273	067 007(2)	GP 58
	Robin EH 64/65	199 062	198 754	198 755	With Air Filter	198 777(2)	GP 58
Bobcat™ 250 NT	Kohler Command CH20	180 096	066 698	067 272	067 273	067 007(2)	GP 58
	Onan Performer P-220	137 046	065 251	064 617	065 653	065 709(2)	GP 58
	Onan Performer OHV220/Robin	199 062	198 754	198 755	With Air Filter	198 777(2)	GP 58
Bobcat™ 250 D NT	Kubota D722FB-25	206 421	187 443	187 441	—	—	GP 58
Bobcat™ 250 Diesel	Kubota D722FB-25	206 421	187 443	187 441	—	—	GP 58
Bobcat™ 250 Diesel (MD210321R)	Kubota D722	259 935	187 443	258 349	—	—	GP 58
Bobcat™ 3 Phase (Rear Engine)	Kohler Command CH23/CH680	230 015	066 698	230 016	230 017	067007(2)	GP 58
Bobcat™ 3 Phase (Front Engine)	Kohler Command CH730	230 015	066 698	230 016	230 017	067007(2)	GP 58
Bobcat™ 3 Phase	Kohler Command CH23 ¹⁰	230 015	066 698	230 016	230 017	067 007(2)	GP 58
	Kohler Command CH20/CH730	180 096	066 698	067 272	067 273	067 007(2)	GP 58
Miller Legend®	Onan Performer P-218	137 046	065 251	064 617	065 653	065 709(2)	GP 58 ⁶
Miller Legend® NT	Onan Performer P-218	137 046	065 251	064 617	065 653	065 709(2)	GP 58
Miller Legend® 301 G/302	Kohler Command CH23	230 015	066 698	230 016	230 017	067 007(2)	GP 58
	Kohler Command CH20	180 096	066 698	067 272	067 273	067 007(2)	GP 58

More Portable Engine Drives on pages 82 and 83.

¹Prior to serial number KG045632 use #065 629. Effective with serial number KG045632 use #067 283.

²Prior to serial number KF926822 use #107 297. Effective with serial number KF926822 use #164 353.

Note: Number in (parenthesis) following the order number denotes quantity needed of particular component.

³Prior to JB482410 = U1.

⁴D = GP 24; DPlus = GP 58.

⁵G = GP U1; GPlus = GP 58.

⁶Prior to KF959177 = 24.

⁷250 = GP 24; 251 = GP 58.

⁸Effective with LG070820.

⁹Effective with LG071468.

¹⁰Effective with LG073969.

¹¹Effective with LG074229.



Portable Engine Drive Tune-Up Components

Engine Drive	Engine Model	Fuel Filter #	Fuel Pump #	Fuel Cap #	Voltage Regulator #	Muffler Gasket #	Muffler #
Blue Charger™	Onan Performer P218	066 113	065 629	220 711*	064 846	065 313(2)	(See note ²)
Blue Charger™ NT	Onan Performer P218	066 113	065 629	220 711*	064 846	065 313(2)	183 434
Blue Star® 145	Kohler CS10TG	—	—	203 955	—	203 959	203 958 (N/A)
Blue Star® 145 DX	Kohler CS10STG	—	—	220 711	—	203 959	218 411
	Yamaha MZ300	247 590	—	220 711	—	203 959	218 411
Blue Star® 185	Honda GX390	—	—	198 522	—	—	—
Blue Star® 185 DX	Kohler CS12STG	—	—	220 711	—	203 959	218 411
	Yamaha MZ360	247 590	—	220 711	—	203 959	218 411
Blue Star® 3500	Honda GX270	—	—	198 522	—	—	—
	Kohler Command CS8.5TG	—	—	203 955	—	203 959	203 958 (N/A)
Blue Star® 6000	Honda GX390	—	—	198 522	—	—	—
	Kohler Command CS12STG	—	—	203 955	—	203 959	203 958 (N/A)
Bobcat™ 225/250 (Rear engine)	Kohler Command CH23/CH680	215 984	190 248	220 711*	190 249	189 477(2)	228 681
Bobcat™ 225/250 (Front Engine)	Kohler Command ECH730	215 984	190 248	220 711*	190 249	189 477(2)	249 313
	Subaru EH65	237 857	198 756	220 711*	244 143	261 651(2)	249 314
	Kohler Command CH730LP	—	—	—	190 249	189 477(2)	249 313
Bobcat™ 250 EFI (Rear Engine)	Kohler ECH730	246 110	190 248	220 711*	190 249	189 477(2)	245 396
		246 112	—	—	—	—	—
Bobcat™ 250 EFI (Front Engine)	Kohler Command CH730LP	246 110	—	220 711	—	189 477(2)	249 741
		246 112	—	—	—	—	—
Bobcat™ 225	Kohler Command CH23	215 984	190 248	220 711	190 249	189 477(2)	228 681
	Kohler Command CH20	215 984	190 248	220 711	190 249	189 477(2)	228 681
	Robin EH 64/65	215 984	198 756	220 711	198 778	217 441(2)	228 680
Bobcat™ 225D/225D Plus	Deutz/Rugg. MD-151	066 893	—	220 711	—	—	—
Bobcat™ 225G/225G Plus	Onan Performer P-216	066 113	(See note ¹)	220 711	064 846	065 313(2)	107 297/164 353 (Plus)
Bobcat™ 225G Plus	Kohler Command CH18	215 984	190 248	220 711	190 249	189 477(2)	173 065
Bobcat™ 225 NT	Kohler Command CH18/CH20	215 984	190 248	220 711	190 249	189 477(2)	183 435
	Onan Performer P-216	066 113	067 283	220 711	064 846	065 313(2)	183 434
Bobcat™ 250	Kohler Command CH23	215 984	190 248	220 711	190 249	189 477(2)	228 681
	Kohler Command CH20/CH730	215 984	190 248	220 711	190 249	189 477(2)	228 681
	Robin EH 64/65	215 984	198 756	220 711	198 778	217 441(2)	228 680
Bobcat™ 250 NT	Kohler Command CH20	215 984	190 248	220 711	190 249	189 477(2)	183 435
	Onan Performer P-220	066 113	067 283	220 711	064 846	065 313(2)	183 434
	Onan Performer OHV220/Robin	237 857	198 756	220 711	198 778	065 313(2)	204 841
Bobcat™ 250 D NT	Kubota D722FB-25	187 442	—	220 711	187 821	189 766	187 428
Bobcat™ 250 Diesel	Kubota D722FB-25	187 442	—	220 711	187 821	189 766	187 428
Bobcat™ 250 Diesel (MD210321R)	Kubota D722	213 858	—	220 711	—	192 517	257 880
		259 934	—	—	—	—	—
Bobcat™ 3 Phase (Rear Engine)	Kohler Command CH23/CH680	215 984	190 248	220 711	190 249	189 477(2)	(See note ³)
Bobcat™ 3 Phase (Front Engine)	Kohler Command ECH730	215 984	—	220 711*	—	189 477(2)	249 313
Bobcat™ 3 Phase	Kohler Command CH23	215 984	190 248	220 711	190 249	189 477(2)	228 681
	Kohler Command CH20/CH730	215 984	190 248	220 711	190 249	189 477(2)	228 681
Miller Legend®	Onan Performer P-218	066 113	065 629	220 711	064 846	065 313(2)	(See note ²)
Miller Legend® NT	Onan Performer P-218	066 113	067 283	220 711	064 846	065 313(2)	183 434
Miller Legend® 301 G/302	Kohler Command CH23	215 984	190 248	220 711	190 249	189 477(2)	207 458
	Kohler Command CH20	215 984	190 248	220 711	190 249	189 477(2)	207 458

More Portable Engine Drives on pages 82 and 83.

¹Prior to serial number KG045632 use #065 629. Effective with serial number KG045632 use #067 283.

²Prior to serial number KF926822 use #107 297. Effective with serial number KF926822 use #164 353.

³Prior to serial number MD210321R use #187 428. Effective with serial number MD210321R use #257 881.

Note: Number in (parenthesis) following the order number denotes quantity needed of particular component.

*Gas tanks are EPA compliant starting 2012 week 10 (March 5, 2012).

Contact Factory Service Department to ensure correct fuel cap is ordered.

Portable Engine Drive Tune-Up Components

Engine Drive	Engine Model	Tune-Up Kit #	Oil Filter #	Air Filter #	Air Filter Pre-Cleaner #	Spark Plug #	Battery
Renegade™ 180	Kohler 8.5, CS10, 12.0	221 581	—	221 579	221 580	203 960	GP U1
Trailblazer® 250G/251	Onan Performer P-220	137 046	065 251	064 617	065 653	065 709(2)	(See note ⁸)
Trailblazer® 251 NT	Onan Performer P-220	137 046	065 251	064 617	065 653	065 709(2)	GP 58
Trailblazer® 275 DC/302	Kohler Command CH23 ¹¹	230 015	066 698	230 016	230 017	067 007(2)	GP 58
	Kohler Command CH20/CH730	180 096	066 698	067 272	067 273	067 007(2)	GP 58
	Robin EH 64/65	199 062	198 754	198 755	With Air Filter	198 777(2)	GP 58
Trailblazer® 275 DC/302	Kohler Command CH23/CH680	230 015	066 698	230 016	230 017	067 007(2)	GP 58
Trailblazer® 275 DC/302 EFI	Kohler Command ECH730	246 115	066 698	230 016	230 017	067 007(2)	GP 58
Trailblazer® 275/325	Kohler Command CH730 w/e-gov	230 015	066 698	230 016	230 017	067 007(2)	GP 58
	Kohler Command CH730LP w/e-gov	252 838	066 698	067 272	067 273	067 007(2)	GP 58
Trailblazer® 275/325 EFI	Kohler Command ECH730 w/e-gov	246 115	066 698	230 016	230 017	067 007(2)	GP 58
Trailblazer® 280 NT	Kohler Command CH20	180 096	066 698	067 272	067 273	067 007(2)	GP 58
	Onan Performer P-220	137 046	065 251	064 617	065 653	065 709(2)	GP 58
Trailblazer® DC/301 G	Kohler Command CH20	180 096	066 698	067 272	067 273	067 007(2)	GP 58
Trailblazer® 301 G	Onan Performer P-220	137 046	065 251	064 617	065 653	065 709(2)	GP 58
	Onan Performer OHV220/Robin	199 062	198 754	198 755	With Air Filter	198 777(2)	GP 58
Trailblazer® 300 D NT/301 D	Kubota D722FB-25	206 421	187 443	187 441	—	—	GP 58
Trailblazer® 302 Diesel	Kubota D722FB-25	206 421	187 443	187 441	—	—	GP 58
Trailblazer® 302 Air Pak	Kohler CH750	238 743	066 698	238 744	238 745	238 746(2)	GP51R
Trailblazer® 325 Diesel	Kubota D902	259 935	187 443	258 349	—	—	GP 58
Wildcat 200	Subaru	240 585	—	240 597	—	240 598(2)	GP U1

¹Prior to serial number KG045632 use #065 629. Effective with serial number KG045632 use #067 283.

²Prior to serial number KF926822 use #107 297. Effective with serial number KF926822 use #164 353.

Note: Number in (parenthesis) following the order number denotes quantity needed of particular component.

³Prior to JB482410 = U1.

⁴D=GP 24; DPlus=GP 58.

⁵G=GP U1; GPlus=GP 58.

⁶Prior to KF959177=24.

⁷250=GP 24; 251=GP 58.

⁸Effective with LG070820.

⁹Effective with LG071468.

¹⁰Effective with LG073969.

¹¹Effective with LG074229.



Portable Engine Drive Tune-Up Components

Engine Drive	Engine Model	Fuel Filter #	Fuel Pump #	Fuel Cap #	Voltage Regulator #	Muffler Gasket #	Muffler #
Renegade™ 180	Kohler 8.5, CS10, 12.0	—	—	203 955	—	203 959	(See note ³)
Trailblazer® 250G/251	Onan Performer P-220	066 113	065 629	220 711	064 846	065 313(2)	(See note ²)
Trailblazer® 251 NT	Onan Performer P-220	066 113	067 283	220 711	064 846	065 313(2)	183 434
Trailblazer® 275 DC/302	Kohler Command CH23	215 984	190 248	220 711	190 249	189 477(2)	228 681
	Kohler Command CH20/CH730	215 984	190 248	220 711	190 249	189 477(2)	228 681
	Robin EH 64/65	215 984	198 756	220 711	198 778	217 441(2)	228 680
Trailblazer 275 DC/302	Kohler Command CH23/CH680	215 984	190 248	220 711*	190 249	189 477(2)	228 681
Trailblazer 275 DC/302 EFI	Kohler Command ECH730	246 110, 246 112	190 248	220 711*	190 249	189 477(2)	245 396
Trailblazer 275/325	Kohler Command CH730 w/e-gov	215 984	190 248	255 707	244 143	189 477(2)	249 313
	Kohler Command CH730LP w/e-gov	—	190 248	—	244 143	189 477(2)	249 313
Trailblazer 275/325 EFI	Kohler Command ECH730 w/e-gov	246110, 246112	190 248	255 707	244 143	189 477(2)	249 741
Trailblazer® 280 NT	Kohler Command CH20	215 984	190 248	220 711	190 249	189 477(2)	183 435
	Onan Performer P-220	066 113	067 283	220 711	064 846	065 313(2)	183 434
Trailblazer® DC/301 G	Kohler Command CH20	215 984	190 248	220 711	190 249	189 477(2)	183 435
Trailblazer® 301 G	Onan Performer P-220	066 113	067 283	220 711	064 846	065 313(2)	183 434
	Onan Performer OHV220/Robin	237 857	198 756	220 711	198 778	065 313(2)	204 841
Trailblazer® 300 D NT/301 D	Kubota D722FB-25	187 442	—	220 711	187 821	189 766	187 428
Trailblazer® 302 Diesel	Kubota D722FB-25	187 442	—	220 711	187 821	189 766	187 428
Trailblazer® 302 Air Pak	Kohler CH750	215 985	190 248	220 711	244 143	189 477	235 107
Trailblazer® 325 Diesel	Kubota D902	213 858, 259 934	—	220 711	—	192 517	257 880
Wildcat 200	Subaru	241 408	246 926	220 711	241 434	246 923	237 720

¹ Prior to serial number KG045632 use #065 629. Effective with serial number KG045632 use #067 283.

² Prior to serial number KF926822 use #107 297. Effective with serial number KF926822 use #164 353.

*Gas tanks are EPA compliant starting 2012 week 10 (March 5, 2012).

Contact Factory Service Department to ensure correct fuel cap is ordered.

Note: Number in (parenthesis) following the order number denotes quantity needed of particular component.

Industrial Engine Drive Tune-Up Components

Engine Drive	Engine Model	Oil Filter #	Air Filter #	Air Filter (Safety Element) #	Fuel Filter (Primary) #	Fuel Filter (Secondary) #	Engine Filter Kit	Battery
Big 40®	Continental F-163	061 760	017 309	—	—	—		GP 24
Big 40®G	Continental TM-20	114 559	017 309	—	047 420	—		GP 24
Big 40® Diesel	Continental TMD-20	064 983	020 319	—	192 744	—		GP 24
Big 40® Diesel (CAT)	CATERPILLAR 3024C/C2.2	202 166	192 938	192 939	192 744	202 167	246 985	GP 24
Big 50 Diesel™ (Prior to JK718458)	Continental TMD-27	064 983	020 319	—	062 342	065 346		GP 24
Big 50 Diesel™ (Eff. with JK718458)	Continental TMD-27	064 983	020 319	—	192 744	—		GP 24
Big Blue® 251D (Prior to KF846844)	Deutz F3L1011	066 212	126 880	—	192 744	066 217		GP 55
Big Blue® 251D (Eff. with KF846844)	Deutz F3L1011	067 265	126 880	—	192 744	066 217		GP 55
Big Blue® 251D (Eff. with LA153592)	Deutz F3L1011	067 265	197 676	197 679	192 744	066 217		GP 55
Big Blue® 300/Pro	Perkins 403C-15	197 899	197 676	197 679	213 858	197 997		GP 55
	CATERPILLAR C1.5	202 166	197 676	197 679	213 858	217 687	246 987	GP 55
	Deutz 2008	228 778	197 676	197 679	213 858	202 167	246 986	GP 55
	Mitsubishi-S4L2	242 882	197 676	—	252 781	213 858	252 782	GP 55
Big Blue® 302D	Deutz F3L1011	067 265	192 938	192 939	192 744	066 217		GP 24
Big Blue® 302P	Perkins 104.22	197 899	192 938	192 939	192 744	197 997		GP 24
Big Blue® 350 PipePro® (Prior to MA 250132E)	Mitsubishi-S4L2	242 882	197 676	197 679	213 858	242 881	244 711	GP 55
Big Blue® 350 PipePro® (Eff. s/n MA250132)	Mitsubishi-S4L2	242 882	197 676	197 679	213 858	252 781	252 782	GP 55
Big Blue® 350 PipePro®	Caterpillar C1.5	202 166	197 676	197 679	213 185	202 167	246 987	GP 55
Big Blue® 400D	Deutz F3L2011	067 265	192 938	192 939	192 744	066 217	246 988	GP 24
	Perkins 404.22	197 899	192 938	192 939	192 744	197 997	246 985	GP 24
Big Blue® 400D	Deutz F3L912	064 677	020 319	—	062 342	064 686		GP 24
Big Blue® 400 KX	Kubota V1505-EBG1	196 428	197 676	197 679	213 858	207 715		GP 55
Big Blue® 400 Pro	Mitsubishi S4L2	242 882	19676	N/A	213 858	252 781	244 711	GP 35
Big Blue® 400 Pro	Cat C1.5	202 166	197 676	197 679	213 858	217 687	246 987	GP 35
Big Blue® 400 Pro	Kubota 1505 E3BG	218 467	197 676	197 679	233 482	218 469	N/A	GP 35
Big Blue® 402D /502D/602D	Deutz F4L1011	067 265	192 938	192 939	192 744	066 217		GP 24
	Deutz F3L912	064 677	192 938	192 939	192 744	064 686		GP 24
Big Blue® 402P/502P/602P	Perkins 3.152	192 936	192 938	192 939	192 744	192 937		GP 24
Big Blue® 450 duo CST™	Mitsubishi S4L2	242 882	197 676	197 679	213 858	252 781	244 711	GP 35
Big Blue® 400/500 ECO Pro	Mitsubishi-S4L2	242 882	197 676	197 679	213 858	252 781		
Big Blue® 500 Pro (Deutz) ⁴	Deutz 2.9L4	067 265	192 938	192 939	255 764	255 765	262 459	GP 31
Big Blue® 500X	Deutz F3L912	064 677	192 938	192 939	192 744	064 686	246 989	GP 24
	Deutz F4L2011	067 265	192 938	192 939	192 744	066 217	246 988	GP 24
	Perkins 404.22T	197 899	192 938	192 939	192 744	197 997	246 985	GP 24
Big Blue® 600D	Deutz F4L912	064 677	020 319	—	062 342	064 686		GP 24
Big Blue® 700 Dual Pro ⁴	Deutz F4L2011	067 265	192 938	192 939	192 744	066 217	246 988	GP 24
Big Blue® 800 Duo Pro	Deutz TD2.94L4	67265	192983	192393	255764	255765	262459	GP 31
Big Blue® 800 Duo Pro Air Pak™	Deutz TD2.9L4	67265	192939	192939	255754	255765	262459	GP 31
Big Blue® 800 Pro Air Pak (Deutz) ⁴	Deutz 2.9L4	067 265	192 938	192 939	225 764	255 765	262 459	GP 31
Big Blue® Air Pak™ ¹	Deutz BF4M 2011	067 265	192 938	192 939	192 744	066 217	246 988	GP 24
Big Blue® Turbo	Deutz BF4M 2011	067 265	192 938	192 939	192 744	066 217	246 988	GP 24
Miller Air Pak™	Deutz F4L912	064 677	020 319	—	062 342	064 686		GP 24
Miller Du-Op™	Deutz F3L912/914	064 677	(See note ²)	(See note ³)	062 342	064 686	246 989	GP 24
PRO 300	CATERPILLAR 3013C/C1.5	202 166	197 676	197 679	213 858	202 167	246 987	GP 24
PipePro™ 304	Kubota DH905/1005	196 428	187 441	202 102	066 113	192 744	246 990	GP 55
Trailblazer®Pro 350	Kubota DH905/1005	196 428	187 441	202 102	066 113	192 744	246 990	GP 55

¹IR Compressor Filter Kit #246 991, Oil Filter #206 745, Separator Filter #206 747 and Air Filter #197 676.

²Prior to serial number LB043908 use #020 319. Effective with serial number LB043908 use #192 938.

³Effective with serial number LB043908 use #192 939.

⁴Single-Phase Plug #119 172, Three-Phase Plug #254 140.



Industrial Engine Drive Tune-Up Components

Engine Drive	Engine Model	Fuel Cap #	Blower/Fan Belt #	Alternator Belt #
Big 40®	Continental F-163	182 022	—	—
Big 40®G	Continental TM-20	182 022	118 156	—
Big 40® Diesel	Continental TMD-20	182 022	118 156	—
Big 40® Diesel (CAT)	CATERPILLAR 3024/C2.2	254 678	197 944	—
Big 50 Diesel™ (Prior to JK718458)	Continental TMD-27	182 022	118 156	—
Big 50 Diesel™ (Eff. with JK718458)	Continental TMD-27	182 022	118 156	—
Big Blue® 251D (Prior to KF846844)	Deutz F3L1011	182 022	066 213	—
Big Blue® 251D (Eff. with KF846844)	Deutz F3L1011	182 022	066 213	—
Big Blue® 251D (Eff. with LA153592)	Deutz F3L1011	182 022	066 213	—
Big Blue® 300/Pro	Perkins 403C-15	254 678	217 686	—
	CATERPILLAR C1.5	254 678	217 686	—
	Duetz 2008	254 678	228 780	—
	Mitsubishi-S4L2	254 678	242 883	—
Big Blue® 302D	Deutz F3L1011	254 678	067 266	—
Big Blue® 302P	Perkins 104.22	254 678	197 944	—
Big Blue® 350 PipePro® (Prior to MA 250132E)	Mitsubishi-S4L2	254 678	242 883	—
Big Blue® 350 PipePro® (Eff. s/n MA250132)	Mitsubishi-S4L2	254 678	242 883	—
Big Blue® 350 PipePro®	Caterpillar C1.5	254 678	217 686	—
Big Blue® 400D	Deutz F3L2011	254 678	216 959	—
	Perkins 404.22	254 678	197 944	—
Big Blue® 400D	Deutz F3L912	182 022	064 690	136 250
Big Blue® 400 KX	Kubota V1505-EBG1	254 678	218 468	—
Big Blue® 400 Pro	Mitsubishi S4L2	254 678	N/A	242 883
Big Blue® 400 Pro	Cat C1.5	254 678	N/A	217 686
Big Blue® 400 Pro	Kubota 1505 E3BG	254 678	N/A	218 468
Big Blue® 402D/502D/602D	Deutz F4L1011	254 678	067 266	—
	Deutz F3L912	254 678	066 271	—
Big Blue® 402P/502P/602P	Perkins 3.152	254 678	193 163	—
Big Blue® 450 duo CST™	Mitsubishi S4L2	254 678	N/A	242 883
Big Blue® 500 ECO Pro				
Big Blue® 500 Pro (Deutz)	Deutz 2.9L4	254 678	260 572	—
Big Blue® 500X	Deutz F3L912	254 678	066 271	—
	Deutz F4L2011	254 678	067 266	—
	Perkins 404.22T	254 678	197 944	—
Big Blue® 600D	Deutz F4L912	024 035	066 271	—
Big Blue® 700 Dual Pro	Deutz F4L2011	254 678	197 944	—
Big Blue® 800 Duo Pro	Deutz TD2.94L4	190 198	N/A	260 572
Big Blue® 800 Duo Pro Air Pak™	Deutz TD2.9L4	190 198	N/A	253 944
Big Blue® 800 Duo Air Pak (Deutz)	Deutz 2.9L4	254 678	260 572	—
Big Blue® Air Pak™ ¹	Deutz BF4M 2011	254 678	207 808	—
Big Blue® Turbo	Deutz F4L 2011	254 678	067 266	—
Miller Air Pak™	Deutz F4L912	024 035	066 271	—
Miller Du-Op™	Deutz F3L912/914	182 022	064 690	066 213
PRO 300	CATERPILLAR 3013C/C1.5	254 678	217 686	—
PipePro™ 304	Kubota DH905/1005	182 022	197 197	—
Trailblazer® Pro 350	Kubota DH905/1005	182 022	197 197	—

¹IR Compressor Filter Kit #246 991, Oil Filter #206 745, Separator Filter #206 747 and Air Filter #197 676.

²Prior to serial number LB043908 use #020 319. Effective with serial number LB043908 use #192 938.

³Effective with serial number LB043908 use #192 939.

Industrial Engine Drive Service Parts

Note: Number in (parenthesis) following the order number denotes quantity needed of particular component.

Model	Serial # Effective	Engine Model	Ignition/ Start Switch #	Brushes/ Brush Assy #	Idle Solenoid #	230 Volt Plug #	Rheostat/ Pot #	Module (Idle) #
Big 40®	71-602793	Continental	See manual	151 299(3)	See manual	025 234	See manual	—
Big 40®G	JG011369	Continental	172 070	151 299(3)	005 373	025 234	072 462	189 742
Big 40®WG	LA342228	WIS•CON	176 606	189 142(1)*	005 373	147 633 (N/A)	188 635	195 706
Big 40® Diesel	JG011369	Continental	See manual	151 299(3)	080 517	025 234	072 462	See manual
Big 40® Diesel (CAT)	LB057623	CATERPILLAR	176 606	189 142(1)*	198 624	147 633 (N/A)	188 635	195 706
Big 50® Diesel	JG011369	Continental	See manual	151 299(3)	080 517	025 234	072 462	See manual
Big Blue® 251D	JK587486	Deutz	See manual	151 299(3)	124 974	025 234	605 960	189 742
Big Blue® 300P	LE099775	Perkins	237 417	126 984(2)	080 517	119 172	193 118	214 761
Big Blue® 302D	LA067251	Deutz	176 606	189 142(1)*	174 064	147 633 (N/A)	188 635	195 706
Big Blue® 302P	LA067249	Perkins	176 606	189 142(1)*	198 624	147 633 (N/A)	188 635	195 706
Big Blue® 400	LC732100	Deutz	237 417	189 142(1)*	174 064	147 633 (N/A)	188 635	195 706
		Perkins	237 417	189 142(1)*	198 624	147 633 (N/A)	188 635	195 706
Big Blue® 400D	HK247676	Deutz	See manual	151 299(3)	—	025 234	605 960 (CC) 072 462 (CC/CV)	—
Big Blue® 400 KX	LE253191	Kubota	237 417	126 984(2)	Engine Mfg	—	193 118	214 761
Big Blue® 400 Pro	—	Cat C1.5	217 680	244 290	235 023	182 954	193 118	N/A
Big Blue® 400 Pro	—	Kubota 1505 E3BG	217 680	244 290	264 327	182 954	193 118	N/A
Big Blue® 400 Pro	—	Mitsubishi S4L2	217 680	244 290	242 538	182 954	193 118	N/A
Big Blue® 402D/502D/602D	KK114464	Deutz	176 606	189 142(1)*	See manual	147 633 (N/A)	188 635 (CC) See manual (CC/CV)	195 706
Big Blue® 402P/502P/602P	KJ284383	Perkins	176 606	189 142(1)*	See manual	147 633 (N/A)	188 635 (CC) 193 118 (CC/CV)	195 706
Big Blue® 450 duo CST™	—	Mitsubishi S4L2	217 680	244 290	242 538	176 335	N/A	N/A
Big Blue® 500D	LC585264	Deutz	237 417	189 142(1)*	—	147 633 (N/A)	188 635 (CC) 193 118 (CC/CV)	195 706
Big Blue® 500P	LE260460	Perkins	237 417	189 142(1)*	—	147 633 (N/A)	188 635 (CC) 193 118 (CC/CV)	219 848 (N/A)
Big Blue® 500 Pro	MD290001E	Deutz 2.9L4	217 680	189 142*	—	119 172	193 118	—
Big Blue® 600D	KA748844	Deutz	See manual	151 299(3)	—	025 234	072 462	—
Big Blue® Air Pak™	LC251836	Deutz	See manual	189 142(1)*	—	147 633 (N/A)	193 118	195 706
Big Blue® 800 Duo Pro	—	Deutz TD2.94L4	217 680	189 142	N/A	147 632	193 118	N/A
Big Blue® 800 Duo Pro Air Pak™	—	Deutz TD2.9L4	217 680	189 142	N/A	147 632	193 118	N/A
Big Blue® 800 Duo Air Pak™	MD360063E	Deutz 2.9L4	217 680	189 142*	—	147 633 (N/A)	193 118	—
Big Blue® Turbo	LC351172	Deutz	See manual	189 142(1)*	—	147 633 (N/A)	193 118	195 706
Miller Air Pak™	JJ338549	Deutz	See manual	151 299(3)	183 030	025 234	072 623	189 742
Miller Du-Op™	KK057228	Deutz	046 433	151 299(3)	—	197 442 (N/A)	035 897	—
PRO 300	LC732152	CATERPILLAR	237 417	126 984(2)	080 517	119 172	193 118	214 761
PipePro™ 304	KK057228	Kubota	176 606	See manual	192 196	119 172	See manual	—
Trailblazer® Pro 350	LA199438	Kubota	198 515	126 984(3)	192 196	119 172	035 897	216 273
Trailblazer® Pro 350D	LC047815	Kubota	176 606	205 725(1)	192 196	119 172	See manual	—

*Brush holder only — must order quantity of three brushes (#190 823) separately with part #189 142

MSW and LMSW Series Tongs and Tips

For your added convenience, spot welder tongs and tips can now be ordered through the Miller Service Parts business for use with the following models:

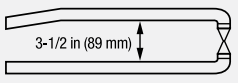


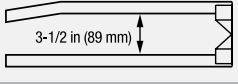

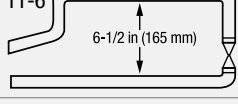


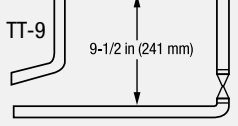


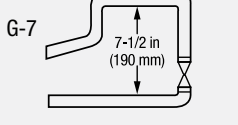



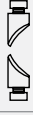
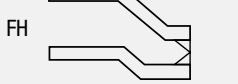
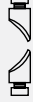
- MSW-41, MSW-41T, MSW-42, MSW-42T, LMSW-52 and LMSW-52T



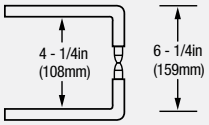
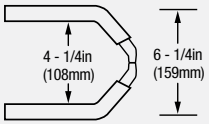
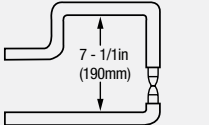
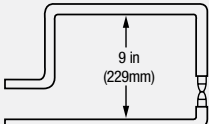
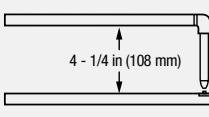
Gyro Bail #041 979
Supports the weight of the welder. Operates with boom and counterweight or from spring-loaded cable. Spot welds in any position.

Important Ordering Information










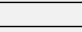


- To determine the correct tong reorder length, measure exposed tong length when installed in spot welder.
Removed tongs measure 2 inches longer than the listed chart length. For correct reorder length, deduct 2 inches from the removed tong.
- One set of tips is supplied with each set of tongs.
- Maximum welding capabilities are obtained with minimum tong length.
- Tips are made of RWMA Class 2 Alloy.

Tongs	6 in (152 mm)	12 in (305 mm)	18 in (457 mm)	Tips
Standard 	040 197	040 198	040 199	Standard 040 211  Flat 040 212 
MO Offset 	040 200	040 201	040 202	MO Offset 040 215 
TT-6 	—	040 203	040 204	Standard 040 211  Flat 040 212 
TT-9 	—	040 205	040 206	Standard 040 211  Flat 040 212 
G-7 		8 in (203 mm) 040 207		Standard 040 211  Flat 040 212 
FF 		8 in (203 mm) 040 208		FF 040 213 
FH 		5 in (127 mm) 040 209		FH 040 214 

PSW and SSW Series Tongs

Tongs	Description	6 in (152 mm)	12 in (305 mm)	18 in (457 mm)	Tips Included
	Standard 90° No. 1 MT No. 2 MT	040 218 —	040 219 —	040 220 041 001	040 223 040 308
	Standard 45° No. 1 MT No. 2 MT	— —	041 004 —	041 005 (N/A) 040 296	040 851 040 225
	TT-6W No. 2 MT	—	—	041 838	040 308
	TT-9W No. 2 MT	—	—	041 840	040 308
	SW-12	—	071 465 (N/A)	—	No. 1 Pointed 071 466 Top Flat Threaded 071 467 Bottom

PSW and SSW Series Tips

Tips	Description	Part #	Quantity	Where Used
	No. 1 MT (Pointed)	040 223	2 tips	Standard 90° No. 1 Tongs
	No. 1 MT (Offset)	040 224	2 tips	Standard 90° No. 1 Tongs
	No. 2 MT (Pointed)	040 308	2 tips	Standard 90° No. 2 Tongs, TT-6W Tongs, TT-9W Tongs
	No. 1 MT (Offset)	040 851	2 tips	Standard 45° No. 1 Tongs
	No. 1 MT (Offset)	040 226	2 tips	Standard 90° No. 1 Tongs
	No. 1 MT (Offset)	040 298	2 tips	Standard 90° No. 1 Tongs
	No. 2 MT (Offset)	040 225	2 tips	Standard 45° No. 2 Tongs
	No. 1 MT (Pointed)	071 466	1 tip for top tong	SW-12 Tongs
	Threaded (Flat)	071 343	1 tip for bottom tong	SW-12 Tongs (Optional)
	Threaded (Flat)	071 467	1 tip for bottom tong	SW-12 Tongs
	No. 1 MT (Flat Swivel Tip)	040 216	2 tips	Standard 90° No. 1 Tongs
	Adapter (Adapts No. 1 Morse Taper Tip to No. 2 Receptacle)	040 227	2 adapters	Standard 90° No. 2 Tongs, TT-6W Tongs (Top), TT-9W Tongs (Top)

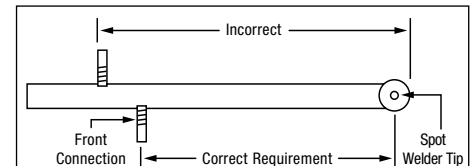
For your added convenience, spot welder tongs and tips can now be ordered through the Miller Service Parts business for use with the following models:

- PSW-1020 ATT and PSW-2020 ATT
- SSW-1020 ATT, SSW-2020 ATT and SSW-2040 ATT



Important Ordering Information

- To determine the correct tong reorder length, measure from the center of the spot weld tip back to the front water hose connection.



- Tongs and tips shown to the left can be used with all PSW and SSW model spot welders. Recommended maximum tong length is 18 in (457 mm). A limited group of special tongs are available, contact Miller Service Parts.
- Tong throat-height dimension for standard 90° and 45° tongs is 4-1/4 in (108 mm). Throat length is measured from the center of the spot tips to the front water hose connection on the tong.
- One set of tips is supplied with each set of tongs.
- Tips are made of RWMA Class 2 alloy.
- Maximum welding capabilities are obtained with minimum tong length.
- MT = Morse Taper
No. 1 Morse Taper diameter = 1/2 inch
No. 2 Morse Taper diameter = 5/8 inch



TIG Connectors

A-150/A-200 1-Piece Power Cable Connectors



194 722 / 194 723
50 mm Dinse-style gas thru for one-piece air-cooled torch.



195 378 / 195 379
50 mm Dinse-style for one-piece air-cooled torch.



105 257
Power cable adapter for one-piece A-150 torch.



45V62
Power cable adapter for one-piece A-200 torch.

A-150/A-200 2-Piece Power Cable Connector



129 527
50 mm Dinse-style for two-piece cable air-cooled torch.

W-225 Power Cable Connectors



195 380
50 mm Dinse-style gas thru with gas and water return lines for water-cooled torch.



195 377
50 mm Dinse-style with water return line for water-cooled torch.



45V11
Power cable adapter for water-cooled torch.



225 028
50 mm thread lock-style for water-cooled torch.

Machines	Connection Type	A-150 Power Cable Connector		A-200 Power Cable Connector		W-225 Power Cable Connector
		1-Piece	2-Piece	1-Piece	2-Piece	
TIG Machines						
Syncrowave® 200/210	50 mm Dinse, Gas Thru	194 722	129 527*	194 723	129 527*	195 380
Syncrowave® 250 DX/350 DX (Dinse)	50 mm Dinse	195 378	129 527	195 379	129 527	195 377
Syncrowave® 250 DX/350 DX (Stud)	1/2 in Stud	105 257	N/A	45V62	N/A	45V11
Maxstar® 150 STL/STH	25 mm Dinse, Gas Thru	195 234	127 836*	N/A	N/A	N/A
Dynasty® 200/350, Maxstar® 200/350	50 mm Dinse	195 378	129 527	195 379	129 527	195 377
Dynasty® 700, Maxstar® 700	50 mm Thread Lock	N/A	N/A	N/A	N/A	225 028
Multiprocess Machines						
Multimatic™ 200	25 mm Dinse, Gas Thru	195 234	127 836*	N/A	N/A	N/A
Dimension™ 302/452/NT 450/652	1/2 in Stud	105 257	N/A	45V62	N/A	45V11
Pipeworx	1/2 in Stud	105 257	N/A	45V62	N/A	45V11
XMT® 304/350	50 mm Dinse	195 378	129 527	195 379	129 527	195 377
XMT® 450	1/2 in Stud	105 257	N/A	45V62	N/A	45V11
Engine-Driven Machines						
Most Big Blue®, Trailblazer®, Bobcat®, Blue Star®, and Wildcat® models	1/2 in Stud	105 257	N/A	45V62	N/A	45V11
Big Blue® 450 Duo CST	50 mm Dinse	195 378	129 527	195 379	129 527	195 377
General Reference						
	25 mm Dinse, Gas Thru	195 234	N/A	N/A	N/A	N/A
	50 mm Dinse	195 378	129 527	129 527	195 379	195 377
	50 mm Dinse, Gas Thru	194 722	N/A	N/A	194 723	195 380
	50 mm Thread Lock	N/A	N/A	N/A	N/A	225 028
	1/2 in Stud	105 257	N/A	N/A	45V62	45V11
Other Adapter						
	Stud to Dinse Adapter	232 728	N/A	232 728	N/A	232 728

*Two-piece power cable connector is not gas thru.

Weldcraft® A-125 Series Hand-Held Air-Cooled Service Parts/Consumables

Formerly WP-9 Series



A-125
(WP-9)

Additional Torch Models



Note: Torches delivered may vary slightly from images shown.

Models		1-Piece Power Cable Standard Rubber		2-Piece Power Cable Rubber	
Old Model	New Name	12.5 ft (3.8 m)	25 ft (7.6 m)	12.5 ft (3.8 m)	25 ft (7.6 m)
WP-9	A-125	WP-9-12-R	WP-9-25-R	—	—
WP-9V	A-125 Valve	WP-9V-12-R	WP-9V-25-R	WP-9V-12-2	WP-9V-25-2
WP-9F	A-125 Flex	WP-9F-12-R	WP-9F-25-R	—	—
WP-9FV	A-125 Flex Valve	WP-9FV-12-R	WP-9FV-25-R	WP-9FV-12-2	WP-9FV-25-2
WP-9P	A-125 Pencil	WP-9P-12-R	WP-9P-25-R	—	—

V= Valve F=Flex FV=Flex Valve P=Pencil

Torch packages include torch body, handle, power cable, and long back cap (excluding the A-125 Pencil model).

Torch Bodies		Valves		Handles	
A-125	WP-9	—		Ribbed	H-100R
A-125 Valve	WP-9V	VS-2		Knurled	H-100
Torch Bodies Optional		Flex Head ONLY			
A-125 Flex	WP-9F	—	9F	Ribbed	105Z55R
A-125 Flex Valve	WP-9FV	VS-2	9F	Knurled	105Z55
A-125 Redhead Flex	WP-R9F	—	R9F		
A-125 Redhead Flex Valve	WP-R9FV	VS-2	R9F		

Power Cables					
Rubber		2-Piece		Mono Flex	
12.5 ft (3.8 m)	25 ft (7.6 m)	12.5 ft (3.8 m)	25 ft (7.6 m)	12.5 ft (3.8 m)	25 ft (7.6 m)
57Y01R	57Y03R	57Y01-2	57Y03-2	57Y01MF	57Y03MF
Replacement Gas Hose					
—	—	45V09R	45V10R	—	—

#AK1C Accessory Kit

Includes one long back cap, two collets (one collet per size: .040, 1/16), two collet bodies (one collet body per size: .040, 1/16), three alumina nozzles (one nozzle per size: 4, 5, 6), and two 7-inch 2% ceriated tungsten electrodes (one electrode per size: .040, 1/16).



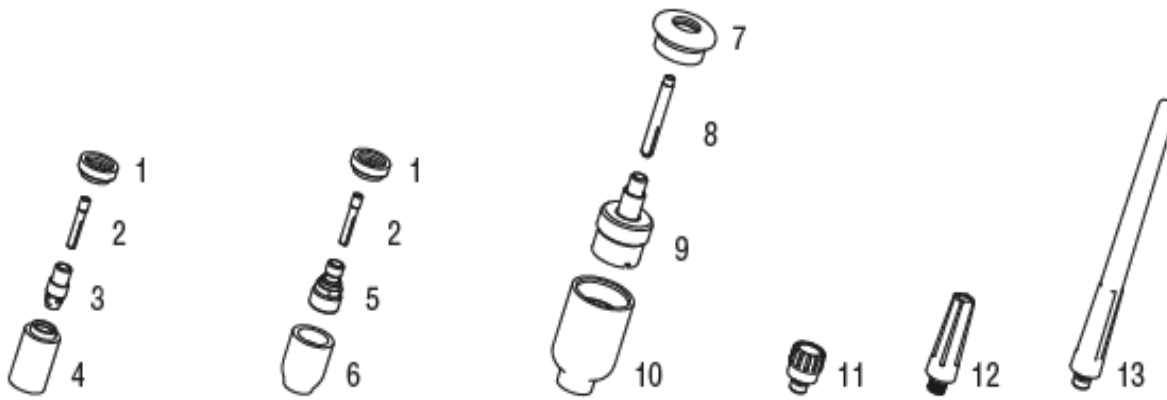
Cable Covers

- #WC-3-10 10 ft (3 m)
- #WC-3-22 22 ft (6.7 m)
- #WC-3-48 48 ft (14.6 m)



Extension Kit

- #EK-2-25-R 25 ft (7.6 m), Rubber



Consumables

Non-Gas Lens

Electrode Size - inch (mm)	.020 (0.5)		.040 (1.0)		1/16 (1.6)		3/32 (2.4)		1/8 (3.2)
1 Insulator (required)	598882		598882		598882		598882		598882
2 Collet	13N20		13N21		13N22		13N23		13N24
3 Collet Body	13N25		13N26		13N27		13N28		13N29
Nozzle Size - size # (inch)	3 (3/16)	4 (1/4)	5 (5/16)	6 (3/8)	7 (7/16)	8 (1/2)	10 (5/8)	12 (3/4)	Short
4 Alumina	—	13N08	13N09	13N10	13N11	13N12	13N13	—	—
* Lava	—	13N14	13N15	13N16	13N17	13N18	13N19	—	—
* Long Lava	796F70	796F71	796F72	796F73	—	—	—	—	—
* X-Long Lava	796F74	796F75	796F76	796F77	—	—	—	—	—

Gas Lens

Electrode Size - inch (mm)	.020 (0.5)		.040 (1.0)		1/16 (1.6)		3/32 (2.4)		1/8 (3.2)
1 Insulator (required)	598882		598882		598882		598882		598882
2 Collet	13N20		13N21		13N22		13N23		13N24
5 Gas Lens	45V41		45V42		45V43		45V44		45V45
Nozzle Size - size # (inch)	3 (3/16)	4 (1/4)	5 (5/16)	6 (3/8)	7 (7/16)	8 (1/2)	10 (5/8)	12 (3/4)	Short
6 Alumina Gas Lens	—	53N58	53N59	53N60	53N61	53N61S	—	—	—

Large Diameter Gas Lens

Electrode Size - inch (mm)	.020 (0.5)		.040 (1.0)		1/16 (1.6)		3/32 (2.4)		1/8 (3.2)
7 Insulator (required)	54N63-20		54N63-20		54N63-20		54N63-20		54N63-20
8 Collet	13N20L		13N21L		13N22L		13N23L		13N24L
9 Large Diameter Gas Lens	45V0204S		45V0204S		45V116S		45V64S		995795S
Nozzle Size - size # (inch)	3 (3/16)	4 (1/4)	5 (5/16)	6 (3/8)	7 (7/16)	8 (1/2)	10 (5/8)	12 (3/4)	Short
10 Large Dia. Gas Lens	—	—	—	57N75	—	57N74	53N88	53N87	53N89
* Large Dia. Gas Lens-L	—	—	—	57N75L	—	57N74L	53N88L	53N87L	—
* Large Dia. Gas Lens-XL	—	—	—	57N75XL	—	57N74XL	53N88XL	53N87XL	—
* Large Dia. Gas Lens-XXL	—	—	—	57N75XXL	—	57N74XXL	53N88XXL	53N87XXL	—

Back Caps

11 Short 41V33	12 Medium 41V35	13 Long 41V24
----------------	-----------------	---------------

*Not shown.

Weldcraft® A-150 Series Formerly WP-17 Series

Hand-Held Air-Cooled
Service Parts/Consumables



A-150
(WP-17)

Additional Torch Models



A-150 Flex
(WP-17F)



A-150 Flex Valve
(WP-17FV)



A-150 Flex
Redhead
(WP-R17F)



A-150 Flex
Valve Redhead
(WP-R17FV)



A-150 Valve
(WP-17V)



A-150 PSH
(WP-17-Positive
Stop Handle)



A-150 Valve PSH
(WP-17V-Positive
Stop Handle)

Note: Torches delivered may vary slightly from images shown.

Models		1-Piece Power Cable Standard Rubber		1-Piece Power Cable Mono-Flex™		2-Piece Power Cable Rubber	
Old Model	New Name	12.5 ft (3.8 m)	25 ft (7.6 m)	12.5 ft (3.8 m)	25 ft (7.6 m)	12.5 ft (3.8 m)	25 ft (7.6 m)
WP-17	A-150	WP-17-12-R	WP-17-25-R	WP-17-12-MF	WP-17-25-MF	WP-17-12-2	WP-17-25-2
WP-17V	A-150 Valve	WP-17V-12-R	WP-17V-25-R	—	WP-17V-25-MF	WP-17V-12-2	WP-17V-25-2
WP-17F	A-150 Flex	WP-17F-12-R	WP-17F-25-R	—	—	WP-17F-12-2	WP-17F-25-2
WP-17FV	A-150 Flex Valve	WP-17FV-12-R	WP-17FV-25-R	—	—	WP-17FV-12-2	WP-17FV-25-2
WP-R17FV	A-150 Flex Valve Redhead™	WP-R17FV-12-R	WP-R17FV-25-R	—	—	—	—
WP-17-PSH	A-150 PSH	—	WP-17-25-R-PSH	—	—	WP-17-12-2-PSH	WP-17-25-2-PSH
WP-17V-PSH	A-150 Valve PSH	WP-17V-12-R-PSH	WP-17V-25-R-PSH	—	—	—	WP-17V-25-2-PSH

V= Valve F=Flex FV=Flex Valve PSH=Positive Stop Handle (threaded handle)
Torch packages include torch body, handle, power cable, and long back cap.

Torch Bodies		Valves		Handles	
A-150	WP-17	—		Ribbed	H-100R
A-150 Valve	WP-17V	VS-2		Knurled	H-100
Torch Bodies Optional		Flex Head ONLY			
A-150 Flex	WP-17F	—	17F	Ribbed	105Z55R
A-150 Flex Valve	WP-17FV	VS-2	17F	Knurled	105Z55
A-150 Redhead Flex	WP-R17F	—	R17F		
A-150 Redhead Flex Valve	WP-R17FV	VS-2	R17F		
A-150 PSH	WP-17-PSH	—			
A-150 Valve PSH	WP-17V-PSH	VS-2			
Power Cables					
Rubber		2-Piece		Mono Flex	
12.5 ft (3.8 m)	25 ft (7.6 m)	12.5 ft (3.8 m)	25 ft (7.6 m)	12.5 ft (3.8 m)	25 ft (7.6 m)
57Y01R	57Y03R	57Y01-2	57Y03-2	57Y01MF	57Y03MF
Replacement Gas Hose					
—	—	45V09R	45V10R	—	—

#AK2C Accessory Kit

Includes one short back cap, three collets (one collet per size: .040, 1/16, 3/32), three collet bodies (one collet body per size: .040, 1/16, 3/32), three alumina nozzles (one nozzle per size: 4, 5, 6), and three 7-inch 2% ceriated tungsten electrodes (one electrode per size: .040, 1/16, 3/32).



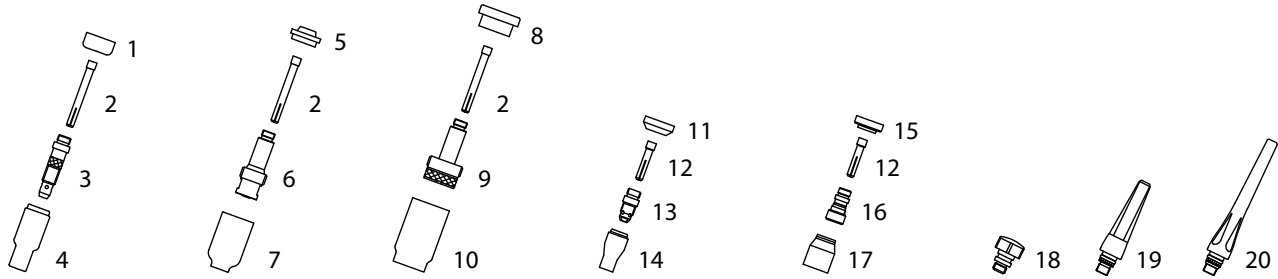
Cable Covers

#WC-3-10 10 ft (3 m)
#WC-3-22 22 ft (6.7 m)
#WC-3-48 48 ft (14.6 m)



Extension Kit

#EK-2-25-R 25 ft (7.6 m), Rubber



Consumables

Non-Gas Lens

Electrode Size - inch (mm)	.020 (0.5)	.040 (1.0)	1/16 (1.6)		3/32 (2.4)		1/8 (3.2)	
1 Insulator (required)	18CG	18CG	18CG		18CG		18CG	
2 Collet	10N21	10N22	10N23		10N24		10N25	
3 Collet Body	10N29	10N30	10N31		10N32		10N28	
Nozzle Size - size # (inch)	4 (1/4)	5 (5/16)	6 (3/8)	7 (7/16)	8 (1/2)	10 (5/8)	12 (3/4)	Short
4 Alumina	10N50	10N49	10N48	10N47	10N46	10N45	10N44	—
* Long Alumina	—	10N49L	10N48L	10N47L	—	—	—	—
* Lava	105Z43	105Z42	105Z44	105Z45	08N78	08N79	08N80	—
* Long Lava	12N03	105Z60	12N02	105Z61	—	—	—	—

Gas Lens

Electrode Size - inch (mm)	.020 (0.5)	.040 (1.0)	1/16 (1.6)		3/32 (2.4)		1/8 (3.2)	
5 Insulator (required)	54N01	54N01	54N01		54N01		54N01	
2 Collet	10N21	10N22	10N23		10N24		10N25	
6 Gas Lens	45V29	45V24	45V25		45V26		45V27	
Nozzle Size - size # (inch)	4 (1/4)	5 (5/16)	6 (3/8)	7 (7/16)	8 (1/2)	10 (5/8)	12 (3/4)	Short
7 Alumina Gas Lens	54N18	54N17	54N16	54N15	54N14	—	—	54N19
* Long Gas Lens	—	54N17L	54N16L	54N15	—	—	—	—

Large Diameter Gas Lens

Electrode Size - inch (mm)	.020 (0.5)	.040 (1.0)	1/16 (1.6)		3/32 (2.4)		1/8 (3.2)	
8 Insulator (required)	54N63	54N63	54N63		54N63		54N63	
2 Collet	10N21	10N22	10N23		10N24		10N25	
9 Large Diameter Gas Lens	45V0204	45V0204	45V116		45V64		995795	
Nozzle Size - size # (inch)	4 (1/4)	5 (5/16)	6 (3/8)	7 (7/16)	8 (1/2)	10 (5/8)	12 (3/4)	Short
10 Large Dia. Gas Lens	—	—	57N 75	—	57N74	53N88	53N87	53N89
* Large Dia. Gas Lens-L	—	—	57N75L	—	57N74L	53N88L	53N87L	—
* Large Dia. Gas Lens-XL	—	—	57N75XL	—	57N74XL	53N88XL	53N87XL	—
* Large Dia. Gas Lens-XXL	—	—	57N75XXL	—	57N74XXL	53N88XXL	53N87XXL	—

Stubby Non-Gas Lens

Electrode Size - inch (mm)	.020 (0.5)	.040 (1.0)	1/16 (1.6)		3/32 (2.4)		1/8 (3.2)	
11 Insulator (required)	18CG20	18CG20	18CG20		18CG20		18CG20	
12 Stubby Collet	—	10N22S	10N23S		10N24S		10N25S	
13 Stubby Collet Body	17CB20	17CB20	17CB20		17CB20		17CB20	
Nozzle Size - size # (inch)	4 (1/4)	5 (5/16)	6 (3/8)	7 (7/16)	8 (1/2)	10 (5/8)	12 (3/4)	Short
14 Stubby Alumina	13N08	13N09	13N10	13N11	13N12	13N13	—	—

Stubby Gas Lens

Electrode Size - inch (mm)	.020 (0.5)	.040 (1.0)	1/16 (1.6)		3/32 (2.4)		1/8 (3.2)	
15 Insulator (required)	17GLG20	17GLG20	17GLG20		17GLG20		17GLG20	
12 Stubby Collet	—	10N22S	10N23S		10N24S		10N25S	
16 Stubby Gas Lens	—	17GL040	17GL116		17GL332		17GL18	
Nozzle Size - size # (inch)	4 (1/4)	5 (5/16)	6 (3/8)	7 (7/16)	8 (1/2)	10 (5/8)	12 (3/4)	Short
17 Alumina Gas Lens	53N58	53N59	53N60	53N61	53N61S	—	—	—

Back Caps

18 Short 57Y04	19 Medium 300M	20 Long 57Y02
----------------	----------------	---------------

*Not shown.

Weldcraft® A-200 Series Hand-Held Air-Cooled Service Parts/Consumables

Formerly WP-26 Series



A-200 (WP-26)

Additional Torch Models



A-200 Flex (WP-26F)



A-200 Flex Valve (WP-26FV)



A-200 Valve (WP-26V)



A-200 Flex Redhead (WP-R26F)



A-200 Flex Valve Redhead (WP-R26FV)

Note: Torches delivered may vary slightly from images shown.

Models		1-Piece Power Cable Standard Rubber		2-Piece Power Cable Rubber
Old Model	New Name	12.5 ft (3.8 m)	25 ft (7.6 m)	25 ft (7.6 m)
WP-26	A-200	WP-26-12-R	WP-26-25-R	WP-26-25-2
WP-26V	A-200 Valve	WP-26V-12-R	WP-26V-25-R	WP-26V-25-2
WP-26F	A-200 Flex	—	WP-26F-25-R	WP-26F-25-2
WP-26FV	A-200 Flex Valve	WP-26FV-12-R	WP-26FV-25-R	WP-26FV-25-2

V= Valve F=Flex FV=Flex Valve

Torch packages include torch body, handle, power cable, and long back cap.

Torch Bodies		Valves	Handles	
A-200	WP-26	—	Ribbed	H-200R
A-200 Valve	WP-26V	VS-1	Knurled	H-200
Torch Bodies Optional				
A-200 Flex	WP-26F	—	Ribbed	10N15R
A-200 Flex Valve	WP-26FV	VS-1	Knurled	10N15
A-200 Redhead Flex	WP-R26F	—		
A-200 Redhead Flex Valve	WP-R26FV	VS-1		
Power Cables				
Rubber	1-Piece		2-Piece	
12.5 ft (3.8 m)	25 ft (7.6 m)		12.5 ft (3.8 m)	25 ft (7.6 m)
46V28R	46V30R		46V28-2	46V30-2
Replacement Gas Hose				
—	46V30R		40V75R	41V30R

#AK3C Accessory Kit

Includes one short back cap, three collets (one collet per size: 1/16, 3/32, 1/8), three collet bodies (one collet body per size: 1/16, 3/32, 1/8), three alumina nozzles (one nozzle per size: 5, 6, 8), and three 7-inch 2% ceriated tungsten electrodes (one electrode per size: 1/16, 3/32, 1/8).

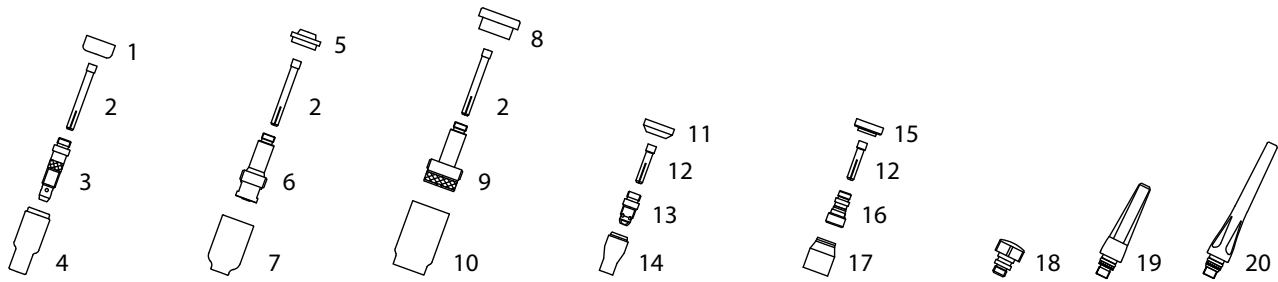


Cable Covers

#WC-3-10 10 ft (3 m)
#WC-3-22 22 ft (6.7 m)

Extension Kit

#EK325R 25 ft (7.6 m), Rubber



Consumables

Non-Gas Lens

Electrode Size - inch (mm)	.020 (0.5)	.040 (1.0)	1/16 (1.6)		3/32 (2.4)		1/8 (3.2)	5/32 (4.0)
1 Insulator (required)	18CG	18CG	18CG		18CG		18CG	18CG
2 Collet	10N21	10N22	10N23		10N24		10N25	54N20
3 Collet Body	10N29	10N30	10N31		10N32		10N33	406488
Nozzle Size - size # (inch)	4 (1/4)	5 (5/16)	6 (3/8)	7 (7/16)	8 (1/2)	10 (5/8)	12 (3/4)	Short
4 Alumina	10N50	10N49	10N48	10N47	10N46	10N45	10N44	—
* Long Alumina	—	10N49L	10N48L	10N47L	—	—	—	—
* Lava	105Z43	105Z42	105Z44	105Z45	08N78	08N79	08N80	—
* Long Lava	12N03	105Z60	12N02	105Z61	—	—	—	—

Gas Lens

10N25

Electrode Size - inch (mm)	.020 (0.5)	.040 (1.0)	1/16 (1.6)		3/32 (2.4)		1/8 (3.2)	5/32 (4.0)
5 Insulator (required)	54N01	54N01	54N01		54N01		54N01	54N01
2 Collet	10N21	10N22	10N23		10N24		10N25	54N20
6 Gas Lens	45V29	45V24	45V25		45V26		45V27	45V28
Nozzle Size - size # (inch)	4 (1/4)	5 (5/16)	6 (3/8)	7 (7/16)	8 (1/2)	10 (5/8)	12 (3/4)	Short
7 Alumina Gas Lens	54N18	54N17	54N16	54N15	54N14	—	—	54N19
* Long Gas Lens	—	54N17L	54N16L	54N15	—	—	—	—

Large Diameter Gas Lens

Electrode Size - inch (mm)	.020 (0.5)	.040 (1.0)	1/16 (1.6)		3/32 (2.4)		1/8 (3.2)	5/32 (4.0)
8 Insulator (required)	54N63	54N63	54N63		54N63		54N63	54N63
2 Collet	10N21	10N22	10N23		10N24		10N25	54N20
9 Large Diameter Gas Lens	45V0204	45V0204	45V116		45V64		995795	45V63
Nozzle Size - size # (inch)	4 (1/4)	5 (5/16)	6 (3/8)	7 (7/16)	8 (1/2)	10 (5/8)	12 (3/4)	Short
10 Large Dia. Gas Lens	—	—	57N 75	—	57N74	53N88	53N87	53N89
* Large Dia. Gas Lens-L	—	—	57N75L	—	57N74L	53N88L	53N87L	—
* Large Dia. Gas Lens-XL	—	—	57N75XL	—	57N74XL	53N88XL	53N87XL	—
* Large Dia. Gas Lens-XXL	—	—	57N75XXL	—	57N74XXL	53N88XXL	53N87XXL	—

Stubby Non-Gas Lens

Electrode Size - inch (mm)	.020 (0.5)	.040 (1.0)	1/16 (1.6)		3/32 (2.4)		1/8 (3.2)	
11 Insulator (required)	18CG20	18CG20	18CG20		18CG20		18CG20	
12 Stubby Collet	—	10N22S	10N23S		10N24S		10N25S	
13 Stubby Collet Body	17CB20	17CB20	17CB20		17CB20		17CB20	
Nozzle Size - size # (inch)	4 (1/4)	5 (5/16)	6 (3/8)	7 (7/16)	8 (1/2)	10 (5/8)	12 (3/4)	Short
14 Stubby Alumina	13N08	13N09	13N10	13N11	13N12	13N13	—	—

Stubby Gas Lens

Electrode Size - inch (mm)	.020 (0.5)	.040 (1.0)	1/16 (1.6)		3/32 (2.4)		1/8 (3.2)	
15 Insulator (required)	17GLG20	17GLG20	17GLG20		17GLG20		17GLG20	
12 Stubby Collet	—	10N22S	10N23S		10N24S		10N25S	
16 Stubby Gas Lens	—	17GL040	17GL118		17GL332		17GL18	
Nozzle Size - size # (inch)	4 (1/4)	5 (5/16)	6 (3/8)	7 (7/16)	8 (1/2)	10 (5/8)	12 (3/4)	Short
17 Alumina Gas Lens	53N58	53N59	53N60	53N61	53N61S	—	—	—

Back Caps

18 Short 57Y04	19 Medium 300M	20 Long 57Y02
----------------	----------------	---------------

*Not shown.

TIG TORCHES

Weldcraft® W-250 Series Hand-Held Water-Cooled Formerly WP-20 Series Service Parts/Consumables



W-250
(WP-20)

Additional Torch Models



W-250 Valve
(WP-20V)

Note: Torches delivered may vary slightly from images shown.

Models		Braided Rubber		Vinyl
Old Model	New Name	12.5 ft (3.8 m)	25 ft (7.6 m)	25 ft (7.6 m)
WP-20	W-250	WP-20-12-R	WP-20-25-R	WP-20-25
WP-20V	W-250 Valve	—	—	WP-20V-25

V= Valve

Torch packages include torch body, handle, power cable, long back cap, gas hose and water hose.

#AK4C Accessory Kit

Includes one long back cap, three collets (one collet per size: 1/16, 3/32, 1/8), three collet bodies (one collet body per size: 1/16, 3/32, 1/8), three alumina nozzles (one nozzle per size: 5, 6, 7), and three 7-inch 2% ceriated tungsten electrodes (one electrode per size: 1/16, 3/32, 1/8).



Torch Bodies		Valves	Handles	
W-250	WP-20	—	Ribbed	53N06
W-250 Valve	WP-20V	VS-2	Knurled	53N06R

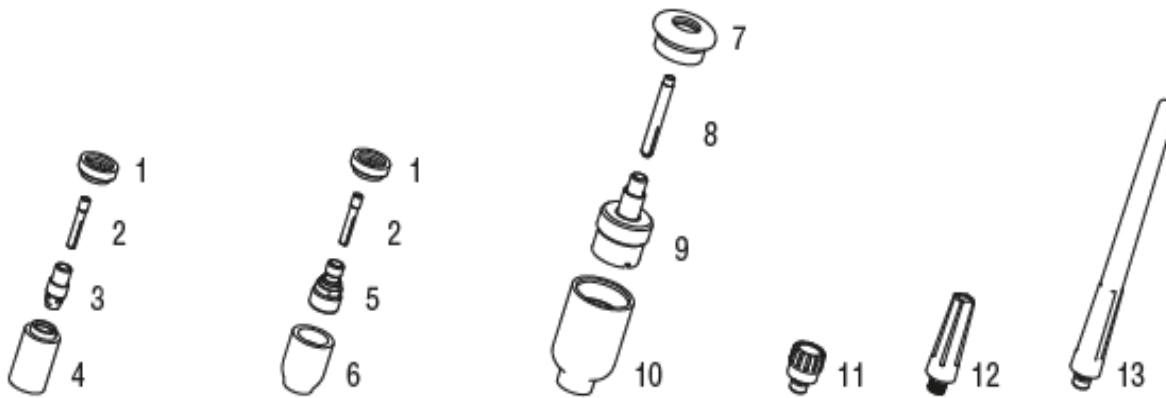
Power Cables				
	Vinyl		Braided	
	12.5 ft (3.8 m)	25 ft (7.6 m)	12.5 ft (3.8 m)	25 ft (7.6 m)
Power Cable	45V03	45V04	45V03R	45V04R
Water Hose	45V07	45V08	45V07R	45V08R
Gas Hose	45V09	45V10	45V09R	45V10R



Cable Covers

#WC-3-10 10 ft (3 m)

#WC-3-22 22 ft (6.7 m)



Consumables

Non-Gas Lens

Electrode Size - inch (mm)	.020 (0.5)		.040 (1.0)		1/16 (1.6)		3/32 (2.4)		1/8 (3.2)
1 Insulator (required)	598882		598882		598882		598882		598882
2 Collet	13N20		13N21		13N22		13N23		13N24
3 Collet Body	13N25		13N26		13N27		13N28		13N29
Nozzle Size - size # (inch)	3 (3/16)	4 (1/4)	5 (5/16)	6 (3/8)	7 (7/16)	8 (1/2)	10 (5/8)	12 (3/4)	Short
4 Alumina	—	13N08	13N09	13N10	13N11	13N12	13N13	—	—
* Lava	—	13N14	13N15	13N16	13N17	13N18	13N19	—	—
* Long Lava	796F70	796F71	796F72	796F73	—	—	—	—	—
* X-Long Lava	796F74	796F75	796F76	796F77	—	—	—	—	—

Gas Lens

Electrode Size - inch (mm)	.020 (0.5)		.040 (1.0)		1/16 (1.6)		3/32 (2.4)		1/8 (3.2)
1 Insulator (required)	598882		598882		598882		598882		598882
2 Collet	13N20		13N21		13N22		13N23		13N24
5 Gas Lens	45V41		45V42		45V43		45V44		45V45
Nozzle Size - size # (inch)	3 (3/16)	4 (1/4)	5 (5/16)	6 (3/8)	7 (7/16)	8 (1/2)	10 (5/8)	12 (3/4)	Short
6 Alumina Gas Lens	—	53N58	53N59	53N60	53N61	53N61S	—	—	—

Large Diameter Gas Lens

Electrode Size - inch (mm)	.020 (0.5)		.040 (1.0)		1/16 (1.6)		3/32 (2.4)		1/8 (3.2)
7 Insulator (required)	54N63-20		54N63-20		54N63-20		54N63-20		54N63-20
8 Collet	13N20L		13N21L		13N22L		13N23L		13N24L
9 Large Diameter Gas Lens	45V0204S		45V0204S		45V116S		45V64S		995795S
Nozzle Size - size # (inch)	3 (3/16)	4 (1/4)	5 (5/16)	6 (3/8)	7 (7/16)	8 (1/2)	10 (5/8)	12 (3/4)	Short
10 Large Dia. Gas Lens	—	—	—	57N75	—	57N74	53N88	53N87	53N89
* Large Dia. Gas Lens-L	—	—	—	57N75L	—	57N74L	53N88L	53N87L	—
* Large Dia. Gas Lens-XL	—	—	—	57N75XL	—	57N74XL	53N88XL	53N87XL	—
* Large Dia. Gas Lens-XXL	—	—	—	57N75XXL	—	57N74XXL	53N88XXL	53N87XXL	—

Back Caps

11 Short 41V33	12 Medium 41V35	13 Long 41V24
----------------	-----------------	---------------

*Not shown.

Weldcraft® W-280 Series Hand-Held Water-Cooled Formerly WP-280 Service Parts/Consumables



W-280 Super Cool
(#301 251)

Models		Braided Rubber			Braided Rubber with 50 mm Dinse
Old Model	New Name	12.5 (3.8 m)	25 (7.6 m)	50 (15.2 m)	25 (7.6 m)
WP-280	W-280 Super Cool™	#301251012	#301251025	#301251050	#301251001*

*Torch packages include torch body, handle, power cable, long back cap, gas hose, water hose and cable cover.
Cable cover included.

Hose Part #	Description
269 766	Water Hose 14ft. (4.2m), Braided
269 767	Water Hose 26.5ft. (8.0m), Braided
269 769	Water Hose 51.5 FT. (15.7m) Braided
269 770	Gas Hose 13.25 FT (4.0m) Braided
269 771	Gas Hose 25.75 FT (7.8m) Braided
269 773	Gas Hose 50.0 FT (15.2m) Braided
269 575	Power Cable, 12.5 FT (3.8m)
269 758	Power Cable, 25.0 FT (7.6m)
269 759	Power Cable, 50.0 FT. (15.2m)
269 764	Power Cable, 12.5 FT (3.8m)

#AK4C Accessory Kit

Includes one long back cap, three collets (one collet per size: 1/16, 3/32, 1/8), three collet bodies (one collet body per size: 1/16, 3/32, 1/8), three alumina nozzles (one nozzle per size: 5, 6, 7), and three 7-inch 2% ceriated tungsten electrodes (one electrode per size: 1/16, 3/32, 1/8).



Cable Covers

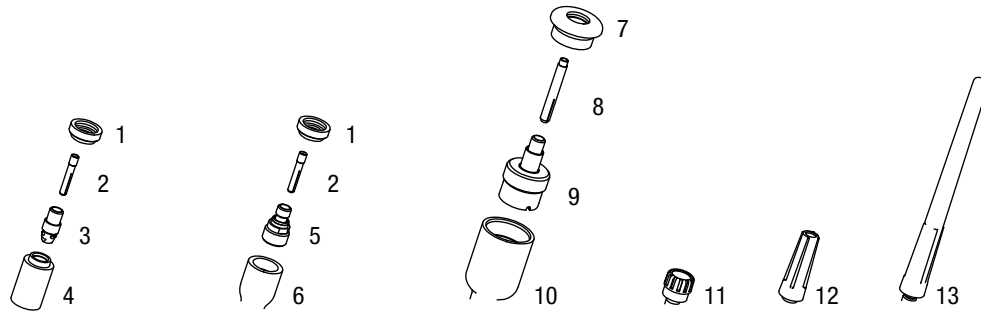
#WC0183 11.75 ft (3.6 m)
for use with #301 253 012

#WC0182 24.25 ft (7.4 m)
for use with #301 253 025
and #301 253 001



Extension Kit

#EK-1-25-R 25 ft (7.6 m), rubber



Weldcraft® W-280 Consumables

Non-Gas Lens

Electrode Size — inch (mm)	.020 (0.5)	.040 (1.0)	1/16 (1.6)			3/32 (2.4)		1/8 (3.2)
1 Insulator (required)	598882	598882	598882			598882		598882
2 Collet	13N20	13N21	13N22			13N23		13N24
3 Collet Body	13N25	13N26	13N27			13N28		13N29
Nozzle Size — size # (inch)	3 (3/16)	4 (1/4)	5 (5/16)	6 (3/8)	7 (7/16)	8 (1/2)	10 (5/8)	12 (3/4)
4 Alumina	—	—	13N08	13N09	13N10	13N11	13N12	13N13
* Lava	—	—	13N14	13N15	13N16	13N17	13N18	13N19
* Long Lava	796F70	796F71	796F72	796F73	—	—	—	—
* X-Long Lava	796F74	796F75	796F76	796F77	—	—	—	—

Gas Lens

Electrode Size — inch (mm)	.020 (0.5)	.040 (1.0)	1/16 (1.6)			3/32 (2.4)		1/8 (3.2)
1 Insulator (required)	598882	598882	598882			598882		598882
2 Collet	13N20	13N21	13N22			13N23		13N24
5 Gas Lens	45V41	45V42	45V43			45V44		45V45
Nozzle Size — size # (inch)	3 (3/16)	4 (1/4)	5 (5/16)	6 (3/8)	7 (7/16)	8 (1/2)	10 (5/8)	12 (3/4)
6 Alumina Gas Lens	54N18	54N17	54N16	54N15	54N14	—	—	54N19
Large Diameter Gas Lens	—	54N17L	54N16L	54N15L	—	—	—	—

Electrode Size — inch (mm)

7 Insulator (required)	54N63-20	54N63-20	54N63-20			54N63-20		54N63-20
8 Collet	13N20L	13N21L	13N22L			13N23L		13N24L
9 Large Diameter Gas Lens	45V0204S	45V0204S	45V116S			45V64S		995795S
Nozzle Size — size # (inch)	3 (3/16)	4 (1/4)	5 (5/16)	6 (3/8)	7 (7/16)	8 (1/2)	10 (5/8)	12 (3/4)
10 Large Dia. Gas Lens	—	—	—	57N75	—	57N74	53N88	53N87
* Large Dia. Gas Lens-L	—	—	—	57N75L	—	57N74L	53N88L	53N87L
* Large Dia. Gas Lens-XL	—	—	—	57N75XL	—	57N74XL	53N88XL	53N87XL
* Large Dia. Gas Lens-XXL	—	—	—	57N75XXL	—	57N74XXL	53N88XXL	53N87XXL

Back Caps

11 Short 41V33 12 Medium 41V35 13 Long 41V24

*Not shown.

TIG TORCHES

Weldcraft® W-310 Series Hand-Held Water-Cooled Formerly CS310 Service Parts/Consumables



W-310
(CS310A)

Models		Braided Rubber		
Old Model	New Name	12.5 ft (3.8 m)	25 ft (7.6 m)	50 ft (15.2 m)
CS310A	W-310	CS310-12	CS310-25	CS310-50

Torch packages include torch body, handle, power cable, long back cap, gas hose, water hose and cable cover.

Torch Bodies		Handles	
W-310	CS310A	D-Handle	CS110-H

Power Cables			
Braided			
	12.5' (3.8m)	25' (7.6m)	50' (15.2m)
Power Cable	CS310-12PC	CS310-25PC	CS310-50PC
Water Hose	CS310-12W	CS310-25W	CS310-50W
Gas Hose	CS310-12G	CS310-25G	

#AK4C Accessory Kit

Includes one long back cap, three collets (one collet per size: 1/16, 3/32, 1/8), three collet bodies (one collet body per size: 1/16, 3/32, 1/8), three alumina nozzles (one nozzle per size: 5, 6, 7), and three 7-inch 2% ceriated tungsten electrodes (one electrode per size: 1/16, 3/32, 1/8).



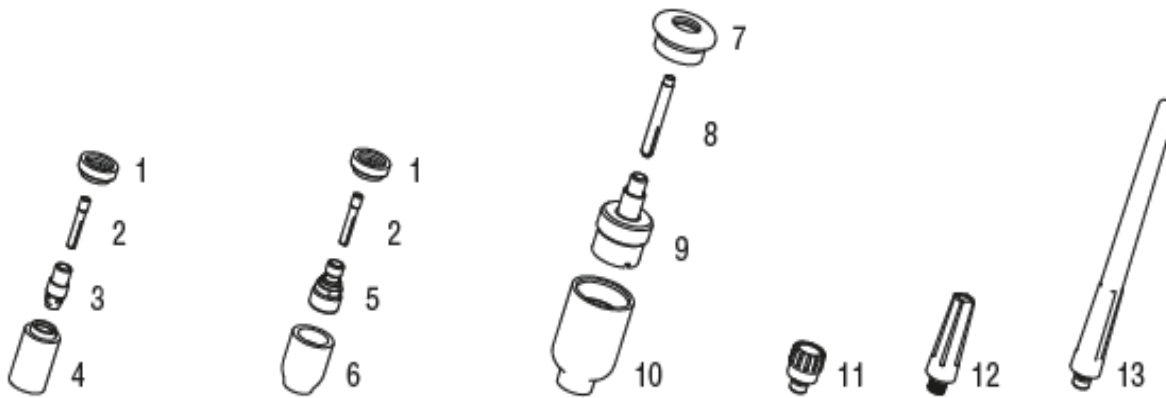
Cable Covers

- #WC-3-10 10 ft (3 m)
- #WC-3-22 22 ft (6.7 m)
- #WC-3-48 48 ft (14.6 m)



Extension Kit

- #EK-1-25-R 25 ft (7.6 m), Rubber



Consumables

Non-Gas Lens

Electrode Size - inch (mm)	.020 (0.5)		.040 (1.0)		1/16 (1.6)		3/32 (2.4)		1/8 (3.2)
1 Insulator (required)	598882		598882		598882		598882		598882
2 Collet	13N20		13N21		13N22		13N23		13N24
3 Collet Body	13N25		13N26		13N27		13N28		13N29
Nozzle Size - size # (inch)	3 (3/16)	4 (1/4)	5 (5/16)	6 (3/8)	7 (7/16)	8 (1/2)	10 (5/8)	12 (3/4)	Short
4 Alumina	—	13N08	13N09	13N10	13N11	13N12	13N13	—	—
* Lava	—	13N14	13N15	13N16	13N17	13N18	13N19	—	—
* Long Lava	796F70	796F71	796F72	796F73	—	—	—	—	—
* X-Long Lava	796F74	796F75	796F76	796F77	—	—	—	—	—

Gas Lens

Electrode Size - inch (mm)	.020 (0.5)		.040 (1.0)		1/16 (1.6)		3/32 (2.4)		1/8 (3.2)
1 Insulator (required)	598882		598882		598882		598882		598882
2 Collet	13N20		13N21		13N22		13N23		13N24
5 Gas Lens	45V41		45V42		45V43		45V44		45V45
Nozzle Size - size # (inch)	3 (3/16)	4 (1/4)	5 (5/16)	6 (3/8)	7 (7/16)	8 (1/2)	10 (5/8)	12 (3/4)	Short
6 Alumina Gas Lens	—	53N58	53N59	53N60	53N61	53N61S	—	—	—

Large Diameter Gas Lens

Electrode Size - inch (mm)	.020 (0.5)		.040 (1.0)		1/16 (1.6)		3/32 (2.4)		1/8 (3.2)
7 Insulator (required)	54N63-20		54N63-20		54N63-20		54N63-20		54N63-20
8 Collet	13N20L		13N21L		13N22L		13N23L		13N24L
9 Large Diameter Gas Lens	45V0204S		45V0204S		45V116S		45V64S		995795S
Nozzle Size - size # (inch)	3 (3/16)	4 (1/4)	5 (5/16)	6 (3/8)	7 (7/16)	8 (1/2)	10 (5/8)	12 (3/4)	Short
10 Large Dia. Gas Lens	—	—	—	57N75	—	57N74	53N88	53N87	53N89
* Large Dia. Gas Lens-L	—	—	—	57N75L	—	57N74L	53N88L	53N87L	—
* Large Dia. Gas Lens-XL	—	—	—	57N75XL	—	57N74XL	53N88XL	53N87XL	—
* Large Dia. Gas Lens-XXL	—	—	—	57N75XXL	—	57N74XXL	53N88XXL	53N87XXL	—

Back Caps

11 Short CS110-BCS	12 Medium 41V35	13 Long 41V24
--------------------	-----------------	---------------

*Not shown.

TIG TORCHES

Weldcraft® W-350 Series Hand-Held Water-Cooled Formerly WP-18 Series Service Parts/Consumables



W-350
(WP-18)

Additional Torch Models



W-350 Valve
(WP-18V)

Note: Torches delivered may vary slightly from images shown.

Models		Rubber		Vinyl	
Old Model	New Name	12.5 ft (3.8 m)	25 ft (7.6 m)	12.5 ft (3.8 m)	25 ft (7.6 m)
WP-18	W-350	WP-18-12-R	WP-18-25-R	WP-18-12	WP-18-25
WP-18V	W-350 Valve	—	WP-18V-25-R	—	WP-18V-25

V= Valve

Torch packages include torch body, handle, power cable, long back cap, gas hose and water hose.

Torch Bodies		Valves	Handles	
W-350	WP-18	—	Ribbed	H-200
W-350 Valve	WP-18V	VS-1	Knurled	H-200R

Power Cables				
	Vinyl		Rubber (PC)	Braided (G&W)
	12.5 ft (3.8 m)	25 ft (7.6 m)	12.5 ft (3.8 m)	25 ft (7.6 m)
Power Cable	40V64	41V29	40V64R	41V29R
Water Hose	40V74	41V32	40V74R	41V32R
Gas Hose	40V75	41V30	40V75R18	41V30R18

#AK3C Accessory Kit

Includes one short back cap, three collets (one collet per size: 1/16, 3/32, 1/8), three collet bodies (one collet body per size: 1/16, 3/32, 1/8), three alumina nozzles (one nozzle per size: 5, 6, 7), and three 7-inch 2% ceriated tungsten electrodes (one electrode per size: 1/16, 3/32, 1/8).



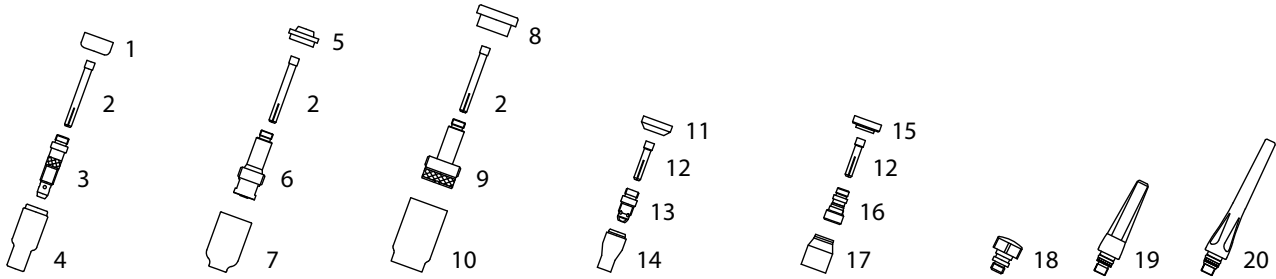
Cable Covers

- #WC-3-10 10 ft (3 m)
- #WC-3-22 22 ft (6.7 m)



Extension Kit

- #EK-1-25-R 25 ft (7.6 m), Rubber



Consumables

Non-Gas Lens

Electrode Size - inch (mm)	.020 (0.5)	.040 (1.0)	1/16 (1.6)		3/32 (2.4)		1/8 (3.2)	5/32 (4.0)
1 Insulator (required)	18CG	18CG	18CG		18CG		18CG	18CG
2 Collet	10N21	10N22	10N23		10N24		10N25	54N20
3 Collet Body	10N29	10N30	10N31		10N32		10N28	406488
Nozzle Size - size # (inch)	4 (1/4)	5 (5/16)	6 (3/8)	7 (7/16)	8 (1/2)	10 (5/8)	12 (3/4)	Short
4 Alumina	10N50	10N49	10N48	10N47	10N46	10N45	10N44	—
* Long Alumina	—	10N49L	10N48L	10N47L	—	—	—	—
* Lava	105Z43	105Z42	105Z44	105Z45	08N78	08N79	08N80	—
* Long Lava	12N03	105Z60	12N02	105Z61	—	—	—	—

Gas Lens

Electrode Size - inch (mm)	.020 (0.5)	.040 (1.0)	1/16 (1.6)		3/32 (2.4)		1/8 (3.2)	5/32 (4.0)
5 Insulator (required)	54N01	54N01	54N01		54N01		54N01	54N01
2 Collet	10N21	10N22	10N23		10N24		10N25	54N20
6 Gas Lens	45V29	45V24	45V25		45V26		45V27	45V28
Nozzle Size - size # (inch)	4 (1/4)	5 (5/16)	6 (3/8)	7 (7/16)	8 (1/2)	10 (5/8)	12 (3/4)	Short
7 Alumina Gas Lens	54N18	54N17	54N16	54N15	54N14	—	—	54N19
* Long Gas Lens	—	54N17L	54N16L	54N15	—	—	—	—

Large Diameter Gas Lens

Electrode Size - inch (mm)	.020 (0.5)	.040 (1.0)	1/16 (1.6)		3/32 (2.4)		1/8 (3.2)	5/32 (4.0)
8 Insulator (required)	54N63	54N63	54N63		54N63		54N63	54N63
2 Collet	10N21	10N22	10N23		10N24		10N25	54N20
9 Large Diameter Gas Lens	45V0204	45V0204	45V116		45V64		995795	45V63
Nozzle Size - size # (inch)	4 (1/4)	5 (5/16)	6 (3/8)	7 (7/16)	8 (1/2)	10 (5/8)	12 (3/4)	Short
10 Large Dia. Gas Lens	—	—	57N 75	—	57N74	53N88	53N87	53N89
* Large Dia. Gas Lens-L	—	—	57N75L	—	57N74L	53N88L	53N87L	—
* Large Dia. Gas Lens-XL	—	—	57N75XL	—	57N74XL	53N88XL	53N87XL	—
* Large Dia. Gas Lens-XXL	—	—	57N75XXL	—	57N74XXL	53N88XXL	53N87XXL	—

Stubby Non-Gas Lens

Electrode Size - inch (mm)	.020 (0.5)	.040 (1.0)	1/16 (1.6)		3/32 (2.4)		1/8 (3.2)	
11 Insulator (required)	18CG20	18CG20	18CG20		18CG20		18CG20	
12 Stubby Collet	—	10N22S	10N23S		10N24S		10N25S	
13 Stubby Body Collet	17CB20	17CB20	17CB20		17CB20		17CB20	
Nozzle Size - size # (inch)	4 (1/4)	5 (5/16)	6 (3/8)	7 (7/16)	8 (1/2)	10 (5/8)	12 (3/4)	Short
14 Stubby Alumina	13N08	13N09	13N10	13N11	13N12	13N13	—	—

Stubby Gas Lens

Electrode Size - inch (mm)	.020 (0.5)	.040 (1.0)	1/16 (1.6)		3/32 (2.4)		1/8 (3.2)	
15 Insulator (required)	17GLG20	17GLG20	17GLG20		17GLG20		17GLG20	
12 Stubby Collet	—	10N22S	10N23S		10N24S		10N25S	
16 Stubby Gas Lens	—	17GL040	17GL118		17GL332		17GL18	
Nozzle Size - size # (inch)	4 (1/4)	5 (5/16)	6 (3/8)	7 (7/16)	8 (1/2)	10 (5/8)	12 (3/4)	Short
17 Alumina Gas Lens	53N58	53N59	53N60	53N61	53N61S	—	—	—

Back Caps

18 Short 57Y04	19 Medium 300M	20 Long 57Y02
----------------	----------------	---------------

*Not shown.

Weldcraft® W-375 Series Hand-Held Water-Cooled Service Parts/Consumables



W-375 Super Cool
(#301 253)

New Name	Braided Rubber		Braided Rubber with 50 mm Dinse
	12.5 (3.8 m)	25 (7.6 m)	25 (7.6 m)
W-375 Super Cool™	#301253012	#301253025	#301253001*

Torch packages include torch body, handle, power cable, long back cap, gas hose, water hose and cable cover.
*Cable cover included.

Hose Part #	Description
269 766	Water Hose 14ft. (4.2m), Braided
269 767	Water Hose 26.5ft. (8.0m), Braided
269 770	Gas Hose 13.25 FT (4.0m) Braided
269 771	Gas Hose 25.75 FT (7.8m) Braided
269 764	Power Cable, 12.5 FT (3.8m)
269 765	Power Cable, 25.0 FT (7.6m)

#AK4C Accessory Kit

Includes one long back cap, three collets (one collet per size: 1/16, 3/32, 1/8), three collet bodies (one collet body per size: 1/16, 3/32, 1/8), three alumina nozzles (one nozzle per size: 5, 6, 7), and three 7-inch 2% ceriated tungsten electrodes (one electrode per size: 1/16, 3/32, 1/8).

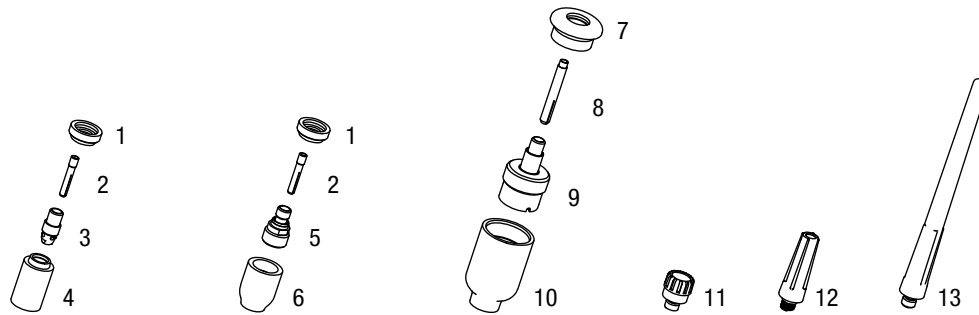


#WC0183 11.75 ft (3.6 m)
for use with #301 253 012

#WC0182 24.25 ft (7.4 m)
for use with #301 253 025
and #301 253 001



Extension Kit
#EK-1-25-R 25 ft (7.6 m), rubber



Weldcraft® W-375 Consumables

Non-Gas Lens

Electrode Size — inch (mm)	.020 (0.5)	.040 (1.0)	1/16 (1.6)			3/32 (2.4)		1/8 (3.2)
1 Insulator (required)	598882	598882	598882			598882		598882
2 Collet	13N20	13N21	13N22			13N23		13N24
3 Collet Body	13N25	13N26	13N27			13N28		13N29
Nozzle Size — size # (inch)	3 (3/16)	4 (1/4)	5 (5/16)	6 (3/8)	7 (7/16)	8 (1/2)	10 (5/8)	12 (3/4)
4 Alumina	—	—	13N08	13N09	13N10	13N11	13N12	13N13
* Lava	—	—	13N14	13N15	13N16	13N17	13N18	13N19
* Long Lava	796F70	796F71	796F72	796F73	—	—	—	—
* X-Long Lava	796F74	796F75	796F76	796F77	—	—	—	—

Gas Lens

Electrode Size — inch (mm)	.020 (0.5)	.040 (1.0)	1/16 (1.6)			3/32 (2.4)		1/8 (3.2)
1 Insulator (required)	598882	598882	598882			598882		598882
2 Collet	13N20	13N21	13N22			13N23		13N24
5 Gas Lens	45V41	45V42	45V43			45V44		45V45
Nozzle Size — size # (inch)	3 (3/16)	4 (1/4)	5 (5/16)	6 (3/8)	7 (7/16)	8 (1/2)	10 (5/8)	12 (3/4)
6 Alumina Gas Lens	54N18	54N17	54N16	54N15	54N14	—	—	54N19
Large Diameter Gas Lens	—	54N17L	54N16L	54N15L	—	—	—	—

Electrode Size — inch (mm)

7 Insulator (required)	54N63-20	54N63-20	54N63-20			54N63-20		54N63-20
8 Collet	13N20L	13N21L	13N22L			13N23L		13N24L
9 Large Diameter Gas Lens	45V0204S	45V0204S	45V116S			45V64S		995795S
Nozzle Size — size # (inch)	3 (3/16)	4 (1/4)	5 (5/16)	6 (3/8)	7 (7/16)	8 (1/2)	10 (5/8)	12 (3/4)
10 Large Dia. Gas Lens	—	—	—	57N75	—	57N74	53N88	53N87
* Large Dia. Gas Lens-L	—	—	—	57N75L	—	57N74L	53N88L	53N87L
* Large Dia. Gas Lens-XL	—	—	—	57N75XL	—	57N74XL	53N88XL	53N87XL
* Large Dia. Gas Lens-XXL	—	—	—	57N75XXL	—	57N74XXL	53N88XXL	53N87XXL

Back Caps

11 Short 41V33 12 Medium 41V35 13 Long 41V24

*Not shown.

Weldcraft® W-410 Series Hand-Held Water-Cooled Formerly CS410 Service Parts/Consumables



W-410
(CS410A)

Models		Braided Rubber
Old Model	New Name	25 ft (7.6 m)
CS410A	W-410	CS410-25

Torch packages include torch body, handle, power cable, long back cap, gas hose, water hose and cable cover.

Torch Bodies		Handles	
W-410	CS410A	D-Handle	CS210-H

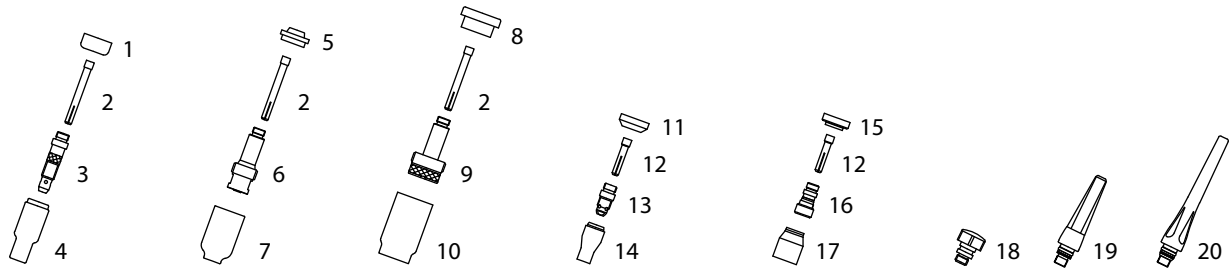
Power Cables		
	Braided	
	12.5 ft (3.8 m)	25 ft (7.6 m)
Power Cable	CS410-12PC	CS410-25PC
Water Hose	CS310-12W	CS310-25W
Gas Hose	CS410-12G	CS410-25G

#AK4C Accessory Kit

Includes one long back cap, three collets (one collet per size: 1/16, 3/32, 1/8), three collet bodies (one collet body per size: 1/16, 3/32, 1/8), three alumina nozzles (one nozzle per size: 5, 6, 7), and three 7-inch 2% ceriated tungsten electrodes (one electrode per size: 1/16, 3/32, 1/8).



Cable Covers
#WC-3-22 22 ft (6.7 m)



Consumables

Non-Gas Lens

Electrode Size - inch (mm)	.020 (0.5)	.040 (1.0)	1/16 (1.6)			3/32 (2.4)		1/8 (3.2)	5/32 (4.0)
1 Insulator (required)	18CG	18CG	18CG			18CG		18CG	18CG
2 Collet	10N21	10N22	10N23			10N24		10N25	54N20
3 Collet Body	10N29	10N30	10N31			10N32		10N28	406488
Nozzle Size - size # (inch)	4 (1/4)	5 (5/16)	6 (3/8)	7 (7/16)	8 (1/2)	10 (5/8)	12 (3/4)	Short	
4 Alumina	10N50	10N49	10N48	10N47	10N46	10N45	10N44	—	
* Long Alumina	—	10N49L	10N48L	10N47L	—	—	—	—	
* Lava	105Z43	105Z42	105Z44	105Z45	08N78	08N79	08N80	—	
* Long Lava	12N03	105Z60	12N02	105Z61	—	—	—	—	

Gas Lens

Electrode Size - inch (mm)	.020 (0.5)	.040 (1.0)	1/16 (1.6)			3/32 (2.4)		1/8 (3.2)	5/32 (4.0)
5 Insulator (required)	54N01	54N01	54N01			54N01		54N01	54N01
2 Collet	10N21	10N22	10N23			10N24		10N25	54N20
6 Gas Lens	45V29	45V24	45V25			45V26		45V27	45V28
Nozzle Size - size # (inch)	4 (1/4)	5 (5/16)	6 (3/8)	7 (7/16)	8 (1/2)	10 (5/8)	12 (3/4)	Short	
7 Alumina Gas Lens	54N18	54N17	54N16	54N15	54N14	—	—	54N19	
* Long Gas Lens	—	54N17L	54N16L	54N15L	—	—	—	—	

Large Diameter Gas Lens

Electrode Size - inch (mm)	.020 (0.5)	.040 (1.0)	1/16 (1.6)			3/32 (2.4)		1/8 (3.2)	5/32 (4.0)
8 Insulator (required)	54N63	54N63	54N63			54N63		54N63	54N63
2 Collet	10N21	10N22	10N23			10N24		10N25	54N20
9 Large Diameter Gas Lens	45V0204	45V0204	45V116			45V64		995795	45V63
Nozzle Size - size # (inch)	4 (1/4)	5 (5/16)	6 (3/8)	7 (7/16)	8 (1/2)	10 (5/8)	12 (3/4)	Short	
10 Large Dia. Gas Lens	—	—	57N 75	—	57N74	53N88	53N87	53N89	
* Large Dia. Gas Lens-L	—	—	57N75L	—	57N74L	53N88L	53N87L	—	
* Large Dia. Gas Lens-XL	—	—	57N75XL	—	57N74XL	53N88XL	53N87XL	—	
* Large Dia. Gas Lens-XXL	—	—	57N75XXL	—	57N74XXL	53N88XXL	53N87XXL	—	

Stubby Non-Gas Lens

Electrode Size - inch (mm)	.020 (0.5)	.040 (1.0)	1/16 (1.6)			3/32 (2.4)		1/8 (3.2)	
11 Insulator (required)	18CG20	18CG20	18CG20			18CG20		18CG20	
12 Stubby Collet	—	10N22S	10N23S			10N24S		10N25S	
13 Stubby Body Collet	17CB20	17CB20	17CB20			17CB20		17CB20	
Nozzle Size - size # (inch)	4 (1/4)	5 (5/16)	6 (3/8)	7 (7/16)	8 (1/2)	10 (5/8)	12 (3/4)	Short	
14 Stubby Alumina	13N08	13N09	13N10	13N11	13N12	13N13	—	—	

Stubby Gas Lens

Electrode Size - inch (mm)	.020 (0.5)	.040 (1.0)	1/16 (1.6)			3/32 (2.4)		1/8 (3.2)	
15 Insulator (required)	17GLG20	17GLG20	17GLG20			17GLG20		17GLG20	
12 Stubby Collet	—	10N22S	10N23S			10N24S		10N25S	
16 Stubby Gas Lens	—	17GL040	17GL116			17GL332		17GL18	
Nozzle Size - size # (inch)	4 (1/4)	5 (5/16)	6 (3/8)	7 (7/16)	8 (1/2)	10 (5/8)	12 (3/4)	Short	
17 Alumina Gas Lens	53N58	53N59	53N60	53N61	53N61S	—	—	—	

Back Caps

18 Short 57Y04	19 Medium 300M	20 Long 57Y02
----------------	----------------	---------------

*Not shown.

TIG TORCHES

Weldcraft® Modular Series Hand-Held TIG Service Parts/Consumables

Type
Water-Cooled

Rated Output
DC: 225 A, AC: 160 A

Duty Cycle
100%

Electrode Range
.020-5/32 in (0.5-4.0 mm)



W-225 Modular
(WP-225)

Models		Braided Rubber		Vinyl	Textured Handle
Old Model	New Name	12.5 ft (3.8 m)	25 ft (7.6 m)	25 ft (7.6 m)	—
WP-225	W-225 Modular	WP-225-12-R	WP-225-25-R	WP-225-25	53N06

Torch packages include torch body, handle, power cable, gas hose, water hose and 1726 and 9-70 torch heads.

Torch Heads



24 24-90 9-70 9-90 9P 1726 1726P

Torch Head	Angle	Electrode Range	A-150 Modular* Amp Rating		A-200 Modular* Amp Rating		W-225 Modular* Amp Rating	
			DC	AC	DC	AC	DC	AC
24	70°	.020-3/32 in. (0.5-2.4 mm)	80	50	80	50	160	115
24-90	90°	.020-3/32 in. (0.5-2.4 mm)	80	50	80	50	160	115
9-70	70°	.020-1/8 in. (0.5-3.2 mm)	125	100	125	100	200	140
9-90	90°	.020-1/8 in. (0.5-3.2 mm)	125	100	125	100	200	140
9P	180°	.020-1/8 in. (0.5-3.2 mm)	125	100	125	100	200	140
1726	70°	.020-5/32 in. (0.5-4.0 mm)	150	115	200	140	225	160
1726P	180°	.020-5/32 in. (0.5-4.0 mm)	150	115	200	140	225	160

* 60% Duty Cycle

** 100% Duty Cycle



#AK-225MFC Accessory Kit

Supplements W-225 (WP-225) modular torch packages. Includes 5 additional torch heads, collet, collet bodies, nozzles, handle and more.



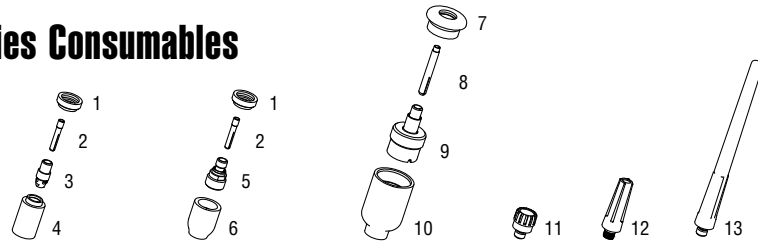
Cable Covers

#WC-3-10 10 ft (3 m)

#WC-3-22 22 ft (6.7 m)



9-70, 9-90 and 9P Modular Series Consumables



Non-Gas Lens

Electrode Size - inch (mm)	.020 (0.5)		.040 (1.0)		1/16 (1.6)		3/32 (2.4)		1/8 (3.2)
1 Insulator (required)	598882		598882		598882		598882		598882
2 Collet	13N20		13N21		13N22		13N23		13N24
3 Collet Body	13N25		13N26		13N27		13N28		13N29
Nozzle Size - size # (inch)	3 (3/16)	4 (1/4)	5 (5/16)	6 (3/8)	7 (7/16)	8 (1/2)	10 (5/8)	12 (3/4)	Short
4 Alumina	—	13N08	13N09	13N10	13N11	10N12	10N13	—	—
* Lava	—	13N14	13N15	13N16	13N17	13N18	13N19	—	—
* Long Lava	796F70	796F71	796F72	796F73	—	—	—	—	—
* X-Long Lava	796F74	796F75	796F76	796F77	—	—	—	—	—

Gas Lens

Electrode Size - inch (mm)	.020 (0.5)		.040 (1.0)		1/16 (1.6)		3/32 (2.4)		1/8 (3.2)
1 Insulator (required)	598882		598882		598882		598882		598882
2 Collet	13N20		13N21		13N22		13N23		13N24
5 Gas Lens	45V41		45V42		45V43		45V44		45V45
Nozzle Size - size # (inch)	3 (3/16)	4 (1/4)	5 (5/16)	6 (3/8)	7 (7/16)	8 (1/2)	10 (5/8)	12 (3/4)	Short
6 Alumina Gas Lens	—	53N58	53N59	53N60	53N61	53N61S	—	—	—

Large Diameter Gas Lens

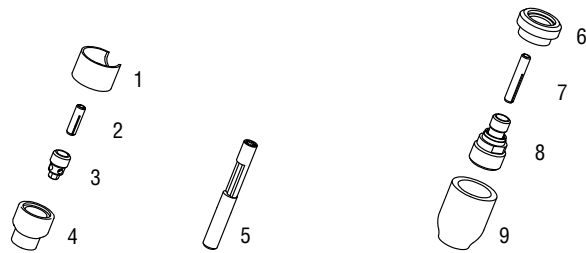
Electrode Size - inch (mm)	.020 (0.5)		.040 (1.0)		1/16 (1.6)		3/32 (2.4)		1/8 (3.2)
7 Insulator (required)	54N63-20		54N63-20		54N63-20		54N63-20		54N63-20
8 Collet	13N20L		13N21L		13N22L		13N23L		13N24L
9 Large Diameter Gas Lens	45V0204S		45V0204S		45V116S		45V64S		995795S
Nozzle Size - size # (inch)	3 (3/16)	4 (1/4)	5 (5/16)	6 (3/8)	7 (7/16)	8 (1/2)	10 (5/8)	12 (3/4)	Short
10 Large Dia. Gas Lens	—	—	—	57N75	—	57N74	53N88	53N87	53N89
* Large Dia. Gas Lens-L	—	—	—	57N75L	—	57N74L	53N88L	53N87L	—
* Large Dia. Gas Lens-XL	—	—	—	57N75XL	—	57N74XL	53N88XL	53N87XL	—
* Large Dia. Gas Lens-XXL	—	—	—	57N75XXL	—	57N74XXL	53N88XXL	53N87XXL	—

Back Caps

11 Short 41V33 12 Medium 41V35 13 Long 41V24

*Not shown.

24 and 24-90 Modular Series Consumables



Non-Gas Lens

Electrode Size - inch (mm)	.020 (0.5)	.040 (1.0)	1/16 (1.6)	3/32 (2.4)
1 Insulator (required)	53N22	53N22	53N22	53N22
2 Collet	53N15	53N16	53N14	24C332
3 Collet Body	53N17	53N18	53N19	24CB332
Nozzle Size - size # (inch)	.165	4 (1/4)	5 (5/16)	6 (3/8)
4 Alumina	—	A53N24	A53N25	A53N27
* Lava	53N23	53N24	53N25	53N27
* Long Lava	—	53N28	—	53N26

Collet Body Wrench

5 53N20

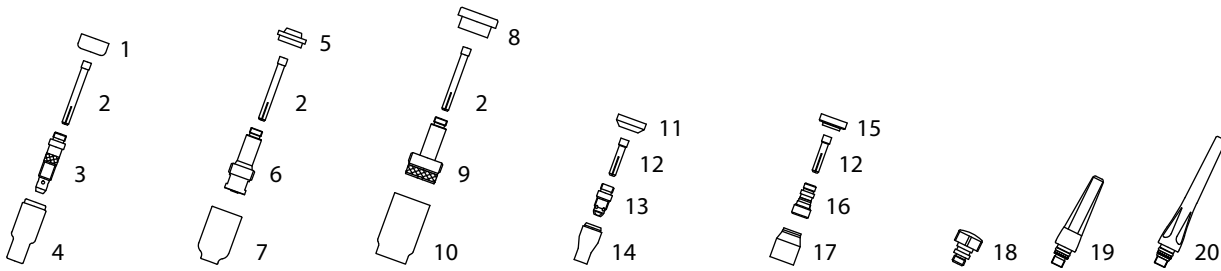
Gas Lens

Electrode Size - inch (mm)	.020 (0.5)	.040 (1.0)	1/16 (1.6)	3/32 (2.4)
6 Insulator (required)	53N66	53N66	53N66	53N66
7 Collet	53N62	53N63	53N64	24GLC332
8 Gas Lens	45V41	45V42	45V43	45V44
Nozzle Size - size # (inch)	4 (1/4)	5 (5/16)	6 (3/8)	7 (7/16)
9 Alumina Gas Lens	53N58	53N59	53N60	53N61

*Not shown.

TIG TORCHES

1726 and 1726P Modular Series Consumables



Non-Gas Lens

Electrode Size - inch (mm)	.020 (0.5)	.040 (1.0)	1/16 (1.6)			3/32 (2.4)		1/8 (3.2)	5/32 (4.0)
1 Insulator (required)	18CG	18CG	18CG			18CG		18CG	18CG
2 Collet	10N21	10N22	10N23			10N24		10N25	54N20
3 Collet Body	10N29	10N30	10N31			10N32		10N33	406488
Nozzle Size - size # (inch)	4 (1/4)	5 (5/16)	6 (3/8)	7 (7/16)	8 (1/2)	10 (5/8)	12 (3/4)	Short	
4 Alumina	10N50	10N49	10N48	10N47	10N46	10N45	10N44	—	
* Long Alumina	—	10N49L	10N48L	10N47L	—	—	—	—	
* Lava	105Z43	105Z42	105Z44	105Z45	08N78	08N79	08N80	—	
* Long Lava	12N03	105Z60	12N02	105Z61	—	—	—	—	

Gas Lens

Electrode Size - inch (mm)	.020 (0.5)	.040 (1.0)	1/16 (1.6)			3/32 (2.4)		1/8 (3.2)	5/32 (4.0)
5 Insulator (required)	54N01	54N01	54N01			54N01		54N01	54N01
2 Collet	10N21	10N22	10N23			10N24		10N25	54N20
6 Gas Lens	45V29	45V24	45V25			45V26		45V27	45V28
Nozzle Size - size # (inch)	4 (1/4)	5 (5/16)	6 (3/8)	7 (7/16)	8 (1/2)	10 (5/8)	12 (3/4)	Short	
7 Alumina Gas Lens	54N18	54N17	54N16	54N15	54N14	—	—	54N19	
* Long Gas Lens	—	54N17L	54N16L	54N15	—	—	—	—	

Large Diameter Gas Lens

Electrode Size - inch (mm)	.020 (0.5)	.040 (1.0)	1/16 (1.6)			3/32 (2.4)		1/8 (3.2)	5/32 (4.0)
8 Insulator (required)	54N63	54N63	54N63			54N63		54N63	54N63
2 Collet	10N21	10N22	10N23			10N24		10N25	54N20
9 Large Diameter Gas Lens	45V0204	45V0204	45V116			45V64		995795	45V63
Nozzle Size - size # (inch)	4 (1/4)	5 (5/16)	6 (3/8)	7 (7/16)	8 (1/2)	10 (5/8)	12 (3/4)	Short	
10 Large Dia. Gas Lens	—	—	57N75	—	57N74	53N88	53N87	53N89	
* Large Dia. Gas Lens-L	—	—	57N75L	—	57N74L	53N88L	53N87L	—	
* Large Dia. Gas Lens-XL	—	—	57N75XL	—	57N74XL	53N88XL	53N87XL	—	
* Large Dia. Gas Lens-XXL	—	—	57N75XXL	—	57N74XXL	53N88XXL	53N87XXL	—	

Stubby Non-Gas Lens

Electrode Size - inch (mm)	.020 (0.5)	.040 (1.0)	1/16 (1.6)			3/32 (2.4)		1/8 (3.2)
11 Insulator (required)	18CG20	18CG20	18CG20			18CG20		18CG20
12 Stubby Collet	—	10N22S	10N23S			10N24S		10N25S
13 Stubby Body Collet	17CB20	17CB20	17CB20			17CB20		17CB20
Nozzle Size - size # (inch)	4 (1/4)	5 (5/16)	6 (3/8)	7 (7/16)	8 (1/2)	10 (5/8)	12 (3/4)	Short
14 Stubby Alumina	13N08	13N09	13N10	13N11	13N12	13N13	—	—

Stubby Gas Lens

Electrode Size - inch (mm)	.020 (0.5)	.040 (1.0)	1/16 (1.6)			3/32 (2.4)		1/8 (3.2)
15 Insulator (required)	17GLG20	17GLG20	17GLG20			17GLG20		17GLG20
12 Stubby Collet	—	10N22S	10N23S			10N24S		10N25S
16 Stubby Gas Lens	—	17GL040	17GL118			17GL332		17GL118
Nozzle Size - size # (inch)	4 (1/4)	5 (5/16)	6 (3/8)	7 (7/16)	8 (1/2)	10 (5/8)	12 (3/4)	Short
17 Alumina Gas Lens	53N58	53N59	53N60	53N61	53N61S	—	—	—

Back Caps

18 Short 57Y04 19 Medium 300M 20 Long 57Y02

*Not shown.

ITW Dykem® Paint Markers

Dykem® Brite-Mark® is a general purpose permanent marker ideal for making clear, bold markings on almost any surface (i.e. metal, rubber, plastic, glass, concrete, leather, stone, wood, vinyl, and more). Its quick drying, oil-based paint withstands indoor and outdoor conditions without fading, chipping, or losing its opacity. Dykem Brite-Mark can be used to permanently identify inventory, assemblies, tools, finished products, or work-in-progress while resisting most work related abuses or compounds.

Part #	Tip	Description	Package Quantity
84 001	Fiber/Bullet	12.0 cc Blue, Dykem® Brite-Mark®	12
84 002	Fiber/Bullet	12.0 cc Black, Dykem® Brite-Mark®	12
84 003	Fiber/Bullet	12.0 cc White, Dykem® Brite-Mark®	12
84 004	Fiber/Bullet	12.0 cc Yellow, Dykem® Brite-Mark®	12
84 005	Fiber/Bullet	12.0 cc Orange, Dykem® Brite-Mark®	12
84 006	Fiber/Bullet	12.0 cc Red, Dykem® Brite-Mark®	12
84 007	Fiber/Bullet	12.0 cc Green, Dykem® Brite-Mark®	12

Dykem® TexPen® is one of the most rugged markers you'll ever use. It can easily write through oil, grease, and even underwater. The Dykem TexPen features a stainless-steel ball tip so you'll never have to worry about the tip wearing out before the paint is gone, even if you're writing on rough concrete or rusty metal. The thick, bold paint markings withstand extreme weather conditions without losing legibility or brightness.

Part #	Tip	Description	Package Quantity
16063	#3, Medium 3/32 in	26.4 cc Yellow, Dykem® TexPen®	12



Brite-Mark® (Fiber/Bullet)



TexPen®
(#3, Medium)

For products not listed in this catalog, please call ITW DYKEM® at 1-800-443-9536.

Paint Original Equipment Color Matched

Part #	Description
098 205	12 oz. Spray Can, (new) Miller Blue Enamel

From showroom touch-ups to complete machine repaints, depend on Miller O.E.M. color-matched paints to give you and your customers professional results. Available in air-dry aerosols.



SCRUBS® Waterless Hand Cleaner Towels

Part #	Dimensions	Quantity	Case Quantity
202 239	10-1/2 x 12-1/4 in	72 towel canister	6 canisters per case
208 470	8 x 12-1/4 in	100 single-pack dispenser	—

They're the original patented one-step hand cleaner towels in-a-bucket. SCRUBS® combine the scrubbing power of pumice with powerful yet safe cleaning agents into an absorbent, non-scratching abrasive hand-cleaning towel. Fast and easy, no rinsing, no drying, leaves hands clean and protected, germ-free with a pleasant fragrance and no residue.



#208 470

#202 239

Welpers® Multipurpose MIG Tool

Part #	Size	Description	Part #	Size	Description
YS50	8-1/2 in	Original full size model	YS20 (N/A)	7 in	Mini-welper

The original patented multipurpose MIG tool that does it all. Welpers® perform eight different tasks saving time and increasing productivity! It's a must have tool for every welder, now available in the smaller more convenient YS20 version, ideal for the growing population of light-duty 150 amp and below MIG welding guns.



#YS50

SERVICE PARTS

4-Pin Amp Plastic Connectors



#048 283 Kit (consists of) #081 905 Receptacle #079 535 Pins (Qty 5)	#048 284 Kit (consists of) #081 906 Connector #079 534 Sockets (Qty 5)	#046 958 Kit (consists of) #046 080 Connector #079 535 Pins (Qty 5)
--	--	---

Note: Strain relief clamp #079 531 needs to be ordered separately with cord-mounted connections.



#048 282 Kit (consists of) #081 560 Receptacle #079 534 Sockets (Qty 5)	#079 878 Kit (consists of) #079 532 Connector #079 535 Pins (Qty 5)	#080 328 Kit (consists of) #079 533 Connector #079 534 Sockets (Qty 5)
---	---	--

Note: Strain relief clamp #079 531 needs to be ordered separately with cord-mounted connections.

4-Pin Amphenol Metal Connectors



#076 624 (N/A)
#073 688 (N/A)
#073 686
#073 688 (N/A)

Note: Pins are the solderable type and are pre-inserted into the receptacle
Strain relief clamp #039 828 needs to be ordered separately w/cord-mounted connections

5-Pin Amphenol Metal Connectors



#035 523
#039 273
#052 654

Note: Pins are the solderable type and are pre-inserted into the receptacle.
Strain relief clamp #039 685 needs to be ordered separately w/cord-mounted connections.

6-Pin Amphenol Metal Connectors



#039 825
#039 827

Note: Pins are the solderable type and are pre-inserted into the receptacle.
Strain relief clamp #039 828 needs to be ordered separately w/cord-mounted connections.



Note: For Maxstar 140 and 150's.

9-Pin Amp Plastic Connectors



#170 646 Receptacle (N/A) #079 535 Pins (Qty 5)	#048 380 Kit (consists of) #079 705 Connector #079 534 Sockets (Qty 10)	#048 306 Kit (consists of) #079 707 Connector #079 535 Pins (Qty 10)
--	---	--

Note: Strain relief clamp #079 706 needs to be ordered separately with cord-mounted connections.

10-Pin Amphenol Metal Connectors



#039 718
#039 716
#091 380 (N/A)

Note: Pins are the solderable type and are pre-inserted into the receptacle.
Strain relief clamp #073 332 needs to be ordered separately w/cord-mounted connections.



#139 268
#146 212
#146 213

Note: Pins are the solderable type and are pre-inserted into the receptacle.
Strain relief clamp #073 332 needs to be ordered separately w/cord-mounted connections.

10-Pin Amp Plastic Connectors



#221 777 Kit (consists of) #189 238 Receptacle #134 733 (N/A) Sockets (Qty 10)	#217 292 Kit (consists of) #190 294 Connector #134 731 Pins (Qty 10) #134 732 Pins (Qty 10) #079 739 Clamp #143 922 Clamp	#222 857 Kit (consists of) #207 194 Connector #079 534 Sockets (Qty 10) #141 685 Sockets (Qty 10) #079 739 Clamp #143 922 Clamp
--	--	--

11-Pin Amphenol Metal Connectors



#073 515 (N/A)
#073 517 (N/A)
#073 516 (N/A)

Note: Pins are the solderable type and are pre-inserted into the receptacle.
Strain relief clamp #039 734 needs to be ordered separately w/cord-mounted connections.

14-Pin Amphenol Plastic Connectors (Size 20)



#143 976 Kit (consists of) #134 735 Receptacle #079 534 Sockets (Qty 15)	#141 162 Kit (consists of) #134 734 Connector #134 731 Pins (Qty 15) #079 739 Clamp #143 922 Clamp	#152 369 Kit (consists of) #143 424 Connector #079 534 Sockets (Qty 15) #079 739 Clamp #143 922 Clamp
#143 976 Kit (consists of) #134 735 Receptacle #079 534 Sockets (Qty 15)	#144 310 Kit (consists of) #134 734 Connector #134 732 Pins (Qty 15) #079 739 Clamp #143 922 Clamp	#152 568 Kit (consists of) #143 424 Connector #141 685 Sockets (Qty 15) #079 739 Clamp #143 922 Clamp

14-Pin Amphenol Plastic Connectors (Size 17)

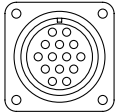


#047 637 Kit (consists of) #048 286 Receptacle #079 534 Sockets (Qty 15)	#047 636 Kit (consists of) #048 287 Connector #079 535 Pins (Qty 15)	#071 892 Kit (consists of) #045 349 Connector #079 534 Sockets (Qty 15)
--	--	---

Note: Strain relief clamp #079 739 needs to be ordered separately with cord-mounted connections.

14-Pin Amphenol Metal Connectors

Panel-Mounted Female



#086 022 Receptacle

Cord-Mounted Male



#136 961 Kit (consists of)
#094 481 Connector
#116 964 Clamp

Cord-Mounted Female

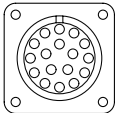


#136 960 Kit (consists of)
#137 301 Connector
#116 964 Clamp

Note: Pins are the solderable type and are pre-inserted into the receptacle.

17-Pin Amphenol Metal Connectors

Panel-Mounted Female



#097 869 (N/A)

Cord-Mounted Male

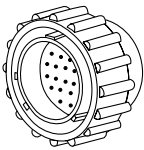


#097 866 (N/A)

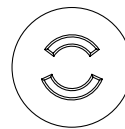
Note: Pins are the solderable type and are pre-inserted into the receptacle. Strain relief clamp #073 296 needs to be ordered separately w/cord-mounted connections.

28-Pin Amphenol Plastic Connector (Size-17)

Panel-Mounted Female

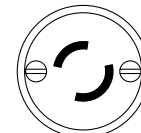


#218 715



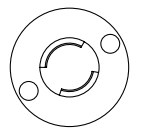
20A, 250V

Panel-Mounted Female
#039 602



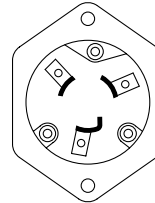
20A, 250V

Cord-Mounted Male
#039 618



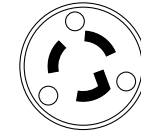
20A, 250V

Cord-Mounted Female
#039 635



15A

Panel-Mounted Male
#056 665 (N/A)



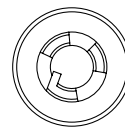
15A, 277V

Cord-Mounted Male
#039 687



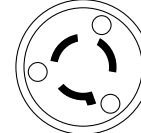
15A, 277V

Cord-Mounted Female
#056 442



15A, 277V

Panel-Mounted Female
#039 686



15A, 250V

Cord-Mounted Male
#035 494



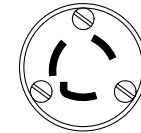
15A, 250V

Cord-Mounted Female
#035 492 (N/A)



15A, 125V

Panel-Mounted Female
#035 493 (N/A)



15A, 125V

Cord-Mounted Male
#032 898

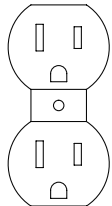


15A, 125V

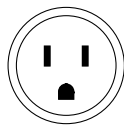
Cord-Mounted Female
#035 243 (N/A)

Connector Bodies, Plugs and Receptacles

15A, 125V Panel-Mounted Female

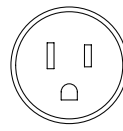


#604 176



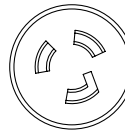
15A, 125V

Cord-Mounted Male
#073 690



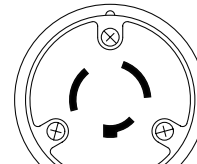
15A, 125V

Cord-Mounted Female
#124 150



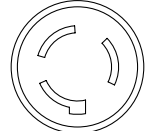
15A, 125V

Panel-Mounted Female
#032 897



20A, 125V

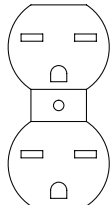
Cord-Mounted Male
#605 797



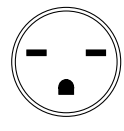
20A, 125V

Cord-Mounted Female
#080 280 (N/A)

15A, 250V Panel-Mounted Female

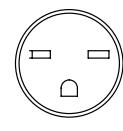


#604 103



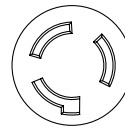
15A, 250V

Cord-Mounted Male
#025 234



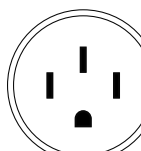
15A, 250V

Cord-Mounted Female
#603 029 (N/A)



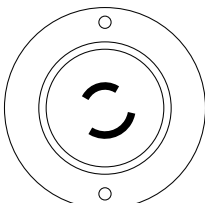
20A, 250V

Panel-Mounted Female
#039 607



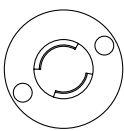
50A, 125/250V

Cord-Mounted Male
#119 172



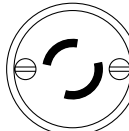
20A, 250V

Panel-Mounted Male
#141 840



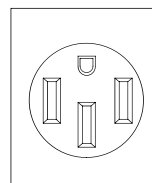
20A, 250V

Cord-Mounted Female
#039 635



20A, 250V

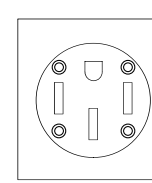
Cord-Mounted Male
#039 618



50A, 125/250V

Flanged-Mounted Female
#164 704

#117 512 (N/A)



50A, 125/250V

Cord-Mounted Female
#182 954

Cable Connectors

Cam-Lok Twistlock Receptacles/Connectors

Item #	Part #	Description	Color	Cable Capacity
		Receptacles		
1	039 628	Receptacle, Insul. (Female)	Black	No. 2/0 – 3/0 (25 – 70 mm)
	039 638	Receptacle, Insul. (Female)	Black	No. 3/0 – 4/0 (70 – 95 mm)
2	056 271	Receptacle, Uninsul. (Male)	Black	—
		Connectors		
3	039 633¹	Connector, Insul. Set Scr. (In-Line Female)	Red	No. 1/0 – 3/0 (50 – 70 mm)
4	039 629	Connector, Insul. Set Scr. (Male)	Red	No. 2 – 1/0 (35 – 50 mm)
	039 630	Connector, Insul. Set Scr. (Male)	Red	No. 1/0 – 3/0 (50 – 70 mm)
	039 639	Connector, Insul. Set Scr. (Male)	Red	No. 3/0 – 4/0 (70 – 95 mm)

¹For In-Line Connections, use with #039 629 or #039 630.

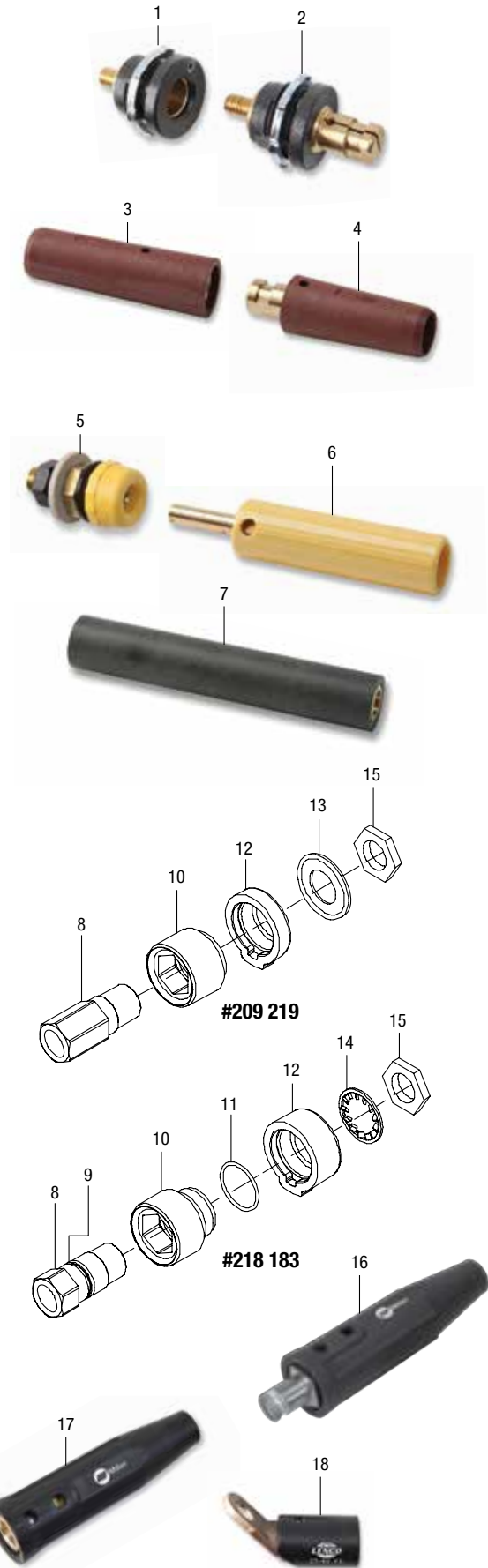
Miller Receptacles/Connectors

Item #	Part #	Description	Color	Cable Capacity
		Receptacles		
5	039 801	Receptacle, Insulated (Female)	Black	—
	039 800	Receptacle, Insulated (Female)	Red	—
	057 608	Receptacle, Insulated (Female)	Yellow	—
		Plugs		
6	039 901	Plug, Insulated (Male)	Black	No. 1 – 4
	039 608	Plug, Insulated (Male)	Red	No. 1 – 4
	039 878	Plug, Insulated (Male)	Yellow	No. 1 – 4
		Connectors		
7	039 611²	Connector, Insulated (Female)	Black	No. 1 – 4

²For In-Line Connections (Quick-Connect).

Tweco-Style Twistlock Receptacles/Connectors

Item #	Part #	Part #	Description
			Receptacles
	209 219	218 183	Receptacle Assembly (Female)
8	208 431	209 473	Receptacle, Brass (Female)
9	—	186 228	O-Ring, 0.739 ID x 0.070 H
10	—	185 712	Insulator, bulkhead front
11	—	185 718	O-Ring, 0.989 ID x 0.070 H
12	—	185 713	Insulator, bulkhead rear
13	229 338	—	Washer, domed load .812 ID x 1.450 OD x .070 THK
14	—	185 714	Tooth washer, 1 mm intern
15	185 717	185 717	Nut, M20-1.5 1.00 Hex .19 H BRS locking
			Connectors
16	191 981	191 981	Connector, Insulated (Male), No. 4 – 1/0 - 2/0 (25 – 50 mm)
17	218 677	218 677	Connector, Insulated (Female), No. 4 – 1/0 - 2/0 (25 – 50 mm)
			Adapters
18	218 678	218 678	Adapter, Threaded Stud to Tweco (stud hole dia. 5/8 in)
	242 251	—	Connector, TW LK Insulated Female (Tweco-Lenco Type) HD 3/0-4/0



Cable Connectors

Dinse™ Twistlock Receptacles (50/70 Series)

Item #	Part #	Part #	Part #	Part #	Description
	208 967	202 813	129 525	186 092	Receptacle Assembly (Female)
1	208 968 (N/A)	—	—	202 811	Receptacle, Brass with O-ring (Female) (consists of items 2 and 3)
2	185 711 (N/A)	202 553	210 752 (N/A)	202 554 (N/A)	Receptacle, Brass (Female)
3	185 710	—	—	185 710	O-Ring, 0.296 ID x 0.139 H Silicone
4	186 228	186 228	—	186 228	O-Ring, 0.739 ID x 0.070 H
5	185 712	185 712	208 760 (N/A)	185 712	Insulator, bulkhead front
6	185 718	185 718	—	185 718	O-Ring, 0.989 ID x 0.070 H
7	185 713	185 713	208 430 (N/A)	185 713	Insulator, bulkhead rear
8	—	—	229 338	—	Washer, domed load .812 ID x 1.450 OD x .070 THK
9	185 714	185 714	—	185 714	Tooth washer, 1 mm intern
10	185 717	185 717	185 717	185 717	Nut, M20-1.5 1.00 Hex .19 H BRS locking
11	—	—	229 333	—	Screw, M10-1.5x 20 Hex HD-PLN 8.8 PLD SEMS

Dinse™ Twistlock Receptacles/Connectors

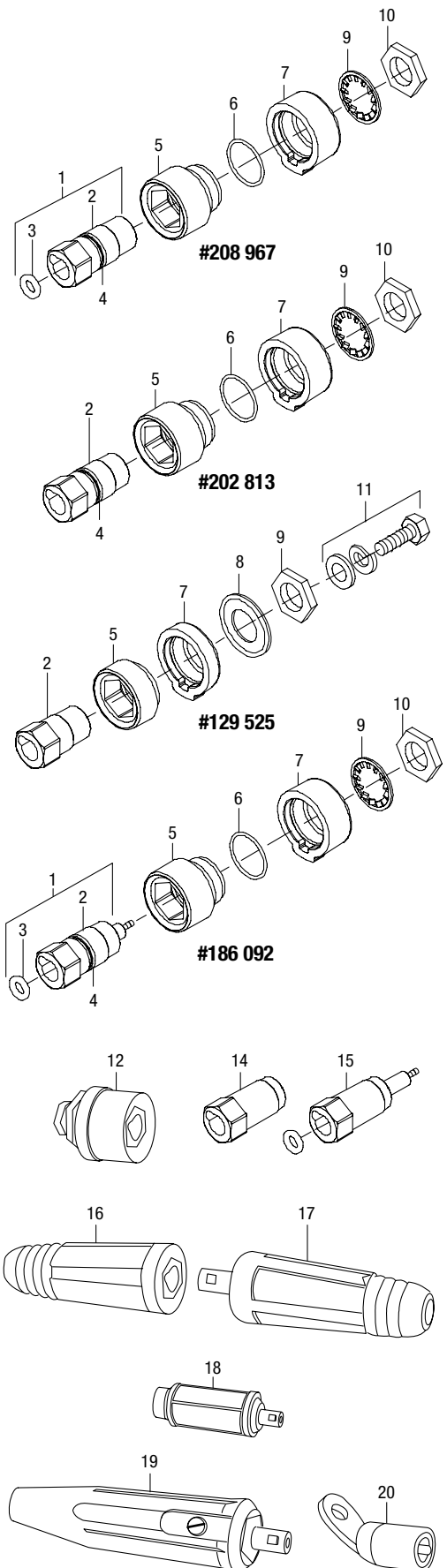
Item #	Part #	Series	Description	Cable Capacity/Thread Size
Receptacles				
12	127 837	25	Receptacle, Insulated (Female)	—
13	143 419	50	Receptacle, Insulated (Male)	—
14	208 698	25	Receptacle, Brass Power Pos. (Female)	—
15	208 699	25	Receptacle, Brass Power/Gas Neg. (Female) with O-Ring #188 380 (.174 ID x .103 H)	—
Connectors				
16	127 835	25	Connector, Insulated (Female)	No. 3 – No. 4
	129 526	50	Connector, Insulated (Female)	No. 2 – 1/0 (35 – 50 mm)
	136 600	70	Connector, Insulated (Female)	No. 1/0 – 3/0 (50 – 70 mm)
	138 180	95	Connector, Insulated (Female)	No. 3/0 – 4/0 (70 – 95 mm)
17	127 836	25	Connector, Insulated (Male)	No. 3 – No. 4
	129 527	50	Connector, Insulated (Male)	No. 2 – 1/0 (35 – 50 mm)
	134 460	70	Connector, Insulated (Male)	No. 1/0 – 3/0 (50 – 70 mm)
	241 354	95	Connector, Insulated (Male)	No. 3/0 – 4/0 (70 – 95 mm)
18	195 234	25	Connector, Insulated (Male) Flow-Thru	3/8-24R
19	194 722	50	Connector, Insulated (Male) Flow-Thru 125/150 A	3/8-24R
	194 723	50	Connector, Insulated (Male) Flow-Thru 200 A	7/8-14R
Adapters				
20	232 728	50/70	Adapter, Threaded Stud to Dinse (stud hole dia. 1/2 in)	
21	145 739		Sleeve, clamping	

Spectrum Connectors

Item #	Part #	Description
	263 801	Connector, TW LK Insulated Male (Tweco-Lenco Type) SK 10-25

Maxstar 700/Dynasty 700 Connectors

Item #	Part #	Description
Connectors		
	225 029	Connection Kit, Thread Lock Double Dry
Adapters		
	225 028	Adapter, Torch-Thread Lock Water (7/8 LHT)



Electrode Holders

Part #	Amperage Capacity	Electrode Capacity	Cable Capacity	Length	Weight
Professional Series					
PA532	200	5/32" (4.0 mm)	No. 2/0 (70 mm)	8-1/2" (215 mm)	15 oz (415 g)
PA316	250	3/16" (4.8 mm)	No. 2/0 (70 mm)	9-1/4" (235 mm)	16 oz (450 g)
PA732	300	7/32" (5.6 mm)	No. 2/0 (70 mm)	10" (250 mm)	19 oz (530 g)
PA14HD	400	1/4" (6.4 mm)	No. 4/0 (105 mm)	11" (280 mm)	23 oz (650 g)

Features include:

- Ergonomic — High lever design for greater grip and hand clearance
- Lightweight and easy-to-use
- Fully insulated, high-strength springs for excellent gripping power
- Heavy-duty, shock-proof nylon handle
- Grooved jaw design insures firm electrode grip
- High-impact, high-temperature fiberglass tip insulators
- Professional series features high copper alloy tongs, utility series features brass tongs
- Holders supplied with allen wrench and cable connections ferrule assuring efficient connections

#UT20



#UT30-
#UT40



#PA532,
#PA316,
#PA732



#PA14HD



Work Clamps

Part #	Amperage Capacity	Electrode Capacity*	Cable Capacity	Length	Weight
EG200	200	1-1/2" (40 mm)	No. 6-4 (10-16 mm)	7" (175 mm)	7 oz (199 g)
EG300	300	2" (50 mm)	No. 2-1 (25-35 mm)	8" (200 mm)	14 oz (390 g)
EG500	500	2" (50 mm)	No. 1/0-4/0 (50-105 mm)	10" (245 mm)	17 oz (490 g)
PGC200	200	1" (25 mm)	No. 1-1/0 (35-50 mm)	6" (150 mm)	16 oz (445 g)
PGC300	300	1-1/2" (40 mm)	No. 1/0-3/0 (50-95 mm)	8" (200 mm)	25 oz (715 g)
MGC300	300	—	No. 1-1/0 (35-50 mm)	—	21 oz (600 g)
203 988	180	1-1/2" (40 mm)	2" (25 mm)	7" (175 mm)	9 oz (255 g)
213 619	300	2" (50 mm)	1/0 (50 mm)	8" (200 mm)	13 oz (368 g)
010 368	200	1-1/2" (40 mm)	No. 4	6"	5 oz (142 g)
233 452	300	2" (50 mm)	No. 4-2	8"	10 oz (290 g)
240 697	200	2" (50 mm)	No. 6	6-1/4"	6 oz (168 g)

*Jaw Distance

EG Series — Steel Work Clamps

- Zinc plated
- Large hex screw cable connection assures safe cable connection every time
- Pure copper braided shunts on EG500 allows both jaws to carry welding current

PGC Series — Copper Alloy

- Contoured handle lever for easy jaw opening
- Strong gripping power
- Large contact area assures positive grounding
- Fully insulated spring
- Conductor body holds the cable securely
- Large hex screw cable connection assures safe cable connection every time

MGC Series — Magnetic Work Clamps

- Large contact area assures excellent electrical contact
- Strong gripping power
- Grounding concealed to prevent dislodgment
- Insulated to prevent annealing
- Easy installation or removal
- Most popular magnetic work clamps in the market



#EG500



#PGC300



#MGC300



#240 697



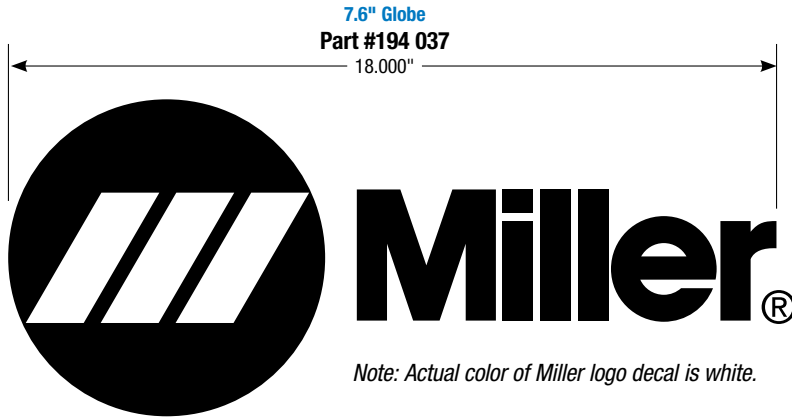
#213 619



#010 368



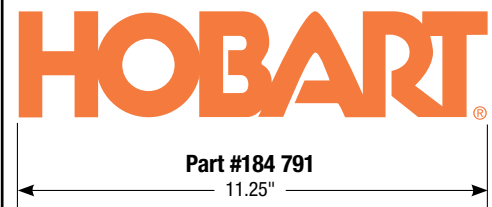
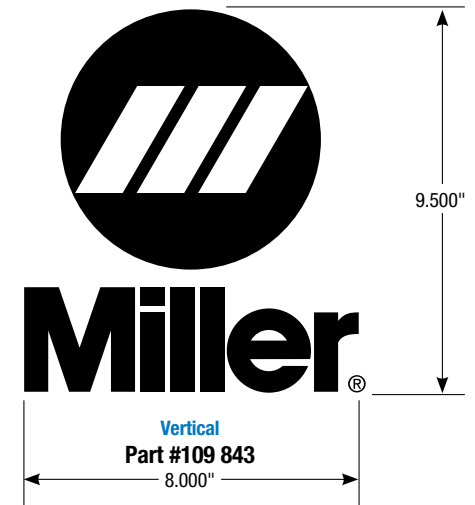
#203 988



Miller/Hobart Replacement Labels

Part #	Description	Format	Height	Width	Color
124 462	Miller	Horizontal	1.625"	3.750"	White/Blue Bkgd
109 844	Miller	Horizontal	2.500"	6.000"	White/Blue Bkgd
115 496	Miller	Horizontal	3.500"	8.250"	White/Blue Bkgd
119 503	Miller	Horizontal	4.000"	9.562"	White/Blue Bkgd
121 389	Miller	Horizontal	5.250"	12.437"	White/Blue Bkgd
194 037	Miller	Horizontal	7.600"	18.000"	White/Blue Bkgd
109 838	Miller	Vertical	1.562"	1.312"	White/Blue Bkgd
109 839	Miller	Vertical	3.000"	2.500"	White/Blue Bkgd
109 840	Miller	Vertical	4.500"	3.750"	White/Blue Bkgd
109 841	Miller	Vertical	6.000"	5.125"	White
109 842	Miller	Vertical	7.750"	6.500"	White/Blue Bkgd
109 843	Miller	Vertical	9.500"	8.000"	White
184 791	Hobart	Horizontal	2.5"	11.250"	Orange

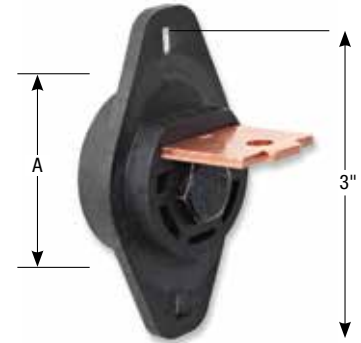
Nothing completes the repair and repaint of a machine like the addition of the original equipment factory fresh decals. Above is a complete list of the wide variety of sizes available in both the horizontal and vertical formats. For the availability of complete machine decal kits, please contact Miller Service Parts at 1-866-931-9730.



Power Terminals

Power Terminal Output Assemblies

Part #	Description	Color	Dimension A	Bolt Dimensions
	Group 1			
039 047	With Hex Nut	Red	1-7/8"	1/2" x 1-1/2"
039 046	With Hex Nut	Black	1-7/8"	1/2" x 1-1/2"
099 255	With Hex Nut	White	1-7/8"	1/2" x 1-1/2"
181 245	With Hex Nut	Red	1-7/8"	1/2" x 1-3/4"
181 246	With Hex Nut	Black	1-7/8"	1/2" x 1-3/4"
601 879	Hex Nut — Replacement	—	—	—



#039 046

Power Terminal Boots

Part #	Description	Width	Height
179 848	Rubber Boot (Positive) ¹	2" ID	3-3/4" ID
180 732	Rubber Boot (Negative) ¹	2" ID	3-3/4" ID
186 621	Rubber Boot (Generic) ¹	2" ID	3-3/4" ID
180 735	Washer, Output Stud		
181 169	Spacer, Output Stud		

¹#180 735 & #181 169 are needed for Power Terminal Boots.



#179 848

#180 732

Part #	Description	Cord Range (Min. – Max.)
219 515	50 amp, 230 volt pin-type wall receptacle	—
219 516	50 amp, 230 volt pin-type male plug	0 – 1.00
213 380	50 amp, 230 volt pin-type male plug (heavy-duty)	0.625 – 1.320
219 535	50 amp, 230 volt pin-type cord-mount receptacle	0.425 – 1.31
119 172	50 amp, 125/250 volt pin-type male plug	0.62 – 1.31
254 140	Plug, str grd 3P4W 3PH 50A 240V 15-50P	—



#219 515

#219 516



#254 140

#219 535

#119 172

TRUE BLUE[®]

WARRANTY

LIMITED WARRANTY – Subject to the terms and conditions below, Miller Electric Mfg. Co., Appleton, Wisconsin, warrants to its original retail purchaser that new Miller equipment sold after the effective date of this limited warranty is free of defects in material and workmanship at EXPRESSLY IN OR IMPLIED, INCLUDING THE WARRANTIES OF MERCHANTABILITY AND FITNESS.

Within the warranty periods listed below, Miller will repair or replace any warranted parts or components that fail due to such defects in material or workmanship. Miller must be notified in writing within thirty (30) days of such defect or failure, at which time Miller will provide instructions on the warranty claim procedures to be followed.

Miller shall honor warranty claims on warranted equipment listed below in the event of such a failure within the warranty time periods. All warranty time periods start on the delivery date of the equipment to the original end-user purchaser, after the equipment is shipped to a North American distributor or eighteen months after the equipment is shipped to an International distributor.

- 1. 3 Years — Parts and Labor**
 - * Auto-Darkening Helmet Lenses (Except Classic Series) (No Labor)
- 2. 2 Years — Parts and Labor**
 - * Auto-Darkening Helmet Lenses – Classic Series Only (No Labor)
- 3. 1 Year — Parts and Labor Unless Specified**
 - * CoolBelt and CoolBand Blower Unit (No Labor)
 - * ICE/XT Plasma Cutting Torches (No Labor)
 - * PAPER Blower Unit (No Labor)
- 4. 6 Months — Parts**
 - * Batteries
 - * Bernard Guns (No Labor)
- 5. 90 Days — Parts**
 - * M-Guns
 - * MIG Guns and Subarc (SAW) Guns
 - * Replacement Parts (No labor)
 - * Roughneck Guns

Miller's True Blue[®] Limited Warranty shall not apply to:

1. Consumable components; such as contact tips, cutting nozzles, contactors, brushes, relays, work station table tops and welding curtains, or parts that fail due to normal wear. (Exception: brushes and relays are covered on all engine-driven products.)
2. Items furnished by Miller, but manufactured by others, such as engines or trade accessories. These items are covered by the manufacturer's warranty, if any.
3. Equipment that has been modified by any party other than Miller, or equipment that has been improperly installed, improperly operated or misused based upon industry standards, or equipment which has not had reasonable and necessary maintenance, or equipment which has been used for operation outside of the specifications for the equipment.

MILLER PRODUCTS ARE INTENDED FOR PURCHASE AND USE BY COMMERCIAL/INDUSTRIAL USERS AND PERSONS TRAINED AND EXPERIENCED IN THE USE AND MAINTENANCE OF WELDING EQUIPMENT.

In the event of a warranty claim covered by this warranty, the exclusive remedies shall be, at Miller's option: (1) repair; or (2) replacement; or, where authorized in writing by Miller in appropriate cases, (3) the reasonable cost of repair or replacement at an authorized Miller service station; or (4) payment of or credit for the purchase price (less reasonable depreciation based upon actual use) upon return of the goods at customer's risk and expense. Miller's option of repair or replacement will be F.O.B., Factory at Appleton, Wisconsin, or F.O.B. at a Miller authorized service facility as determined by Miller. Therefore no compensation or reimbursement for transportation costs of any kind will be allowed.

TO THE EXTENT PERMITTED BY LAW, THE REMEDIES PROVIDED HEREIN ARE THE SOLE AND EXCLUSIVE REMEDIES. IN NO EVENT SHALL MILLER BE LIABLE FOR DIRECT, INDIRECT, SPECIAL, INCIDENTAL OR CONSEQUENTIAL DAMAGES (INCLUDING LOSS OF PROFIT), WHETHER BASED ON CONTRACT, TORT OR ANY OTHER LEGAL THEORY.

ANY EXPRESS WARRANTY NOT PROVIDED HEREIN AND ANY IMPLIED WARRANTY, GUARANTY OR REPRESENTATION AS TO PERFORMANCE, AND ANY REMEDY FOR BREACH OF CONTRACT TORT OR ANY OTHER LEGAL THEORY WHICH, BUT FOR THIS PROVISION, MIGHT ARISE BY IMPLICATION, OPERATION OF LAW, CUSTOM OF TRADE OR COURSE OF DEALING, INCLUDING ANY IMPLIED WARRANTY OF MERCHANTABILITY OR FITNESS FOR PARTICULAR PURPOSE, WITH RESPECT TO ANY AND ALL EQUIPMENT FURNISHED BY MILLER IS EXCLUDED AND DISCLAIMED BY MILLER.

Some states in the U.S.A. do not allow limitations of how long an implied warranty lasts, or the exclusion of incidental, indirect, special or consequential damages, so the above limitation or exclusion may not apply to you. This warranty provides specific legal rights, and other rights may be available, but may vary from state to state.

In Canada, legislation in some provinces provides for certain additional warranties or remedies other than as stated herein, and to the extent that they may not be waived, the limitations and exclusions set out above may not apply. This Limited Warranty provides specific legal rights, and other rights may be available, but may vary from province to province.

WARRANTY QUESTIONS?

Call 1-866-931-9730 for your local Miller distributor.

Your distributor also gives you...

Service - You always get the fast, reliable response you need. Most replacement parts can be in your hands in 24 hours.

Support - Need fast answers to the tough welding questions? Contact your distributor. The expertise of the distributor and Miller is there to help you, every step of the way.



Finding the right parts and consumables has never been easier since the introduction of Genuine Select; the Parts and Consumables page on Millerwelds.com. Think of it as the online companion to the Welding Components and Parts Guide. This online tool allows you and your customers to quickly determine what consumables are used on their Miller equipment. It even lets your customers select their desired consumables and print the page to bring into the store and hand to your sales people. Check it out at <http://www.millerwelds.com/parts/>. This is just another way Miller is trying to make your job easier!



Extranet <https://partners.itwwelds.com>

The Distributor Extranet, located at <https://partners.itwwelds.com>, is a secure, private website that offers personalized information to Miller distributors. It gives distributors the ability to check order status, track shipments, or check price and availability, whenever it is convenient — 24 hours a day, 7 days a week. It also provides access to product Specification Sheets, new product information, and gives you the ability to order Spec Sheets and sales tools online.



Because much of what you'll find at this site applies specifically to your company, a username and password are required to gain access. Controlled access to this

information is very important for Miller and the distributor, which is why a formal "enrollment process" is required.







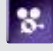





On-Line Enrollment Process

Distributor management visit <https://partners.itwwelds.com> and click on "Register now," and you will be able to establish a Web Access Coordinator (WAC) for your business. When approved, the WAC will have the ability to enable access for all other employees within the distributorship that you wish to have access.

On-Line Service Parts Ordering

Once you're business is enrolled on the Extranet, you'll have the added convenience of placing your Miller Service Parts orders online. Contact your Web Access Coordinator to enable this feature. Then you'll be able to link to it from the "Sales Navigation."

Vol. Parts 2015

4		Welding Protection Head and Face 4 Heat Stress and Respiratory 7
10		MIG Guns Miller MIG Gun/Machine Reference 10 M-Series MIG Gun Parts/Consumables 11 MIG Bulk Consumables 14 Roughneck MIG Gun Parts/Consumables 15 Bernard MIG Gun Parts/Consumables 17 Pipeworx MIG Gun Parts/Consumables 22 Pipepro Dura-Flux XC Parts/Consumables 24 Bernard MIG S-Gun Parts/Consumables 25 Bernard Dura-Flux Parts/Consumables 26 Ironmate Flux Cored Gun Parts/Consumables 27 Hobart MIG Gun/Machine Reference 30 Hobart MIG Gun Parts/ Reference 30 Milleromatic Service Parts 34
35		Spool Guns Miller Spool Gun Parts/Consumables 35
46		Drive Rolls Miller Drive Rolls, Guides and Kits 46 Hobart Drive Rolls, Guides and Kits 50
51		Submerged Arc Torch Parts/Consumables 51
55		Plasma Cutting Plasma Torches/Machine Reference 55 XT Torch Parts/Consumables 57 ICE Torch Parts/Consumables 60 HP Torch Parts/Consumables 72
51		Gas Equipment Hose Fittings 73 Pressure Gauges & Filters 73 Gas Hoses 74 Repair Parts 76 Smith Equipment 77
83		Engine Drives Portable Engine Drive Service Parts 83 Portable Engine Drive Tune-Up Components 84 Industrial Engine Drive Tune-Up Kit Components 88 Industrial Engine Drive Service Parts 90
91		Spot Welders Tongs and Tips 91
93		TIG Torches TIG Connectors 93 Weldcraft TIG Torch Parts/Consumables 94
115		Welding Related Products Paint/Scrubs/Welpers 115
116		Service Parts Connectors/Plugs/Receptacles 116 Cable Connectors 118 Electrode Holders/Work Clamps 120 Labels 121 Power Terminal Parts/Receptacles and Plugs 122 True Blue Warranty 123

MillerWelds.com

Distributed By:

